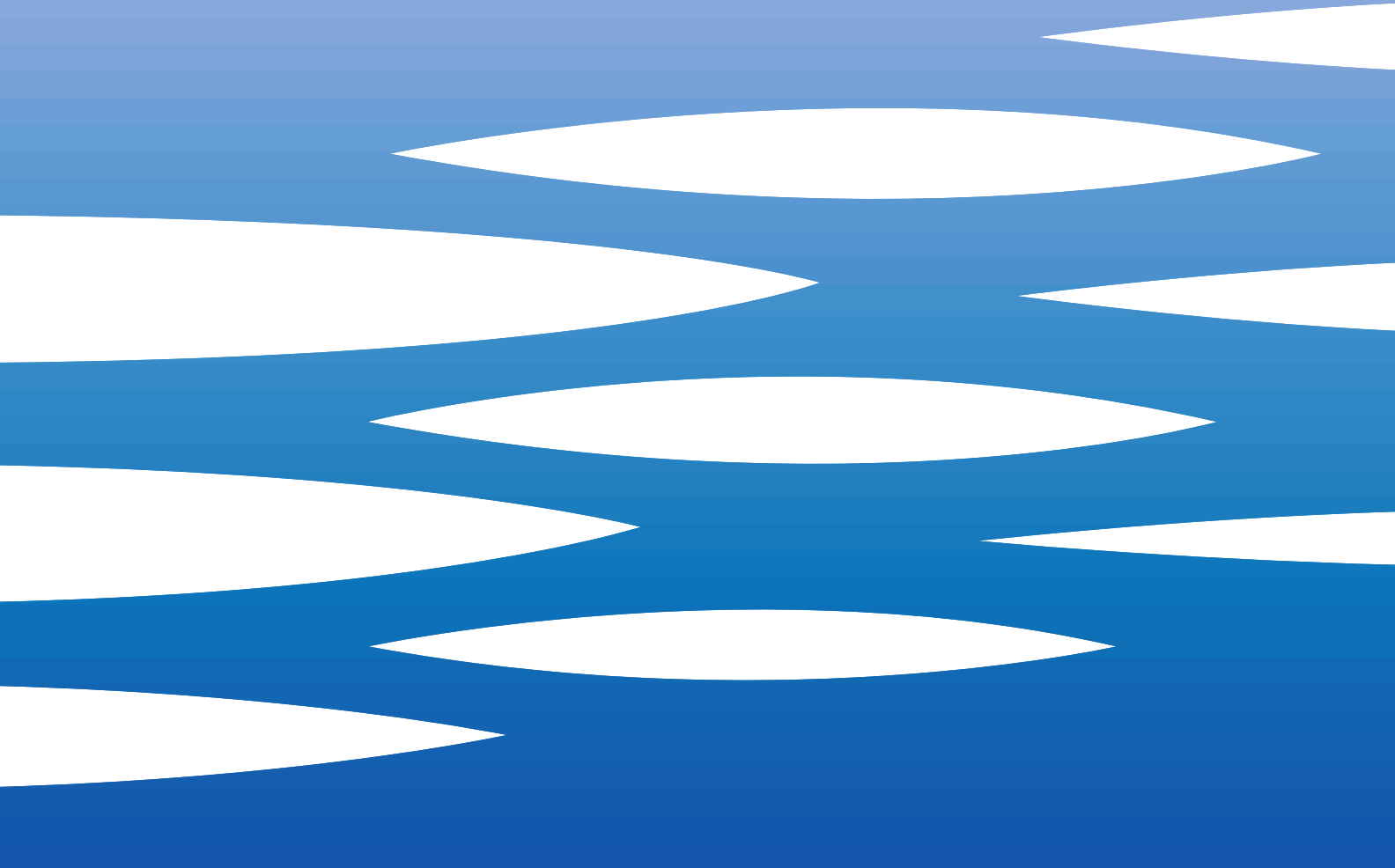


**EBARA**



**CONTENTS**

50 Hz

Rev. E

|                                                             | <b>Page</b> |
|-------------------------------------------------------------|-------------|
| <b>- SPECIFICATIONS</b>                                     | <b>200</b>  |
| DS SPECIFICATIONS                                           | 200         |
| DSF SPECIFICATIONS                                          | 201         |
| DVS SPECIFICATIONS                                          | 202         |
| DL SPECIFICATIONS                                           | 203         |
| DL W/C SPECIFICATIONS                                       | 204         |
| DML SPECIFICATIONS                                          | 205         |
| DMLF SPECIFICATIONS                                         | 206         |
| DMLV SPECIFICATIONS                                         | 207         |
| DMLVF SPECIFICATIONS                                        | 208         |
| DRS SPECIFICATIONS (40DRS)                                  | 209         |
| DRS SPECIFICATIONS (65DRS)                                  | 210         |
| DRD SPECIFICATIONS (65-80DRD)                               | 211         |
| DRD SPECIFICATIONS (100DRD)                                 | 212         |
| DRD SPECIFICATIONS (150DRD)                                 | 213         |
| DRD SPECIFICATIONS (200DRD)                                 | 214         |
| DRD SPECIFICATIONS (250DRD)                                 | 215         |
| DRD SPECIFICATIONS (300DRD)                                 | 216         |
| DRD SPECIFICATIONS (350DRD)                                 | 217         |
| SELECTION CHART DS-DSF                                      | 218         |
| SELECTION CHART DVS                                         | 219         |
| SELECTION CHART 65DL, 80DL                                  | 220         |
| SELECTION CHART 100DL                                       | 221         |
| SELECTION CHART 150DL                                       | 222         |
| SELECTION CHART 200DL                                       | 223         |
| SELECTION CHART 250DL                                       | 224         |
| SELECTION CHART 300DL                                       | 225         |
| SELECTION CHART DL W/C                                      | 226         |
| SELECTION CHART 80DML                                       | 227         |
| SELECTION CHART 100DML                                      | 228         |
| SELECTION CHART 150DML                                      | 229         |
| SELECTION CHART 50-65DMLF                                   | 230         |
| SELECTION CHART 40-50-65 DMLVF                              | 231         |
| SELECTION CHART 80 DMLV – 80 DMLVF                          | 232         |
| SELECTION CHART 100 DMLV - 100DMLVF                         | 233         |
| SELECTION CHART 40 DRSA (M)                                 | 234         |
| SELECTION CHART 40 DRSA                                     | 234/1       |
| SELECTION CHART 65 DRSA                                     | 235         |
| SELECTION CHART 65-80 DRD                                   | 236         |
| SELECTION CHART 100 DRD                                     | 237         |
| SELECTION CHART 150 DRD                                     | 238         |
| SELECTION CHART 200 DRD                                     | 239         |
| SELECTION CHART 250 DRD                                     | 240         |
| SELECTION CHART 300 DRD                                     | 241         |
| SELECTION CHART 350 DRD                                     | 242         |
| TYPE KEY AND CURVE SPECIFICATIONS                           | 243         |
| PERFORMANCE CURVE 50DS(51.5, 52.2, 53.7)                    | 244         |
| PERFORMANCE CURVE 65DS51.5                                  | 245         |
| PERFORMANCE CURVE 80DS(52.2, 53.7)                          | 246         |
| PERFORMANCE CURVE 100DS(55.5, 57.5)                         | 247         |
| PERFORMANCE CURVE 40DSF51.5M2CG; 40DSF51.9M2AG; 40DSF56T2AG | 248         |
| PERFORMANCE CURVE 50DVS51.5                                 | 249         |

**100**

**CONTENTS**

50 Hz

Rev. E

|                                                                                |       |
|--------------------------------------------------------------------------------|-------|
| PERFORMANCE CURVE (80)65DVS(51.5, 52.2, 53.7)                                  | 250   |
| PERFORMANCE CURVE 65DL51.5                                                     | 251   |
| PERFORMANCE CURVE 80DL(51.5, 52.2, 53.7), 80DLC(55.5, 57.5)                    | 252   |
| PERFORMANCE CURVE 100DL53.7, 100DLB(55.5, 57.5), 100DL(511, 515, 518.5)        | 253   |
| PERFORMANCE CURVE 100DLC(55.5, 57.5)                                           | 254   |
| PERFORMANCE CURVE 150DL(55.5, 57.5, 511, 515, 518.5, 522)                      | 255   |
| PERFORMANCE CURVE 150DL(530, 537, 545)                                         | 255/1 |
| PERFORMANCE CURVE 200DL(55.5, 57.5, 511, 515, 518.5, 522)                      | 256   |
| PERFORMANCE CURVE 200DL(530, 537, 545)                                         | 256/1 |
| PERFORMANCE CURVE 250DL(57.5, 511, 515, 518.5, 522)                            | 257   |
| PERFORMANCE CURVE 250DL(530, 537, 545)                                         | 257/1 |
| PERFORMANCE CURVE 300DL(511, 515, 518.5, 522)                                  | 258   |
| PERFORMANCE CURVE 300DL(530, 537, 545)                                         | 258/1 |
| PERFORMANCE CURVE 65DL51.5W/C                                                  | 259   |
| PERFORMANCE CURVE 80DL(51.5, 52.2, 53.7)W/C                                    | 260   |
| PERFORMANCE CURVE 100DL53.7W/C, 100DLB(55.5, 57.5)W/C                          | 261   |
| PERFORMANCE CURVE 80DML52.2                                                    | 262   |
| PERFORMANCE CURVE 80DML53.7                                                    | 261/1 |
| PERFORMANCE CURVE 100DML53.7                                                   | 263   |
| PERFORMANCE CURVE 100DML55.5                                                   | 263/1 |
| PERFORMANCE CURVE 100DML57.5                                                   | 263/2 |
| PERFORMANCE CURVE 100DML511                                                    | 263/3 |
| PERFORMANCE CURVE 100DML515                                                    | 263/4 |
| PERFORMANCE CURVE 100DML522                                                    | 263/5 |
| PERFORMANCE CURVE 150DML55.5                                                   | 264   |
| PERFORMANCE CURVE 150DML57.5                                                   | 264/1 |
| PERFORMANCE CURVE 150DML511                                                    | 264/2 |
| PERFORMANCE CURVE 150DML515                                                    | 264/3 |
| PERFORMANCE CURVE 150DML522                                                    | 264/4 |
| PERFORMANCE CURVE 50DMLF51.4M2BG                                               | 265   |
| PERFORMANCE CURVE 65DMLF51.5M2AG; 65DMLF51.9M2BG                               | 266   |
| PERFORMANCE CURVE 80DMLV52.2                                                   | 267   |
| PERFORMANCE CURVE 80DMLV53.7                                                   | 267/1 |
| PERFORMANCE CURVE 100DMLV55.5                                                  | 268   |
| PERFORMANCE CURVE 100DMLV57.5                                                  | 268/1 |
| PERFORMANCE CURVE 100DMLV511                                                   | 268/2 |
| PERFORMANCE CURVE 100DMLV515                                                   | 268/3 |
| PERFORMANCE CURVE 100DMLV522                                                   | 268/4 |
| PERFORMANCE CURVE 40DMLVF50.5M2AG                                              | 269   |
| PERFORMANCE CURVE 50DMLVF51.5M2CG; 50DMLVF51.5M2BG; 50DMLVF51.9M2AG            | 270   |
| PERFORMANCE CURVE 65DMLVF51.5M2CG                                              | 271   |
| PERFORMANCE CURVE 80DMLVF54.9T4AG                                              | 272   |
| PERFORMANCE CURVE 80DMLVF516.6T2BG; 80DMLVF518.2T2DG                           | 272/1 |
| PERFORMANCE CURVE 100DMLVF55.2T6BG                                             | 273   |
| PERFORMANCE CURVE 40DRS51.1M2CG; 40DRS51.1M2BG; 40DRS51.1M2AG                  | 274   |
| PERFORMANCE CURVE 40DRS51.2M2CG; 40DRS51.5M2BG; 40DRS51.9M2AG                  | 274/1 |
| PERFORMANCE CURVE 40DRS51.1T2CG; 40DRS51.1T2BG                                 | 274/2 |
| PERFORMANCE CURVE 40DRS51.4T2AG; 40DRS51.6T2CG; 40DRS51.6T2BG                  | 274/3 |
| PERFORMANCE CURVE 40DRS52.4T2AG; 40DRS53.1T2BG; 40DRS53.1T2AG                  | 274/4 |
| PERFORMANCE CURVE 40DRS54.2T2CG; 40DRS55T2BG; 40DRS55T2AG                      | 274/5 |
| PERFORMANCE CURVE 65DRS57.5T2BG; 65DRS56.5T2CG                                 | 275   |
| PERFORMANCE CURVE 65DRS59T2DG; 65DRS511T2CG; 65DRS513.8T2BG; 65DRS513.8T2AG    | 275/1 |
| PERFORMANCE CURVE 65DRS514.9T2GG; 65DRS520T2BG; 65DRS522.4T2AG; 65DRS525.1T2AG | 275/2 |

## CONTENTS

50 Hz

Rev. E

|                                                                                                                                                                                                          |            |
|----------------------------------------------------------------------------------------------------------------------------------------------------------------------------------------------------------|------------|
| PERFORMANCE CURVE 65DRD53.1T2CG; 65DRD53.6T2BG                                                                                                                                                           | 275/3      |
| PERFORMANCE CURVE 80DRD55T2BG; 80DRD56T2AG; 80DRD57.5T2AG                                                                                                                                                | 276        |
| PERFORMANCE CURVE 100DRD52.7T6AG; 100DRD52.8T6AG                                                                                                                                                         | 277        |
| PERFORMANCE CURVE 100DRD54.6T4CG; 100DRD54.6T4BG                                                                                                                                                         | 277/1      |
| PERFORMANCE CURVE 100DRD57.1T4BG; 100DRD57.5T4FG; 100DRD510T4FG; 100DRD510T4AG                                                                                                                           | 277/2      |
| PERFORMANCE CURVE 100DRD512T2DG; 100DRD514.9T2CG; 100DRD516.6T2BG                                                                                                                                        | 277/3      |
| PERFORMANCE CURVE 100DRD518.2T2AG; 100DRD520T2AG                                                                                                                                                         | 277/4      |
| PERFORMANCE CURVE 150DRD540.2T2BG; 150DRD552T2CG                                                                                                                                                         | 278        |
| PERFORMANCE CURVE 150DRD56T6CG; 150DRD58T6BG; 150DRD512T6AG; 150DRD514T6BG                                                                                                                               | 278/1      |
| PERFORMANCE CURVE 150DRD523T4CG; 150DRD527T4BG; 150DRD527T4AG                                                                                                                                            | 278/2      |
| PERFORMANCE CURVE 150DRD530T4BG; 150DRD530.1T4BG                                                                                                                                                         | 278/3      |
| PERFORMANCE CURVE 150DRD535T2AG                                                                                                                                                                          | 278/4      |
| PERFORMANCE CURVE 150DRD535.7T4EG; 150DRD535.7T4AG; 150DRD541T4AG                                                                                                                                        | 278/5      |
| PERFORMANCE CURVE 150DRD560T4GG; 150DRD575T4CG; 150DRD580T4BG; 150DRD580T4AG                                                                                                                             | 278/6      |
| PERFORMANCE CURVE 200DRD56T8AG; 200DRD56.2T8CG; 200DRD58T8AG                                                                                                                                             | 279        |
| PERFORMANCE CURVE 200DRD59.3T8CG; 200DRD59.3T8BG                                                                                                                                                         | 279/1      |
| PERFORMANCE CURVE 200DRD59.8T6CG; 200DRD514T6BG; 200DRD514T6AG                                                                                                                                           | 279/2      |
| PERFORMANCE CURVE 200DRD515.8T6CG; 200DRD518.9T6BG; 200DRD523T6AG                                                                                                                                        | 279/3      |
| PERFORMANCE CURVE 200DRD540T4CG; 200DRD544T4BG; 200DRD548T4AG                                                                                                                                            | 279/4      |
| PERFORMANCE CURVE 250DRD512.4T8DG; 250DRD517.1T8CG; 250DRD519T8AG                                                                                                                                        | 280        |
| PERFORMANCE CURVE 250DRD515T4AG                                                                                                                                                                          | 280/1      |
| PERFORMANCE CURVE 250DRD523T6DG; 250DRD529T6CG; 250DRD539.2T6BG;<br>250DRD539.2T6AG                                                                                                                      | 280/2      |
| PERFORMANCE CURVE 250DRD565T4DG; 250DRD575T4CG; 250DRD575T4BG; 250DRD585T4AG                                                                                                                             | 280/3      |
| PERFORMANCE CURVE 300DRD521.8T8BG; 300DRD526.7T8CG                                                                                                                                                       | 281        |
| PERFORMANCE CURVE 300DRD533.4T6DG; 300DRD539.2T6CG; 300DRD555.8T6BG;<br>300DRD565T6AG                                                                                                                    | 281/1      |
| PERFORMANCE CURVE 350DRD540T8CG; 350DRD545T8AG                                                                                                                                                           | 282        |
| <b>- CONSTRUCTIONS</b>                                                                                                                                                                                   | <b>300</b> |
| SECTIONAL VIEW 50DS (1.5 kW)                                                                                                                                                                             | 300        |
| SECTIONAL VIEW 65DS (1.5 kW)                                                                                                                                                                             | 301        |
| SECTIONAL VIEW 50(80)DS (2.2, 3.7 kW), 100DS (5.5, 7.5 kW)                                                                                                                                               | 302        |
| SECTIONAL VIEW 40DSF (1.5÷1.9 kW)                                                                                                                                                                        | 303        |
| SECTIONAL VIEW 40DSF (6.0 kW)                                                                                                                                                                            | 303/1      |
| SECTIONAL VIEW 50DVS (1.5 kW)                                                                                                                                                                            | 304        |
| SECTIONAL VIEW 65(80)DVS (1.5 kW)                                                                                                                                                                        | 305        |
| SECTIONAL VIEW 65(80)DVS (2.2, 3.7 kW)                                                                                                                                                                   | 305/1      |
| SECTIONAL VIEW 65DL (1.5 kW), 80DL (1.5÷3.7 kW), 100DL (3.7 kW),<br>SECTIONAL VIEW 80DL (5.5÷7.5 kW), 100DL (5.5÷18.5 kW), 150DL (5.5÷45 kW),<br>200DL (5.5÷45 kW), 250DL (7.5÷45 kW), 300DL (11÷45 kW), | 307        |
| SECTIONAL VIEW 150DL (30÷45 kW), 200DL (30÷45 kW), 250DL (30÷45 kW), 300DL (30÷45 kW)                                                                                                                    | 308        |
| SECTIONAL VIEW 80DML (2.2 kW)                                                                                                                                                                            | 309        |
| SECTIONAL VIEW 80DML (3.7 kW), 100DML, 150DML (3.7÷7.5 kW)                                                                                                                                               | 309/1      |
| SECTIONAL VIEW 100DML, 150DML (3.7÷7.5 kW)                                                                                                                                                               | 310        |
| SECTIONAL VIEW 50DMLF (1.4 kW)                                                                                                                                                                           | 311        |
| SECTIONAL VIEW 65DMLF (1.5 kW)                                                                                                                                                                           | 312        |
| SECTIONAL VIEW 65DMLF (1.9 kW)                                                                                                                                                                           | 312/1      |
| SECTIONAL VIEW 80DMLV (2.2 kW)                                                                                                                                                                           | 313        |
| SECTIONAL VIEW 80DMLV (3.7 kW), 100DMLV (3.7÷5.5 kW)                                                                                                                                                     | 313/1      |
| SECTIONAL VIEW 100DMLV (11÷22 kW)                                                                                                                                                                        | 314        |
| SECTIONAL VIEW 40DMLVF (0.5 kW)                                                                                                                                                                          | 315        |
| SECTIONAL VIEW 50DMLVF (1.5÷.9 kW)                                                                                                                                                                       | 316        |

102

**CONTENTS**

50 Hz

Rev. E

|                                                               |            |
|---------------------------------------------------------------|------------|
| SECTIONAL VIEW 65DMLVF (1.5 kW)                               | 317        |
| SECTIONAL VIEW 80DMLVF (4.9 kW)                               | 318        |
| SECTIONAL VIEW 80DMLVF (16.6 kW)                              | 318/1      |
| SECTIONAL VIEW 80DMLVF (18.2 kW)                              | 318/2      |
| SECTIONAL VIEW 100DMLVF (5.2 kW)                              | 319        |
| SECTIONAL VIEW 40DRS (1.1÷5.0 kW)                             | 320        |
| SECTIONAL VIEW 65DRS (6.5÷25.1 kW)                            | 321        |
| SECTIONAL VIEW 65DRD (3.1÷3.6 kW)                             | 322        |
| SECTIONAL VIEW 80DRS (5.0÷7.5 kW)                             | 323        |
| SECTIONAL VIEW 100DRD (2.7÷20.0 kW)                           | 324        |
| SECTIONAL VIEW 150DRD (6.0÷80.0 kW)                           | 325        |
| SECTIONAL VIEW 200DRD (6.0÷48.0 kW)                           | 326        |
| SECTIONAL VIEW 250DRD (12.4÷85.0 kW)                          | 327        |
| SECTIONAL VIEW 300DRD (21.8÷65.0 kW)                          | 328        |
| SECTIONAL VIEW 350DRD (40.0÷45.0 kW)                          | 329        |
| SECTIONAL VIEW QDC LS50                                       | 330        |
| SECTIONAL VIEW QDC LM50, LM65, LM80                           | 332        |
| SECTIONAL VIEW QDC LL80, LL100                                | 333        |
| SECTIONAL VIEW QDC LL125, LL150                               | 334        |
| SECTIONAL VIEW QDC LL250, 300                                 | 335        |
| MECHANICAL SEALS TYPE A(20÷45), EAN(30÷45)                    | 336        |
| MECHANICAL SEALS TYPE EAN-60                                  | 337        |
| MECHANICAL SEALS TYPE IEC 63 – IEC 72-71                      | 338        |
| MECHANICAL SEALS TYPE IEC 90-100-112-132 AND GM17-18-19-30-37 | 339        |
| MECHANICAL SEALS TYPE IEC 160-180-200-250                     | 340        |
| MECHANICAL SEALS & BALL BEARINGS TABLE                        | 341        |
| <b>- DIMENSIONS AND WEIGHT</b>                                | <b>400</b> |
| DIMENSIONS 50DS                                               | 400        |
| DIMENSIONS DS WITH QDC (1.5÷3.7 kW)                           | 401        |
| DIMENSIONS DS WITH QDC (5.5÷7.5 kW)                           | 401/1      |
| DIMENSIONS 40DSF/40DSF WITH QDC (1.5÷1.9 kW)                  | 402        |
| DIMENSIONS 40DSF/40DSF WITH QDC (6.0 kW)                      | 404        |
| DIMENSIONS DVS                                                | 406        |
| DIMENSIONS DVS WITH QDC                                       | 407        |
| DIMENSIONS DL                                                 | 408        |
| DIMENSIONS 65DL, 80DL (1.5÷3.7 kW) WITH QDC                   | 409        |
| DIMENSIONS 80DL (5.5÷7.5), 100DL WITH QDC                     | 410        |
| DIMENSIONS 150DL, 200DL WITH QDC                              | 411        |
| DIMENSIONS 250DL, 300DL WITH QDC                              | 412        |
| DIMENSIONS DL W/C                                             | 413        |
| DIMENSIONS 65DL W/C, 80DL W/C (1.5÷3.7 kW) WITH QDC           | 414        |
| DIMENSIONS 100DL W/C WITH QDC                                 | 415        |
| DIMENSIONS DML                                                | 416        |
| DIMENSIONS 80DML, 100DML (3.7÷5.5 kW) WITH QDC                | 417        |
| DIMENSIONS 100DML, 150DML WITH QDC                            | 418        |
| DIMENSIONS 50DMLF/50DMLF WITH QDC (1.4 kW)                    | 419        |
| DIMENSIONS 65DMLF/65DMLF WITH QDC (1.5÷1.9 kW)                | 421        |
| DIMENSIONS DMLV                                               | 423        |
| DIMENSIONS 80DMLV WITH QDC                                    | 424        |
| DIMENSIONS 100DMLV WITH QDC                                   | 425        |
| DIMENSIONS 40DMLVF (0.5 kW)                                   | 426        |
| DIMENSIONS 50DMLVF/50DMLVF WITH QDC (1.5÷1.9 kW)              | 427        |

**103**

## CONTENTS

50 Hz

Rev. E

|                                                  |            |
|--------------------------------------------------|------------|
| DIMENSIONS 65DMLVF/65DMLVF WITH QDC (1.5 kW)     | 429        |
| DIMENSIONS 80DMLVF/80DMLVF WITH QDC (4.9 kW)     | 431        |
| DIMENSIONS 80DMLVF/80DMLVF WITH QDC (16.6 kW)    | 433        |
| DIMENSIONS 80 DMLVF/80DMLVF WITH QDC (18.2 kW)   | 435        |
| DIMENSIONS 100 DMLVF/100DMLVF WITH QDC (5.2 kW)  | 437        |
| DIMENSIONS 40DRS/40DRS WITH QDC (1.1 kW)         | 439        |
| DIMENSIONS 40DRS/40DRS WITH QDC (1.1÷1.9 kW)     | 440        |
| DIMENSIONS 40DRS/40DRS WITH QDC (1.1÷1.4 kW)     | 441        |
| DIMENSIONS 40DRS/40DRS WITH QDC (1.6÷2.4 kW)     | 442        |
| DIMENSIONS 40DRS/40DRS WITH QDC (3.1 kW)         | 443        |
| DIMENSIONS 40DRS/40DRS WITH QDC (4.2÷5.0 kW)     | 444        |
| DIMENSIONS 65DRS/65DRS WITH QDC (6.5÷7.5 kW)     | 445        |
| DIMENSIONS 65DRS/65DRS WITH QDC (9.0 ÷14.9 kW)   | 446        |
| DIMENSIONS 65DRS/65DRS WITH QDC (20.0÷25.1 kW)   | 447        |
| DIMENSIONS 65DRD/65DRD WITH QDC (3.1÷3.6 kW)     | 448        |
| DIMENSIONS 80DRD/80DRD WITH QDC (5.0÷6.0 kW)     | 449        |
| DIMENSIONS 80DRD/80DRD WITH QDC (7.5 kW)         | 450        |
| DIMENSIONS 100DRD/100DRD WITH QDC (2.7 kW)       | 451        |
| DIMENSIONS 100DRD/100DRD WITH QDC (2.8÷4.6 kW)   | 452        |
| DIMENSIONS 100DRD/100DRD WITH QDC (7.1÷7.5 kW)   | 453        |
| DIMENSIONS 100DRD/100DRD WITH QDC (10.0 kW)      | 454        |
| DIMENSIONS 100DRD/100DRD WITH QDC (12.0÷18.2 kW) | 455        |
| DIMENSIONS 100DRD/100DRD WITH QDC (20.0 kW)      | 456        |
| DIMENSIONS 150DRD/150DRD WITH QDC (6.0 kW)       | 457        |
| DIMENSIONS 150DRD/150DRD WITH QDC (8.0 kW)       | 458        |
| DIMENSIONS 150DRD/150DRD WITH QDC (12.0÷14.0 kW) | 459        |
| DIMENSIONS 150DRD/150DRD WITH QDC (23.0÷27.0 kW) | 460        |
| DIMENSIONS 150DRD/150DRD WITH QDC (30.0÷41.0 kW) | 461        |
| DIMENSIONS 150DRD/150DRD WITH QDC (35.0÷52.0 kW) | 462        |
| DIMENSIONS 150DRD/150DRD WITH QDC (60 kW)        | 463        |
| DIMENSIONS 150DRD/150DRD WITH QDC (75.0÷80.0 kW) | 464        |
| DIMENSIONS 200DRD/200DRD WITH QDC (6.0÷23.0 kW)  | 465        |
| DIMENSIONS 200DRD/200DRD WITH QDC (6.2÷9.8 kW)   | 466        |
| DIMENSIONS 200DRD/200DRD WITH QDC (14.0 kW)      | 467        |
| DIMENSIONS 200DRD/200DRD WITH QDC (40.0÷48.0 kW) | 468        |
| DIMENSIONS 250DRD/250DRD WITH QDC (12.4÷23.0 kW) | 469        |
| DIMENSIONS 250DRD/250DRD WITH QDC (19.0÷29.0 kW) | 470        |
| DIMENSIONS 250DRD/250DRD WITH QDC (15.0 kW)      | 471        |
| DIMENSIONS 250DRD/250DRD WITH QDC (39.2 kW)      | 472        |
| DIMENSIONS 250DRD/250DRD WITH QDC (65.0÷85.0 kW) | 473        |
| DIMENSIONS 300DRD/300DRD WITH QDC (21.8÷39.2 kW) | 474        |
| DIMENSIONS 300DRD/300DRD WITH QDC (55.8÷65.0 kW) | 475        |
| DIMENSIONS 350DRD/350DRD WITH QDC (40.0÷45.0 kW) | 476        |
| <b>- TECHNICAL DATA</b>                          | <b>500</b> |
| MOTOR DATA DS, DVS (1.5÷3.7 kW)                  | 500        |
| MOTOR DATA DS (5.5÷7.5 kW)                       | 501        |
| MOTOR DATA DSF (1.5÷6.0 kW)                      | 502        |
| MOTOR DATA DL, DL W/C (1.5÷3.7 kW)               | 503        |
| MOTOR DATA DL (5.5÷11 kW), DL W/C (5.5÷7.5 kW)   | 504        |
| MOTOR DATA DL (15÷22 kW)                         | 505        |
| MOTOR DATA DL (30÷45 kW)                         | 505/1      |
| MOTOR DATA DML, DMLV (2.2÷3.7 kW)                | 506        |

104

**CONTENTS**

50 Hz

|                                               |            |
|-----------------------------------------------|------------|
|                                               | Rev. E     |
| MOTOR DATA DML, DMLV (5.5÷11 kW)              | 506/1      |
| MOTOR DATA DML, DMLV (15÷22 kW)               | 506/2      |
| MOTOR DATA DMLF (1.4÷1.9 kW)                  | 507        |
| MOTOR DATA DMLVF (0.5÷18.2 kW)                | 508        |
| MOTOR DATA DRS (1.1÷25.1 kW)                  | 509        |
| MOTOR DATA DRD (3.1÷14.0 kW)                  | 510        |
| MOTOR DATA DRD (14.0÷85.0 kW)                 | 511        |
| <b>- ACCESSORIES</b>                          | <b>600</b> |
| QDC SELECTION TABLE                           | 600        |
| QDC, ELBOW, TRIPOD AND FLANGE SELECTION TABLE | 601        |

**SPECIFICATION: DS (Sump Pump)**

50 Hz

Rev. E

| <b>DS</b>                   |                                     |                                                                     |                                                                                  |        |
|-----------------------------|-------------------------------------|---------------------------------------------------------------------|----------------------------------------------------------------------------------|--------|
| <b>PUMP</b>                 | Liquid Handled                      | Type of liquid                                                      | Dirty water                                                                      |        |
|                             |                                     | Max Temp. [°C]                                                      | 40°                                                                              |        |
|                             |                                     | Max solids size [mm]                                                | 5                                                                                | (50DS) |
|                             |                                     |                                                                     | 6                                                                                | (65DS) |
|                             |                                     |                                                                     | 7                                                                                | (80DS) |
|                             | 8                                   | (100DS)                                                             |                                                                                  |        |
|                             | Max fibers length [mm]              | 50                                                                  |                                                                                  |        |
|                             | Submergence                         | Max [m]                                                             | 3 (1.5 kW)                                                                       |        |
|                             |                                     | Min [m]                                                             | 7 (2.2÷7.5 kW)                                                                   |        |
|                             | Construction                        | Impeller                                                            | Semi - open (with strainer)                                                      |        |
|                             |                                     | Shaft seal type                                                     | Oil lubricated, single spring double mechanical seal                             |        |
|                             | Connection                          | Suction                                                             | Strainer                                                                         |        |
|                             |                                     | Discharge [inch]<br>[mm]                                            | G1½ UNI ISO 228 (50DS 1.5 kW)<br>DN 50, 65, 80, 100 PN 10 according to EN 1092-2 |        |
|                             | Materials                           | Casing                                                              | Cast iron                                                                        |        |
|                             |                                     | Impeller                                                            | Cast iron                                                                        |        |
|                             |                                     | Suction Cover                                                       | Stainless Steel (1.5 kW)                                                         |        |
| Cast iron (2.2÷7.5 kW)      |                                     |                                                                     |                                                                                  |        |
| Shaft                       |                                     | Aisi 403                                                            |                                                                                  |        |
| Motor frame                 |                                     | Cast iron                                                           |                                                                                  |        |
| Fasteners                   | Aisi 304                            |                                                                     |                                                                                  |        |
| Accessories                 | Standard                            | SiC/SiC/NBR Impeller side                                           |                                                                                  |        |
|                             |                                     | Carbon/Ceramic/NBR Motor side                                       |                                                                                  |        |
|                             | Optional                            | Lubricant: Turbine Oil VG32 (SAE 10W/20W)                           |                                                                                  |        |
| Applicable standard of test | Standard                            | Screwed flange oval type (1.5 kW).<br>Discharge elbow (2.2÷7.5 kW). |                                                                                  |        |
|                             | Optional                            | Quick Discharge Connector (QDC): LS, LM, LL type                    |                                                                                  |        |
|                             |                                     |                                                                     | ISO 9906 Annex A                                                                 |        |
| <b>MOTOR</b>                | Type                                |                                                                     | Three Phase air filled dry submersible                                           |        |
|                             | No. of Poles                        |                                                                     | 2                                                                                |        |
|                             | Rotation speed [min <sup>-1</sup> ] |                                                                     | ~ 2850                                                                           |        |
|                             | Insulation Class                    |                                                                     | F                                                                                |        |
|                             | Protection degree                   |                                                                     | IP 68                                                                            |        |
|                             | Power Rating [kW]                   |                                                                     | 1.5 ÷ 7.5                                                                        |        |
|                             | Frequency [Hz]                      |                                                                     | 50 ±1%                                                                           |        |
|                             | Voltage [V]                         |                                                                     | 380-415 ±10%                                                                     |        |
|                             | Starting                            |                                                                     | DOL                                                                              |        |
|                             | Over load protection                |                                                                     | Built in                                                                         |        |
|                             | Cable                               | material                                                            | H07RN-F                                                                          |        |
|                             |                                     | length [m]                                                          | 6 (up to 1.5 kW), 10 (2.2 kW and above)                                          |        |
| Bearings                    |                                     | Permanently lubricated sealed ball bearings                         |                                                                                  |        |



**SPECIFICATION: DSF (Sump Pump)**

**50 Hz**

Rev. E

| DSF                         |                                         |                                                                                                                                                    |                                                                      |  |
|-----------------------------|-----------------------------------------|----------------------------------------------------------------------------------------------------------------------------------------------------|----------------------------------------------------------------------|--|
| <b>PUMP</b>                 | Liquid Handled                          | Type of liquid                                                                                                                                     | Dirty water                                                          |  |
|                             |                                         | Max Temp. [°C]                                                                                                                                     | < 40°                                                                |  |
|                             |                                         | Max solids size [mm]                                                                                                                               | 6<br>7 40DSF56T2AG                                                   |  |
|                             | Submergence                             | Max [m]                                                                                                                                            | 20                                                                   |  |
|                             |                                         | Min [m]                                                                                                                                            | Refer to low water level (L.W.L.) and usage restriction in dimension |  |
|                             | Construction                            | Impeller                                                                                                                                           | Drainage                                                             |  |
|                             |                                         | Shaft seal type                                                                                                                                    | Oil lubricated, single spring single mechanical seal + Lip Seal      |  |
|                             | Connection                              | Suction                                                                                                                                            | -                                                                    |  |
|                             |                                         | Discharge [mm]<br>(*According to EN 1092-2)                                                                                                        | DN40*                                                                |  |
|                             | Materials                               | Casing                                                                                                                                             | Cast iron EN-GJL-250                                                 |  |
|                             |                                         | Impeller                                                                                                                                           | Cast-iron GS400                                                      |  |
|                             |                                         | Suction Cover                                                                                                                                      | Cast iron EN-GJL-250                                                 |  |
| Shaft                       |                                         | Stainless Steel AISI 420B/431                                                                                                                      |                                                                      |  |
| Motor frame                 |                                         | Cast iron EN-GJL-250                                                                                                                               |                                                                      |  |
| Fasteners                   |                                         | A2 class - AISI 304                                                                                                                                |                                                                      |  |
|                             | Mechanical seal                         | SiC Impeller side<br>NBR Motor side<br>Nitrile O-rings and lip seal<br>Lubricant: AGIP ITE 360                                                     |                                                                      |  |
| Accessories                 | Optional                                | Screwed flange square type (up to DN 40 discharge)<br>Discharge threaded elbow (up to DN 40 discharge)<br>Quick Discharge Connector (QDC): PA type |                                                                      |  |
| Applicable standard of test |                                         | ISO 9906 Annex A                                                                                                                                   |                                                                      |  |
| <b>MOTOR</b>                | Type                                    | Single Phase                                                                                                                                       | Three Phase                                                          |  |
|                             | Dry motor, cooled by surrounding liquid |                                                                                                                                                    |                                                                      |  |
|                             | No. of Poles                            | 2                                                                                                                                                  |                                                                      |  |
|                             | Rotation speed [min <sup>-1</sup> ]     | 2850                                                                                                                                               |                                                                      |  |
|                             | Insulation Class                        | H                                                                                                                                                  |                                                                      |  |
|                             | Protection degree                       | IP 68                                                                                                                                              |                                                                      |  |
|                             | Power Rating [kW]                       | 1.5 ÷ 1.9                                                                                                                                          | 6.0                                                                  |  |
|                             | Frequency [Hz]                          | 50                                                                                                                                                 | -5/+3 %                                                              |  |
|                             | Voltage [V]                             | 230 ±10%                                                                                                                                           | 400/690 ±10%                                                         |  |
|                             | Starting                                | DOL                                                                                                                                                | DOL - Y/Δ                                                            |  |
|                             | Over load protection                    | Yes                                                                                                                                                | Yes                                                                  |  |
|                             | Humidity probe                          | -                                                                                                                                                  | Yes                                                                  |  |
|                             | Floating switch                         | Yes                                                                                                                                                | -                                                                    |  |
|                             | Cable                                   | material                                                                                                                                           | H07RN-F                                                              |  |
|                             |                                         | length [m]                                                                                                                                         | 10                                                                   |  |
|                             | size [mm <sup>2</sup> ]                 | 3G1.5                                                                                                                                              | 12G1.5                                                               |  |
| Bearings                    |                                         | Life lubricated, maintenance free                                                                                                                  |                                                                      |  |

**SPECIFICATION: DVS (Semi-Vortex Pump)**

**50 Hz**

Rev. E

| <b>DVS</b>                  |                                             |                                                                                                         |                                                                              |
|-----------------------------|---------------------------------------------|---------------------------------------------------------------------------------------------------------|------------------------------------------------------------------------------|
| <b>PUMP</b>                 | Type of liquid                              | Water containing foreign matter                                                                         |                                                                              |
|                             | Max Temp. [°C]                              | 40°                                                                                                     |                                                                              |
|                             | Liquid Handled                              | Max solids size [mm]                                                                                    | 21 (50DVS)                                                                   |
|                             |                                             |                                                                                                         | 33 (65DVS & 80DVS 1.5 kW)                                                    |
|                             |                                             |                                                                                                         | 41 (65DVS & 80DVS 2.2 - 3.7 kW)                                              |
|                             | Max fibers length [mm]                      | 100 (50DVS)                                                                                             |                                                                              |
|                             |                                             | 200 (65DVS & 80DVS 1.5 kW)                                                                              |                                                                              |
|                             |                                             | 245 (65DVS & 80DVS 2.2 - 3.7 kW)                                                                        |                                                                              |
|                             | Submergence                                 | Max [m]                                                                                                 | 3 (1.5 kW)<br>7 (2.2 ÷ 3.7 kW)                                               |
|                             |                                             | Min [m]                                                                                                 | Refer to low water level (L.W.L.) and usage restriction in dimension         |
|                             | Construction                                | Impeller                                                                                                | Semi – Vortex                                                                |
|                             |                                             | Shaft seal type                                                                                         | Oil lubricated, single spring double mechanical seal                         |
|                             | Connection                                  | Suction                                                                                                 | Open                                                                         |
|                             |                                             | Discharge [inch]<br>[mm]                                                                                | G1½ UNI ISO 228 (50DVS 1.5 kW)<br>DN 50, 65, 80 PN 10 according to EN 1092-2 |
|                             | Materials                                   | Casing                                                                                                  | Cast iron                                                                    |
| Impeller                    |                                             | Cast iron                                                                                               |                                                                              |
| Shaft                       |                                             | Aisi 403                                                                                                |                                                                              |
| Motor frame                 |                                             | Cast iron                                                                                               |                                                                              |
| Fasteners                   |                                             | Aisi 304                                                                                                |                                                                              |
| Mechanical seal             |                                             | SiC/SiC/NBR Impeller side<br>Carbon/Ceramic/NBR Motor side<br>Lubricant: Turbine Oil VG32 (SAE 10W/20W) |                                                                              |
|                             |                                             |                                                                                                         |                                                                              |
| Accessories                 | Standard                                    | Screwed companion oval flange (50 DVS)<br>Discharge elbow (65DVS & 80DVS)                               |                                                                              |
|                             | Optional                                    | Quick Discharge Connector (QDC): LS, LM, type                                                           |                                                                              |
| Applicable standard of test |                                             | ISO 9906 Annex A                                                                                        |                                                                              |
| <b>MOTOR</b>                | Type                                        | Three Phase air filled dry submersible                                                                  |                                                                              |
|                             | No. of Poles                                | 2                                                                                                       |                                                                              |
|                             | Rotation speed [min <sup>-1</sup> ]         | ~ 2850                                                                                                  |                                                                              |
|                             | Insulation Class                            | F                                                                                                       |                                                                              |
|                             | Protection degree                           | IP 68                                                                                                   |                                                                              |
|                             | Power Rating [kW]                           | 1.5 ÷ 3.7                                                                                               |                                                                              |
|                             | Frequency [Hz]                              | 50±1%                                                                                                   |                                                                              |
|                             | Voltage [V]                                 | 380-415 ±10%                                                                                            |                                                                              |
|                             | Starting                                    | DOL                                                                                                     |                                                                              |
|                             | Over load protection                        | Built in                                                                                                |                                                                              |
|                             | Cable material                              | H07RN-F                                                                                                 |                                                                              |
|                             | Cable length [m]                            | 6 (up to 1.5 kW), 10 (2.2 kW and above)                                                                 |                                                                              |
| Bearings                    | Permanently lubricated sealed ball bearings |                                                                                                         |                                                                              |

**SPECIFICATION: DL (Sewage Pump)**

**50 Hz**

Rev. E

| DL                          |                                             |                                                                                                         |                                                                                                   |                                                                        |
|-----------------------------|---------------------------------------------|---------------------------------------------------------------------------------------------------------|---------------------------------------------------------------------------------------------------|------------------------------------------------------------------------|
| <b>PUMP</b>                 | Type of liquid                              | Sewage                                                                                                  |                                                                                                   |                                                                        |
|                             | Max Temp.                                   | [°C]                                                                                                    | 40°                                                                                               |                                                                        |
|                             | Liquid Handled                              | Max solids size                                                                                         | [mm]                                                                                              | 35 (65DL) 76 (200DL up to 22kW)                                        |
|                             |                                             |                                                                                                         |                                                                                                   | 50 (80DL, all DLC) 76 (all 30÷44 kW)                                   |
|                             |                                             |                                                                                                         |                                                                                                   | 60 (100DL, 100DLB) 82 (250DL up to 22kW)                               |
|                             |                                             |                                                                                                         |                                                                                                   | 70 (150DL up to 22kW) 90 (300DL up to 22kW)                            |
|                             | Max fibers length                           | [mm]                                                                                                    |                                                                                                   | 195 (65DL) 500 (200DL up to 22kW)                                      |
|                             |                                             |                                                                                                         |                                                                                                   | 240 (80DL, all DLC) 500 (all 30÷44 kW)                                 |
|                             |                                             |                                                                                                         |                                                                                                   | 300 (100DL, 100DLB) 550 (250DL up to 22kW)                             |
|                             |                                             |                                                                                                         |                                                                                                   | 400 (150DL up to 22kW) 600 (300DL up to 22kW)                          |
|                             | Submergence                                 | Max                                                                                                     | [m]                                                                                               | 7                                                                      |
|                             |                                             | Min                                                                                                     | [m]                                                                                               | Refer to low water level (L.W.L.) and usage restriction in dimension   |
|                             | Construction                                | Impeller                                                                                                | Non clog, semi-open                                                                               |                                                                        |
|                             |                                             | Shaft seal type                                                                                         | Oil lubricated, single (up to 3.7 kW) or tandem (5.5 kW and above) springs double mechanical seal |                                                                        |
|                             | Connection                                  | Suction                                                                                                 | Open                                                                                              |                                                                        |
|                             |                                             | Discharge                                                                                               | [mm]                                                                                              | Flange DN 65, 80, 100, 150, 200, 250, 300 PN 10 according to EN 1092-2 |
|                             | Materials                                   | Casing                                                                                                  | Cast iron                                                                                         |                                                                        |
| Impeller                    |                                             | Cast iron                                                                                               |                                                                                                   |                                                                        |
| Suction Cover               |                                             | Cast iron                                                                                               |                                                                                                   |                                                                        |
| Shaft                       |                                             | Aisi 403                                                                                                |                                                                                                   |                                                                        |
| Motor frame                 |                                             | Cast iron                                                                                               |                                                                                                   |                                                                        |
| Fasteners                   |                                             | Aisi 304                                                                                                |                                                                                                   |                                                                        |
| Mechanical seal             |                                             | SiC/SiC/NBR Impeller side<br>Carbon/Ceramic/NBR Motor side<br>Lubricant: Turbine Oil VG32 (SAE 10W/20W) |                                                                                                   |                                                                        |
| Accessories                 | Standard                                    | Discharge elbow                                                                                         |                                                                                                   |                                                                        |
|                             | Optional                                    | Quick Discharge Connector (QDC): LM, LL type                                                            |                                                                                                   |                                                                        |
| Applicable standard of test | ISO 9906 Annex A                            |                                                                                                         |                                                                                                   |                                                                        |
| <b>MOTOR</b>                | Type                                        | Three Phase air filled dry submersible                                                                  |                                                                                                   |                                                                        |
|                             | No. of Poles                                | 4                                                                                                       |                                                                                                   |                                                                        |
|                             | Rotation speed                              | [min <sup>-1</sup> ]                                                                                    | ~ 1450                                                                                            |                                                                        |
|                             | Insulation Class                            | F                                                                                                       |                                                                                                   |                                                                        |
|                             | Protection degree                           | IP 68                                                                                                   |                                                                                                   |                                                                        |
|                             | Power Rating                                | [kW]                                                                                                    | 1.5 ÷ 45                                                                                          |                                                                        |
|                             | Frequency                                   | [Hz]                                                                                                    | 50±1%                                                                                             |                                                                        |
|                             | Voltage                                     | [V]                                                                                                     | 380-415 ±10%(1.5÷7.5 kW)                                                                          |                                                                        |
|                             |                                             |                                                                                                         | 400-415 ±10% (Δ connection 11÷22 kW)                                                              |                                                                        |
|                             |                                             |                                                                                                         | 380-415 ±10%( Δ connection 30÷45 kW)                                                              |                                                                        |
|                             | Starting                                    | DOL up to 7.5 kW<br>Y/Δ from 11 kW up to 45 kW                                                          |                                                                                                   |                                                                        |
| Over load protection        | Built in                                    |                                                                                                         |                                                                                                   |                                                                        |
| Cable                       | material                                    | H07RN-F                                                                                                 |                                                                                                   |                                                                        |
|                             | length                                      | [m]                                                                                                     | 10                                                                                                |                                                                        |
| Bearings                    | Permanently lubricated sealed ball bearings |                                                                                                         |                                                                                                   |                                                                        |

|                             |                                     | <b>DLW/C</b>                                 |                                                                                                   |              |
|-----------------------------|-------------------------------------|----------------------------------------------|---------------------------------------------------------------------------------------------------|--------------|
| <b>PUMP</b>                 | Type of liquid                      | Sewage                                       |                                                                                                   |              |
|                             | Max Temp. [°C]                      | 40°                                          |                                                                                                   |              |
|                             | Liquid Handled                      | Max solids size [mm]                         | 35                                                                                                | (65DLW/C)    |
|                             |                                     |                                              | 50                                                                                                | (80DLW/C)    |
|                             |                                     |                                              | 60                                                                                                | (100DLB W/C) |
|                             | Max fibers length [mm]              | 195                                          | (65DLW/C)                                                                                         |              |
|                             |                                     | 240                                          | (80DLW/C)                                                                                         |              |
|                             |                                     | 300                                          | (100DLW/C)                                                                                        |              |
|                             | Submergence                         | Max [m]                                      | 7                                                                                                 |              |
|                             |                                     | Min [m]                                      | Refer to low water level (L.W.L.) and usage restriction in dimension                              |              |
|                             | Construction                        | Impeller                                     | Non clog, semi-open with cutting action                                                           |              |
|                             |                                     | Shaft seal type                              | Oil lubricated, single (up to 3.7 kW) or tandem (5.5 kW and above) springs double mechanical seal |              |
|                             | Connection                          | Suction                                      | Open                                                                                              |              |
|                             |                                     | Discharge [mm]                               | Flange DN 65, 80, 100 PN 10 according to EN 1092-2                                                |              |
|                             | Materials                           | Casing                                       | Cast iron                                                                                         |              |
| Impeller                    |                                     | Cast iron                                    |                                                                                                   |              |
| Suction Cover               |                                     | Cast iron                                    |                                                                                                   |              |
| Shaft                       |                                     | Aisi 403                                     |                                                                                                   |              |
| Motor frame                 |                                     | Cast iron                                    |                                                                                                   |              |
| Fasteners                   |                                     | Aisi 304                                     |                                                                                                   |              |
| Accessories                 | Mechanical seal                     | SiC/SiC/NBR                                  | Impeller side                                                                                     |              |
|                             |                                     | Carbon/Ceramic/NBR                           | Motor side                                                                                        |              |
|                             |                                     | Lubricant: Turbine Oil VG32 (SAE 10W/20W)    |                                                                                                   |              |
| Standard                    | Discharge elbow                     |                                              |                                                                                                   |              |
|                             | Optional                            | Quick Discharge Connector (QDC): LM, LL type |                                                                                                   |              |
| Applicable standard of test |                                     | ISO 9906 Annex A                             |                                                                                                   |              |
| <b>MOTOR</b>                | Type                                | Three Phase air filled dry submersible       |                                                                                                   |              |
|                             | No. of Poles                        | 4                                            |                                                                                                   |              |
|                             | Rotation speed [min <sup>-1</sup> ] | ~ 1450                                       |                                                                                                   |              |
|                             | Insulation Class                    | F                                            |                                                                                                   |              |
|                             | Protection degree                   | IP 68                                        |                                                                                                   |              |
|                             | Power Rating [kW]                   | 1.5 ÷ 7.5                                    |                                                                                                   |              |
|                             | Frequency [Hz]                      | 50±1%                                        |                                                                                                   |              |
|                             | Voltage [V]                         | 380-415 ±10%                                 |                                                                                                   |              |
|                             | Starting                            | DOL (Direct on line)                         |                                                                                                   |              |
|                             | Over load protection                | Built in                                     |                                                                                                   |              |
|                             | Cable                               | material                                     | H07RN-F                                                                                           |              |
| length [m]                  |                                     | 10                                           |                                                                                                   |              |
| Bearings                    |                                     | Permanently lubricated sealed ball bearings  |                                                                                                   |              |

**SPECIFICATION: DML (Sewage Pump)**

**50 Hz**

Rev. E

| DML                         |                                     |                                                                                                         |                                                                                |
|-----------------------------|-------------------------------------|---------------------------------------------------------------------------------------------------------|--------------------------------------------------------------------------------|
| <b>PUMP</b>                 | Liquid Handled                      | Type of liquid                                                                                          | Sewage                                                                         |
|                             |                                     | Max Temp. [°C]                                                                                          | 40°                                                                            |
|                             |                                     | Max solids size [mm]                                                                                    | 76                                                                             |
|                             |                                     | Max fibers length [mm]                                                                                  | 500                                                                            |
|                             | Submergence                         | Max [m]                                                                                                 | 7                                                                              |
|                             |                                     | Min [m]                                                                                                 | Refer to low water level (L.W.L.) and usage restriction in dimension           |
|                             | Construction                        | Impeller                                                                                                | Non clog, single channel                                                       |
|                             |                                     | Shaft seal type                                                                                         | Oil lubricated, single spring double mechanical seal                           |
|                             | Connection                          | Suction                                                                                                 | Open                                                                           |
|                             |                                     | Discharge [mm]                                                                                          | Flange DN 80, 100, 150 PN 10 according to EN 1092-2                            |
|                             | Materials                           | Casing                                                                                                  | Cast iron                                                                      |
|                             |                                     | Impeller                                                                                                | Cast iron                                                                      |
|                             |                                     | Suction Cover                                                                                           | Cast iron                                                                      |
|                             |                                     | Shaft                                                                                                   | Aisi 403                                                                       |
|                             |                                     | Motor frame                                                                                             | Cast iron                                                                      |
|                             |                                     | Fasteners                                                                                               | Aisi 304                                                                       |
| Mechanical seal             |                                     | SiC/SiC/NBR Impeller side<br>Carbon/Ceramic/NBR Motor side<br>Lubricant: Turbine Oil VG32 (SAE 10W/20W) |                                                                                |
| Accessories                 | Standard                            | Discharge elbow                                                                                         |                                                                                |
|                             | Optional                            | Quick Discharge Connector (QDC): LM, LL type                                                            |                                                                                |
| Applicable standard of test |                                     | ISO 9906 Annex A                                                                                        |                                                                                |
| <b>MOTOR</b>                | Type                                |                                                                                                         | Three Phase air filled dry submersible                                         |
|                             | No. of Poles                        |                                                                                                         | 4                                                                              |
|                             | Rotation speed [min <sup>-1</sup> ] |                                                                                                         | ~ 1450                                                                         |
|                             | Insulation Class                    |                                                                                                         | F                                                                              |
|                             | Protection degree                   |                                                                                                         | IP 68                                                                          |
|                             | Power Rating [kW]                   |                                                                                                         | 2.2 ÷ 22                                                                       |
|                             | Frequency [Hz]                      |                                                                                                         | 50±1%                                                                          |
|                             | Voltage [V]                         |                                                                                                         | 380-415 -10+6% (2.2 kW)<br>380-415 ±10% (3.7÷22 kW)                            |
|                             | Starting                            |                                                                                                         | DOL 2.2 kW<br>Y/Δ from 3.7 kW up to 22 kW                                      |
|                             | Over load protection                |                                                                                                         | Built in motor protector 2.2 kW<br>Built in heat probe from 3.7 kW up to 22 kW |
|                             | Cable                               | material                                                                                                | H07RN-F                                                                        |
|                             |                                     | length [m]                                                                                              | 10                                                                             |
| Bearings                    |                                     | Permanently lubricated sealed ball bearings                                                             |                                                                                |

| <b>DMLF</b>                 |                                     |                                                                                                    |                                                                      |  |
|-----------------------------|-------------------------------------|----------------------------------------------------------------------------------------------------|----------------------------------------------------------------------|--|
| <b>PUMP</b>                 | Liquid Handled                      | Type of liquid                                                                                     | Non corrosive dirty waters also with solid bodies in suspension      |  |
|                             |                                     | Max Temp. [°C]                                                                                     | < 40°                                                                |  |
|                             |                                     | Max solids size [mm]                                                                               | 30 50DMLF51.4M2BG<br>40 65DMLF51.5M2AG, 65DMLF51.5M2AG               |  |
|                             | Submergence                         | Max [m]                                                                                            | 20                                                                   |  |
|                             |                                     | Min [m]                                                                                            | Refer to low water level (L.W.L.) and usage restriction in dimension |  |
|                             | Construction                        | Impeller                                                                                           | Non clog, single channel                                             |  |
|                             |                                     | Shaft seal type                                                                                    | Oil lubricated, single spring single mechanical seal + Lip seal      |  |
|                             | Connection                          | Suction [mm]                                                                                       | - 50DMLF51.4M2BG<br>50 65DMLF51.5M2AG, 65DMLF51.5M2AG                |  |
|                             |                                     | Discharge [mm]<br><small>(*According to EN 1092-2)</small>                                         | 50 50DMLF51.4M2BG<br>DN65* 65DMLF51.5M2AG, 65DMLF51.5M2AG            |  |
|                             | Materials                           | Casing                                                                                             | Cast iron EN-GJL-250                                                 |  |
|                             |                                     | Impeller                                                                                           | Cast-iron EN-GJL-250+Ni                                              |  |
|                             |                                     | Suction Cover                                                                                      | Cast iron EN-GJL-250                                                 |  |
|                             |                                     | Shaft                                                                                              | Stainless Steel AISI 420B/431                                        |  |
|                             |                                     | Motor frame                                                                                        | Cast iron EN-GJL-250                                                 |  |
| Fasteners                   |                                     | A2 class - AISI 304                                                                                |                                                                      |  |
|                             | Mechanical seal                     | NBR Impeller side<br>SiC Motor side<br>Nitrile O-rings and lip seal<br>Lubricant: AGIP ITE 360     |                                                                      |  |
| Accessories                 | Optional                            | Screwed flange square type<br>Discharge threaded elbow<br>Quick Discharge Connector (QDC): PA type |                                                                      |  |
| Applicable standard of test |                                     | ISO 9906 Annex A                                                                                   |                                                                      |  |
| <b>MOTOR</b>                | Type                                | Single Phase<br>Dry motor, cooled by surrounding liquid                                            |                                                                      |  |
|                             | No. of Poles                        | 2                                                                                                  |                                                                      |  |
|                             | Rotation speed [min <sup>-1</sup> ] | 2850                                                                                               |                                                                      |  |
|                             | Insulation Class                    | H                                                                                                  |                                                                      |  |
|                             | Protection degree                   | IP 68                                                                                              |                                                                      |  |
|                             | Power Rating [kW]                   | 1.4 ÷ 1.9                                                                                          |                                                                      |  |
|                             | Frequency [Hz]                      | 50 -5/+3 %                                                                                         |                                                                      |  |
|                             | Voltage [V]                         | 230 ±10%                                                                                           |                                                                      |  |
|                             | Starting                            | DOL                                                                                                |                                                                      |  |
|                             | Over load protection                | Yes                                                                                                |                                                                      |  |
|                             | Floating switch                     | Up to 1.9 kW                                                                                       |                                                                      |  |
|                             | Cable                               | material                                                                                           | H07RN-F                                                              |  |
|                             |                                     | length [m]                                                                                         | 10                                                                   |  |
| size [mm]                   |                                     | 3G1.5                                                                                              |                                                                      |  |
| Bearings                    |                                     | Overdimensioned, life lubricated, maintenance free                                                 |                                                                      |  |

**SPECIFICATION: DMLV (Sewage Pump)**

50 Hz

Rev. E

| <b>DMLV</b>                 |                                     |                                                                                                         |                                                                      |
|-----------------------------|-------------------------------------|---------------------------------------------------------------------------------------------------------|----------------------------------------------------------------------|
| <b>PUMP</b>                 | Liquid Handled                      | Type of liquid                                                                                          | Sewage                                                               |
|                             |                                     | Max Temp. [°C]                                                                                          | 40°                                                                  |
|                             |                                     | Max solids size [mm]                                                                                    | 80 (80DMLV)<br>100 (100DMLV)                                         |
|                             |                                     | Max fibers length [mm]                                                                                  | 400 (80DMLV)<br>500 (100DMLV)                                        |
|                             | Submergence                         | Max [m]                                                                                                 | 7                                                                    |
|                             |                                     | Min [m]                                                                                                 | Refer to low water level (L.W.L.) and usage restriction in dimension |
|                             | Construction                        | Impeller                                                                                                | Vortex                                                               |
|                             |                                     | Shaft seal type                                                                                         | Oil lubricated, single spring double mechanical seal                 |
|                             | Connection                          | Suction                                                                                                 | Open                                                                 |
|                             |                                     | Discharge [mm]                                                                                          | Flange DN 80, 100 PN 10 according to EN 1092-2                       |
|                             | Materials                           | Casing                                                                                                  | Cast iron                                                            |
|                             |                                     | Impeller                                                                                                | Cast iron                                                            |
|                             |                                     | Suction Cover                                                                                           | Cast iron                                                            |
|                             |                                     | Shaft                                                                                                   | Aisi 403                                                             |
|                             |                                     | Motor frame                                                                                             | Cast iron                                                            |
|                             |                                     | Fasteners                                                                                               | Aisi 304                                                             |
| Mechanical seal             |                                     | SiC/SiC/NBR Impeller side<br>Carbon/Ceramic/NBR Motor side<br>Lubricant: Turbine Oil VG32 (SAE 10W/20W) |                                                                      |
| Accessories                 | Standard                            | Discharge elbow                                                                                         |                                                                      |
|                             | Optional                            | Quick Discharge Connector (QDC): LM, LL type                                                            |                                                                      |
| Applicable standard of test |                                     | ISO 9906 Annex A                                                                                        |                                                                      |
| <b>MOTOR</b>                | Type                                | Three Phase<br>air filled dry submersible                                                               |                                                                      |
|                             | No. of Poles                        | 4                                                                                                       |                                                                      |
|                             | Rotation speed [min <sup>-1</sup> ] | ~ 1450                                                                                                  |                                                                      |
|                             | Insulation Class                    | F                                                                                                       |                                                                      |
|                             | Protection degree                   | IP 68                                                                                                   |                                                                      |
|                             | Power Rating [kW]                   | 2.2 ÷ 22                                                                                                |                                                                      |
|                             | Frequency [Hz]                      | 50±1%                                                                                                   |                                                                      |
|                             | Voltage [V]                         | 380-415 -10+6% (2.2 kW)<br>380-415 ±10% (3.7÷22 kW))                                                    |                                                                      |
|                             | Starting                            | DOL 2.2 kW<br>Y/Δ from 3.7 kW up to 22 kW                                                               |                                                                      |
|                             | Over load protection                | Built in motor protector 2.2 kW<br>Built in heat probe from 3.7 kW up to 22 kW                          |                                                                      |
|                             | Cable                               | material                                                                                                | H07RN-F                                                              |
|                             |                                     | length [m]                                                                                              | 10                                                                   |
|                             | Bearings                            |                                                                                                         | Permanently lubricated sealed ball bearings                          |

**SPECIFICATION: DMLVF (Sewage Pump)**

**50 Hz**

Rev. E

|                             |                                     | <b>DMLVF</b>                                                                                       |                                                                      |                                                         |                                                            |                                                                |
|-----------------------------|-------------------------------------|----------------------------------------------------------------------------------------------------|----------------------------------------------------------------------|---------------------------------------------------------|------------------------------------------------------------|----------------------------------------------------------------|
| <b>PUMP</b>                 | Type of liquid                      | Sewage                                                                                             |                                                                      |                                                         |                                                            |                                                                |
|                             | Max Temp. [°C]                      | <40°                                                                                               |                                                                      |                                                         |                                                            |                                                                |
|                             | Liquid Handled                      | Max solids size [mm]                                                                               | 30                                                                   | 40DMLVF50.5M2AG                                         | 65                                                         | 65DMLVF51.5M2CG                                                |
|                             |                                     |                                                                                                    | 50                                                                   | 50DMLVF51.5M2CG,<br>50DMLVF51.5M2BG,<br>50DMLVF51.9M2AG | 40x50<br>80                                                | 80DMLVF516.6T2BG**<br>80DMLVF518.2T2DG**<br>100DMLVF55.2T6BG** |
|                             |                                     |                                                                                                    | 64                                                                   | 80DMLVF54.9T4AG                                         |                                                            |                                                                |
|                             |                                     |                                                                                                    |                                                                      |                                                         |                                                            |                                                                |
|                             | Submergence                         | Max [m]                                                                                            | 20                                                                   |                                                         |                                                            |                                                                |
|                             |                                     | Min [m]                                                                                            | Refer to low water level (L.W.L.) and usage restriction in dimension |                                                         |                                                            |                                                                |
|                             | Construction                        | Impeller                                                                                           | Vortex                                                               |                                                         |                                                            |                                                                |
|                             |                                     | Shaft seal type                                                                                    | Oil lubricated, single spring double mechanical seal                 |                                                         |                                                            |                                                                |
|                             | Connection                          | Suction (*According to EN 1092-2) [mm]                                                             | 30                                                                   | 40DMLVF50.5M2AG                                         | DN80*                                                      | 80DMLVF54.9T4AG,<br>80DMLVF516.6T2BG**                         |
|                             |                                     |                                                                                                    | 55                                                                   | 50DMLVF51.5M2CG,<br>50DMLVF51.5M2BG,<br>50DMLVF51.9M2AG | DN100*<br>DN125*                                           | 80DMLVF518.2T2DG**<br>100DMLVF55.2T6BG**                       |
|                             |                                     | Discharge (*According to EN 1092-2) [mm]                                                           | 1 1/4                                                                | 40DMLVF50.5M2AG                                         | DN80*                                                      | 80DMLVF54.9T4AG,<br>80DMLVF516.6T2BG**<br>80DMLVF518.2T2DG**   |
|                             |                                     |                                                                                                    | 50                                                                   | 50DMLVF51.5M2CG,<br>50DMLVF51.5M2BG,<br>50DMLVF51.9M2AG | DN100*                                                     | 100DMLVF55.2T6BG**                                             |
|                             | Materials                           | Casing                                                                                             | Cast iron EN-GJL-250                                                 |                                                         |                                                            |                                                                |
| Impeller                    |                                     | Cast-iron EN-GJL-250+Ni                                                                            |                                                                      |                                                         |                                                            |                                                                |
| Suction Cover               |                                     | Cast iron EN-GJL-250                                                                               |                                                                      |                                                         |                                                            |                                                                |
| Shaft                       |                                     | Stainless Steel AISI 420B/431                                                                      |                                                                      |                                                         |                                                            |                                                                |
| Motor frame                 |                                     | Cast iron EN-GJL-250                                                                               |                                                                      |                                                         |                                                            |                                                                |
| Fasteners                   |                                     | A2 class - AISI 304                                                                                |                                                                      |                                                         |                                                            |                                                                |
| Mechanical seal             |                                     | SiC<br>Ceramic/Graphite<br>Nitrile<br>Lubricant: AGIP ITE 360                                      | Impeller side<br>Motor side<br>O-rings and lip seal                  |                                                         |                                                            |                                                                |
| Accessories                 | Standard                            | Screwed flange square type<br>Discharge threaded elbow<br>Quick Discharge Connector (QDC): PA type |                                                                      |                                                         |                                                            |                                                                |
| Applicable standard of test |                                     | ISO 9906 Annex A                                                                                   |                                                                      |                                                         |                                                            |                                                                |
| <b>MOTOR</b>                | Type                                | Single Phase                                                                                       |                                                                      | Three Phase                                             |                                                            |                                                                |
|                             |                                     | Dry motor, cooled by surrounding liquid<br>(*available also with cooling jacket)                   |                                                                      |                                                         |                                                            |                                                                |
|                             | No. of Poles                        | 2                                                                                                  |                                                                      | 4                                                       | 6                                                          |                                                                |
|                             | Rotation speed [min <sup>-1</sup> ] | 2850                                                                                               |                                                                      | 1450                                                    | 950                                                        |                                                                |
|                             | Insulation Class                    | H                                                                                                  |                                                                      |                                                         |                                                            |                                                                |
|                             | Protection degree                   | IP 68                                                                                              |                                                                      |                                                         |                                                            |                                                                |
|                             | Power Rating [kW]                   | 0.5 ÷ 18.2                                                                                         |                                                                      | 4.9                                                     | 5.2                                                        |                                                                |
|                             | Frequency [Hz]                      | 50 -5/+3 %                                                                                         |                                                                      |                                                         |                                                            |                                                                |
|                             | Voltage [V]                         | 230 ±10%                                                                                           |                                                                      | 400/690 ±10%                                            |                                                            |                                                                |
|                             | Starting                            | DOL                                                                                                |                                                                      | DOL - Y/Δ                                               |                                                            |                                                                |
|                             | Over load protection                | Yes                                                                                                |                                                                      | Yes                                                     |                                                            |                                                                |
|                             | Humidity probe                      | No                                                                                                 |                                                                      | Yes                                                     |                                                            |                                                                |
|                             | Floating switch                     | Up to 1.9 kw                                                                                       |                                                                      | -                                                       |                                                            |                                                                |
|                             | Cable                               | material                                                                                           | H07RN-F                                                              |                                                         |                                                            |                                                                |
|                             |                                     | length [m]                                                                                         | 10                                                                   |                                                         |                                                            |                                                                |
| size [mm]                   |                                     | 3G1                                                                                                | 40DMLVF50.5M2AG                                                      | 12G1.5                                                  | 80DMLVF54.9T4AG                                            |                                                                |
|                             |                                     | 3G1.5                                                                                              | 50DMLVF51.5M2CG,<br>50DMLVF51.5M2BG,<br>50DMLVF51.9M2AG              | 12G2.5                                                  | 80DMLVF516.6T2BG,<br>80DMLVF518.2T2DG,<br>100DMLVF55.2T6BG |                                                                |
| Bearings                    |                                     | Overdimensioned, life lubricated, maintenance free                                                 |                                                                      |                                                         |                                                            |                                                                |



| 40DRS                       |                                                    |                                                                  |                                                                                                                                                                                                                                                               |  |
|-----------------------------|----------------------------------------------------|------------------------------------------------------------------|---------------------------------------------------------------------------------------------------------------------------------------------------------------------------------------------------------------------------------------------------------------|--|
| <b>PUMP</b>                 | Liquid Handled                                     | Type of liquid                                                   | Sewage                                                                                                                                                                                                                                                        |  |
|                             |                                                    | Max Temp. [°C]                                                   | <40°                                                                                                                                                                                                                                                          |  |
|                             | Max solids size [mm]                               | 6                                                                | 40DRS51.1M2CG, 40DRS51.1M2BG, 40DRS51.1M2AG, 40DRS51.2M2CG, 40DRS51.5M2BG, 40DRS51.9M2AG, 40DRS51.1T2CG, 40DRS51.1T2BG, 40DRS51.4T2AG, 40DRS51.6T2CG, 40DRS51.6T2BG, 40DRS52.4T2AG, 40DRS53.1T2BG, 40DRS53.1T2AG, 40DRS54.2T2CG, 40DRS55T2BG, 40DRS55T2AG.    |  |
|                             |                                                    | 7                                                                |                                                                                                                                                                                                                                                               |  |
|                             | Submergence                                        | Max [m]                                                          | 20                                                                                                                                                                                                                                                            |  |
|                             |                                                    | Min [m]                                                          | Refer to low water level (L.W.L.) and usage restriction in dimension                                                                                                                                                                                          |  |
|                             | Construction                                       | Impeller                                                         | Grinder                                                                                                                                                                                                                                                       |  |
|                             |                                                    | Shaft seal type                                                  | Oil lubricated, single spring single mechanical seal + Lip Seal                                                                                                                                                                                               |  |
|                             | Connection                                         | Suction [mm]                                                     | - 40DRS51.1M2CG, 40DRS51.1M2BG, 40DRS51.1M2AG, 40DRS51.2M2CG, 40DRS51.5M2BG, 40DRS51.9M2AG, 40DRS51.1T2CG, 40DRS51.1T2BG, 40DRS51.4T2AG, 40DRS51.6T2CG, 40DRS51.6T2BG, 40DRS52.4T2AG, 40DRS53.1T2BG, 40DRS53.1T2AG, 40DRS54.2T2CG, 40DRS55T2BG, 40DRS55T2AG.  |  |
|                             |                                                    | Discharge [mm]                                                   | 40 40DRS51.1M2CG, 40DRS51.1M2BG, 40DRS51.1M2AG, 40DRS51.2M2CG, 40DRS51.5M2BG, 40DRS51.9M2AG, 40DRS51.1T2CG, 40DRS51.1T2BG, 40DRS51.4T2AG, 40DRS51.6T2CG, 40DRS51.6T2BG, 40DRS52.4T2AG, 40DRS53.1T2BG, 40DRS53.1T2AG, 40DRS54.2T2CG, 40DRS55T2BG, 40DRS55T2AG. |  |
|                             | Materials                                          | Casing                                                           | Cast iron EN-GJL-250                                                                                                                                                                                                                                          |  |
|                             |                                                    | Impeller                                                         | Cast-iron EN-GJS-400                                                                                                                                                                                                                                          |  |
|                             |                                                    | Suction Cover                                                    | Cast iron EN-GJL-250                                                                                                                                                                                                                                          |  |
|                             |                                                    | Shaft                                                            | Stainless Steel AISI 420B/431                                                                                                                                                                                                                                 |  |
| Motor frame                 |                                                    | Cast iron EN-GJL-250                                             |                                                                                                                                                                                                                                                               |  |
| Fasteners                   |                                                    | A2 class - AISI 304                                              |                                                                                                                                                                                                                                                               |  |
| Mechanical seal             |                                                    | SiC                                                              | Impeller side                                                                                                                                                                                                                                                 |  |
|                             |                                                    | Ceramic/Graphite                                                 | Motor side                                                                                                                                                                                                                                                    |  |
| Accessories                 |                                                    | Nitrile                                                          | O-rings and lip seal                                                                                                                                                                                                                                          |  |
|                             |                                                    | Lubricant: AGIP ITE 360                                          |                                                                                                                                                                                                                                                               |  |
| Applicable standard of test |                                                    | Screwed flange square type                                       |                                                                                                                                                                                                                                                               |  |
|                             |                                                    | Discharge threaded elbow                                         |                                                                                                                                                                                                                                                               |  |
|                             | Standard                                           | Quick Discharge Connector (QDC): PA type                         |                                                                                                                                                                                                                                                               |  |
|                             |                                                    | Control Panel with capacitor and disjunctour (only single phase) |                                                                                                                                                                                                                                                               |  |
|                             |                                                    | ISO 9906 Annex A                                                 |                                                                                                                                                                                                                                                               |  |
| <b>MOTOR</b>                | Type                                               | Single Phase                                                     | Three Phase                                                                                                                                                                                                                                                   |  |
|                             |                                                    | Dry motor, cooled by surrounding liquid                          |                                                                                                                                                                                                                                                               |  |
|                             | No. of Poles                                       | 2                                                                |                                                                                                                                                                                                                                                               |  |
|                             | Rotation speed [min <sup>-1</sup> ]                | 2850                                                             |                                                                                                                                                                                                                                                               |  |
|                             | Insulation Class                                   | H                                                                |                                                                                                                                                                                                                                                               |  |
|                             | Protection degree                                  | IP 68                                                            |                                                                                                                                                                                                                                                               |  |
|                             | Power Rating [kW]                                  | 1.1 ÷ 5.0                                                        |                                                                                                                                                                                                                                                               |  |
|                             | Frequency [Hz]                                     | 50 -5/+3 %                                                       |                                                                                                                                                                                                                                                               |  |
|                             | Voltage [V]                                        | 230 ±10%                                                         | 400/690 ±10%                                                                                                                                                                                                                                                  |  |
|                             | Starting                                           | DOL                                                              | DOL - Y/Δ                                                                                                                                                                                                                                                     |  |
|                             | Over load protection                               | No                                                               | No                                                                                                                                                                                                                                                            |  |
|                             |                                                    | Yes                                                              | Yes 40DRS54.2T2CG, 40DRS55T2BG, 40DRS55T2AG                                                                                                                                                                                                                   |  |
|                             | Humidity probe                                     | No                                                               | No                                                                                                                                                                                                                                                            |  |
|                             |                                                    | Yes                                                              | Yes 40DRS54.2T2CG, 40DRS55T2BG, 40DRS55T2AG                                                                                                                                                                                                                   |  |
| Floating switch             | Up to 1.9 kW                                       | -                                                                |                                                                                                                                                                                                                                                               |  |
| Cable                       | material                                           | Neoprene H07RN/F                                                 |                                                                                                                                                                                                                                                               |  |
|                             | length [m]                                         | 10                                                               |                                                                                                                                                                                                                                                               |  |
| size [mm]                   | 4G1.5                                              | 4G1.5                                                            |                                                                                                                                                                                                                                                               |  |
|                             |                                                    | 4G2.5                                                            | 40DRS53.1T2BG, 40DRS53.1T2AG                                                                                                                                                                                                                                  |  |
|                             |                                                    | 12G1.5                                                           | 40DRS54.2T2CG, 40DRS54.2T2CG, 40DRS55T2AG                                                                                                                                                                                                                     |  |
| Bearings                    | Overdimensioned, life lubricated, maintenance free |                                                                  |                                                                                                                                                                                                                                                               |  |

**SPECIFICATION: DRS (Sewage Pump)**

**50 Hz**

Rev. E

|                             |                                     | <b>65DRS</b>                                                                                       |                                                                                                                         |                                                                                                                                                       |
|-----------------------------|-------------------------------------|----------------------------------------------------------------------------------------------------|-------------------------------------------------------------------------------------------------------------------------|-------------------------------------------------------------------------------------------------------------------------------------------------------|
| <b>PUMP</b>                 | Type of liquid                      | Sewage                                                                                             |                                                                                                                         |                                                                                                                                                       |
|                             | Max Temp. [°C]                      | < 40°                                                                                              |                                                                                                                         |                                                                                                                                                       |
|                             | Max solids size [mm]                | 8                                                                                                  | 65DRS57.5T2BG, 65DRS56.5T2CG                                                                                            |                                                                                                                                                       |
|                             |                                     | 10                                                                                                 | 65DRS59T2DG, 65DRS511T2CG, 65DRS513.8T2BG, 65DRS513.8T2AG, 65DRS514.9T2GG, 65DRS520T2BG, 65DRS522.4T2AG, 65DRS525.1T2AG |                                                                                                                                                       |
|                             | Submergence                         | Max [m]                                                                                            | 20                                                                                                                      |                                                                                                                                                       |
|                             |                                     | Min [m]                                                                                            | Refer to low water level (L.W.L.) and usage restriction in dimension                                                    |                                                                                                                                                       |
|                             | Construction                        | Impeller                                                                                           | Grinder                                                                                                                 |                                                                                                                                                       |
|                             |                                     | Shaft seal type                                                                                    | Oil lubricated, single spring single mechanical seal + Lip Seal                                                         |                                                                                                                                                       |
|                             | Connection                          | Suction [mm]                                                                                       | -                                                                                                                       | 65DRS57.5T2BG, 65DRS56.5T2CG, 65DRS59T2DG, 65DRS511T2CG, 65DRS513.8T2BG, 65DRS513.8T2AG, 65DRS514.9T2GG, 65DRS520T2BG, 65DRS522.4T2AG, 65DRS525.1T2AG |
|                             |                                     | Discharge [mm]<br>(*According to EN 1092-2)                                                        | DN65*                                                                                                                   | 65DRS57.5T2BG, 65DRS56.5T2CG, 65DRS59T2DG, 65DRS511T2CG, 65DRS513.8T2BG, 65DRS513.8T2AG, 65DRS514.9T2GG, 65DRS520T2BG, 65DRS522.4T2AG, 65DRS525.1T2AG |
|                             | Materials                           | Casing                                                                                             | Cast iron EN-GJL-250                                                                                                    |                                                                                                                                                       |
|                             |                                     | Impeller                                                                                           | Cast-iron EN-GJS-400                                                                                                    |                                                                                                                                                       |
|                             |                                     | Suction Cover                                                                                      | Cast iron EN-GJL-250                                                                                                    |                                                                                                                                                       |
|                             |                                     | Shaft                                                                                              | Stainless Steel AISI 420B/431                                                                                           |                                                                                                                                                       |
|                             |                                     | Motor frame                                                                                        | Cast iron EN-GJL-250                                                                                                    |                                                                                                                                                       |
| Fasteners                   |                                     | A2 class - AISI 304                                                                                |                                                                                                                         |                                                                                                                                                       |
| Mechanical seal             |                                     | SiC<br>Ceramic/Graphite<br>Nitrile<br>Lubricant: AGIP ITE 360                                      | Impeller side<br>Motor side<br>O-rings and lip seal                                                                     |                                                                                                                                                       |
| Accessories                 | Standard                            | Screwed flange square type<br>Discharge threaded elbow<br>Quick Discharge Connector (QDC): PA type |                                                                                                                         |                                                                                                                                                       |
| Applicable standard of test |                                     | ISO 9906 Annex A                                                                                   |                                                                                                                         |                                                                                                                                                       |
| <b>MOTOR</b>                | Type                                | Three Phase<br>Dry motor, cooled by surrounding liquid                                             |                                                                                                                         |                                                                                                                                                       |
|                             | No. of Poles                        | 2                                                                                                  |                                                                                                                         |                                                                                                                                                       |
|                             | Rotation speed [min <sup>-1</sup> ] | 2850                                                                                               |                                                                                                                         |                                                                                                                                                       |
|                             | Insulation Class                    | H                                                                                                  |                                                                                                                         |                                                                                                                                                       |
|                             | Protection degree                   | IP 68                                                                                              |                                                                                                                         |                                                                                                                                                       |
|                             | Power Rating [kW]                   | 7.5 ÷ 25.1                                                                                         |                                                                                                                         |                                                                                                                                                       |
|                             | Frequency [Hz]                      | 50 -5/+3 %                                                                                         |                                                                                                                         |                                                                                                                                                       |
|                             | Voltage [V]                         | 400/690 ±10%                                                                                       |                                                                                                                         |                                                                                                                                                       |
|                             | Starting                            | DOL - Y/Δ                                                                                          |                                                                                                                         |                                                                                                                                                       |
|                             | Over load protection                | Yes                                                                                                |                                                                                                                         |                                                                                                                                                       |
|                             | Humidity probe                      | Yes                                                                                                |                                                                                                                         |                                                                                                                                                       |
|                             | Floating switch                     | -                                                                                                  |                                                                                                                         |                                                                                                                                                       |
|                             | Cable                               | material                                                                                           | Neoprene H07RN/F                                                                                                        |                                                                                                                                                       |
|                             |                                     | length [m]                                                                                         | 10                                                                                                                      |                                                                                                                                                       |
|                             |                                     | size [mm]                                                                                          | 12G1.5<br>12G2.5<br>2x4G10+4G2.5                                                                                        | 65DRS57.5T2BG<br>65DRS520T2BG, 65DRS522.4T2AG,<br>65DRS525.1T2AG                                                                                      |
| Bearings                    |                                     | Overdimensioned, life lubricated, maintenance free                                                 |                                                                                                                         |                                                                                                                                                       |

|                             |                      | <b>65-80DRD</b>                                                                                         |                                                                 |                                                                                        |
|-----------------------------|----------------------|---------------------------------------------------------------------------------------------------------|-----------------------------------------------------------------|----------------------------------------------------------------------------------------|
| <b>PUMP</b>                 | Type of liquid       | Dirty Waters                                                                                            |                                                                 |                                                                                        |
|                             | Max Temp.            | [°C]                                                                                                    | <40°                                                            |                                                                                        |
|                             | Max solids size      | [mm]                                                                                                    | 30                                                              |                                                                                        |
|                             | Submergence          | Max                                                                                                     | [m]                                                             | 20                                                                                     |
|                             |                      | Min                                                                                                     | [m]                                                             | Refer to low water level (L.W.L.) and usage restriction in dimension                   |
|                             | Construction         | Impeller                                                                                                | With channels                                                   |                                                                                        |
|                             |                      | Shaft seal type                                                                                         | Oil lubricated, single spring single mechanical seal + Lip Seal |                                                                                        |
|                             | Connection           | Suction<br>(*According to EN 1092-2)                                                                    | [mm]                                                            | DN80* 65DRD53.1T2CG, 65DRD53.6T2BG, 80DRD55T2BG, 80DRD56T2AG<br>DN100* 80DRD57.5T2AG** |
|                             |                      | Discharge<br>(*According to EN 1092-2)                                                                  | [mm]                                                            | DN65* 65DRD53.1T2CG, 65DRD53.6T2BG<br>DN80* 80DRD55T2BG, 80DRD56T2AG, 80DRD57.5T2AG**  |
|                             | Materials            | Casing                                                                                                  | Cast iron EN-GJL-250                                            |                                                                                        |
|                             |                      | Impeller                                                                                                | Cast-iron EN-GJS-250                                            |                                                                                        |
|                             |                      | Suction Cover                                                                                           | Cast iron EN-GJL-250                                            |                                                                                        |
|                             |                      | Shaft                                                                                                   | Stainless Steel AISI 420B/431                                   |                                                                                        |
|                             |                      | Motor frame                                                                                             | Cast iron EN-GJL-250                                            |                                                                                        |
| Fasteners                   |                      | A2 class - AISI 304                                                                                     |                                                                 |                                                                                        |
|                             | Mechanical seal      | SiC<br>Ceramic/Graphite<br>Nitrile<br>Lubricant: AGIP ITE 360                                           | Impeller side<br>Motor side<br>O-rings and lip seal             |                                                                                        |
| Accessories                 | Standard             | Screwed flange square type<br>Discharge threaded elbow<br>Quick Discharge Connector (QDC): PA type      |                                                                 |                                                                                        |
| Applicable standard of test |                      | ISO 9906 Annex A                                                                                        |                                                                 |                                                                                        |
| <b>MOTOR</b>                | Type                 | Three Phase<br>Dry motor, cooled by surrounding liquid<br>(**available also with cooling jacket)        |                                                                 |                                                                                        |
|                             | No. of Poles         | 2                                                                                                       |                                                                 |                                                                                        |
|                             | Rotation speed       | [min <sup>-1</sup> ]                                                                                    | 2850                                                            |                                                                                        |
|                             | Insulation Class     | H                                                                                                       |                                                                 |                                                                                        |
|                             | Protection degree    | IP 68                                                                                                   |                                                                 |                                                                                        |
|                             | Power Rating         | [kW]                                                                                                    | 3.1 ÷ 7.5                                                       |                                                                                        |
|                             | Frequency            | [Hz]                                                                                                    | 50 -5/+3 %                                                      |                                                                                        |
|                             | Voltage              | [V]                                                                                                     | 400 ±10%                                                        | 65DRD53.1T2CG,<br>65DRD53.6T2BG                                                        |
|                             | Starting             | DOL - Y/Δ                                                                                               |                                                                 |                                                                                        |
|                             | Over load protection | No                                                                                                      | 65DRD53.1T2CG,<br>65DRD53.6T2BG                                 | Yes                                                                                    |
|                             | Humidity probe       | No                                                                                                      | 65DRD53.1T2CG,<br>65DRD53.6T2BG                                 | Yes                                                                                    |
|                             | Floating switch      | -                                                                                                       |                                                                 |                                                                                        |
|                             | Cable                | material                                                                                                | Neoprene H07RN/F                                                |                                                                                        |
|                             |                      | length                                                                                                  | [m]                                                             | 10                                                                                     |
| size                        |                      | [mm]                                                                                                    | 4G2.5                                                           | 12G1.5<br>12G2.5 80DRD57.5T2AG                                                         |
| Bearings                    |                      | Overdimensioned, life lubricated, maintenance free<br>Overdimensioned double ball bearing with greasers |                                                                 |                                                                                        |

|                             |                                     | <b>100DRD</b>                                                                  |                                                                                                                    |                                               |  |
|-----------------------------|-------------------------------------|--------------------------------------------------------------------------------|--------------------------------------------------------------------------------------------------------------------|-----------------------------------------------|--|
| <b>PUMP</b>                 | Type of liquid                      | Dirty Waters                                                                   |                                                                                                                    |                                               |  |
|                             | Max Temp. [°C]                      | <40°                                                                           |                                                                                                                    |                                               |  |
|                             | Max solids size [mm]                | 40                                                                             | 100DRD512T2DG**, 100DRD514.9T2CG**, 100DRD516.6T2BG**, 100DRD518.2T2AG**, 100DRD520T2AG**                          |                                               |  |
|                             |                                     | 60                                                                             | 100DRD57.1T4BG**                                                                                                   |                                               |  |
|                             |                                     | 80                                                                             | 100DRD52.7T6AG, 100DRD52.8T6AG, 100DRD54.6T4CG, 100DRD54.6T4BG, 100DRD57.5T4FG**, 100DRD510T4FG**, 100DRD510T4AG** |                                               |  |
|                             | Submergence                         | Max [m]                                                                        | 20                                                                                                                 |                                               |  |
|                             |                                     | Min [m]                                                                        | Refer to low water level (L.W.L.) and usage restriction in dimension                                               |                                               |  |
|                             | Construction                        | Impeller                                                                       | With channels                                                                                                      |                                               |  |
|                             |                                     | Shaft seal type                                                                | Oil lubricated, single spring single mechanical seal + Lip Seal                                                    |                                               |  |
|                             | Connection                          | Suction (* According to EN 1092-2) [mm]                                        | DN100*                                                                                                             |                                               |  |
|                             |                                     | Discharge (* According to EN 1092-2) [mm]                                      | DN125*                                                                                                             |                                               |  |
|                             | Materials                           | Casing                                                                         | Cast iron EN-GJL-250                                                                                               |                                               |  |
|                             |                                     | Impeller                                                                       | Cast-iron EN-GJS-250                                                                                               |                                               |  |
|                             |                                     | Suction Cover                                                                  | Cast iron EN-GJL-250                                                                                               |                                               |  |
|                             |                                     | Shaft                                                                          | Stainless Steel AISI 420B/431                                                                                      |                                               |  |
| Motor frame                 |                                     | Cast iron EN-GJL-250                                                           |                                                                                                                    |                                               |  |
| Fasteners                   |                                     | A2 class - AISI 304                                                            |                                                                                                                    |                                               |  |
| Mechanical seal             |                                     | SiC                                                                            | Impeller side                                                                                                      |                                               |  |
|                             |                                     | Ceramic/Graphite                                                               | Motor side                                                                                                         |                                               |  |
| Accessories                 | Standard                            | Screwed flange square type                                                     |                                                                                                                    |                                               |  |
|                             |                                     | Discharge threaded elbow                                                       |                                                                                                                    |                                               |  |
| Applicable standard of test |                                     | Quick Discharge Connector (QDC): PA type                                       |                                                                                                                    |                                               |  |
|                             |                                     | ISO 9906 Annex A                                                               |                                                                                                                    |                                               |  |
| <b>MOTOR</b>                | Type                                | Three Phase                                                                    |                                                                                                                    |                                               |  |
|                             |                                     | Dry motor, cooled by surrounding liquid (**available also with cooling jacket) |                                                                                                                    |                                               |  |
|                             | No. of Poles                        | 2                                                                              | 4                                                                                                                  | 6                                             |  |
|                             | Rotation speed [min <sup>-1</sup> ] | 2850                                                                           | 1450                                                                                                               | 950                                           |  |
|                             | Insulation Class                    | H                                                                              |                                                                                                                    |                                               |  |
|                             | Protection degree                   | IP 68                                                                          |                                                                                                                    |                                               |  |
|                             | Power Rating [kW]                   | 12 + 20                                                                        | 4.6 + 10                                                                                                           | 2.7 + 2.8                                     |  |
|                             | Frequency [Hz]                      | 50 -5/+3 %                                                                     |                                                                                                                    |                                               |  |
|                             | Voltage [V]                         | 400/690 ±10%                                                                   | 400 ±10                                                                                                            | 100DRD52.7T4CG<br>400/690 ±10%                |  |
|                             | Starting                            | DOL - Y/Δ                                                                      |                                                                                                                    |                                               |  |
|                             | Over load protection                | Yes                                                                            | No                                                                                                                 | 100DRD52.7T4CG<br>Yes                         |  |
|                             | Humidity probe                      | Yes                                                                            | No                                                                                                                 | 100DRD52.7T4CG<br>Yes                         |  |
|                             | Floating switch                     | -                                                                              |                                                                                                                    |                                               |  |
|                             | Cable                               | material                                                                       | Neoprene H07RN/F                                                                                                   |                                               |  |
|                             |                                     | length [m]                                                                     | 10                                                                                                                 |                                               |  |
| size [mm]                   |                                     | 12G1.5                                                                         | 100DRD54.6T4CG,<br>100DRD54.6T4BG                                                                                  | 4G2.5 100DRD52.7T6AG<br>12G1.5 100DRD52.8T6AG |  |
| Bearings                    |                                     | 12G2.5                                                                         | 100DRD520T2AG**                                                                                                    |                                               |  |
|                             |                                     | 10G4                                                                           |                                                                                                                    |                                               |  |
|                             |                                     | Overdimensioned, life lubricated, maintenance free                             |                                                                                                                    |                                               |  |
|                             |                                     | Overdimensioned, double ball bearing with greasers (4 poles)                   |                                                                                                                    |                                               |  |

|                             |                                                                                                                    | <b>150DRD</b>                                                                                      |                                                                                                                 |                                                               |                                                                               |
|-----------------------------|--------------------------------------------------------------------------------------------------------------------|----------------------------------------------------------------------------------------------------|-----------------------------------------------------------------------------------------------------------------|---------------------------------------------------------------|-------------------------------------------------------------------------------|
| <b>PUMP</b>                 | Type of liquid                                                                                                     | Dirty Waters                                                                                       |                                                                                                                 |                                                               |                                                                               |
|                             | Max Temp. [°C]                                                                                                     | <40°                                                                                               |                                                                                                                 |                                                               |                                                                               |
|                             | Max solids size [mm]                                                                                               | 50                                                                                                 | 150DRD540.2T2BG, 150DRD552T2CG, 150DRD535T2AG<br>150DRD560T4GG, 150DRD575T4CG, 150DRD580T4BG,<br>150DRD580T4AG  |                                                               |                                                                               |
|                             |                                                                                                                    | 80                                                                                                 | 150DRD56T6CG, 150DRD58T6BG, 150DRD527T4AG,<br>150DRD530.1T4BG, 150DRD535.7T4AG                                  |                                                               |                                                                               |
|                             |                                                                                                                    | 100                                                                                                | 150DRD512T6AG, 150DRD514T6BG, 150DRD523T4CG,<br>150DRD527T4BG, 150DRD530T4BG, 150DRD535.7T4EG,<br>150DRD541T4AG |                                                               |                                                                               |
|                             | Submergence                                                                                                        | Max [m]                                                                                            | 20                                                                                                              |                                                               |                                                                               |
|                             |                                                                                                                    | Min [m]                                                                                            | Refer to low water level (L.W.L.) and usage restriction in dimension                                            |                                                               |                                                                               |
|                             | Construction                                                                                                       | Impeller                                                                                           | With channels                                                                                                   |                                                               |                                                                               |
|                             |                                                                                                                    | Shaft seal type                                                                                    | Oil lubricated, single spring single mechanical seal + Lip Seal                                                 |                                                               |                                                                               |
|                             | Connection                                                                                                         | Suction (* According to EN 1092-2) [mm]                                                            | DN150*                                                                                                          | 150DRD560T4GG, 150DRD575T4CG, 150DRD580T4BG,<br>150DRD580T4AG |                                                                               |
|                             |                                                                                                                    | Discharge (* According to EN 1092-2) [mm]                                                          | DN150*                                                                                                          |                                                               |                                                                               |
|                             | Materials                                                                                                          | Casing                                                                                             | Cast iron EN-GJL-250                                                                                            |                                                               |                                                                               |
|                             |                                                                                                                    | Impeller                                                                                           | Cast-iron EN-GJS-250                                                                                            |                                                               |                                                                               |
|                             |                                                                                                                    | Suction Cover                                                                                      | Cast iron EN-GJL-250                                                                                            |                                                               |                                                                               |
|                             |                                                                                                                    | Shaft                                                                                              | Stainless Steel AISI 420B/431                                                                                   |                                                               |                                                                               |
| Motor frame                 |                                                                                                                    | Cast iron EN-GJL-250                                                                               |                                                                                                                 |                                                               |                                                                               |
| Fasteners                   |                                                                                                                    | A2 class - AISI 304                                                                                |                                                                                                                 |                                                               |                                                                               |
| Mechanical seal             |                                                                                                                    | SiC                                                                                                | Impeller side                                                                                                   |                                                               |                                                                               |
|                             |                                                                                                                    | Ceramic/Graphite<br>Nitrile<br>Lubricant: AGIP ITE 360                                             | Motor side<br>O-rings and lip seal                                                                              |                                                               |                                                                               |
| Accessories                 | Standard                                                                                                           | Screwed flange square type<br>Discharge threaded elbow<br>Quick Discharge Connector (QDC): PA type |                                                                                                                 |                                                               |                                                                               |
| Applicable standard of test |                                                                                                                    | ISO 9906 Annex A                                                                                   |                                                                                                                 |                                                               |                                                                               |
| <b>MOTOR</b>                | Type                                                                                                               | Three Phase<br>Dry motor, cooled by surrounding liquid<br>(Available also with cooling jacket)     |                                                                                                                 |                                                               |                                                                               |
|                             | No. of Poles                                                                                                       | 2                                                                                                  | 4                                                                                                               | 6                                                             |                                                                               |
|                             | Rotation speed [min <sup>-1</sup> ]                                                                                | 2850                                                                                               | 1450                                                                                                            | 950                                                           |                                                                               |
|                             | Insulation Class                                                                                                   | H                                                                                                  |                                                                                                                 |                                                               |                                                                               |
|                             | Protection degree                                                                                                  | IP 68                                                                                              |                                                                                                                 |                                                               |                                                                               |
|                             | Power Rating [kW]                                                                                                  | 35 + 52                                                                                            | 23 + 80                                                                                                         | 6 + 14                                                        |                                                                               |
|                             | Frequency [Hz]                                                                                                     | 50 -5/+3 %                                                                                         |                                                                                                                 |                                                               |                                                                               |
|                             | Voltage [V]                                                                                                        | 400/690 ±10%                                                                                       |                                                                                                                 |                                                               |                                                                               |
|                             | Starting                                                                                                           | DOL - Y/Δ                                                                                          |                                                                                                                 |                                                               |                                                                               |
|                             | Over load protection                                                                                               | Yes                                                                                                |                                                                                                                 |                                                               |                                                                               |
|                             | Humidity probe                                                                                                     | Yes                                                                                                |                                                                                                                 |                                                               |                                                                               |
|                             | Floating switch                                                                                                    | -                                                                                                  |                                                                                                                 |                                                               |                                                                               |
|                             | Cable                                                                                                              | material                                                                                           | Neoprene H07RN/F                                                                                                |                                                               |                                                                               |
|                             |                                                                                                                    | length [m]                                                                                         | 10                                                                                                              |                                                               |                                                                               |
|                             |                                                                                                                    | size [mm]                                                                                          | 2x4G10+4G2.5<br>2x4G25+4G2.5                                                                                    | 150DRD575T4CG,<br>150DRD580T4BG,<br>150DRD580T4AG             | 12G2.5 150DRD56T6CG,<br>150DRD58T6BG,<br>10G4 150DRD512T6AG,<br>150DRD514T6BG |
| Bearings                    | Overdimensioned, life lubricated, maintenance free<br>Overdimensioned, double ball bearing with greasers (4 poles) |                                                                                                    |                                                                                                                 |                                                               |                                                                               |

|                             |                                                               | <b>200DRD</b>                                                                                                        |                                                                      |                                                                                           |                                                   |
|-----------------------------|---------------------------------------------------------------|----------------------------------------------------------------------------------------------------------------------|----------------------------------------------------------------------|-------------------------------------------------------------------------------------------|---------------------------------------------------|
| <b>PUMP</b>                 | Type of liquid                                                | Dirty Waters                                                                                                         |                                                                      |                                                                                           |                                                   |
|                             | Max Temp. [°C]                                                | <40°                                                                                                                 |                                                                      |                                                                                           |                                                   |
|                             | Max solids size [mm]                                          | 102                                                                                                                  |                                                                      |                                                                                           |                                                   |
|                             | Submergence                                                   | Max [m]                                                                                                              | 20                                                                   |                                                                                           |                                                   |
|                             |                                                               | Min [m]                                                                                                              | Refer to low water level (L.W.L.) and usage restriction in dimension |                                                                                           |                                                   |
|                             | Construction                                                  | Impeller                                                                                                             | With channels                                                        |                                                                                           |                                                   |
|                             |                                                               | Shaft seal type                                                                                                      | Oil lubricated, single spring single mechanical seal + Lip Seal      |                                                                                           |                                                   |
|                             | Connection                                                    | Suction (*According to EN 1092-2) [mm]                                                                               | DN200*                                                               |                                                                                           |                                                   |
|                             |                                                               | Discharge (*According to EN 1092-2) [mm]                                                                             | DN200*                                                               |                                                                                           |                                                   |
|                             | Materials                                                     | Casing                                                                                                               | Cast iron EN-GJL-250                                                 |                                                                                           |                                                   |
|                             |                                                               | Impeller                                                                                                             | Cast-iron EN-GJS-250                                                 |                                                                                           |                                                   |
|                             |                                                               | Suction Cover                                                                                                        | Cast iron EN-GJL-250                                                 |                                                                                           |                                                   |
|                             |                                                               | Shaft                                                                                                                | Stainless Steel AISI 420B/431                                        |                                                                                           |                                                   |
|                             |                                                               | Motor frame                                                                                                          | Cast iron EN-GJL-250                                                 |                                                                                           |                                                   |
|                             |                                                               | Fasteners                                                                                                            | A2 class - AISI 304                                                  |                                                                                           |                                                   |
| Mechanical seal             | SiC<br>Ceramic/Graphite<br>Nitrile<br>Lubricant: AGIP ITE 360 | Impeller side<br>Motor side<br>O-rings and lip seal                                                                  |                                                                      |                                                                                           |                                                   |
| Accessories                 | Standard                                                      | Screwed flange square type<br>Discharge threaded elbow<br>Quick Discharge Connector (QDC): PA type                   |                                                                      |                                                                                           |                                                   |
| Applicable standard of test |                                                               | ISO 9906 Annex A                                                                                                     |                                                                      |                                                                                           |                                                   |
| <b>MOTOR</b>                | Type                                                          | Three Phase<br>Dry motor, cooled by surrounding liquid<br>(Available also with cooling jacket)                       |                                                                      |                                                                                           |                                                   |
|                             | No. of Poles                                                  | 4                                                                                                                    | 6                                                                    | 8                                                                                         |                                                   |
|                             | Rotation speed [min <sup>-1</sup> ]                           | 1450                                                                                                                 | 950                                                                  | 750                                                                                       |                                                   |
|                             | Insulation Class                                              | H                                                                                                                    |                                                                      |                                                                                           |                                                   |
|                             | Protection degree                                             | IP 68                                                                                                                |                                                                      |                                                                                           |                                                   |
|                             | Power Rating [kW]                                             | 40 ÷ 48                                                                                                              | 9.8 ÷ 23                                                             | 6 ÷ 9.3                                                                                   |                                                   |
|                             | Frequency [Hz]                                                | 50 -5/+3 %                                                                                                           |                                                                      |                                                                                           |                                                   |
|                             | Voltage [V]                                                   | 400/690 ±10%                                                                                                         |                                                                      |                                                                                           |                                                   |
|                             | Starting                                                      | DOL - Y/Δ                                                                                                            |                                                                      |                                                                                           |                                                   |
|                             | Over load protection                                          | Yes                                                                                                                  |                                                                      |                                                                                           |                                                   |
|                             | Humidity probe                                                | Yes                                                                                                                  |                                                                      |                                                                                           |                                                   |
|                             | Floating switch                                               | -                                                                                                                    |                                                                      |                                                                                           |                                                   |
|                             | Cable                                                         | material                                                                                                             | Neoprene H07RN/F                                                     |                                                                                           |                                                   |
|                             |                                                               | length [m]                                                                                                           | 10                                                                   |                                                                                           |                                                   |
|                             |                                                               | size [mm]                                                                                                            | 12G2.5<br>10G4                                                       | 200DRD59.8T6CG<br>200DRD514T6BG,<br>200DRD514T6AG,<br>200DRD515.8T6CG,<br>200DRD518.9T6BG | 10G4<br>12G2.5<br>200DRD56.2T8CG,<br>200DRD58T8AG |
| Bearings                    |                                                               | Overdimensioned, life lubricated, maintenance free<br>Overdimensioned, double ball bearing with greasers (4-8 poles) |                                                                      |                                                                                           |                                                   |

|                             |                                     | <b>250DRD</b>                                                                                                        |                                                                                                                                    |           |
|-----------------------------|-------------------------------------|----------------------------------------------------------------------------------------------------------------------|------------------------------------------------------------------------------------------------------------------------------------|-----------|
| <b>PUMP</b>                 | Type of liquid                      | Dirty Waters                                                                                                         |                                                                                                                                    |           |
|                             | Max Temp. [°C]                      | <40°                                                                                                                 |                                                                                                                                    |           |
|                             | Max solids size [mm]                | 73                                                                                                                   | 250DRD515T4AG                                                                                                                      |           |
|                             |                                     | 105                                                                                                                  |                                                                                                                                    |           |
|                             | Submergence                         | Max [m]                                                                                                              | 20                                                                                                                                 |           |
|                             |                                     | Min [m]                                                                                                              | Refer to low water level (L.W.L.) and usage restriction in dimension                                                               |           |
|                             | Construction                        | Impeller                                                                                                             | With channels                                                                                                                      |           |
|                             |                                     | Shaft seal type                                                                                                      | Oil lubricated, single spring single mechanical seal + Lip Seal                                                                    |           |
|                             | Connection                          | Suction (*According to EN 1092-2) [mm]                                                                               | DN250*                                                                                                                             |           |
|                             |                                     | Discharge (*According to EN 1092-2) [mm]                                                                             | DN250*                                                                                                                             |           |
|                             | Materials                           | Casing                                                                                                               | Cast iron EN-GJL-250                                                                                                               |           |
|                             |                                     | Impeller                                                                                                             | Cast-iron EN-GJS-250                                                                                                               |           |
|                             |                                     | Suction Cover                                                                                                        | Cast iron EN-GJL-250                                                                                                               |           |
|                             |                                     | Shaft                                                                                                                | Stainless Steel AISI 420B/431                                                                                                      |           |
| Motor frame                 |                                     | Cast iron EN-GJL-250                                                                                                 |                                                                                                                                    |           |
| Fasteners                   |                                     | A2 class - AISI 304                                                                                                  |                                                                                                                                    |           |
|                             | Mechanical seal                     | SiC<br>Ceramic/Graphite<br>Nitrile<br>Lubricant: AGIP ITE 360                                                        | Impeller side<br>Motor side<br>O-rings and lip seal                                                                                |           |
| Accessories                 | Standard                            | Screwed flange square type<br>Discharge threaded elbow<br>Quick Discharge Connector (QDC): PA type                   |                                                                                                                                    |           |
| Applicable standard of test |                                     | ISO 9906 Annex A                                                                                                     |                                                                                                                                    |           |
| <b>MOTOR</b>                | Type                                | Three Phase<br>Dry motor, cooled by surrounding liquid<br>(Available also with cooling jacket)                       |                                                                                                                                    |           |
|                             | No. of Poles                        | 4                                                                                                                    | 6                                                                                                                                  | 8         |
|                             | Rotation speed [min <sup>-1</sup> ] | 1450                                                                                                                 | 950                                                                                                                                | 750       |
|                             | Insulation Class                    | H                                                                                                                    |                                                                                                                                    |           |
|                             | Protection degree                   | IP 68                                                                                                                |                                                                                                                                    |           |
|                             | Power Rating [kW]                   | 15 + 85                                                                                                              | 23 + 39.2                                                                                                                          | 12.4 + 19 |
|                             | Frequency [Hz]                      | 50 -5/+3 %                                                                                                           |                                                                                                                                    |           |
|                             | Voltage [V]                         | 400/690 ±10%                                                                                                         |                                                                                                                                    |           |
|                             | Starting                            | DOL - Y/Δ                                                                                                            |                                                                                                                                    |           |
|                             | Over load protection                | Yes                                                                                                                  |                                                                                                                                    |           |
|                             | Humidity probe                      | Yes                                                                                                                  |                                                                                                                                    |           |
|                             | Floating switch                     | -                                                                                                                    |                                                                                                                                    |           |
|                             |                                     | material                                                                                                             | Neoprene H07RN/F                                                                                                                   |           |
|                             |                                     | length [m]                                                                                                           | 10                                                                                                                                 |           |
| Cable                       | size [mm]                           | 2X4G25+4G2.5<br>10G4 250DRD515T4AG                                                                                   | 10G4<br>2X4G10+4G2.5 250DRD517.1T8CG,<br>250DRD519T8AG,<br>250DRD523T6DG,<br>250DRD529T6CG,<br>250DRD539.2T6BG,<br>250DRD539.2T6AG |           |
|                             |                                     | Overdimensioned, life lubricated, maintenance free<br>Overdimensioned, double ball bearing with greasers (4-8 poles) |                                                                                                                                    |           |

## SUBMERSIBLE PUMPS

# D SERIES

### SPECIFICATION: DRD (Dirty Waters/Waste Water Pump)

50 Hz

Rev. E

|                             |                                     | 300DRD                                                                                                             |                                                                      |               |
|-----------------------------|-------------------------------------|--------------------------------------------------------------------------------------------------------------------|----------------------------------------------------------------------|---------------|
| <b>PUMP</b>                 |                                     | Type of liquid                                                                                                     | Dirty Waters                                                         |               |
|                             |                                     | Max Temp. [°C]                                                                                                     | <40°                                                                 |               |
|                             |                                     | Max solids size [mm]                                                                                               | 50x140                                                               |               |
|                             | Submergence                         | Max [m]                                                                                                            | 20                                                                   |               |
|                             |                                     | Min [m]                                                                                                            | Refer to low water level (L.W.L.) and usage restriction in dimension |               |
|                             | Construction                        | Impeller                                                                                                           | With channels                                                        |               |
|                             |                                     | Shaft seal type                                                                                                    | Oil lubricated, single spring single mechanical seal + Lip Seal      |               |
|                             | Connection                          | Suction (*According to EN 1092-2) [mm]                                                                             | DN350*                                                               |               |
|                             |                                     | Discharge (*According to EN 1092-2) [mm]                                                                           | DN300*                                                               |               |
|                             | Materials                           | Casing                                                                                                             | Cast iron EN-GJL-250                                                 |               |
|                             |                                     | Impeller                                                                                                           | Cast-iron EN-GJS-250                                                 |               |
|                             |                                     | Suction Cover                                                                                                      | Cast iron EN-GJL-250                                                 |               |
|                             |                                     | Shaft                                                                                                              | Stainless Steel AISI 420B/431                                        |               |
|                             |                                     | Motor frame                                                                                                        | Cast iron EN-GJL-250                                                 |               |
|                             |                                     | Fasteners                                                                                                          | A2 class - AISI 304                                                  |               |
|                             |                                     | Mechanical seal                                                                                                    | SiC                                                                  | Impeller side |
| Accessories                 | Standard                            | Ceramic/Graphite                                                                                                   | Motor side                                                           |               |
|                             |                                     | Nitrile                                                                                                            | O-rings and lip seal                                                 |               |
|                             |                                     | Lubricant: AGIP ITE 360                                                                                            |                                                                      |               |
|                             |                                     | Screwed flange square type<br>Discharge threaded elbow<br>Quick Discharge Connector (QDC): PA type                 |                                                                      |               |
| Applicable standard of test |                                     | ISO 9906 Annex A                                                                                                   |                                                                      |               |
| <b>MOTOR</b>                | Type                                | Three Phase<br>Dry motor, cooled by surrounding liquid<br>(Available also with cooling jacket)                     |                                                                      |               |
|                             | No. of Poles                        | 6                                                                                                                  | 8                                                                    |               |
|                             | Rotation speed [min <sup>-1</sup> ] | 950                                                                                                                | 750                                                                  |               |
|                             | Insulation Class                    | H                                                                                                                  |                                                                      |               |
|                             | Protection degree                   | IP 68                                                                                                              |                                                                      |               |
|                             | Power Rating [kW]                   | 33.4 ÷ 65                                                                                                          | 21.8 ÷ 26.7                                                          |               |
|                             | Frequency [Hz]                      | 50 -5/+3 %                                                                                                         |                                                                      |               |
|                             | Voltage [V]                         | 400/690 ±10%                                                                                                       |                                                                      |               |
|                             | Starting                            | DOL - Y/Δ                                                                                                          |                                                                      |               |
|                             | Over load protection                | Yes                                                                                                                |                                                                      |               |
|                             | Humidity probe                      | Yes                                                                                                                |                                                                      |               |
|                             | Floating switch                     | -                                                                                                                  |                                                                      |               |
|                             | Cable                               | material                                                                                                           | Neoprene H07RN/F                                                     |               |
|                             |                                     | length [m]                                                                                                         | 10                                                                   |               |
|                             |                                     | size [mm]                                                                                                          | 2X4G10+4G2.5<br>2X4G25+4G2.5 300DRD555.8T6BG, 300DRD565T6AG          |               |
|                             | Bearings                            | Overdimensioned, life lubricated, maintenance free<br>Overdimensioned, double ball bearing with greasers (8 poles) |                                                                      |               |

216



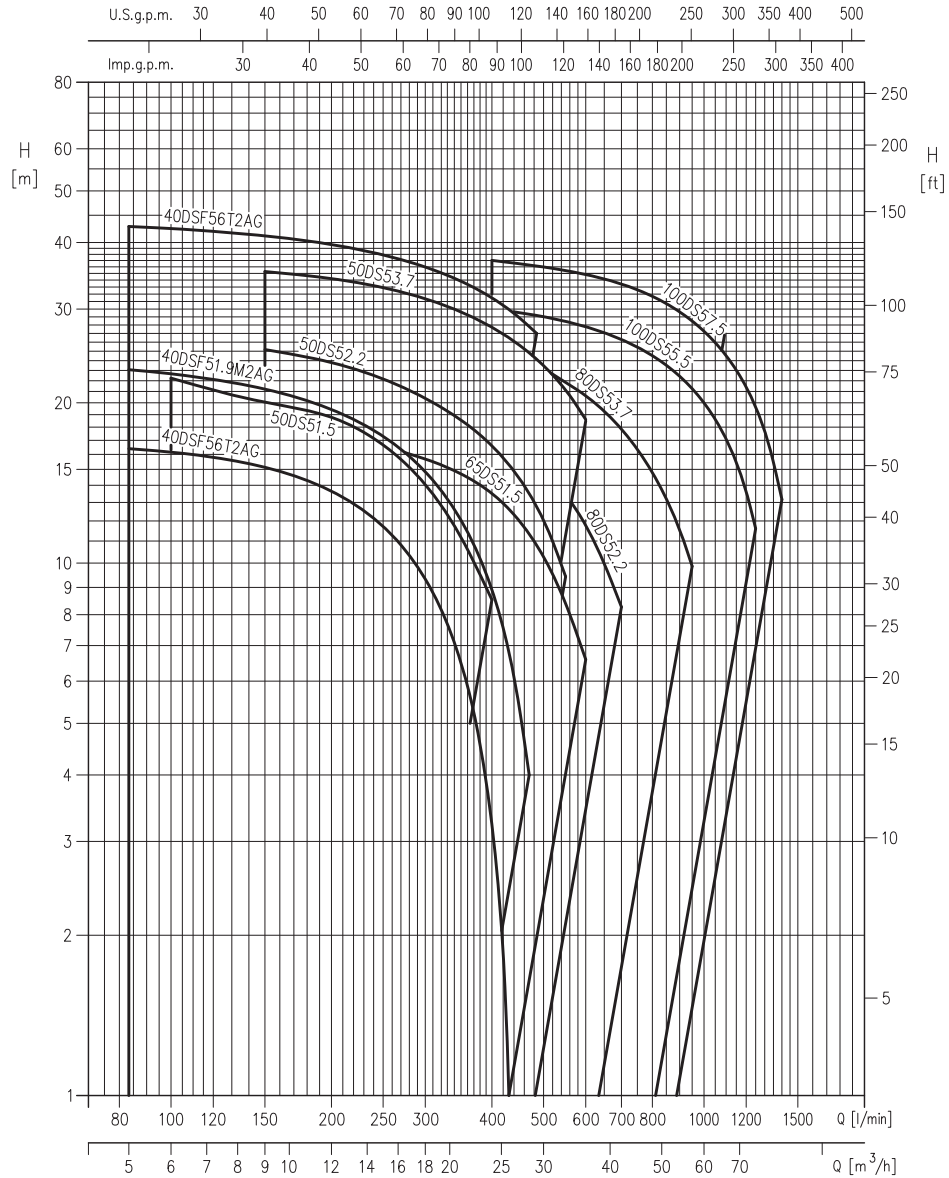
| <b>350DRD</b>               |                                     |                                                                                                             |                                                                                                    |
|-----------------------------|-------------------------------------|-------------------------------------------------------------------------------------------------------------|----------------------------------------------------------------------------------------------------|
| <b>PUMP</b>                 | Type of liquid                      | Dirty Waters                                                                                                |                                                                                                    |
|                             | Max Temp. [°C]                      | <40°                                                                                                        |                                                                                                    |
|                             | Max solids size [mm]                | 112                                                                                                         |                                                                                                    |
|                             | Submergence                         | Max [m]                                                                                                     | 20                                                                                                 |
|                             |                                     | Min [m]                                                                                                     | Refer to low water level (L.W.L.) and usage restriction in dimension                               |
|                             | Construction                        | Impeller                                                                                                    | With channels                                                                                      |
|                             |                                     | Shaft seal type                                                                                             | Oil lubricated, single spring single mechanical seal + Lip Seal                                    |
|                             | Connection                          | Suction (*According to EN 1092-2) [mm]                                                                      | DN400*                                                                                             |
|                             |                                     | Discharge (*According to EN 1092-2) [mm]                                                                    | DN350*                                                                                             |
|                             | Materials                           | Casing                                                                                                      | Cast iron EN-GJL-250                                                                               |
|                             |                                     | Impeller                                                                                                    | Cast-iron EN-GJS-250                                                                               |
|                             |                                     | Suction Cover                                                                                               | Cast iron EN-GJL-250                                                                               |
|                             |                                     | Shaft                                                                                                       | Stainless Steel AISI 420B/431                                                                      |
|                             |                                     | Motor frame                                                                                                 | Cast iron EN-GJL-250                                                                               |
|                             |                                     | Fasteners                                                                                                   | A2 class - AISI 304                                                                                |
|                             | Mechanical seal                     | SiC Impeller side<br>Ceramic/Graphite Motor side<br>Nitrile O-rings and lip seal<br>Lubricant: AGIP ITE 360 |                                                                                                    |
|                             | Accessories                         | Standard                                                                                                    | Screwed flange square type<br>Discharge threaded elbow<br>Quick Discharge Connector (QDC): PA type |
| Applicable standard of test |                                     | ISO 9906 Annex A                                                                                            |                                                                                                    |
| <b>MOTOR</b>                | Type                                | Three Phase<br>Dry motor, cooled by surrounding liquid<br>(Available also with cooling jacket)              |                                                                                                    |
|                             | No. of Poles                        | 8                                                                                                           |                                                                                                    |
|                             | Rotation speed [min <sup>-1</sup> ] | 750                                                                                                         |                                                                                                    |
|                             | Insulation Class                    | H                                                                                                           |                                                                                                    |
|                             | Protection degree                   | IP 68                                                                                                       |                                                                                                    |
|                             | Power Rating [kW]                   | 40 ÷ 45                                                                                                     |                                                                                                    |
|                             | Frequency [Hz]                      | 50 -5/+3 %                                                                                                  |                                                                                                    |
|                             | Voltage [V]                         | 400/690 ±10%                                                                                                |                                                                                                    |
|                             | Starting                            | DOL - Y/Δ                                                                                                   |                                                                                                    |
|                             | Over load protection                | Yes                                                                                                         |                                                                                                    |
|                             | Humidity probe                      | Yes                                                                                                         |                                                                                                    |
|                             | Floating switch                     | -                                                                                                           |                                                                                                    |
|                             | Cable                               | material                                                                                                    | Neoprene H07RN/F                                                                                   |
| length [m]                  |                                     | 10                                                                                                          |                                                                                                    |
| size [mm]                   |                                     | 2X4G25+4G2.5                                                                                                |                                                                                                    |
| Bearings                    |                                     | Overdimensioned, double ball bearing with greasers                                                          |                                                                                                    |

SELECTION CHART

50 Hz

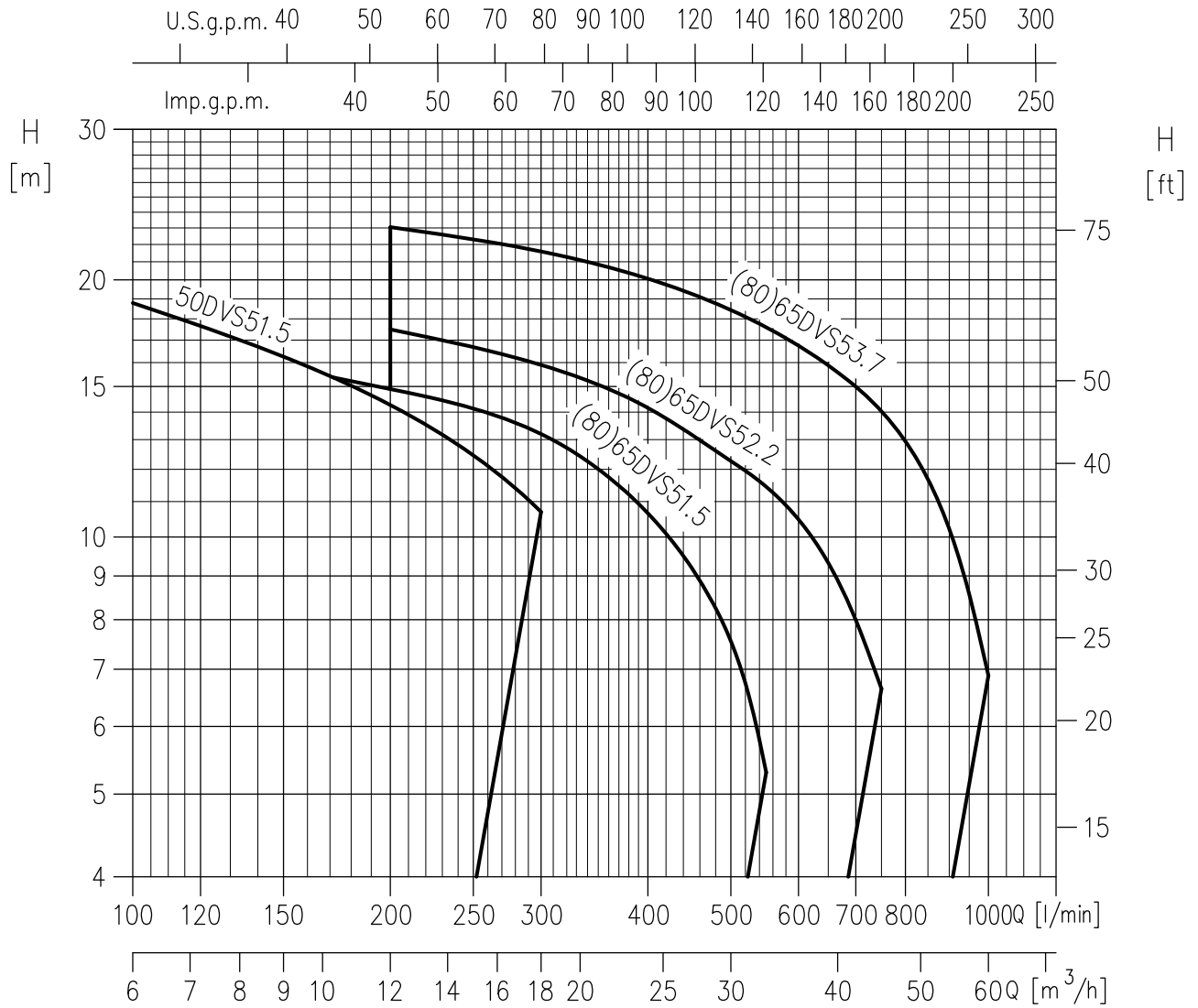
Rev. E

DS-DSF



| Pump Type                         | Power |      | Q=Capacity        |      |      |      |      |      |      |      |      |      |      |      |      |      |      |      |      |      |      |      |      |      |      |      |      |   |  |  |
|-----------------------------------|-------|------|-------------------|------|------|------|------|------|------|------|------|------|------|------|------|------|------|------|------|------|------|------|------|------|------|------|------|---|--|--|
|                                   | [kW]  | [HP] | l/min             | 83   | 100  | 150  | 200  | 250  | 300  | 400  | 433  | 450  | 467  | 473  | 483  | 500  | 550  | 580  | 600  | 700  | 800  | 950  | 1000 | 1170 | 1200 | 1250 | 1400 |   |  |  |
|                                   |       |      | m <sup>3</sup> /h | 5    | 6    | 9    | 12   | 15   | 18   | 24   | 26   | 27   | 28   | 28.4 | 29   | 30   | 33   | 34.8 | 36   | 42   | 48   | 57   | 60   | 70.2 | 72   | 75   | 84   |   |  |  |
| H=Total manometric head in meters |       |      |                   |      |      |      |      |      |      |      |      |      |      |      |      |      |      |      |      |      |      |      |      |      |      |      |      |   |  |  |
| 40DSF51.5M2CG                     | 1.5   | 2    | 16.9              | 16.4 | 16.2 | 15.1 | 13.6 | 11.7 | 9.3  | 3.2  | 0.8  | -    | -    | -    | -    | -    | -    | -    | -    | -    | -    | -    | -    | -    | -    | -    | -    | - |  |  |
| 40DSF51.9M2AG                     | 1.9   | 2.5  | 24.6              | 23.1 | 22.7 | 21.2 | 19.4 | 17.3 | 14.8 | 8.9  | 6.6  | 5.4  | 4.2  | -    | -    | -    | -    | -    | -    | -    | -    | -    | -    | -    | -    | -    | -    | - |  |  |
| 40DSF56T2AG                       | 6     | 8    | 45                | 43   | 42.5 | 41   | 39.6 | 37.9 | 36   | 31.5 | 30   | 28.9 | 28   | 27.7 | 27.1 | -    | -    | -    | -    | -    | -    | -    | -    | -    | -    | -    | -    | - |  |  |
| 50DS51.5                          | 1.5   | 2    | 24                | -    | 22.3 | 20.7 | 18.8 | 16.5 | 14   | 8.5  | -    | -    | -    | -    | -    | -    | -    | -    | -    | -    | -    | -    | -    | -    | -    | -    | -    | - |  |  |
| 50DS52.2                          | 2.2   | 3    | 27                | -    | 25.2 | 23.7 | 22.1 | 20.4 | 16.6 | 15.2 | 14.4 | 13.6 | 13.3 | 12.9 | 12   | 9.4  | -    | -    | -    | -    | -    | -    | -    | -    | -    | -    | -    | - |  |  |
| 50DS53.7                          | 3.7   | 5    | 37.4              | -    | 35.3 | 34.2 | 32.9 | 31.4 | 27.7 | 26.4 | 25.7 | 25.0 | 24.6 | 24.2 | 23.5 | 21.1 | 19.5 | 18.6 | -    | -    | -    | -    | -    | -    | -    | -    | -    | - |  |  |
| 65DS51.5                          | 1.5   | 2    | 18                | -    | 17.5 | 17.1 | 16.5 | 15.7 | 13.5 | 12.5 | 12   | 11   | 11.2 | 10.9 | 10.3 | 8.5  | 7.3  | 6.6  | -    | -    | -    | -    | -    | -    | -    | -    | -    | - |  |  |
| 80DS52.2                          | 2.2   | 3    | 22                | -    | 20.8 | 20.2 | 19.4 | 17.6 | 16.8 | 16.4 | 15.9 | 15.8 | 15.5 | 15   | 13.4 | 12.5 | 11.8 | 8.3  | -    | -    | -    | -    | -    | -    | -    | -    | -    | - |  |  |
| 80DS53.7                          | 3.7   | 5    | 27.5              | -    | 26.3 | 25.8 | 24.6 | 24.0 | 23.7 | 23.5 | 23.3 | 23.1 | 22.8 | 21.8 | 21.2 | 20.6 | 17.8 | 14.8 | 9.9  | -    | -    | -    | -    | -    | -    | -    | -    | - |  |  |
| 100DS55.5                         | 5.5   | 7.5  | 31.6              | -    | -    | -    | -    | 30.7 | 30   | 30   | 29.5 | 29.4 | 29.3 | 29.2 | 29   | 28.4 | 28   | 27.8 | 26.3 | 24.5 | 21.3 | 20.0 | 14.8 | 13.6 | 11.6 | -    | -    |   |  |  |
| 100DS57.5                         | 7.5   | 10   | 39.2              | -    | -    | -    | -    | -    | 37   | 37   | 36.6 | 36.4 | 36.3 | 36.2 | 36   | 35.5 | 35.1 | 34.8 | 33.4 | 31.7 | 28.5 | 27.3 | 22.5 | 21.4 | 19.7 | 13.2 | -    |   |  |  |

**DVS**



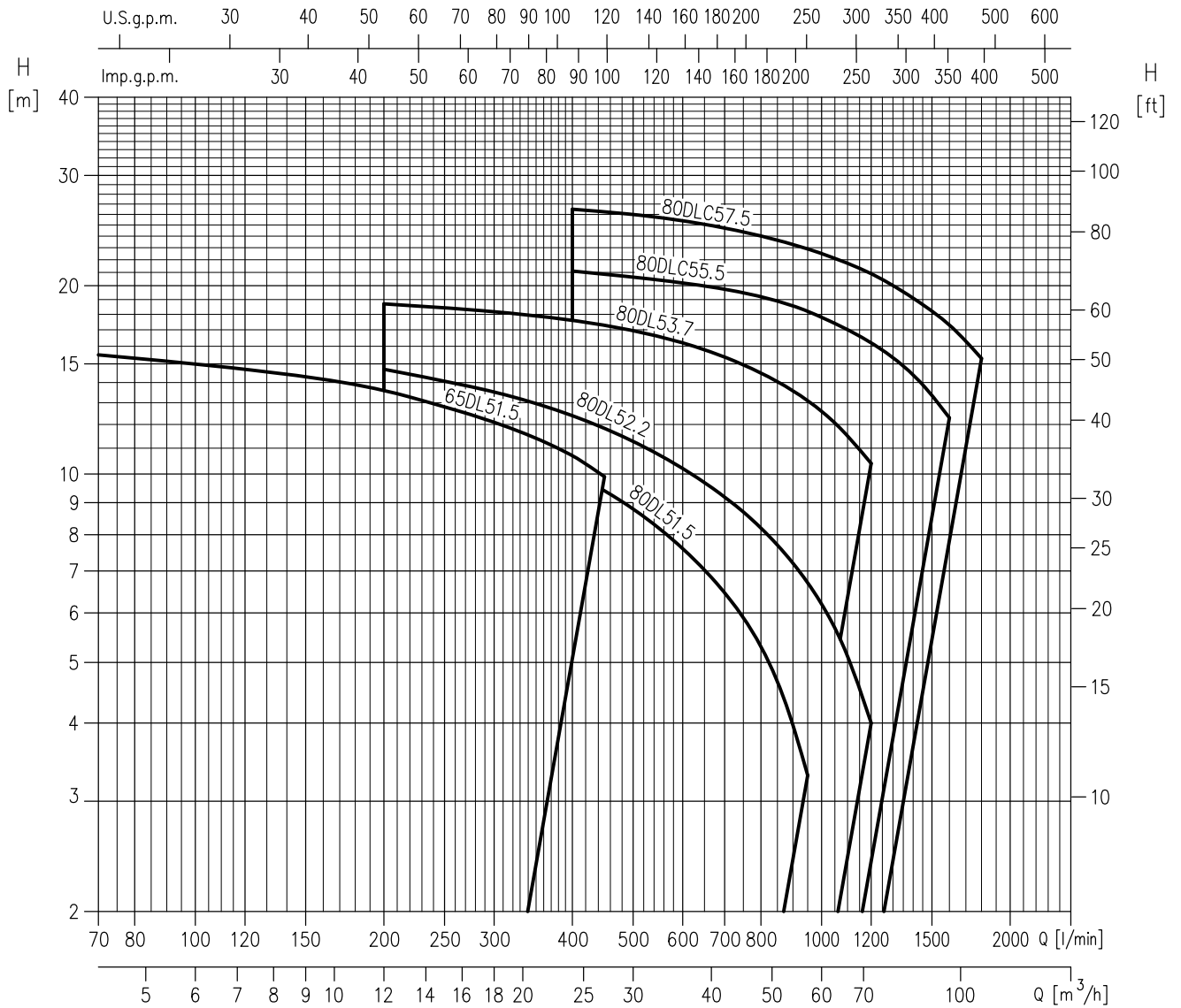
| Pump Type                         | Power |      | Q=Capacity |      |      |      |      |      |      |      |      |      |      |      |      |   |
|-----------------------------------|-------|------|------------|------|------|------|------|------|------|------|------|------|------|------|------|---|
|                                   | [kW]  | [HP] | l/min 0    | 100  | 150  | 200  | 300  | 400  | 500  | 550  | 600  | 700  | 750  | 900  | 1000 |   |
|                                   |       |      | m³/h 0     | 6    | 9    | 12   | 18   | 24   | 30   | 33   | 36   | 42   | 45   | 54   | 60   |   |
| H=Total manometric head in meters |       |      |            |      |      |      |      |      |      |      |      |      |      |      |      |   |
| 50DVS51.5                         | 1.5   | 2    | 22.0       | 18.8 | 16.6 | 14.3 | 10.7 | -    | -    | -    | -    | -    | -    | -    | -    | - |
| (80)65DVS51.5                     | 1.5   | 2    | 18.6       | -    | 15.8 | 14.9 | 13.2 | 10.9 | 7.6  | 5.3  | -    | -    | -    | -    | -    | - |
| (80)65DVS52.2                     | 2.2   | 3    | 20.3       | -    | -    | 17.5 | 15.9 | 14.2 | 12.3 | 11.5 | 10.5 | 8.1  | 6.6  | -    | -    | - |
| (80)65DVS53.7                     | 3.7   | 5    | 25.7       | -    | -    | 23.0 | 21.6 | 20.1 | 18.4 | 17.6 | 16.7 | 15.0 | 14.0 | 10.4 | 6.9  | - |

**SELECTION CHART**

**50 Hz**

Rev. E

**65DL, 80DL**



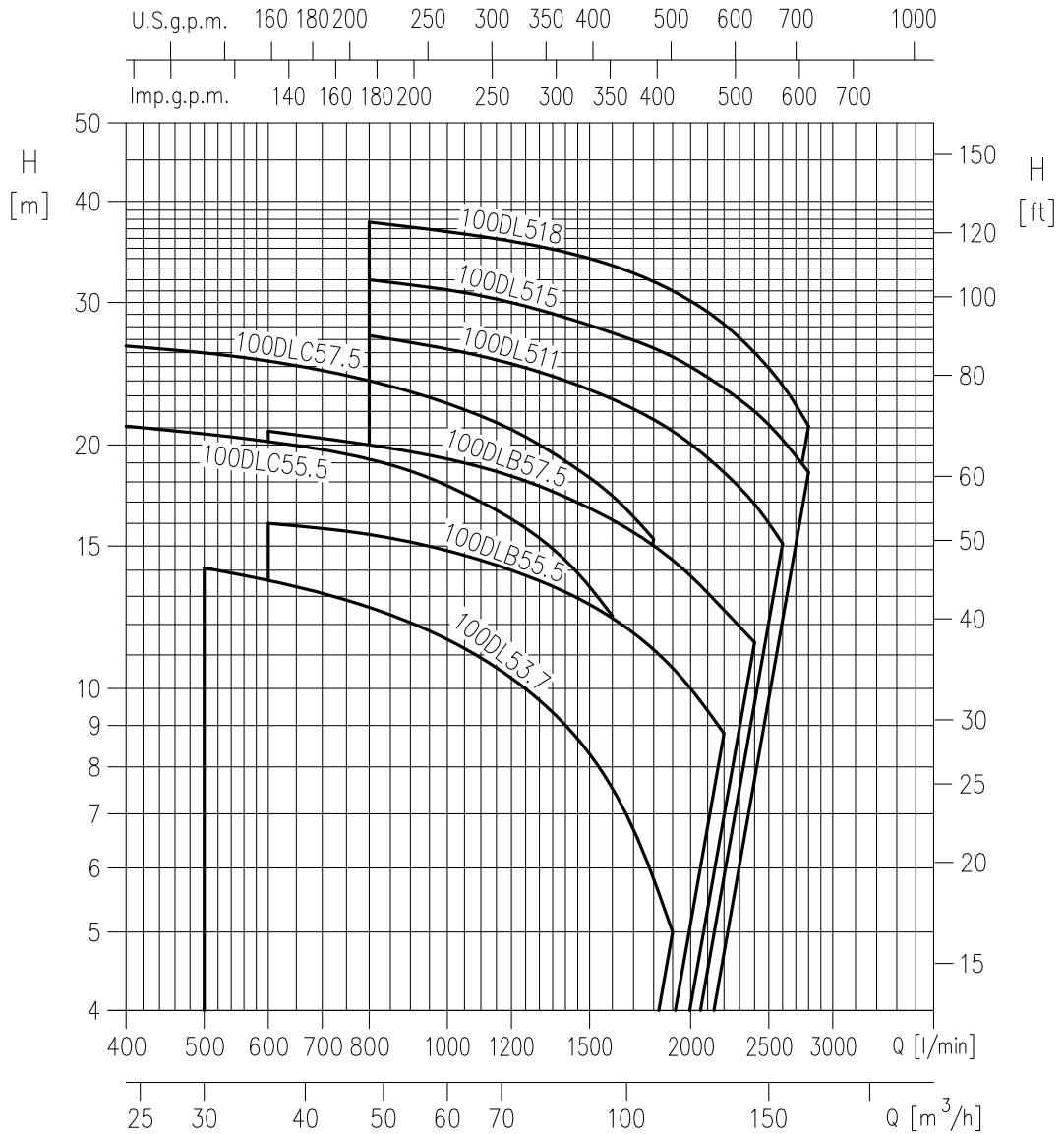
| Pump Type                         | Power |      | Q=Capacity |      |      |      |      |      |      |      |      |      |      |      |      |      |
|-----------------------------------|-------|------|------------|------|------|------|------|------|------|------|------|------|------|------|------|------|
|                                   | [kW]  | [HP] | l/min      | 70   | 150  | 200  | 400  | 450  | 600  | 800  | 950  | 1000 | 1200 | 1400 | 1600 | 1800 |
|                                   |       |      | m³/h       | 4    | 9    | 12   | 24   | 27   | 36   | 48   | 57   | 60   | 72   | 84   | 96   | 108  |
| H=Total manometric head in meters |       |      |            |      |      |      |      |      |      |      |      |      |      |      |      |      |
| 65DL51.5                          | 1.5   | 2    | 16.4       | 15.5 | 14.3 | 13.6 | 10.7 | 9.9  | -    | -    | -    | -    | -    | -    | -    | -    |
| 80DL51.5                          | 1.5   | 2    | 14.0       | -    | -    | 12.2 | 10.0 | 9.4  | 7.6  | 5.3  | 3.3  | -    | -    | -    | -    | -    |
| 80DL52.2                          | 2.2   | 3    | 17.1       | -    | -    | 14.7 | 12.4 | 11.8 | 10.2 | 8.2  | 6.7  | 6.2  | 4.0  | -    | -    | -    |
| 80DL53.7                          | 3.7   | 5    | 19.4       | -    | -    | 18.7 | 17.6 | 17.3 | 16.2 | 14.5 | 13.1 | 12.6 | 10.4 | -    | -    | -    |
| 80DLC55.5                         | 5.5   | 7.5  | 22.2       | -    | -    | -    | 21.1 | 20.9 | 20.2 | 19.2 | 18.2 | 17.8 | 16.2 | 14.4 | 12.3 | -    |
| 80DLC57.5                         | 7.5   | 10   | 28.0       | -    | -    | -    | 26.5 | 26.3 | 25.4 | 24.0 | 22.9 | 22.5 | 20.9 | 19.1 | 17.3 | 15.3 |

**SELECTION CHART**

**50 Hz**

Rev. E

**100DL**



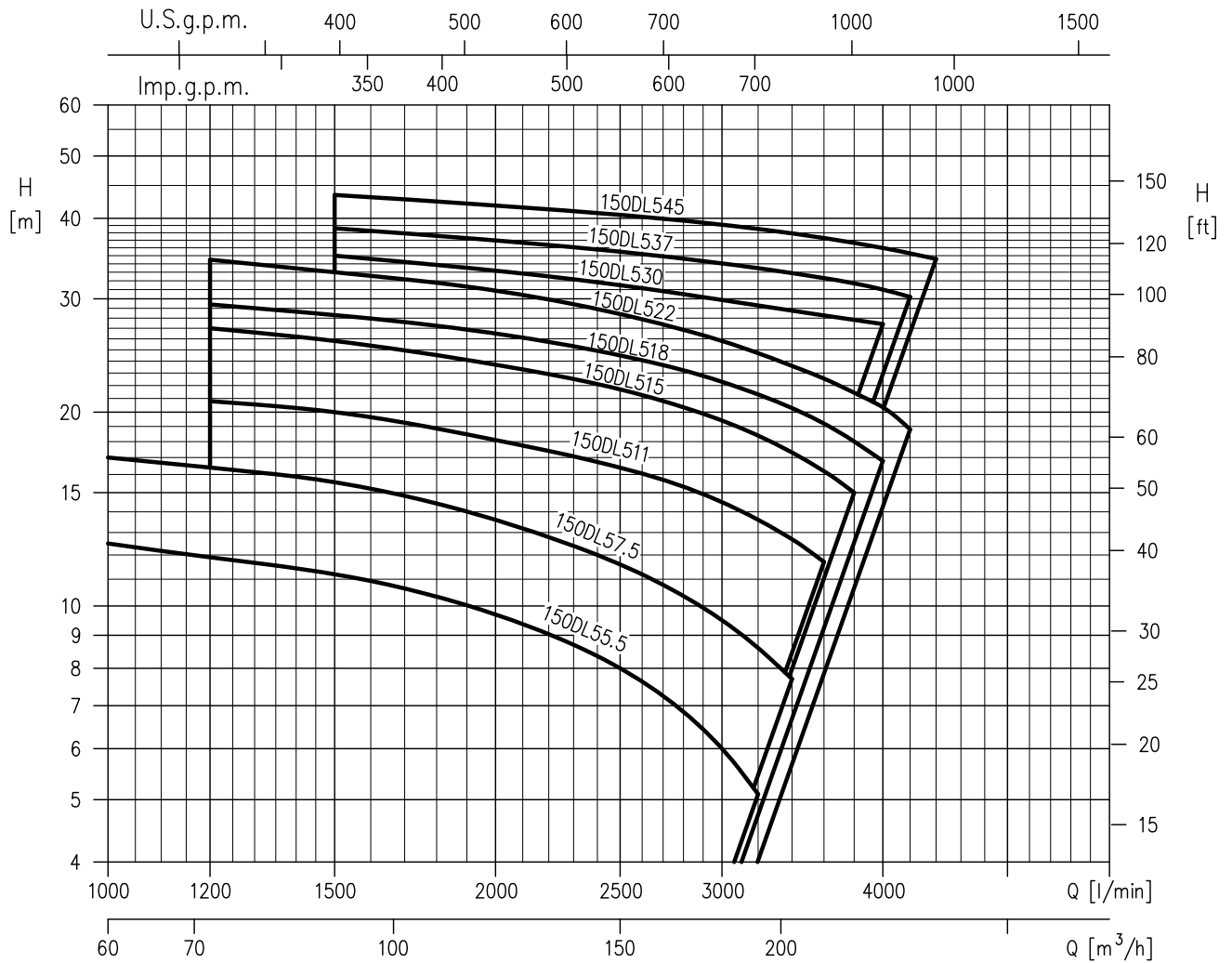
| Pump Type                         | Power |      | Q=Capacity |      |      |      |      |      |      |      |      |      |      |      |      |      |      |
|-----------------------------------|-------|------|------------|------|------|------|------|------|------|------|------|------|------|------|------|------|------|
|                                   | [kW]  | [HP] | l/min      | 0    | 400  | 500  | 600  | 800  | 1200 | 1500 | 1600 | 1800 | 1900 | 2200 | 2400 | 2600 | 2800 |
|                                   |       |      | m³/h       | 0    | 24   | 30   | 36   | 48   | 72   | 90   | 96   | 108  | 114  | 132  | 144  | 156  | 168  |
| H=Total manometric head in meters |       |      |            |      |      |      |      |      |      |      |      |      |      |      |      |      |      |
| 100DLC55.5                        | 5.5   | 7.5  | 22.2       | 21.1 | 20.7 | 20.2 | 19.2 | 16.2 | 13.3 | 12.3 | -    | -    | -    | -    | -    | -    | -    |
| 100DLC57.5                        | 7.5   | 10   | 28.0       | 26.5 | 25.9 | 25.4 | 24.0 | 20.9 | 18.3 | 17.3 | 15.3 | -    | -    | -    | -    | -    | -    |
| 100DL53.7                         | 3.7   | 5    | 16.0       | -    | 14.1 | 13.6 | 12.6 | 10.3 | 8.3  | 7.5  | 5.9  | 5.0  | -    | -    | -    | -    | -    |
| 100DLB55.5                        | 5.5   | 7.5  | 17.0       | -    | -    | 16.0 | 15.5 | 14.0 | 12.7 | 12.2 | 11.1 | 10.6 | 8.8  | -    | -    | -    | -    |
| 100DLB57.5                        | 7.5   | 10   | 22.5       | -    | -    | 20.8 | 20.0 | 18.3 | 16.7 | 16.1 | 15.1 | 15.0 | 12.5 | 11.4 | -    | -    | -    |
| 100DL511                          | 11    | 15   | 30.4       | -    | -    | -    | 27.3 | 25.2 | 23.4 | 22.8 | 21.5 | 20.8 | 18.5 | 16.9 | 15.1 | -    | -    |
| 100DL515                          | 15    | 20   | 33.9       | -    | -    | -    | 32.0 | 30.0 | 28.1 | 27.6 | 26.4 | 25.7 | 23.5 | 22.0 | 20.3 | 18.5 | -    |
| 100DL518.5                        | 18.5  | 25   | 41.0       | -    | -    | -    | 37.7 | 35.7 | 34.0 | 33.4 | 31.9 | 31.0 | 28.2 | 26.0 | 23.7 | 21.1 | -    |

**SELECTION CHART**

50 Hz

Rev. E

**150DL**



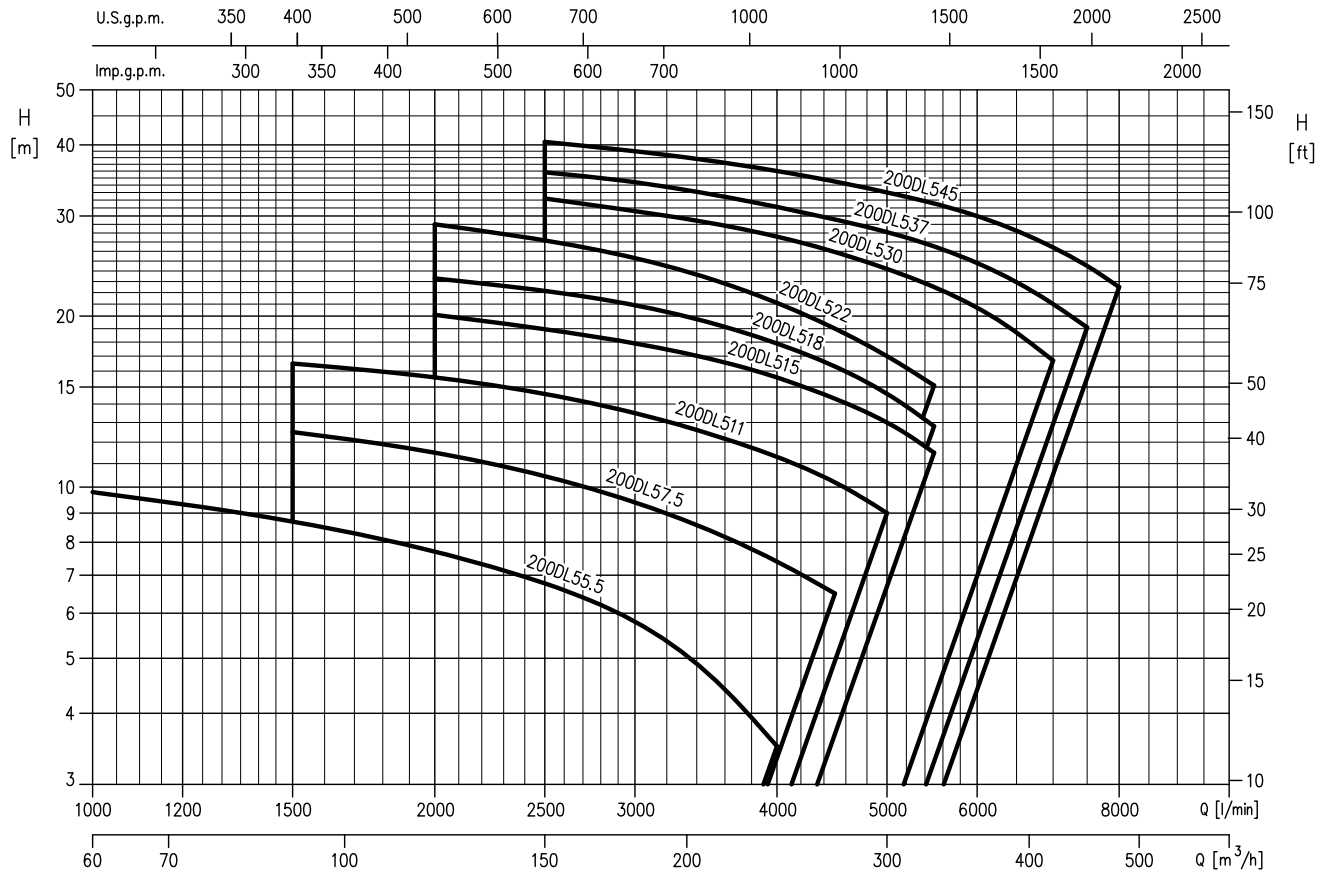
| Pump Type                         | Power |      | Q=Capacity |      |      |      |      |      |      |      |      |      |      |      |      |      |      |
|-----------------------------------|-------|------|------------|------|------|------|------|------|------|------|------|------|------|------|------|------|------|
|                                   |       |      | l/min      | 1000 | 1200 | 1500 | 2000 | 2500 | 3000 | 3200 | 3400 | 3500 | 3600 | 3800 | 4000 | 4200 | 4400 |
|                                   | [kW]  | [HP] | 0          | 60   | 72   | 90   | 120  | 150  | 180  | 192  | 204  | 210  | 216  | 228  | 240  | 252  | 264  |
| H=Total manometric head in meters |       |      |            |      |      |      |      |      |      |      |      |      |      |      |      |      |      |
| 150DL55.5                         | 5.5   | 7.5  | 15.8       | 12.5 | 11.9 | 11.2 | 9.7  | 8.0  | 6.0  | 5.1  | -    | -    | -    | -    | -    | -    | -    |
| 150DL57.5                         | 7.5   | 10   | 19.6       | 17.0 | 16.4 | 15.2 | 13.6 | 11.6 | 9.5  | 8.6  | 7.7  | -    | -    | -    | -    | -    | -    |
| 150DL511                          | 11    | 15   | 24.7       | -    | 20.8 | 20.0 | 18.1 | 16.4 | 14.5 | 13.6 | 12.7 | 12.2 | 11.7 | -    | -    | -    | -    |
| 150DL515                          | 15    | 20   | 31.4       | -    | 27.0 | 25.8 | 23.7 | 21.7 | 19.4 | 18.4 | 17.3 | 16.8 | 16.2 | 15.0 | -    | -    | -    |
| 150DL518.5                        | 18.5  | 25   | 32.5       | -    | 29.4 | 28.3 | 26.5 | 24.5 | 22.3 | 21.3 | 20.3 | 19.8 | 19.2 | 18.0 | 16.8 | -    | -    |
| 150DL522                          | 22    | 30   | 38.7       | -    | 34.5 | 33.0 | 30.9 | 28.4 | 25.8 | 24.7 | 23.6 | 23.0 | 22.4 | 21.2 | 20.5 | 18.8 | -    |
| 150DL530                          | 30    | 40   | 39.0       | -    | -    | 35.0 | 33.2 | 31.5 | 29.9 | 29.3 | 28.8 | 28.5 | 28.3 | 27.8 | 27.4 | -    | -    |
| 150DL537                          | 37    | 50   | 43.0       | -    | -    | 38.6 | 37.0 | 35.5 | 34.1 | 33.5 | 32.9 | 32.6 | 32.3 | 31.7 | 31.0 | 30.2 | -    |
| 150DL545                          | 45    | 60   | 48.0       | -    | -    | 43.5 | 42.0 | 40.5 | 39.1 | 38.5 | 37.9 | 37.6 | 37.3 | 36.7 | 36.0 | 35.3 | 34.6 |

SELECTION CHART

50 Hz

Rev. E

**200DL**



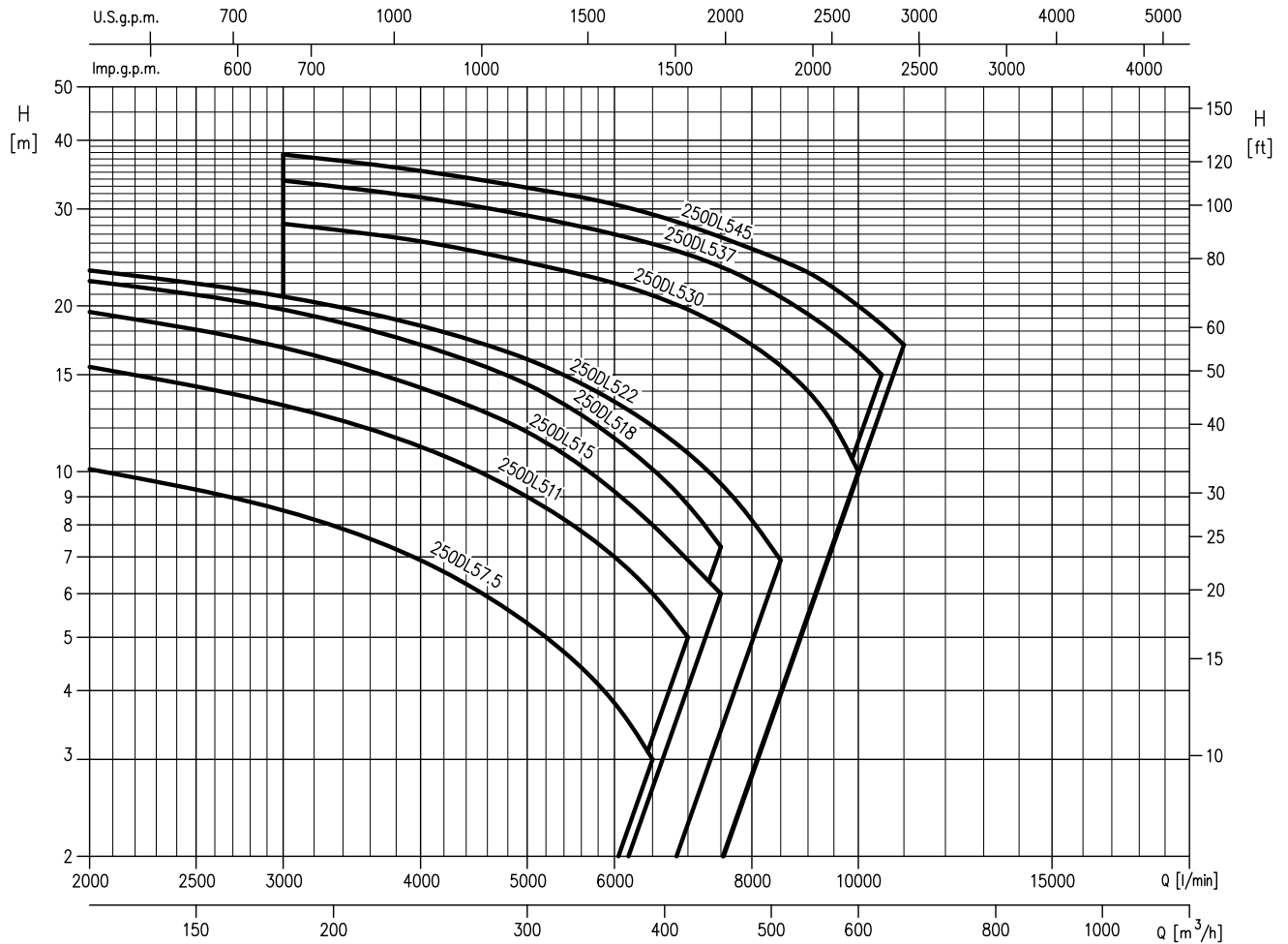
| Pump Type                         | Power |      | Q=Capacity |     |      |      |      |      |      |      |      |      |      |      |      |      |      |
|-----------------------------------|-------|------|------------|-----|------|------|------|------|------|------|------|------|------|------|------|------|------|
|                                   | [kW]  | [HP] | l/min      | 0   | 1000 | 1500 | 2000 | 2500 | 3000 | 4000 | 4500 | 5000 | 5500 | 6000 | 7000 | 7500 | 8000 |
|                                   |       |      | m³/h       | 0   | 60   | 90   | 120  | 150  | 180  | 240  | 270  | 300  | 330  | 360  | 420  | 450  | 480  |
| H=Total manometric head in meters |       |      |            |     |      |      |      |      |      |      |      |      |      |      |      |      |      |
| 200DL55.5                         | 5.5   | 7.5  | 12.0       | 9.8 | 8.7  | 7.7  | 6.8  | 5.8  | 3.5  | -    | -    | -    | -    | -    | -    | -    | -    |
| 200DL57.5                         | 7.5   | 10   | 15.5       | -   | 12.5 | 11.5 | 10.5 | 9.4  | 7.4  | 6.5  | -    | -    | -    | -    | -    | -    | -    |
| 200DL511                          | 11    | 15   | 19.7       | -   | 16.5 | 15.6 | 14.6 | 13.5 | 11.3 | 10.2 | 9.0  | -    | -    | -    | -    | -    | -    |
| 200DL515                          | 15    | 20   | 23.9       | -   | -    | 20.1 | 19.0 | 17.9 | 15.6 | 14.3 | 13.0 | 11.5 | -    | -    | -    | -    | -    |
| 200DL518.5                        | 18.5  | 25   | 26.5       | -   | -    | 23.3 | 22.2 | 20.9 | 17.9 | 16.3 | 14.6 | 12.8 | -    | -    | -    | -    | -    |
| 200DL522                          | 22    | 30   | 34.9       | -   | -    | 29.0 | 27.2 | 25.3 | 21.1 | 19.0 | 17.0 | 15.1 | -    | -    | -    | -    | -    |
| 200DL530                          | 30    | 40   | 39.7       | -   | -    | -    | 32.2 | 30.6 | 27.6 | 25.9 | 24.2 | 22.5 | 20.7 | 16.7 | -    | -    | -    |
| 200DL537                          | 37    | 50   | 43.0       | -   | -    | -    | 35.8 | 34.4 | 31.1 | 29.6 | 28.1 | 26.5 | 24.8 | 21.0 | 19.1 | -    | -    |
| 200DL545                          | 45    | 60   | 48.0       | -   | -    | -    | 40.5 | 39.0 | 36.0 | 34.5 | 33.0 | 31.5 | 30.0 | 26.4 | 24.5 | 22.5 | -    |

SELECTION CHART

50 Hz

Rev. E

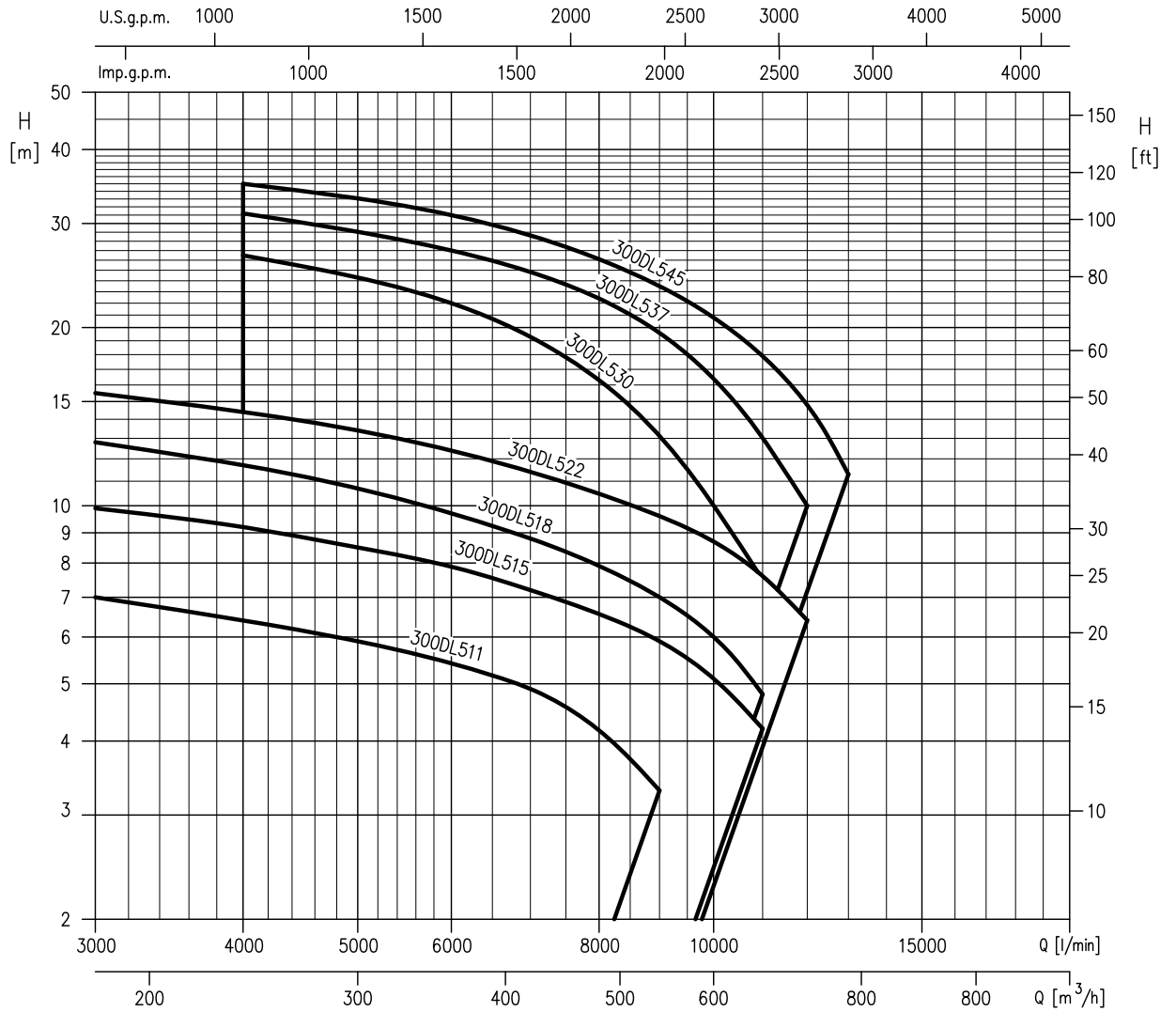
250DL



| Pump Type                         | Power |      | Q=Capacity |      |      |      |      |      |      |      |      |      |      |      |      |       |       |       |
|-----------------------------------|-------|------|------------|------|------|------|------|------|------|------|------|------|------|------|------|-------|-------|-------|
|                                   | [kW]  | [HP] | l/min      | 0    | 2000 | 3000 | 4000 | 5000 | 6000 | 6500 | 7000 | 7500 | 8000 | 8500 | 9000 | 10000 | 10500 | 11000 |
|                                   |       |      | m³/h       | 0    | 120  | 180  | 240  | 300  | 360  | 390  | 420  | 450  | 480  | 510  | 540  | 600   | 630   | 660   |
| H=Total manometric head in meters |       |      |            |      |      |      |      |      |      |      |      |      |      |      |      |       |       |       |
| 250DL57.5                         | 7.5   | 10   | 13.6       | 10.1 | 8.5  | 6.9  | 5.3  | 3.8  | 3.0  | -    | -    | -    | -    | -    | -    | -     | -     | -     |
| 250DL511                          | 11    | 15   | 20.2       | 15.5 | 13.2 | 11.1 | 9.0  | 7.0  | 6.0  | 5.0  | -    | -    | -    | -    | -    | -     | -     | -     |
| 250DL515                          | 15    | 20   | 25.2       | 19.5 | 16.8 | 14.2 | 11.8 | 9.2  | 8.0  | 6.9  | 6.0  | -    | -    | -    | -    | -     | -     | -     |
| 250DL518.5                        | 18.5  | 25   | 27.0       | 22.2 | 19.7 | 17.0 | 14.4 | 11.5 | 10.1 | 8.7  | 7.3  | -    | -    | -    | -    | -     | -     | -     |
| 250DL522                          | 22    | 30   | 27.8       | 23.2 | 20.8 | 18.4 | 16.0 | 13.4 | 12.1 | 10.8 | 9.5  | 8.2  | 6.9  | -    | -    | -     | -     | -     |
| 250DL530                          | 30    | 40   | 36.0       | -    | 28.2 | 26.2 | 24.0 | 22.0 | 20.9 | 19.7 | 18.4 | 17.0 | 15.6 | 14.0 | 10.0 | -     | -     | -     |
| 250DL537                          | 37    | 50   | 40.0       | -    | 33.8 | 31.5 | 29.2 | 27.0 | 25.9 | 24.8 | 23.5 | 22.2 | 20.8 | 19.3 | 16.5 | 15.0  | -     | -     |
| 250DL545                          | 45    | 60   | 45.0       | -    | 37.7 | 35.2 | 32.8 | 30.6 | 29.3 | 28.0 | 26.7 | 25.4 | 24.2 | 23.0 | 20.0 | 18.5  | 17.0  | -     |



**300DL**



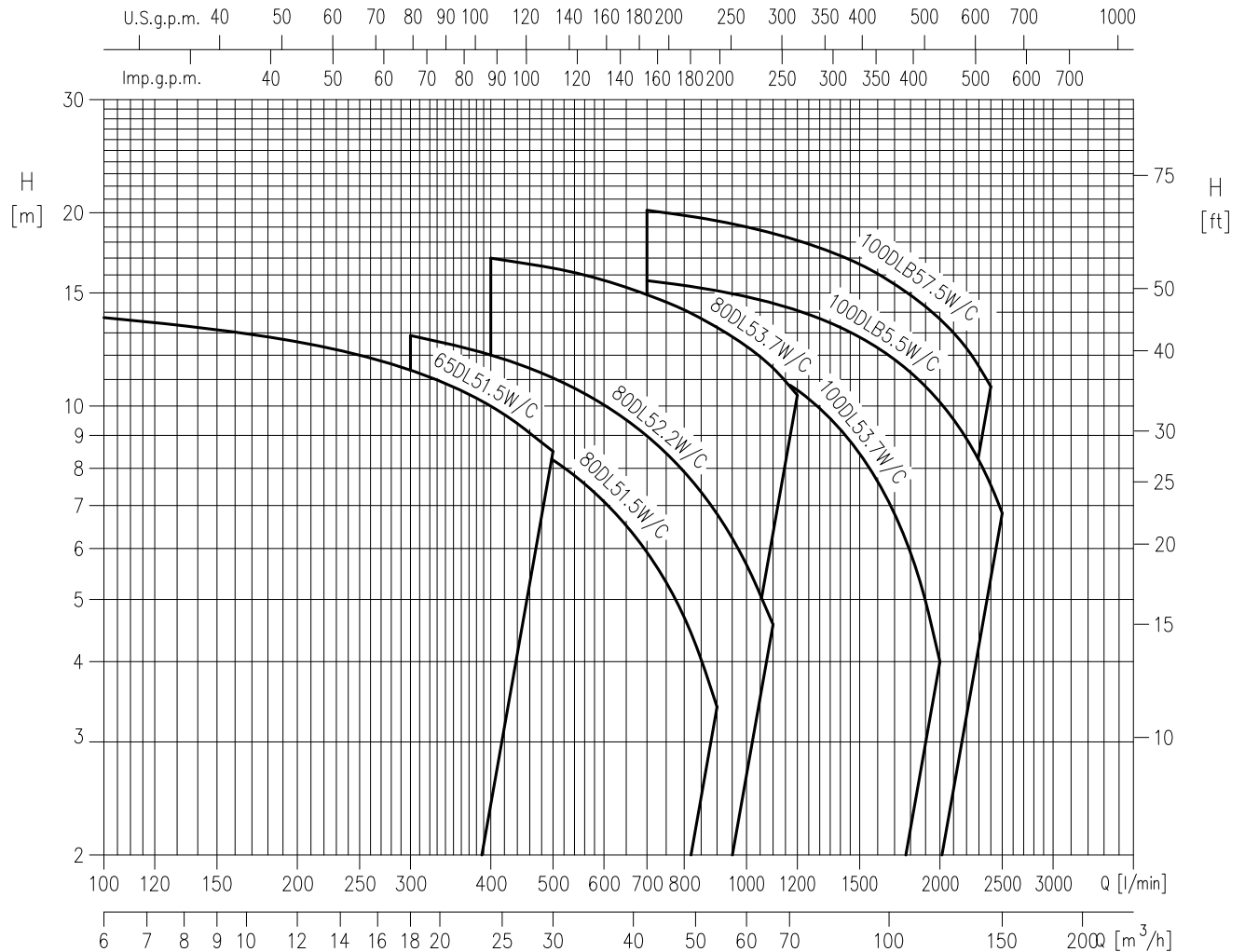
| Pump Type                         | Power |      | Q=Capacity |      |      |      |      |      |      |      |       |       |       |       |
|-----------------------------------|-------|------|------------|------|------|------|------|------|------|------|-------|-------|-------|-------|
|                                   | [kW]  | [HP] | l/min 0    | 3000 | 4000 | 5000 | 6000 | 7000 | 8000 | 9000 | 10000 | 11000 | 12000 | 13000 |
|                                   |       |      | m³/h 0     | 180  | 240  | 300  | 360  | 420  | 480  | 540  | 600   | 660   | 720   | 780   |
| H=Total manometric head in meters |       |      |            |      |      |      |      |      |      |      |       |       |       |       |
| 300DL511                          | 11    | 15   | 9.2        | 7.0  | 6.4  | 5.9  | 5.5  | 4.9  | 4.2  | 3.3  | -     | -     | -     | -     |
| 300DL515                          | 15    | 20   | 12.2       | 9.9  | 9.2  | 8.5  | 8.0  | 7.2  | 6.6  | 5.9  | 5.1   | 4.2   | -     | -     |
| 300DL518.5                        | 18.5  | 25   | 16.6       | 12.8 | 11.7 | 10.7 | 9.7  | 8.8  | 7.9  | 7.0  | 6.0   | 4.8   | -     | -     |
| 300DL522                          | 22    | 30   | 19.0       | 15.5 | 14.4 | 13.4 | 12.4 | 11.4 | 10.5 | 9.6  | 8.7   | 7.6   | 6.4   | -     |
| 300DL530                          | 30    | 40   | 36.0       | -    | 26.5 | 24.4 | 22.0 | 19.3 | 16.3 | 13.1 | 10.0  | 7.5   | -     | -     |
| 300DL537                          | 37    | 50   | 40.0       | -    | 31.2 | 29.2 | 27.0 | 24.8 | 22.4 | 19.6 | 16.4  | 13.0  | 10.0  | -     |
| 300DL545                          | 45    | 60   | 45.0       | -    | 35.0 | 33.1 | 31.0 | 28.6 | 26.1 | 23.5 | 20.8  | 17.9  | 14.8  | 11.3  |

**SELECTION CHART**

**50 Hz**

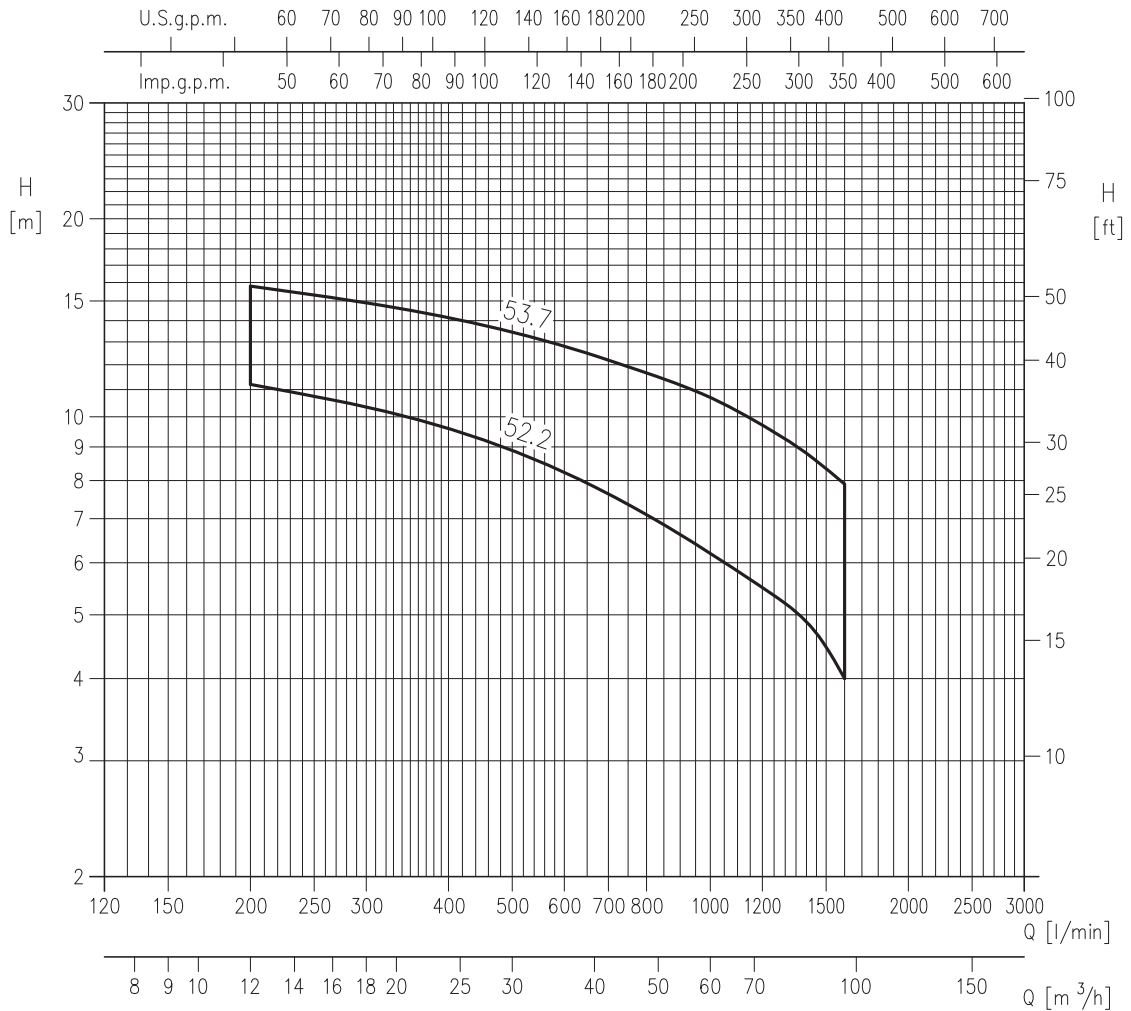
Rev. E

**DL W/C**



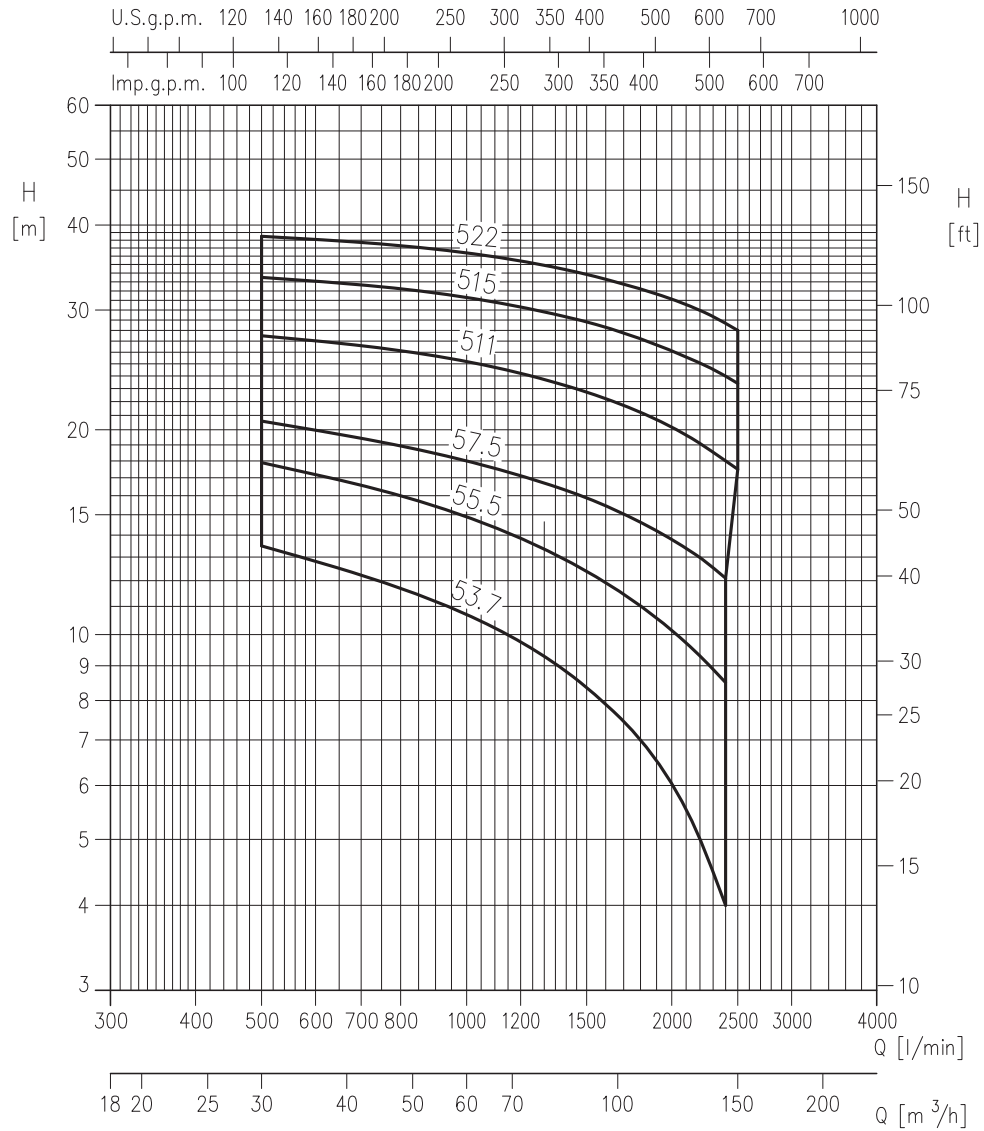
| Pump Type                         | Power |      | Q=Capacity |      |      |      |      |      |      |      |      |      |      |      |      |      |      |
|-----------------------------------|-------|------|------------|------|------|------|------|------|------|------|------|------|------|------|------|------|------|
|                                   |       |      | l/min      | 100  | 250  | 300  | 400  | 500  | 700  | 900  | 1000 | 1100 | 1200 | 1400 | 1600 | 2000 | 2400 |
|                                   | [kW]  | [HP] | m³/h       | 6    | 15   | 18   | 24   | 30   | 42   | 54   | 60   | 66   | 72   | 84   | 96   | 120  | 144  |
| H=Total manometric head in meters |       |      |            |      |      |      |      |      |      |      |      |      |      |      |      |      |      |
| 65DL51.5W/C                       | 1.5   | 2    | 14.8       | 13.7 | 12.0 | 11.4 | 10.0 | 8.5  | -    | -    | -    | -    | -    | -    | -    | -    | -    |
| 80DL51.5W/C                       | 1.5   | 2    | 12.7       | -    | 10.7 | 10.3 | 9.3  | 8.2  | 5.9  | 3.4  | -    | -    | -    | -    | -    | -    | -    |
| 80DL52.2W/C                       | 2.2   | 3    | 15.2       | -    | -    | 12.9 | 12.0 | 11.1 | 9.0  | 6.8  | 5.7  | 4.6  | -    | -    | -    | -    | -    |
| 80DL53.7W/C                       | 3.7   | 5    | 18.5       | -    | -    | -    | 17.0 | 16.4 | 14.9 | 13.4 | 12.6 | 11.6 | 10.4 | -    | -    | -    | -    |
| 100DL53.7W/C                      | 3.7   | 5    | 16.1       | -    | -    | -    | -    | 14.1 | 13.1 | 12.2 | 11.7 | 11.2 | 10.6 | 9.2  | 7.6  | 4.0  | -    |
| 100DLB55.5W/C                     | 5.5   | 7.5  | 16.9       | -    | -    | -    | -    | -    | 15.7 | 15.1 | 14.8 | 14.5 | 14.1 | 13.3 | 12.3 | 10.1 | 7.5  |
| 100DLB57.5W/C                     | 7.5   | 10   | 22.5       | -    | -    | -    | -    | -    | 20.2 | 19.4 | 19.0 | 18.6 | 18.1 | 17.2 | 16.1 | 13.7 | 10.7 |

**80DML**



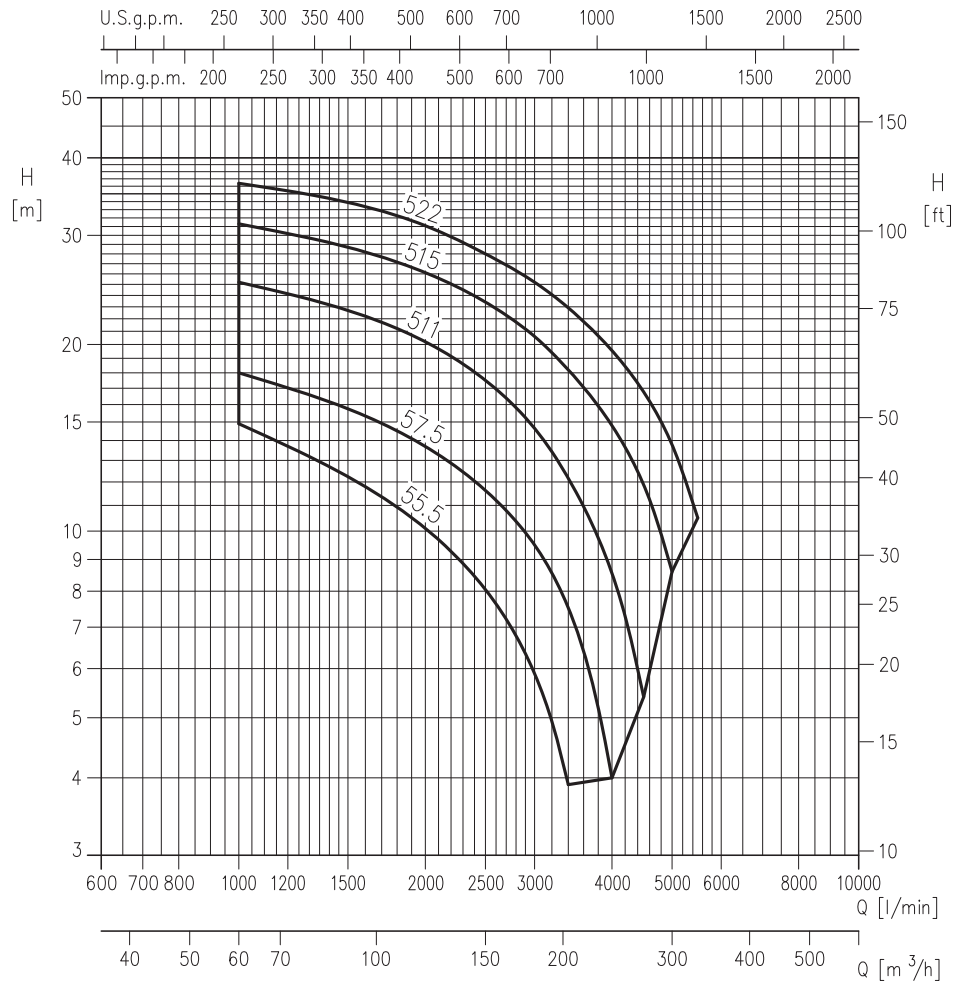
| Pump Type                         | Power |      | Q= Capacity |      |      |      |      |      |      |      |      |
|-----------------------------------|-------|------|-------------|------|------|------|------|------|------|------|------|
|                                   |       |      | [l/min]     | 0    | 200  | 400  | 600  | 800  | 1000 | 1200 | 1400 |
|                                   | [kW]  | [HP] | [m³/h]      | 0    | 12   | 24   | 36   | 48   | 60   | 72   | 84   |
| H=Total manometric head in meters |       |      |             |      |      |      |      |      |      |      |      |
| 80DML52.2                         | 2.2   | 3    | 13.1        | 11.2 | 9.6  | 8.2  | 7.1  | 6.2  | 5.5  | 4.9  | 4    |
| 80DML53.7                         | 3.7   | 5    | 17.9        | 15.8 | 14.2 | 12.8 | 11.7 | 10.7 | 9.7  | 8.8  | 7.9  |

**100DML**



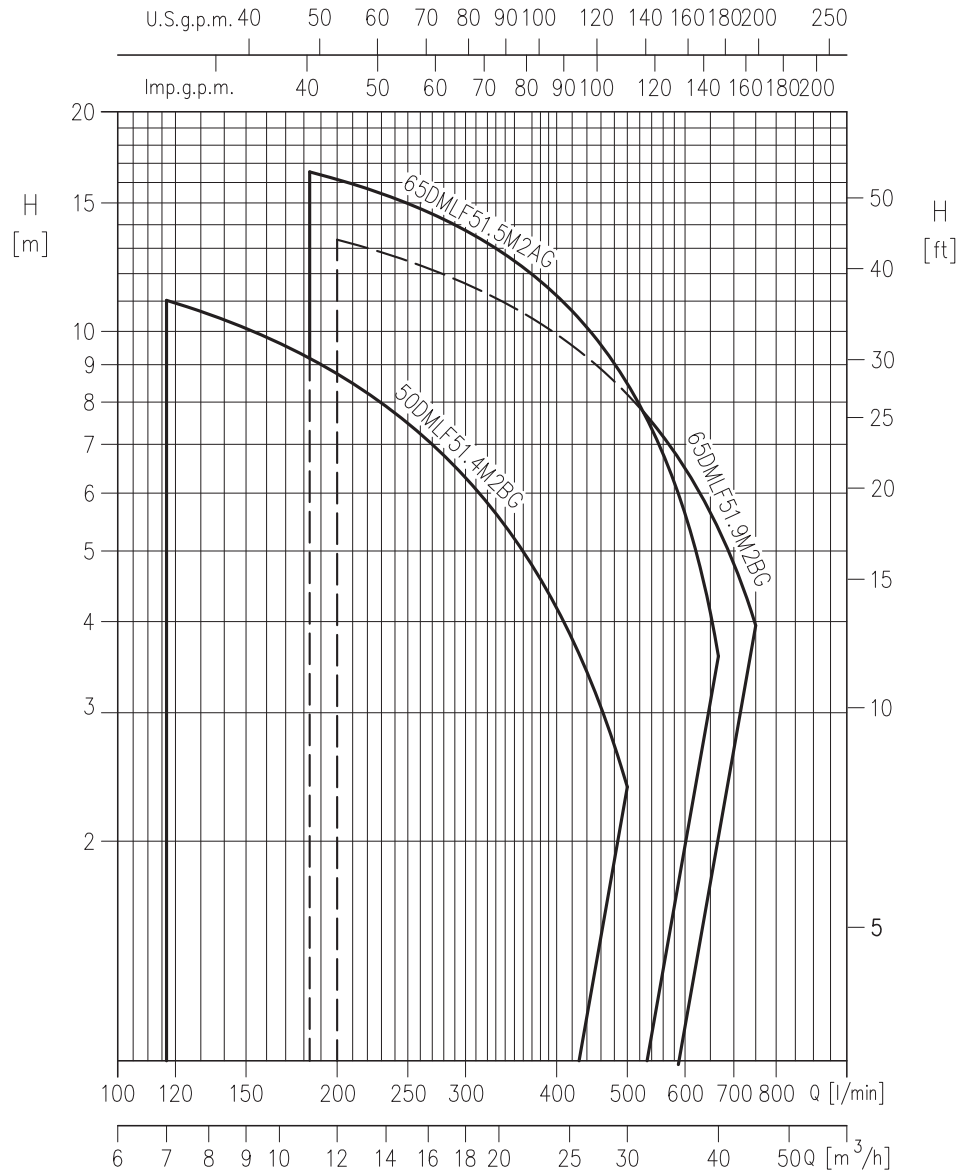
| Pump Type                         | Power |      | Q= Capacity |      |      |      |      |      |      |      |      |      |
|-----------------------------------|-------|------|-------------|------|------|------|------|------|------|------|------|------|
|                                   |       |      | [l/min]     | 0    | 500  | 1000 | 1300 | 1600 | 1900 | 2200 | 2400 | 2500 |
|                                   | [kW]  | [HP] | [m³/h]      | 0    | 30   | 60   | 78   | 96   | 114  | 132  | 144  | 150  |
| H=Total manometric head in meters |       |      |             |      |      |      |      |      |      |      |      |      |
| 100DML53.7                        | 3.7   | 5    | 17.9        | 13.5 | 10.7 | 9.3  | 7.9  | 6.5  | 5.0  | 4.0  | -    | -    |
| 100DML55.5                        | 5.5   | 7.5  | 22.0        | 17.9 | 14.9 | 13.4 | 11.9 | 10.6 | 9.3  | 8.5  | -    | -    |
| 100DML57.5                        | 7.5   | 10   | 25.3        | 20.6 | 18.0 | 16.7 | 15.5 | 14.2 | 13.0 | 12.1 | -    | -    |
| 100DML511                         | 11    | 15   | 30.3        | 27.5 | 25.2 | 23.7 | 22.2 | 20.7 | 19.1 | 18.0 | 17.5 | -    |
| 100DML515                         | 15    | 20   | 35.0        | 33.5 | 31.3 | 29.8 | 28.3 | 26.7 | 25.1 | 24.0 | 23.4 | -    |
| 100DML522                         | 22    | 30   | 40.0        | 38.5 | 36.4 | 34.9 | 33.3 | 31.7 | 30.0 | 28.7 | 28.0 | -    |

**150DML**



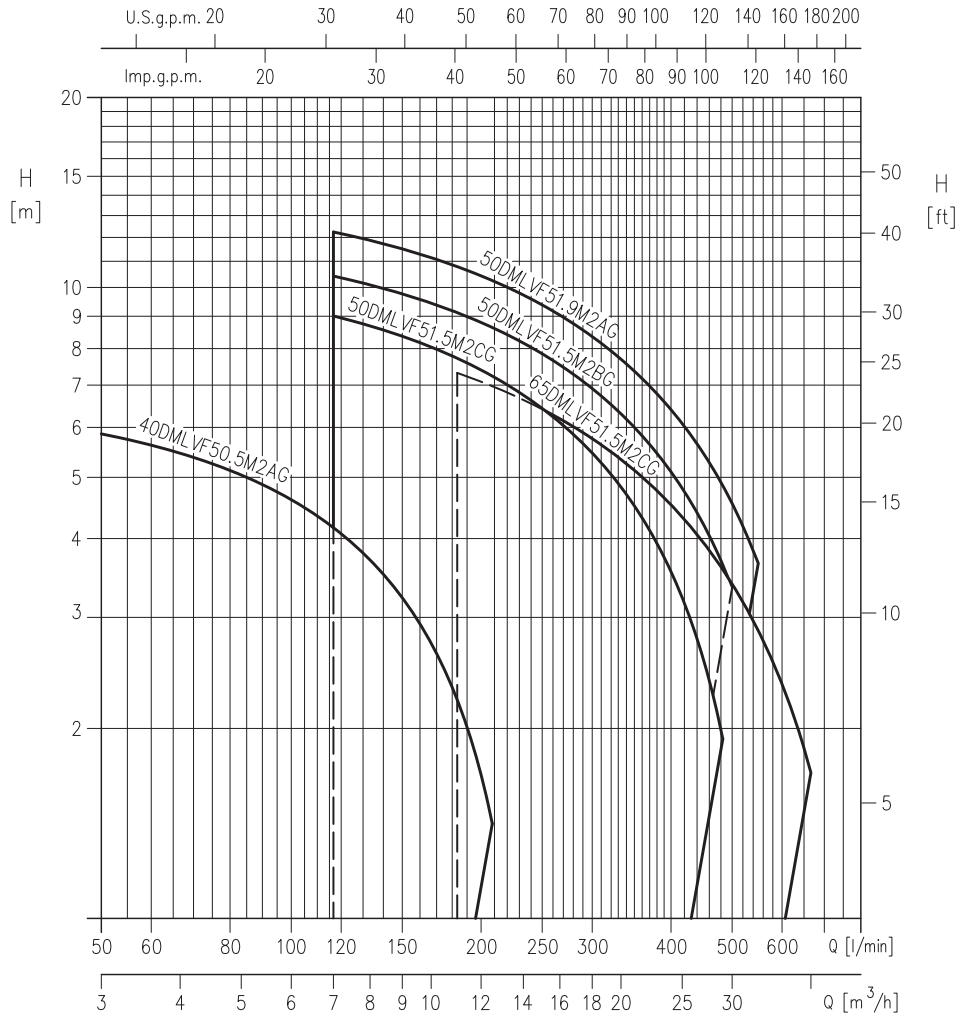
| Pump Type                         | Power |      | Q= Capacity |      |      |      |      |      |      |      |      |      |      |
|-----------------------------------|-------|------|-------------|------|------|------|------|------|------|------|------|------|------|
|                                   |       |      | [l/min]     | 0    | 1000 | 2000 | 2500 | 3000 | 3400 | 4000 | 4500 | 5000 | 5500 |
|                                   | [kW]  | [HP] | [m³/h]      | 0    | 60   | 120  | 150  | 180  | 204  | 240  | 270  | 300  | 330  |
| H=Total manometric head in meters |       |      |             |      |      |      |      |      |      |      |      |      |      |
| 150DML55.5                        | 5.5   | 7.5  | 22.0        | 14.9 | 10.1 | 8.0  | 5.9  | 3.9  | -    | -    | -    | -    | -    |
| 150DML57.5                        | 7.5   | 10   | 25.3        | 18.0 | 13.7 | 11.6 | 9.5  | 7.5  | 4.0  | -    | -    | -    | -    |
| 150DML511                         | 11    | 15   | 30.3        | 25.2 | 20.2 | 17.5 | 14.7 | 12.2 | 8.6  | 5.4  | -    | -    | -    |
| 150DML515                         | 15    | 20   | 35.0        | 31.3 | 26.1 | 23.4 | 20.6 | 18.2 | 14.8 | 11.9 | 8.6  | -    | -    |
| 150DML522                         | 22    | 30   | 40.0        | 36.4 | 31.1 | 28.0 | 25.2 | 22.9 | 19.5 | 16.8 | 13.8 | 10.5 | -    |

**50-65DMLF**



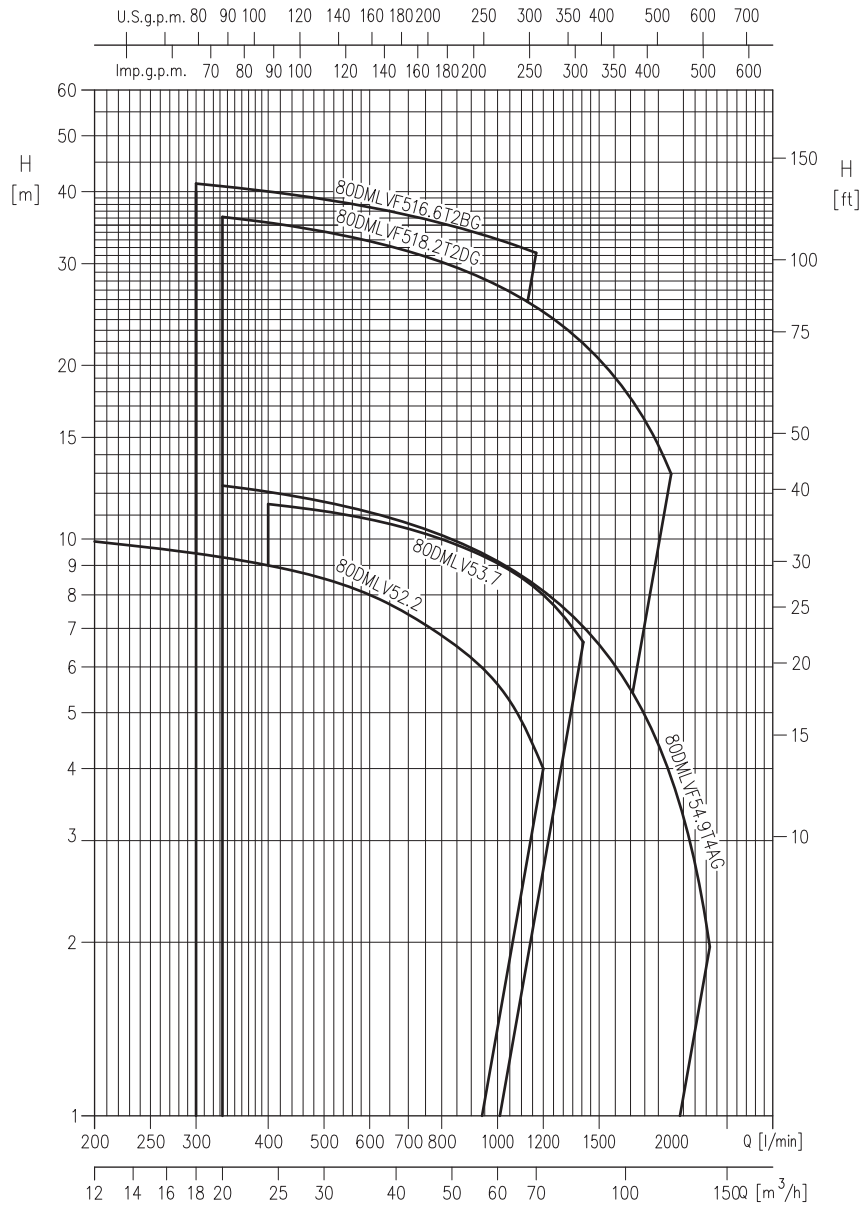
| Pump Type                         | Power |      | Q=Capacity |      |      |      |      |      |      |     |     |     |     |     |  |
|-----------------------------------|-------|------|------------|------|------|------|------|------|------|-----|-----|-----|-----|-----|--|
|                                   | [kW]  | [HP] | l/min      | 0    | 117  | 183  | 200  | 300  | 350  | 400 | 500 | 600 | 667 | 750 |  |
|                                   |       |      | m³/h       | 0    | 7    | 11   | 12   | 18   | 21   | 24  | 30  | 36  | 40  | 45  |  |
| H=Total manometric head in meters |       |      |            |      |      |      |      |      |      |     |     |     |     |     |  |
| 50DMLF51.4M2BG                    | 1.4   | 1.9  | 14.6       | 11.0 | 9.2  | 8.7  | 6.3  | 5.2  | 4.2  | 2.4 | -   | -   | -   | -   |  |
| 65DMLF51.5M2AG                    | 1.5   | 2    | 20.5       | -    | 16.5 | 16.2 | 13.7 | 12.5 | 11.2 | 8.5 | 5.6 | 3.6 | -   | -   |  |
| 65DMLF51.9M2BG                    | 1.9   | 2.5  | 16.8       | -    | -    | 13.4 | 11.6 | 10.8 | 9.9  | 8.2 | 6.5 | 5.4 | 4   | -   |  |

**40-50-65 DMLVF**



| Pump Type                         | Power |      | Q=Capacity |     |      |      |      |      |     |     |     |     |     |     |     |     |
|-----------------------------------|-------|------|------------|-----|------|------|------|------|-----|-----|-----|-----|-----|-----|-----|-----|
|                                   | [kW]  | [HP] | l/min      | 0   | 50   | 117  | 183  | 208  | 250 | 300 | 350 | 400 | 483 | 500 | 550 | 667 |
|                                   |       |      | m³/h       | 0   | 3    | 7    | 11   | 12.5 | 15  | 18  | 21  | 24  | 29  | 30  | 33  | 40  |
| H=Total manometric head in meters |       |      |            |     |      |      |      |      |     |     |     |     |     |     |     |     |
| 40DMLVF50.5M2AG                   | 0.5   | 0.7  | 7.0        | 5.9 | 4.2  | 2.2  | 1.4  | -    | -   | -   | -   | -   | -   | -   | -   | -   |
| 50DMLVF51.5M2CG                   | 1.5   | 2    | 11.3       | -   | 9    | 7.7  | 7.2  | 6.4  | 5.5 | 4.5 | 3.5 | 1.9 | -   | -   | -   | -   |
| 50DMLVF51.5M2BG                   | 1.5   | 2    | 12.8       | -   | 10.4 | 9.1  | 8.6  | 7.8  | 6.9 | 6.0 | 5.1 | 3.6 | 3.4 | -   | -   | -   |
| 50DMLVF51.9M2AG                   | 1.9   | 2.5  | 14.9       | -   | 12.2 | 10.8 | 10.3 | 9.4  | 8.4 | 7.4 | 6.4 | 4.8 | 4.5 | 3.7 | -   | -   |
| 65DMLVF51.5M2CG                   | 1.5   | 2    | 10.0       | -   | -    | 7.3  | 7.0  | 6.4  | 5.8 | 5.1 | 4.5 | 3.6 | 3.4 | 2.9 | 1.7 | -   |

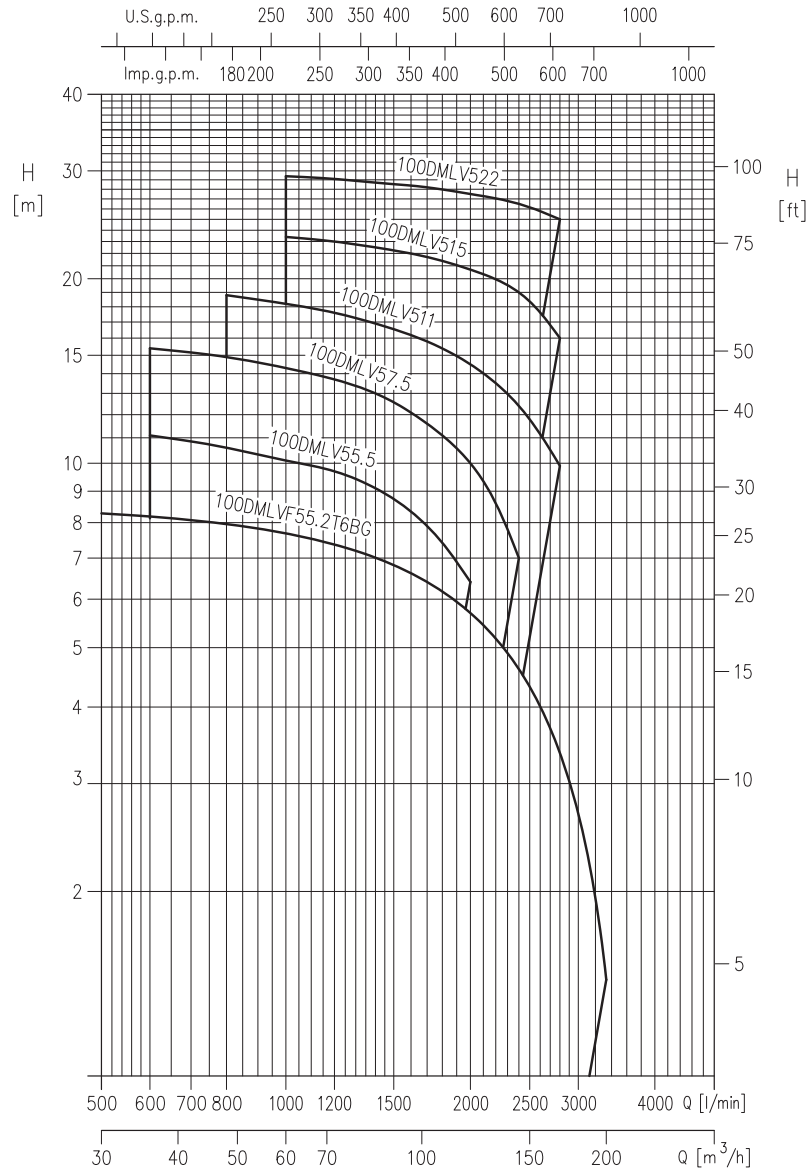
80DMLV- 80DMLVF



| Pump Type                         | Power |      | Q=Capacity |     |      |      |      |      |      |      |      |      |      |      |      |      |
|-----------------------------------|-------|------|------------|-----|------|------|------|------|------|------|------|------|------|------|------|------|
|                                   | [kW]  | [HP] | l/min      | 200 | 300  | 333  | 400  | 600  | 900  | 1167 | 1200 | 1320 | 1400 | 2000 | 2100 | 2333 |
|                                   |       |      | m³/h       | 0   | 12   | 18   | 20   | 24   | 36   | 54   | 70   | 72   | 79   | 84   | 120  | 126  |
| H=Total manometric head in meters |       |      |            |     |      |      |      |      |      |      |      |      |      |      |      |      |
| 80DMLV52.2                        | 2.2   | 3    | 10.7       | 9.9 | 9.5  | 9.3  | 9.0  | 8    | 6.4  | 4.1  | 4    | -    | -    |      |      |      |
| 80DMLV53.7                        | 3.7   | 5    | 12.8       | -   | -    | -    | 11.5 | 10.7 | 9.4  | 9.1  | 7.9  | 7.2  | 6.4  |      |      |      |
| 80DMLVF54.9T4AG                   | 4.9   | 6.6  | 13.9       | -   | -    | 12.4 | 12.1 | 11.1 | 9.6  | 8.3  | 8.1  | 7.5  | 7.1  | 3.8  | 3    | 2    |
| 80DMLVF516.6T2BG                  | 16.6  | 22.3 | 45         | -   | 41.3 | 40.9 | 40.0 | 37.6 | 34.2 | 31.3 | -    | -    | -    | -    | -    | -    |
| 80DMLVF518.2T2DG                  | 18.2  | 24.4 | 40.2       | -   | -    | 36.2 | 35.4 | 32.8 | 28.9 | 25.2 | 24.8 | 23.1 | 21.9 | 13.0 | -    | -    |

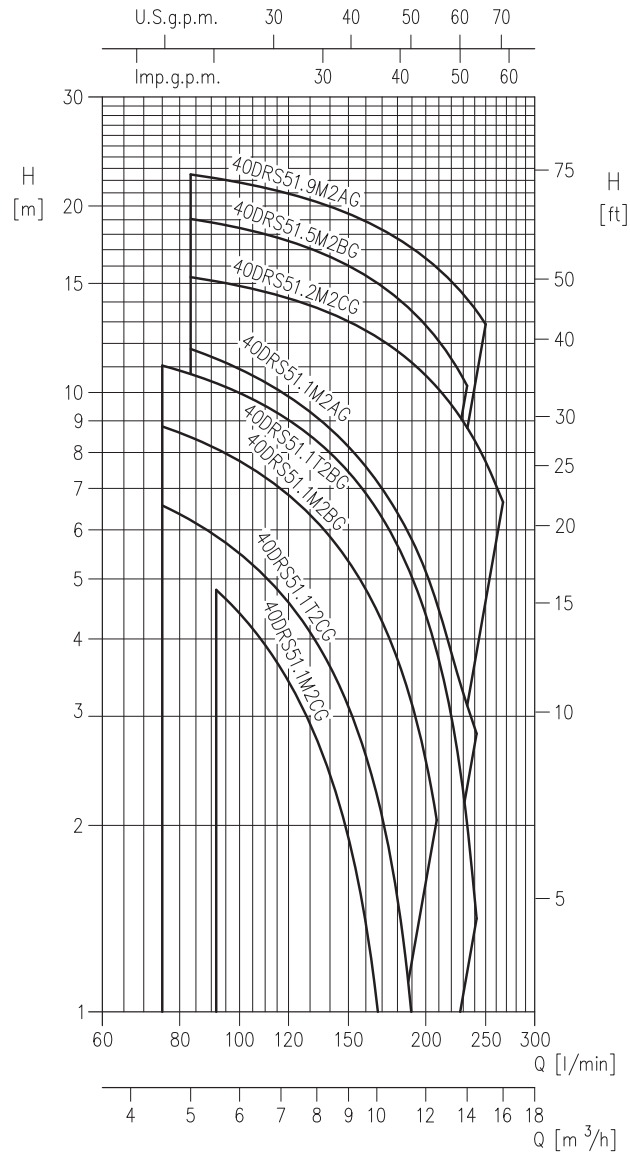


**100 DMLV - 100DMLVF**



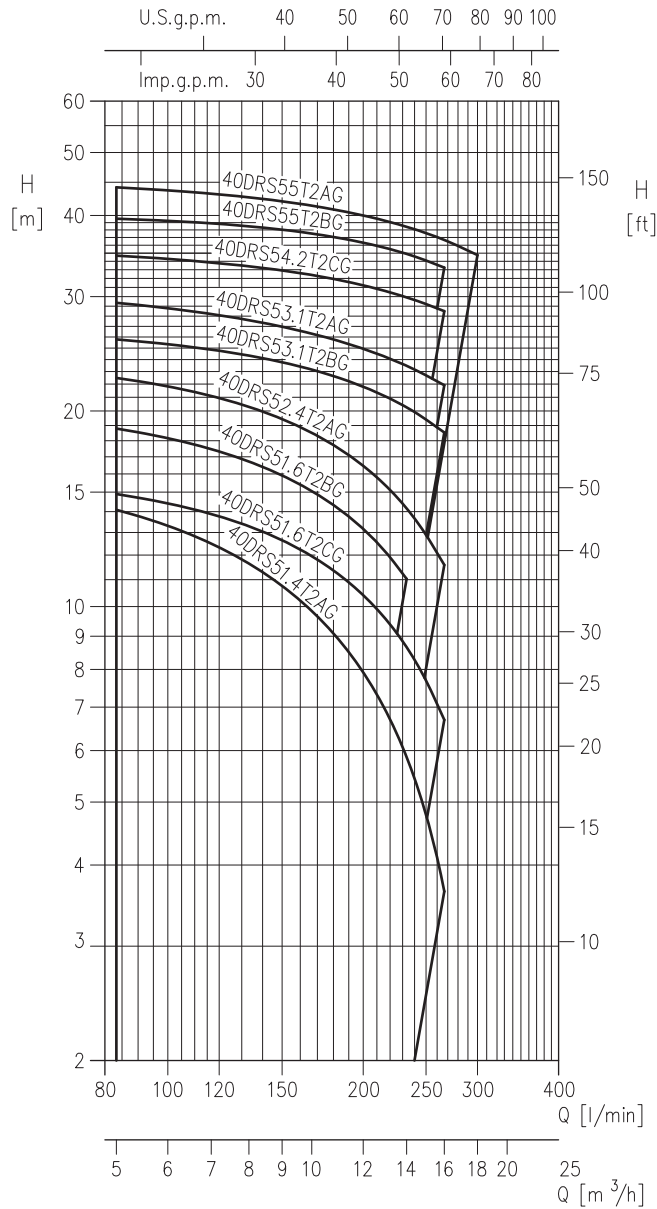
| Pump Type                         | Power |      | Q=Capacity |     |      |      |      |      |      |      |      |      |      |
|-----------------------------------|-------|------|------------|-----|------|------|------|------|------|------|------|------|------|
|                                   | [kW]  | [HP] | l/min      | 500 | 600  | 800  | 1000 | 1200 | 1700 | 2000 | 2400 | 2800 | 3333 |
|                                   |       |      | m³/h       | 30  | 36   | 48   | 60   | 72   | 102  | 120  | 144  | 168  | 200  |
| H=Total manometric head in meters |       |      |            |     |      |      |      |      |      |      |      |      |      |
| 100DMLVF55.2T6BG                  | 5.2   | 7    | 8.6        | 8.3 | 8.2  | 8    | 7.7  | 7.4  | 6.4  | 5.7  | 4.6  | 3.4  | 1.4  |
| 100DMLV5,5                        | 5.5   | 7.5  | 13.2       | -   | 11.1 | 10.6 | 10.1 | 9.7  | 7.9  | 6.4  | -    | -    | -    |
| 100DMLV57,5                       | 7.5   | 10   | 16.8       | -   | 15.4 | 14.9 | 14.3 | 13.7 | 11.6 | 10   | 7    | -    | -    |
| 100DMLV511                        | 11    | 15   | 20.6       | -   | -    | 18.8 | 18.2 | 17.6 | 15.8 | 14.5 | 12.4 | 9.9  | -    |
| 100DMLV515                        | 15    | 20   | 24.9       | -   | -    | -    | 23.4 | 23   | 21.7 | 20.7 | 19   | 16   | -    |
| 100DMLV522                        | 22    | 30   | 32.1       | -   | -    | -    | 29.4 | 29.1 | 28.2 | 27.5 | 26.5 | 25   | -    |

**40 DRS (M)**



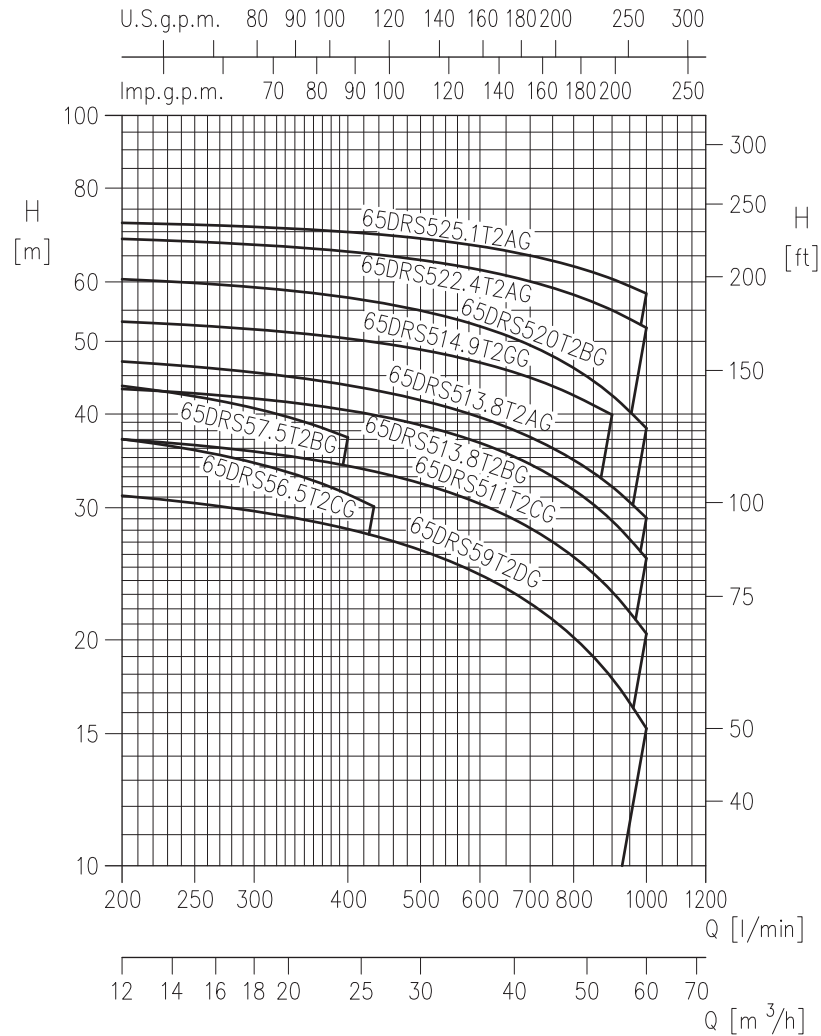
| Pump Type<br>DRS/A40              | Power |      | Q=Capacity |     |      |      |      |      |      |      |      |      |      |      |      |
|-----------------------------------|-------|------|------------|-----|------|------|------|------|------|------|------|------|------|------|------|
|                                   | [kW]  | [HP] | l/min      | 0   | 75   | 83   | 92   | 150  | 175  | 200  | 208  | 233  | 242  | 250  | 267  |
|                                   |       |      | m³/h       | 0   | 4.5  | 5.0  | 5.5  | 9.0  | 10.5 | 12.0 | 12.5 | 14.0 | 14.5 | 15.0 | 16.0 |
| H=Total manometric head in meters |       |      |            |     |      |      |      |      |      |      |      |      |      |      |      |
| 40DRS51.1M2CG                     | 1.1   | 1.5  | 9          | -   | -    | 4.8  | 1.9  | 0.6  | -    | -    | -    | -    | -    | -    | -    |
| 40DRS51.1M2BG                     | 1.1   | 1.5  | 11.4       | 8.8 | 8.5  | 8.1  | 5.3  | 4    | 2.5  | 2    | -    | -    | -    | -    |      |
| 40DRS51.1M2AG                     | 1.1   | 1.5  | 15.5       | -   | 11.8 | 11.3 | 8.2  | 6.7  | 5.1  | 4.6  | 3    | 2.4  | -    | -    |      |
| 40DRS51.2M2CG                     | 1.2   | 1.6  | 16.9       | -   | 15.3 | 15.1 | 13   | 11.9 | 10.6 | 10.2 | 8.8  | 8.3  | 7.7  | 6.6  |      |
| 40DRS51.5M2BG                     | 1.5   | 2    | 20.9       | -   | 19.1 | 18.7 | 16   | 14.5 | 12.8 | 12.2 | 10.3 | -    | -    | -    |      |
| 40DRS51.9M2AG                     | 1.9   | 2.5  | 24.8       | -   | 22.5 | 21.2 | 19.4 | 18   | 16.5 | 15.9 | 14.2 | 13.5 | 12.9 | -    |      |
| 40DRS51.1T2CG                     | 1.1   | 1.5  | 9.3        | 6.6 | 6.2  | 5.9  | 3.1  | 1.8  | 0.4  | -    | -    | -    | -    | -    |      |
| 40DRS51.1T2BG                     | 1.1   | 1.5  | 13.5       | 11  | 10.7 | 10.3 | 7.4  | 6    | 4.4  | 3.8  | 2    | 1.4  | -    | -    |      |

## 40 DRS



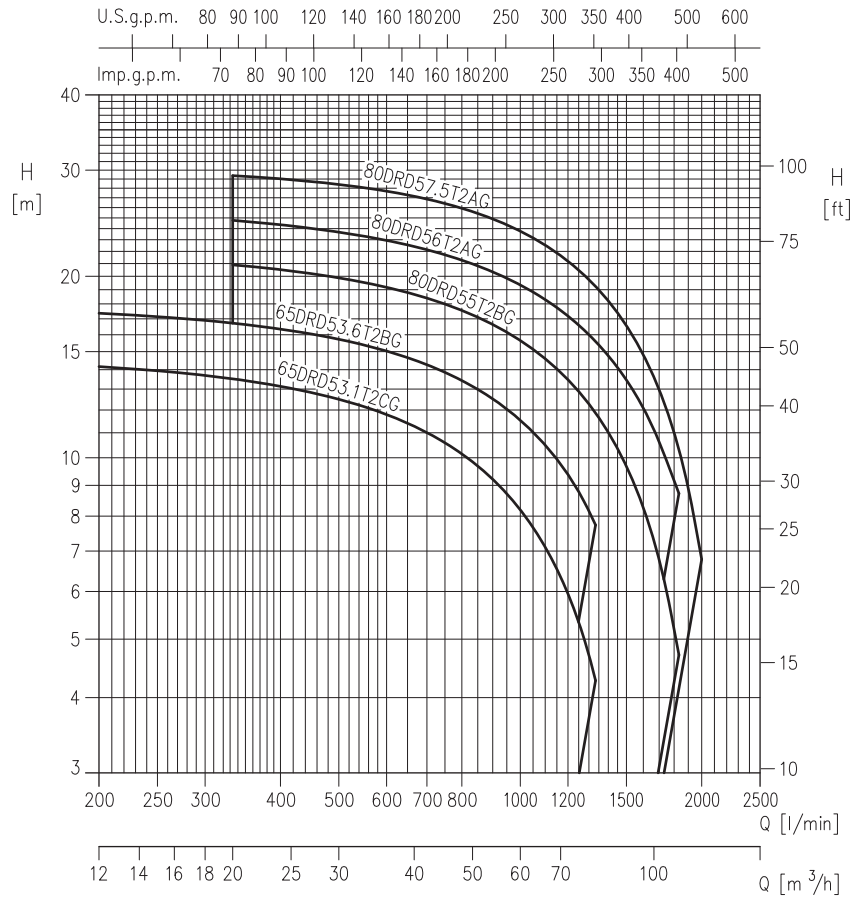
| Pump Type<br>DRS/A40              | Power |      | Q=Capacity |      |      |      |      |      |      |
|-----------------------------------|-------|------|------------|------|------|------|------|------|------|
|                                   | [kW]  | [HP] | l/min      | 83   | 150  | 200  | 233  | 267  | 300  |
|                                   |       |      | m³/h       | 5.0  | 9.0  | 12.0 | 14.0 | 16.0 | 18.0 |
| H=Total manometric head in meters |       |      |            |      |      |      |      |      |      |
| 40DRS51.4T2AG                     | 1.4   | 1.9  | 17.5       | 14.1 | 10.8 | 7.9  | 5.9  | 3.7  | -    |
| 40DRS51.6T2CG                     | 1.6   | 2.1  | 16.5       | 14.9 | 12.6 | 10.4 | 8.7  | 6.7  | -    |
| 40DRS51.6T2BG                     | 1.6   | 2.1  | 21.1       | 18.8 | 15.9 | 13.2 | 11   | -    | -    |
| 40DRS52.4T2AG                     | 2.4   | 3.2  | 24.8       | 22.5 | 19.4 | 16.5 | 14.2 | 11.6 | -    |
| 40DRS53.1T2BG                     | 3.1   | 4.2  | 27.3       | 25.8 | 23.8 | 21.8 | 20.3 | 18.5 | -    |
| 40DRS53.1T2AG                     | 3.1   | 4.2  | 31.8       | 29.3 | 27   | 24.9 | 23.5 | 21.9 | -    |
| 40DRS54.2T2CG                     | 4.2   | 5.6  | 36.1       | 34.7 | 32.9 | 31.2 | 29.9 | 28.5 | -    |
| 40DRS55T2BG                       | 5     | 6.7  | 40         | 39.5 | 38   | 36.3 | 34.9 | 33.3 | -    |
| 40DRS55T2AG                       | 5     | 6.7  | 46         | 44   | 42   | 40   | 38.4 | 36.7 | 34.8 |

**65 DRS**



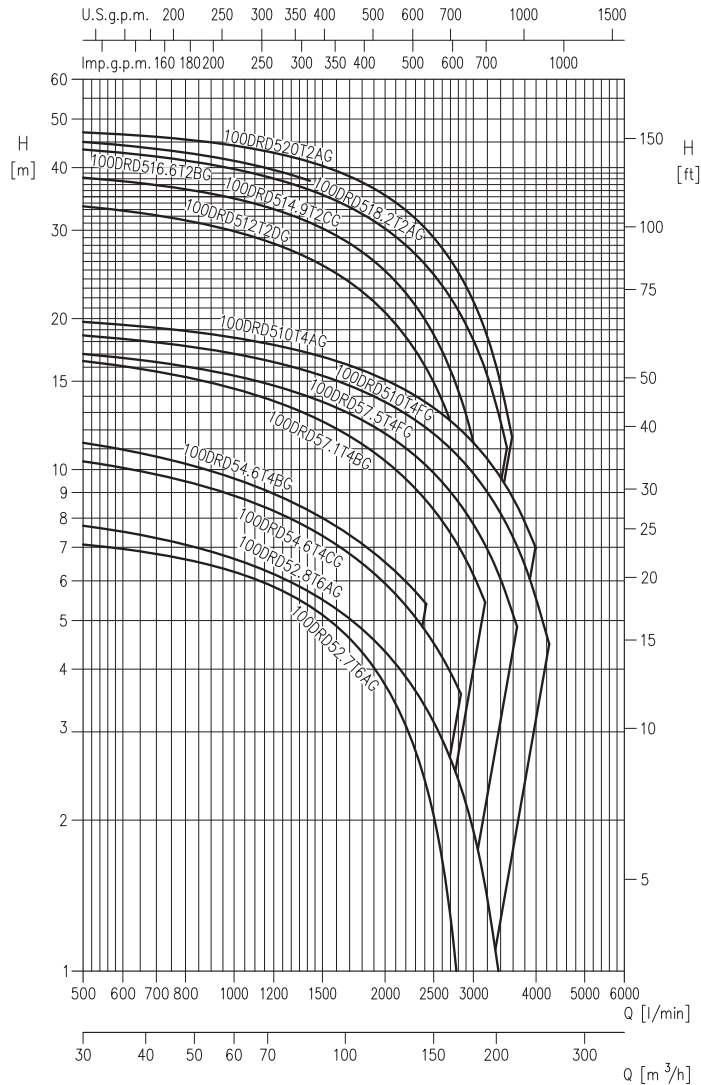
| Pump Type<br>DRS/A65              | Power |      | Q=Capacity |      |      |      |      |      |      |
|-----------------------------------|-------|------|------------|------|------|------|------|------|------|
|                                   | [kW]  | [HP] | l/min      | 200  | 400  | 433  | 667  | 900  | 1000 |
|                                   |       |      | 0          | 12.0 | 24.0 | 26.0 | 40.0 | 54.0 | 60.0 |
| H=Total manometric head in meters |       |      |            |      |      |      |      |      |      |
| 65DRS56.5T2CG                     | 6.5   | 8.7  | 40.5       | 37   | 31.3 | 30.1 | -    | -    | -    |
| 65DRS57.5T2BG                     | 7.5   | 10.1 | 47.5       | 43.5 | 37.2 | -    | -    | -    | -    |
| 65DRS59T2DG                       | 9     | 12.1 | 33.5       | 31.1 | 28.1 | 27.5 | 23.1 | 17.8 | 15.2 |
| 65DRS511T2CG                      | 11    | 14.8 | 39.1       | 37   | 34.1 | 33.5 | 28.9 | 23.2 | 20.4 |
| 65DRS513.8T2BG                    | 13.8  | 18.5 | 45         | 43   | 40.5 | 39.9 | 35.1 | 28.8 | 25.7 |
| 65DRS513.8T2AG                    | 13.8  | 18.5 | 49.5       | 47   | 43.5 | 43   | 38.1 | 32   | 29.1 |
| 65DRS514.9T2GG                    | 14.9  | 20.0 | 55         | 53   | 50.5 | 50   | 45.5 | 39.8 | -    |
| 65DRS520T2BG                      | 20    | 26.8 | 62.5       | 60.5 | 57   | 56.5 | 50.5 | 42.5 | 38.3 |
| 65DRS522.4T2AG                    | 22.4  | 30.0 | 70         | 68.5 | 66   | 65.5 | 61   | 55   | 52   |
| 65DRS525.1T2AG                    | 25.1  | 33.7 | 73         | 72   | 70   | 69.5 | 65.5 | 60.5 | 58   |

**65-80 DRD**



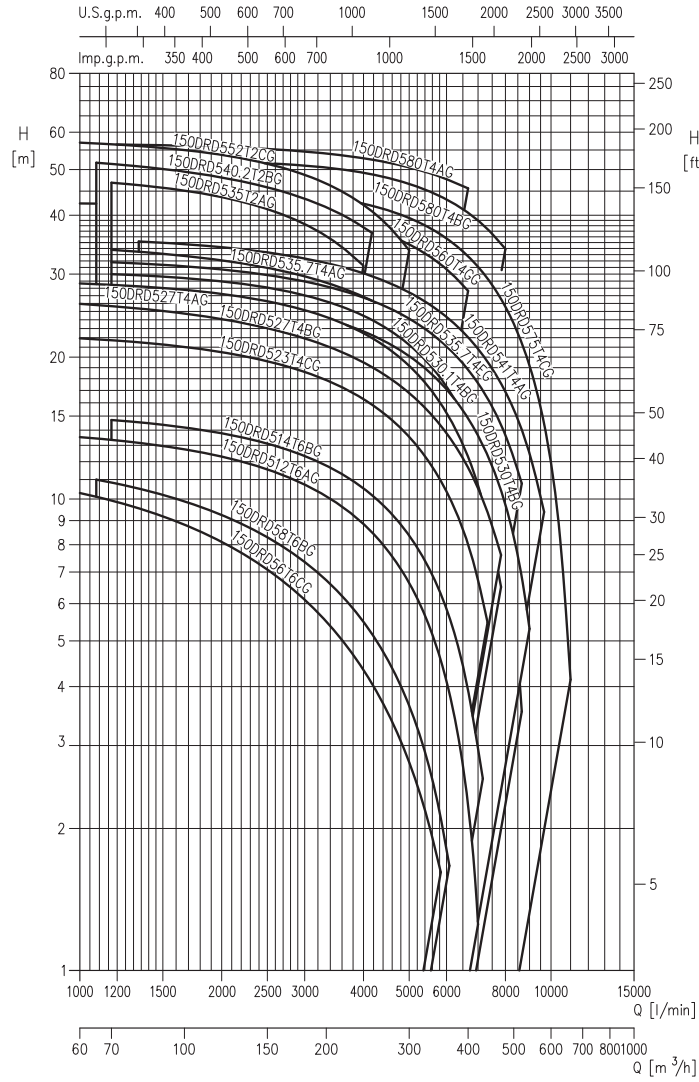
| Pump Type<br>DRD/65-80            | Power |      | Q=Capacity |      |      |      |      |      |      |
|-----------------------------------|-------|------|------------|------|------|------|------|------|------|
|                                   | [kW]  | [HP] | l/min      | 200  | 333  | 833  | 1333 | 1833 | 2000 |
|                                   |       |      | m³/h       | 12   | 20   | 50   | 80   | 110  | 120  |
| H=Total manometric head in meters |       |      |            |      |      |      |      |      |      |
| 65DRD53.1T2CG                     | 3.1   | 4.2  | 14.9       | 14.2 | 13.5 | 9.8  | 4.3  | -    | -    |
| 65DRD53.6T2BG                     | 3.6   | 4.8  | 18.1       | 17.4 | 16.7 | 13.1 | 7.8  | -    | -    |
| 80DRD55T2BG                       | 5     | 6.7  | 22.4       | -    | 20.9 | 17.3 | 11.9 | 4.7  | -    |
| 80DRD56T2AG                       | 6     | 8    | 26.4       | -    | 24.8 | 21   | 15.6 | 8.7  | -    |
| 80DRD57.5T2AG                     | 7.5   | 10.1 | 30.5       | -    | 29.4 | 25.6 | 19.2 | 10.3 | 6.8  |

## 100 DRD



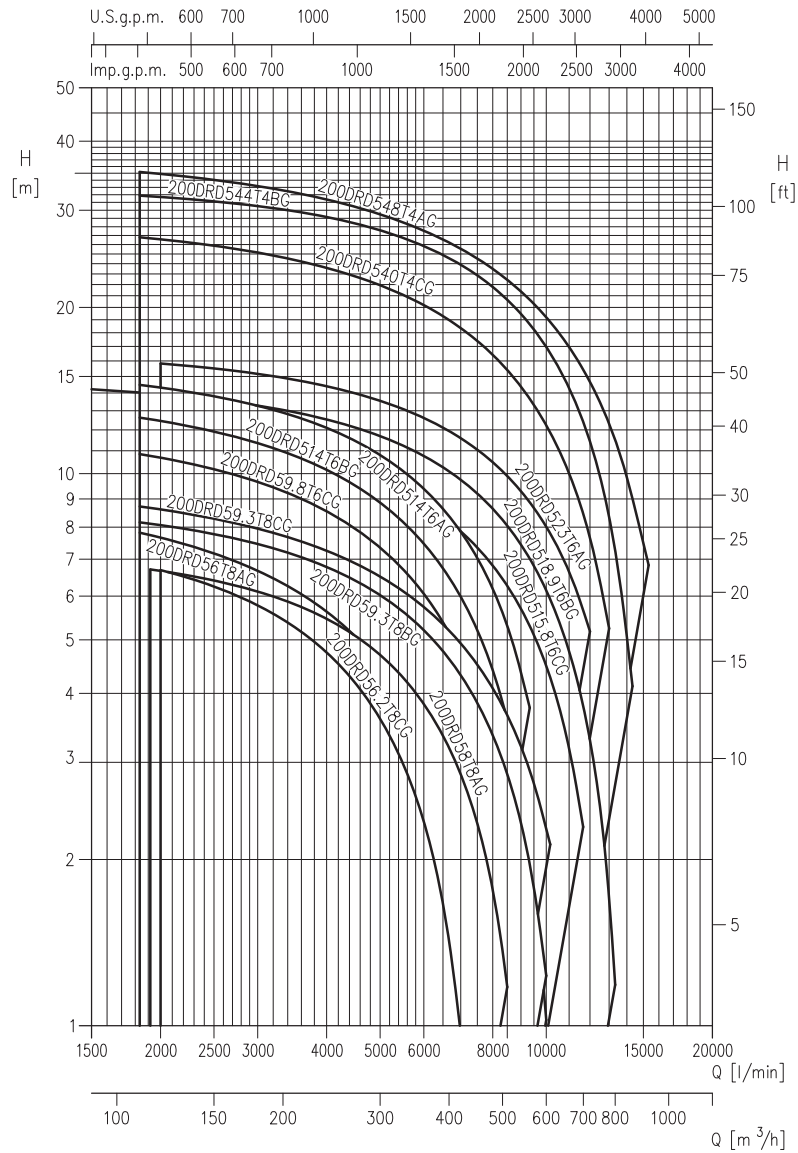
| Pump Type<br>DRD/100              | Power |      | Q=Capacity |      |      |      |      |      |      |      |      |      |      |      |      |      |      |
|-----------------------------------|-------|------|------------|------|------|------|------|------|------|------|------|------|------|------|------|------|------|
|                                   | [kW]  | [HP] | l/min      | 0    | 500  | 833  | 1417 | 2417 | 2833 | 3000 | 3167 | 3333 | 3500 | 3583 | 3667 | 4000 | 4250 |
|                                   |       |      | m³/h       | 0    | 30   | 50   | 85   | 145  | 170  | 180  | 190  | 200  | 210  | 215  | 220  | 240  | 255  |
| H=Total manometric head in meters |       |      |            |      |      |      |      |      |      |      |      |      |      |      |      |      |      |
| 100DRD52.7T6AG                    | 2.7   | 3.6  | 7.6        | 7.1  | 6.6  | 5.3  | 2.3  | 0.8  | -    | -    | -    | -    | -    | -    | -    | -    | -    |
| 100DRD52.8T6AG                    | 2.8   | 3.8  | 8.8        | 7.7  | 7    | 5.7  | 3.3  | 2.3  | 1.9  | 1.5  | 1.1  | -    | -    | -    | -    | -    | -    |
| 100DRD54.6T4CG                    | 4.6   | 6.2  | 12         | 10.4 | 9.4  | 7.6  | 4.7  | 3.6  | -    | -    | -    | -    | -    | -    | -    | -    | -    |
| 100DRD54.6T4BG                    | 4.6   | 6.2  | 13.1       | 11.3 | 10.2 | 8.3  | 5.4  | -    | -    | -    | -    | -    | -    | -    | -    | -    | -    |
| 100DRD57.1T4BG                    | 7.1   | 9.5  | 18.4       | 16.5 | 15.2 | 12.5 | 8.3  | 6.9  | 6.2  | 5.5  | 4.7  | -    | -    | -    | -    | -    | -    |
| 100DRD57.5T4FG                    | 7.5   | 10.1 | 18.6       | 17   | 15.9 | 13.7 | 9.8  | 8.5  | 7.8  | 7.1  | 6.3  | 5.6  | 5.2  | 4.9  | -    | -    | -    |
| 100DRD510T4FG                     | 10    | 13.4 | 20         | 18.5 | 15.4 | 11.8 | 10.5 | 9.8  | 9.1  | 8.5  | 7.7  | 7.4  | 7    | 5.6  | 4.4  | -    | -    |
| 100DRD510T4AG                     | 10    | 13.4 | 21         | 19.7 | 18.8 | 16.8 | 13.3 | 12   | 11.3 | 10.6 | 9.9  | 9.2  | 8.8  | 8.5  | 7    | -    | -    |
| 100DRD512T2DG                     | 12    | 16.1 | 36.5       | 33.5 | 31.2 | 26.3 | 15.9 | 10.8 | 8.6  | -    | -    | -    | -    | -    | -    | -    | -    |
| 100DRD514.9T2CG                   | 14.9  | 20.0 | 41         | 38.2 | 36   | 31.1 | 19.7 | 13.9 | 11.3 | 8.7  | 6    | -    | -    | -    | -    | -    | -    |
| 100DRD516.6T2BG                   | 16.6  | 22.3 | 46.5       | 43.5 | 41   | 36.1 | 25.5 | 20.3 | 18.1 | 15.8 | 13.5 | 11.1 | -    | -    | -    | -    | -    |
| 100DRD518.2T2AG                   | 18.2  | 24.4 | 48         | 45   | 42.5 | 37.7 | -    | -    | -    | -    | -    | -    | -    | -    | -    | -    | -    |
| 100DRD520T2AG                     | 20    | 26.8 | 48.5       | 47   | 45.5 | 41   | 30.1 | 24.2 | 21.7 | 18.9 | 16.1 | 13.1 | 11.6 | -    | -    | -    | -    |

150 DRD



| Pump Type<br>DRD/150 | Power |       | Q=Capacity |      |      |      |      |      |      |      |      |      |      |      |      |      |      |      |      |      |      |      |      |      |       |
|----------------------|-------|-------|------------|------|------|------|------|------|------|------|------|------|------|------|------|------|------|------|------|------|------|------|------|------|-------|
|                      | [kW]  | [HP]  | l/min      | 0    | 1000 | 1083 | 1167 | 1333 | 2667 | 4000 | 4167 | 5000 | 5500 | 5833 | 6083 | 6667 | 7000 | 7167 | 7333 | 7833 | 8000 | 8667 | 9000 | 9667 | 11000 |
|                      |       |       | m³/h       | 0    | 60   | 65   | 70   | 80   | 160  | 240  | 250  | 300  | 330  | 350  | 365  | 400  | 420  | 430  | 440  | 470  | 480  | 520  | 540  | 580  | 660   |
| 150DRD56T6CG         | 6     | 8.0   | 12.7       | 10.3 | 10.1 | 9.9  | 9.6  | 6.8  | 4.3  | 4.1  | 2.8  | 2.1  | 1.6  | -    | -    | -    | -    | -    | -    | -    | -    | -    | -    | -    | -     |
| 150DRD58T6BG         | 8     | 10.7  | 13.1       | -    | 11   | 10.8 | 10.5 | 8    | 5.5  | 5.2  | 3.6  | 2.7  | 2.1  | 1.7  | -    | -    | -    | -    | -    | -    | -    | -    | -    | -    | -     |
| 150DRD512T6AG        | 12    | 16.1  | 14.5       | 13.5 | 13.4 | 13.2 | 11.3 | 8.8  | 8.5  | 6.6  | 5.4  | 4.5  | 3.9  | 2.2  | 1.2  | -    | -    | -    | -    | -    | -    | -    | -    | -    | -     |
| 150DRD514T6BG        | 14    | 18.8  | 15.6       | -    | 14.7 | 14.5 | 12.9 | 10.5 | 10.2 | 8.4  | 7.1  | 6.3  | 5.6  | 3.9  | 3    | 2.5  | -    | -    | -    | -    | -    | -    | -    | -    | -     |
| 150DRD523T4CG        | 23    | 30.8  | 23         | 21.9 | 21.8 | 21.7 | 21.5 | 19.3 | 16.3 | 15.9 | 13.5 | 12   | 10.9 | 10.1 | 8    | 6.8  | 6.1  | 5.5  | -    | -    | -    | -    | -    | -    | -     |
| 150DRD527T4BG        | 27    | 36.2  | 27.6       | 26   | 25.8 | 25.7 | 25.4 | 22.7 | 19.5 | 19   | 16.8 | 15.3 | 14.3 | 13.5 | 11.7 | 10.5 | 10   | 9.4  | 7.6  | -    | -    | -    | -    | -    | -     |
| 150DRD527T4AG        | 27    | 36.2  | 29.5       | 28.7 | 28.6 | 28.5 | 28.3 | 25.9 | 22.5 | 22   | 19.2 | 17.3 | 15.9 | 14.9 | 12.3 | 10.7 | 9.9  | 9    | 6.4  | -    | -    | -    | -    | -    | -     |
| 150DRD530T4BG        | 30    | 40.2  | 28.5       | -    | 27.5 | 27.4 | 25.4 | 22.7 | 22.3 | 20.1 | 18.6 | 17.6 | 16.8 | 14.8 | 13.6 | 13   | 12.4 | 10.4 | 9.7  | 6.9  | 5.4  | -    | -    | -    | -     |
| 150DRD530.1T4BG      | 30    | 40.2  | 30.7       | -    | 30   | 29.8 | 27.8 | 24.5 | 24   | 21.2 | 19.4 | 18   | 17   | 14.3 | 12.7 | 11.9 | 11.1 | 8.4  | 7.5  | 3.6  | -    | -    | -    | -    | -     |
| 150DRD535T2AG        | 35    | 46.9  | 49.5       | -    | 47   | 46.5 | 40.5 | 31.2 | -    | -    | -    | -    | -    | -    | -    | -    | -    | -    | -    | -    | -    | -    | -    | -    | -     |
| 150DRD535.7T4EG      | 35.7  | 47.9  | 32.9       | -    | 31.8 | 31.7 | 29.6 | 26.8 | 26.3 | 24.1 | 22.7 | 21.6 | 20.8 | 18.8 | 17.6 | 17   | 16.3 | 14.4 | 13.7 | 10.8 | -    | -    | -    | -    | -     |
| 150DRD535.7T4AG      | 35.7  | 47.9  | 35.7       | -    | 33.8 | 30.5 | 26.9 | 26.4 | 23.6 | 21.9 | 20.7 | -    | -    | -    | -    | -    | -    | -    | -    | -    | -    | -    | -    | -    | -     |
| 150DRD540.2T2BG      | 40.2  | 53.9  | 55         | -    | 51.7 | 51.4 | 50.8 | 45   | 37.7 | 36.7 | -    | -    | -    | -    | -    | -    | -    | -    | -    | -    | -    | -    | -    | -    | -     |
| 150DRD541T4AG        | 41    | 55.0  | 36.7       | -    | -    | 35.3 | 33   | 30.1 | 29.7 | 27.4 | 25.9 | 24.9 | 24.1 | 22   | 20.8 | 20.2 | 19.6 | 17.6 | 16.9 | 14   | 12.5 | 9.4  | -    | -    | -     |
| 150DRD552T2CG        | 52    | 69.7  | 58.6       | 57   | 56.8 | 56.6 | 56.1 | 50.6 | 42   | 40.8 | 33.7 | -    | -    | -    | -    | -    | -    | -    | -    | -    | -    | -    | -    | -    | -     |
| 150DRD560T4GG        | 60    | 80.5  | 42.5       | 42.5 | 42.5 | 42.5 | 42   | 41   | 37.8 | 37.3 | 34.7 | 32.8 | 31.4 | 30.4 | 27.6 | -    | -    | -    | -    | -    | -    | -    | -    | -    | -     |
| 150DRD575T4CG        | 75    | 100.6 | 45         | -    | -    | 45.5 | 45   | 42.5 | 42   | 39.5 | 37.7 | 36.4 | 35.4 | 32.7 | 31.1 | 30.2 | 29.4 | 26.6 | 25.6 | 21.4 | 19.2 | 14.4 | 3.8  | -    | -     |
| 150DRD580T4BG        | 80    | 107.3 | 51.5       | 52   | 52   | 52   | 51.5 | 49   | 49   | 48.5 | 45   | 44   | 43   | 40.5 | 39   | 38.2 | 37.4 | 34.8 | 33.9 | -    | -    | -    | -    | -    | -     |
| 150DRD580T4AG        | 80    | 107.3 | 57         | -    | 56.5 | 55   | 53   | 52.5 | 50.5 | 49   | 49   | 48   | 47.5 | 45.5 | -    | -    | -    | -    | -    | -    | -    | -    | -    | -    | -     |

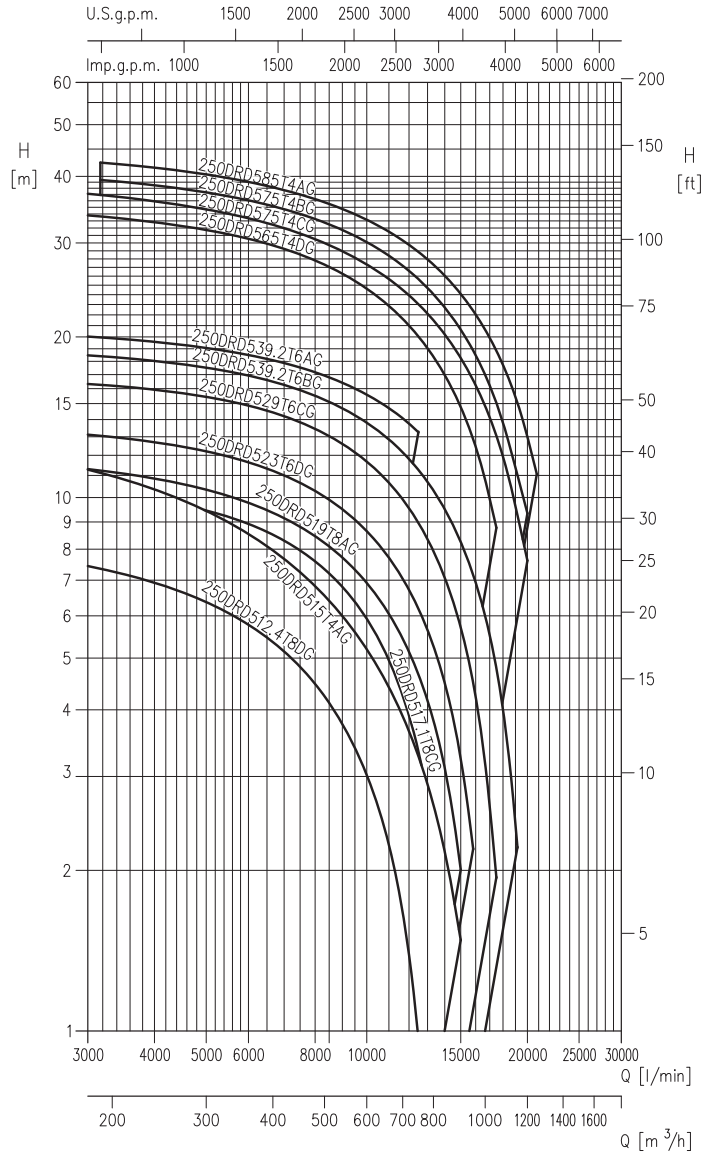
## 200 DRD



| Pump Type<br>DRD/200 | Power |      | Q=Capacity |      |      |      |      |      |      |      |      |      |      |      |       |       |       |       |       |       |       |       |
|----------------------|-------|------|------------|------|------|------|------|------|------|------|------|------|------|------|-------|-------|-------|-------|-------|-------|-------|-------|
|                      | [kW]  | [HP] | l/min      | 0    | 1667 | 1833 | 1917 | 2000 | 4500 | 7000 | 7667 | 8500 | 9167 | 9333 | 10000 | 10167 | 11667 | 12000 | 13000 | 13333 | 14333 | 15333 |
|                      |       |      | m³/h       | 0    | 100  | 110  | 115  | 120  | 270  | 420  | 460  | 510  | 550  | 560  | 600   | 610   | 700   | 720   | 780   | 800   | 860   | 920   |
| 200DRD56T8AG         | 6     | 8.0  | 9.5        | -    | -    | 7.7  | 7.7  | 5.1  | 2.2  | 1.3  | -    | -    | -    | -    | -     | -     | -     | -     | -     | -     | -     | -     |
| 200DRD56.2T8CG       | 6.2   | 8.3  | 8.2        | -    | -    | 6.7  | 6.7  | 4.2  | 1    | -    | -    | -    | -    | -    | -     | -     | -     | -     | -     | -     | -     | -     |
| 200DRD58T8AG         | 8     | 10.7 | 7.4        | -    | 6.7  | 6.7  | 6.7  | 5.1  | 2.9  | 2.1  | 1.2  | -    | -    | -    | -     | -     | -     | -     | -     | -     | -     | -     |
| 200DRD59.3T8CG       | 9.3   | 12.5 | 9.1        | -    | 8.2  | 8.1  | 8.1  | 6.4  | 4.3  | 3.7  | 2.9  | 2.2  | 1.8  | 1.2  | 1     | -     | -     | -     | -     | -     | -     | -     |
| 200DRD59.3T8BG       | 9.3   | 12.5 | 9.8        | -    | 8.7  | 8.7  | 8.6  | 6.9  | 4.9  | 4.4  | 3.6  | 3.1  | 2.7  | 2.3  | -     | -     | -     | -     | -     | -     | -     | -     |
| 200DRD59.8T6CG       | 9.8   | 13.1 | 12.5       | -    | 10.9 | 10.8 | 10.7 | 8    | 4.7  | 3.7  | 2.5  | 1.4  | -    | -    | -     | -     | -     | -     | -     | -     | -     | -     |
| 200DRD514T6BG        | 14    | 18.8 | 14.4       | -    | 12.6 | 12.5 | 12.5 | 9.5  | 6    | 4.9  | 3.6  | 2.4  | 1.8  | 1    | -     | -     | -     | -     | -     | -     | -     | -     |
| 200DRD514T6AG        | 14    | 18.8 | 16         | -    | 14.5 | 14.4 | 14.3 | 11.5 | 7.8  | 6.7  | 5.3  | 4.1  | 3.5  | -    | -     | -     | -     | -     | -     | -     | -     | -     |
| 200DRD515.8T6CG      | 15.8  | 21.2 | 12.9       | -    | 12   | 11.9 | 11.9 | 10.1 | 7.9  | 7.2  | 6.3  | 5.5  | 5.3  | 4.5  | 4.3   | 2.3   | -     | -     | -     | -     | -     | -     |
| 200DRD518.9T6BG      | 18.9  | 25.3 | 15         | 14.1 | 14   | 14   | 13.9 | 12.1 | 9.7  | 9    | 8    | 7.2  | 7    | 6.1  | 5.9   | 3.8   | 3.3   | 1.7   | 1.2   | -     | -     | -     |
| 200DRD523T6AG        | 23    | 30.8 | 16.9       | -    | -    | -    | 15.8 | 14   | 11.6 | 10.9 | 9.9  | 9.1  | 8.9  | 8    | 7.8   | 5.7   | 5.2   | -     | -     | -     | -     | -     |
| 200DRD540T4CG        | 40    | 53.6 | 29.2       | -    | 26.8 | 26.7 | 26.6 | 22.8 | 18.4 | 17.1 | 15.4 | 14   | 13.7 | 12.2 | 11.9  | 8.5   | 7.7   | 5.2   | -     | -     | -     | -     |
| 200DRD544T4BG        | 44    | 59.0 | 33.6       | -    | 31.9 | 31.8 | 31.7 | 28.4 | 23.9 | 22.5 | 20.6 | 19.1 | 18.7 | 17   | 16.5  | 12.4  | 11.4  | 8.4   | 7.3   | 4     | -     | -     |
| 200DRD548T4AG        | 48    | 64.4 | 38.3       | -    | 35.2 | 35.1 | 34.9 | 30.4 | 25.5 | 24.2 | 22.4 | 21   | 20.7 | 19.2 | 18.8  | 15.4  | 14.7  | 12.3  | 11.5  | 9.1   | 6.6   | -     |

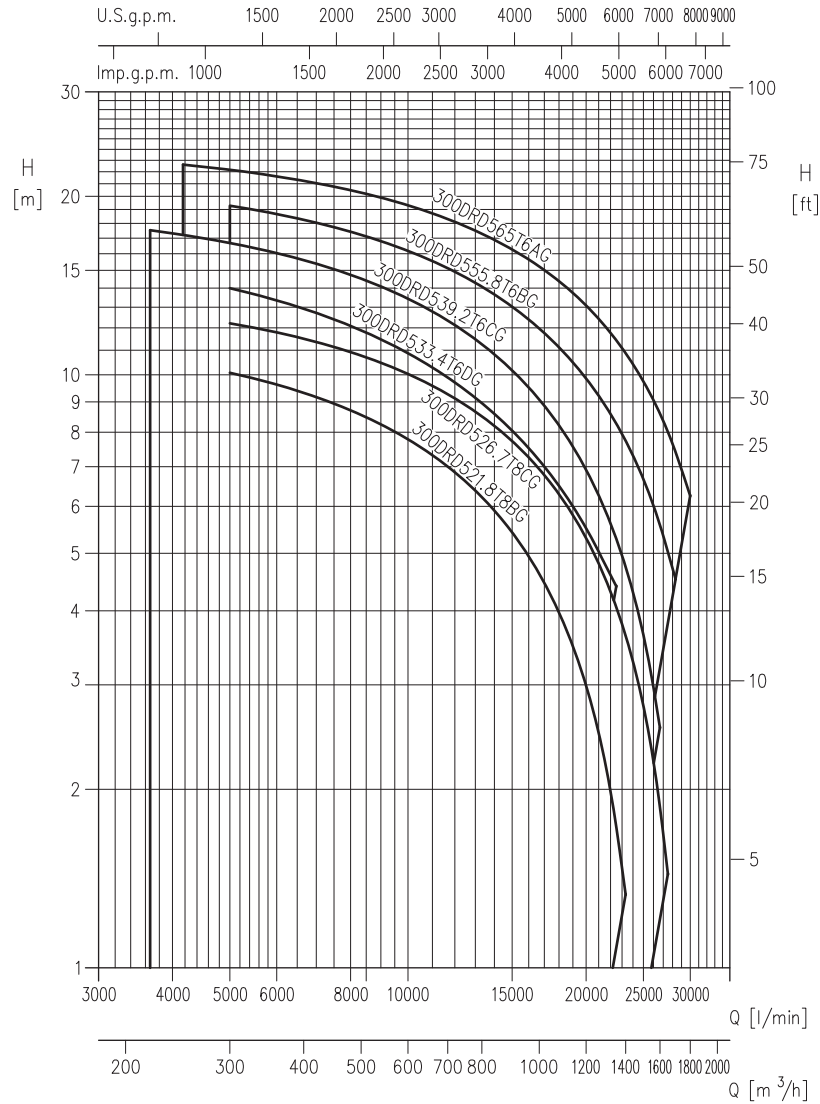


250 DRD



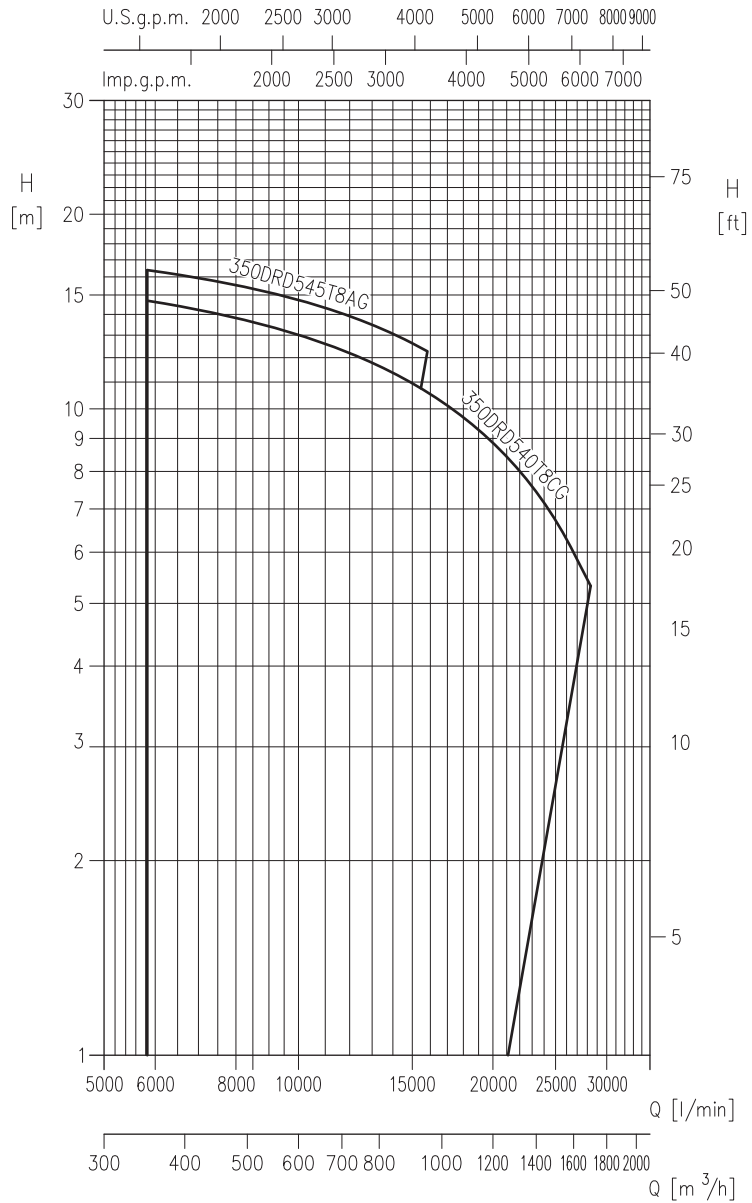
| Pump Type<br>DRD/250 | Power |       | Q=Capacity                        |      |      |      |      |      |       |       |       |       |       |       |       |       |       |       |
|----------------------|-------|-------|-----------------------------------|------|------|------|------|------|-------|-------|-------|-------|-------|-------|-------|-------|-------|-------|
|                      | [kW]  | [HP]  | l/min                             | 0    | 3000 | 3167 | 5000 | 8333 | 12500 | 12667 | 14000 | 15000 | 15833 | 17500 | 19167 | 19833 | 20000 | 20833 |
|                      |       |       | m³/h                              | 0    | 180  | 190  | 300  | 500  | 750   | 760   | 840   | 900   | 950   | 1'050 | 1'150 | 1'190 | 1'200 | 1'250 |
|                      |       |       | H=Total manometric head in meters |      |      |      |      |      |       |       |       |       |       |       |       |       |       |       |
| 250DRD515T4AG        | 15    | 20.1  | 14.2                              | 11.3 | 11.1 | 9.4  | 6.3  | 3.3  | 3.1   | 2.2   | 1.5   | -     | -     | -     | -     | -     | -     | -     |
| 250DRD512.4T8DG      | 12.4  | 16.6  | 8.7                               | 7.4  | 7.4  | 6.4  | 4    | 1    | 0.8   | -     | -     | -     | -     | -     | -     | -     | -     | -     |
| 250DRD517.1T8CG      | 17.1  | 22.9  | 10.8                              | 10.3 | 10.2 | 9.5  | 7.1  | 3.3  | 3.1   | 1.5   | -     | -     | -     | -     | -     | -     | -     | -     |
| 250DRD519T8AG        | 19    | 25.5  | 12.3                              | 11.3 | 11.2 | 10.3 | 8    | 4.7  | 4.5   | 3.1   | 2     | -     | -     | -     | -     | -     | -     | -     |
| 250DRD523T6DG        | 23    | 30.8  | 13.9                              | 13.1 | 13.1 | 12.2 | 9.8  | 6.2  | 6     | 4.5   | 3.3   | 2.2   | -     | -     | -     | -     | -     | -     |
| 250DRD529T6CG        | 29    | 38.9  | 17                                | 16.3 | 16.3 | 15.4 | 12.9 | 9    | 8.8   | 7.1   | 5.7   | 4.5   | 1.9   | -     | -     | -     | -     | -     |
| 250DRD539.2T6BG      | 39.2  | 52.6  | 19.4                              | 18.5 | 18.4 | 17.5 | 15   | 11.3 | 11.1  | 9.5   | 8.3   | 7.1   | 4.8   | 2.2   | -     | -     | -     | -     |
| 250DRD539.2T6AG      | 39.2  | 52.6  | 21                                | 20   | 20   | 19.1 | 16.7 | 13.3 | -     | -     | -     | -     | -     | -     | -     | -     | -     | -     |
| 250DRD565T4DG        | 65    | 87.2  | 36.1                              | 33.8 | 33.7 | 31.7 | 26.8 | 20   | 19.7  | 17    | 14.8  | 12.8  | 8.8   | -     | -     | -     | -     | -     |
| 250DRD575T4CG        | 75    | 100.6 | 40.5                              | 37.1 | 36.9 | 34.7 | 29.5 | 23   | 22.7  | 20.2  | 18.3  | 16.6  | 13    | 9.3   | 7.8   | 7.4   | -     | -     |
| 250DRD575T4BG        | 75    | 100.6 | 42.5                              | -    | 39.4 | 37.3 | 32.3 | 25.7 | 25.3  | 22.7  | 20.6  | 18.8  | 15    | 11    | 9.4   | -     | -     | -     |
| 250DRD585T4AG        | 85    | 114.0 | 45.5                              | -    | 42.5 | 40.5 | 35.3 | 28.9 | 28.6  | 26.1  | 24.1  | 22.4  | 18.8  | 15    | 13.5  | 13.1  | 11.1  | -     |

300 DRD



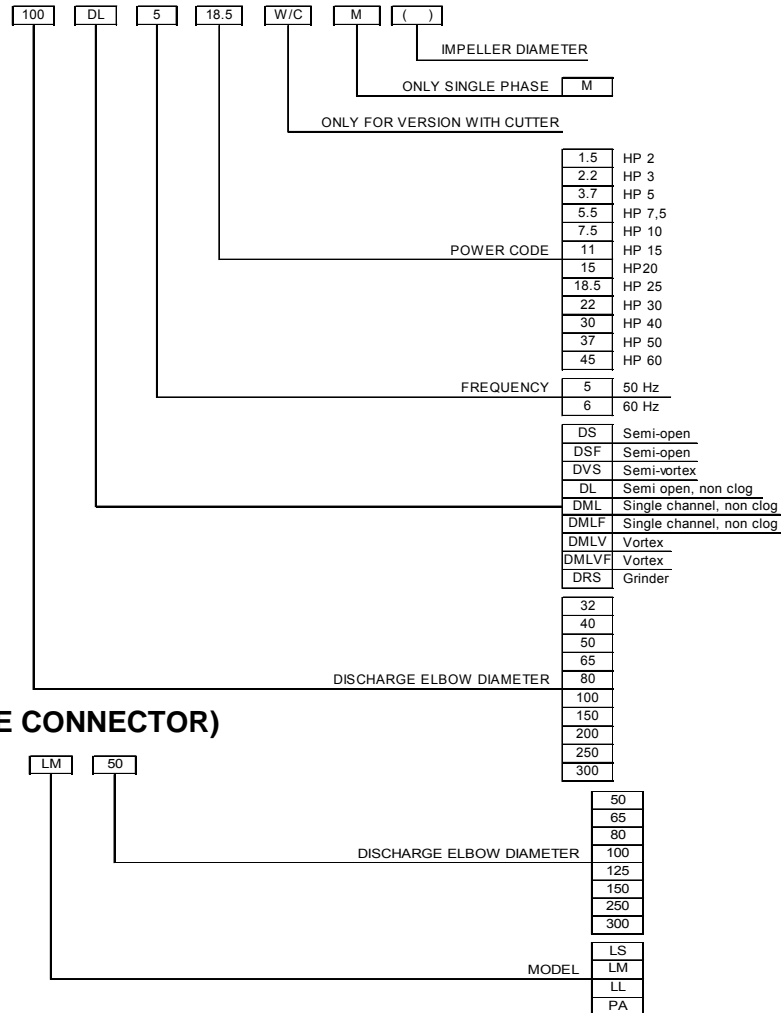
| Pump Type<br>DRD/350              | Power |      | Q=Capacity |      |      |      |      |      |       |       |       |       |       |       |       |       |       |
|-----------------------------------|-------|------|------------|------|------|------|------|------|-------|-------|-------|-------|-------|-------|-------|-------|-------|
|                                   | [kW]  | [HP] | l/min      | 0    | 3667 | 4167 | 5000 | 8333 | 11667 | 15000 | 18333 | 22500 | 23333 | 26667 | 27500 | 28333 | 30000 |
|                                   |       |      | m³/h       | 0    | 220  | 250  | 300  | 500  | 700   | 900   | 1'100 | 1'350 | 1'400 | 1'600 | 1'650 | 1'700 | 1'800 |
| H=Total manometric head in meters |       |      |            |      |      |      |      |      |       |       |       |       |       |       |       |       |       |
| 300DRD521.8T8BG                   | 21.8  | 29.2 | 12.3       | -    | -    | 10.1 | 8.6  | 7    | 5.4   | 3.8   | 1.7   | 1.3   | -     | -     | -     | -     | -     |
| 300DRD526.7T8CG                   | 26.7  | 35.8 | 14.3       | -    | -    | 12.2 | 10.8 | 9.3  | 7.7   | 6.1   | 4.1   | 3.6   | 1.9   | 1.4   | -     | -     | -     |
| 300DRD533.4T6DG                   | 33.4  | 44.8 | 17.4       | -    | -    | 14   | 11.9 | 9.9  | 8     | 6.3   | 4.3   | -     | -     | -     | -     | -     | -     |
| 300DRD539.2T6CG                   | 39.2  | 52.6 | 20         | 17.6 | 17.2 | 16.7 | 14.5 | 12.4 | 10.2  | 8     | 5.3   | 4.7   | 2.6   | -     | -     | -     | -     |
| 300DRD555.8T6BG                   | 55.8  | 74.8 | 22.4       | -    | -    | 19.3 | 17.2 | 15.1 | 13    | 10.9  | 8.3   | 7.7   | 5.6   | 5.1   | 4.5   | -     | -     |
| 300DRD565T6AG                     | 65    | 87.2 | 24.9       | -    | 22.6 | 22.2 | 20.3 | 18.3 | 16.3  | 14.2  | 11.4  | 10.9  | 8.6   | 8     | 7.4   | 6.2   | -     |

**350 DRD**



| Pump Type<br>DRD/350              | Power |      | Q=Capacity |      |      |       |       |       |       |       |
|-----------------------------------|-------|------|------------|------|------|-------|-------|-------|-------|-------|
|                                   | [kW]  | [HP] | l/min      | 5833 | 8333 | 11667 | 15833 | 20000 | 25000 | 28333 |
|                                   |       |      | m³/h       | 0    | 350  | 500   | 700   | 950   | 1'200 | 1'500 |
| H=Total manometric head in meters |       |      |            |      |      |       |       |       |       |       |
| 350DRD540T8CG                     | 40    | 53.6 | 17         | 14.7 | 13.7 | 12.3  | 10.6  | 8.9   | 6.7   | 5.3   |
| 350DRD545T8AG                     | 45    | 60.3 | 18.6       | 16.4 | 15.4 | 14.1  | 12.3  | -     | -     | -     |

**TYPE KEY PUMP**



**QDC (QUICK DISCHARGE CONNECTOR)**

**PERFORMANCE CURVE SPECIFICATIONS**

The specifications below qualify the curves shown on the following pages.

Tolerances according to ISO 9906 Annex A

The curves refer to effective speed of asynchronous motors at 50 Hz

Measurements were carried out with clean water at 20°C of temperature and with a kinematic viscosity of  $\nu = 1 \text{ mm}^2/\text{s}$  (1 cSt)

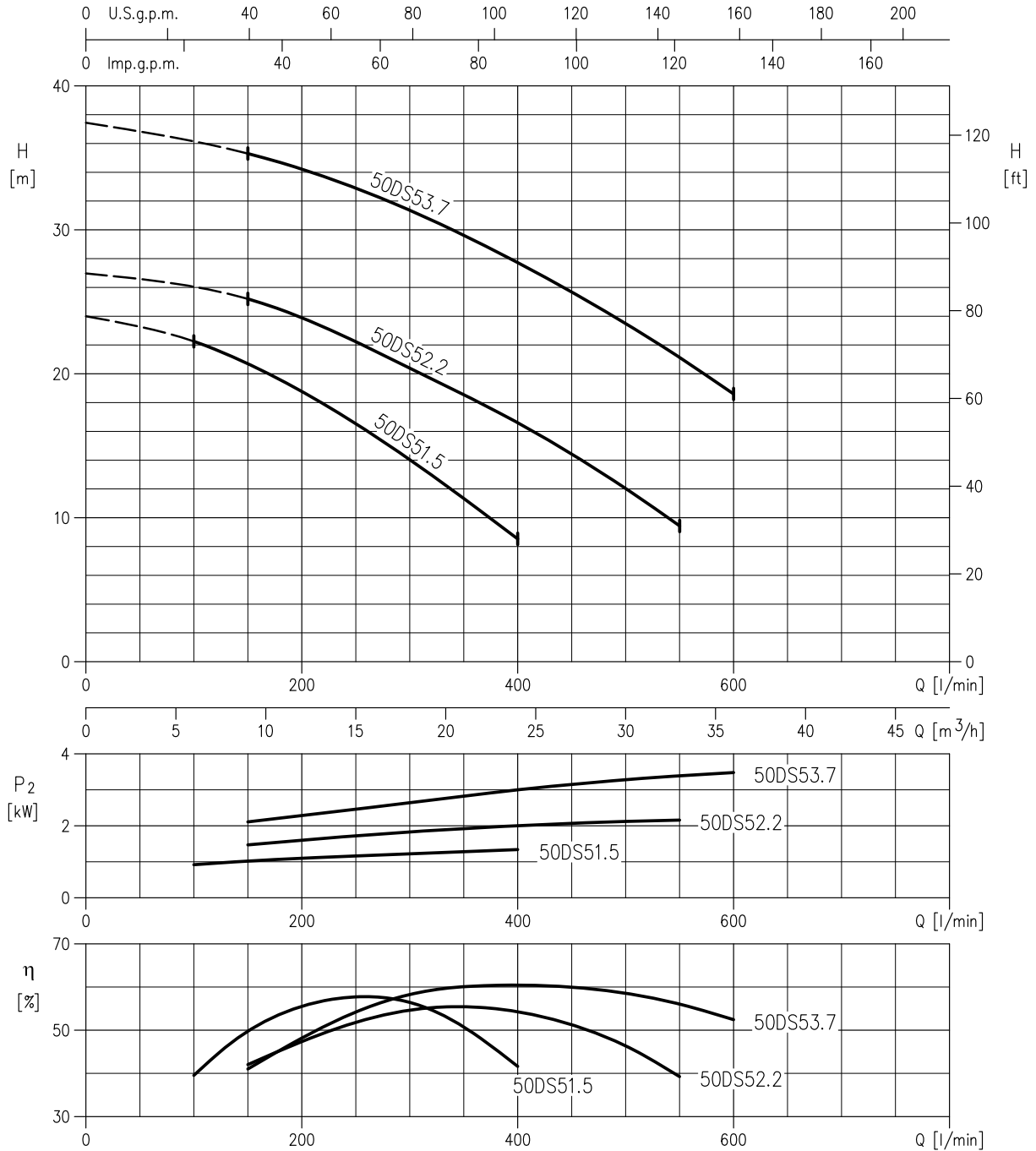
The continuous curves indicate the recommended working range. The dotted curve is only a guide.

In order to avoid the risk of over-heating, the pumps should not be used at a flow rate below 10% of best efficiency point.

Symbols explanation:

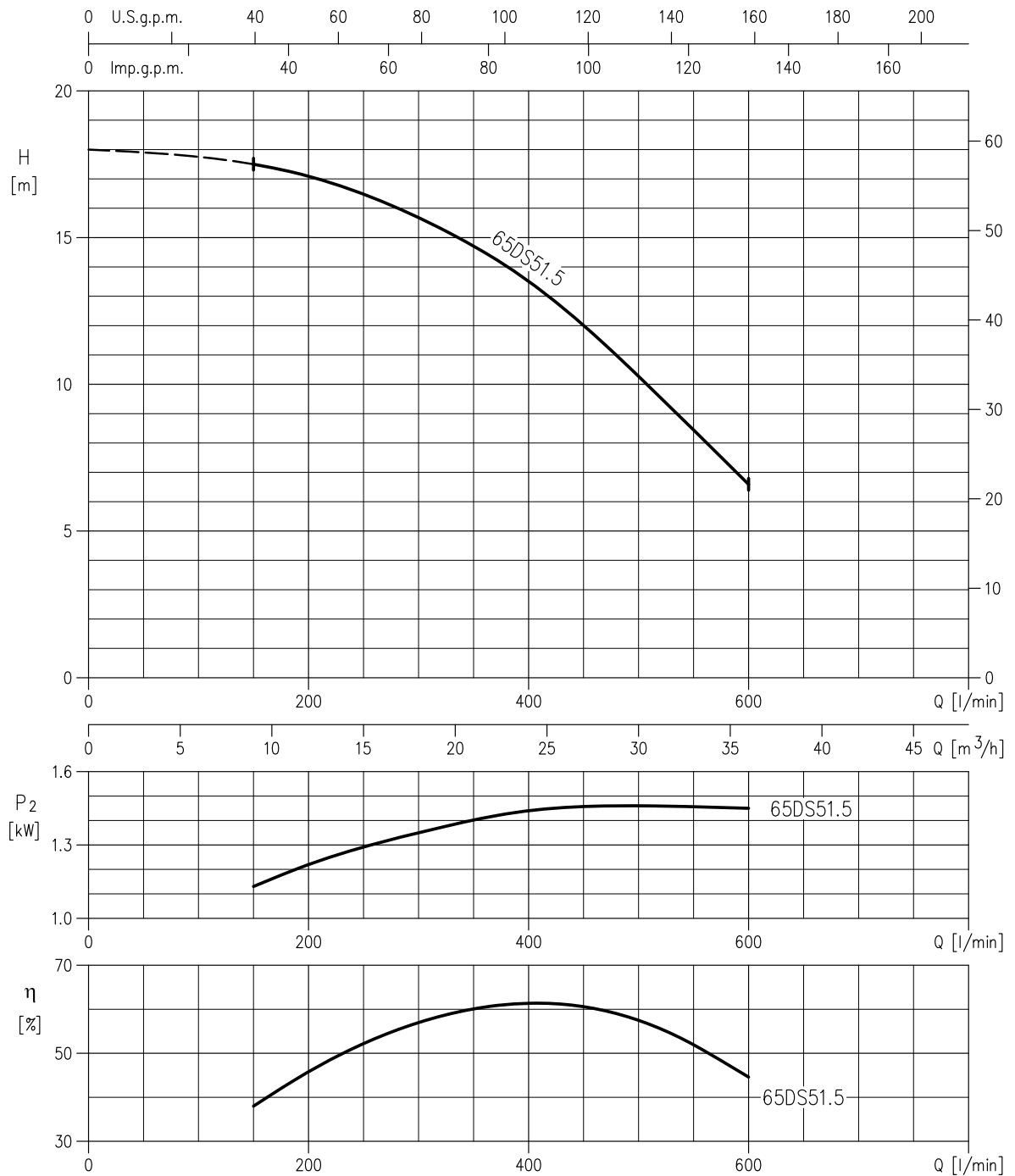
- Q = volume flow rate
- H = total head
- $P_2$  = pump power input (shaft power)
- $\eta$  = pump efficiency

50DS51.5 (1.5 kW)  
 50DS52.2 (2.2 kW)  
 50DS53.7 (3.7 kW)



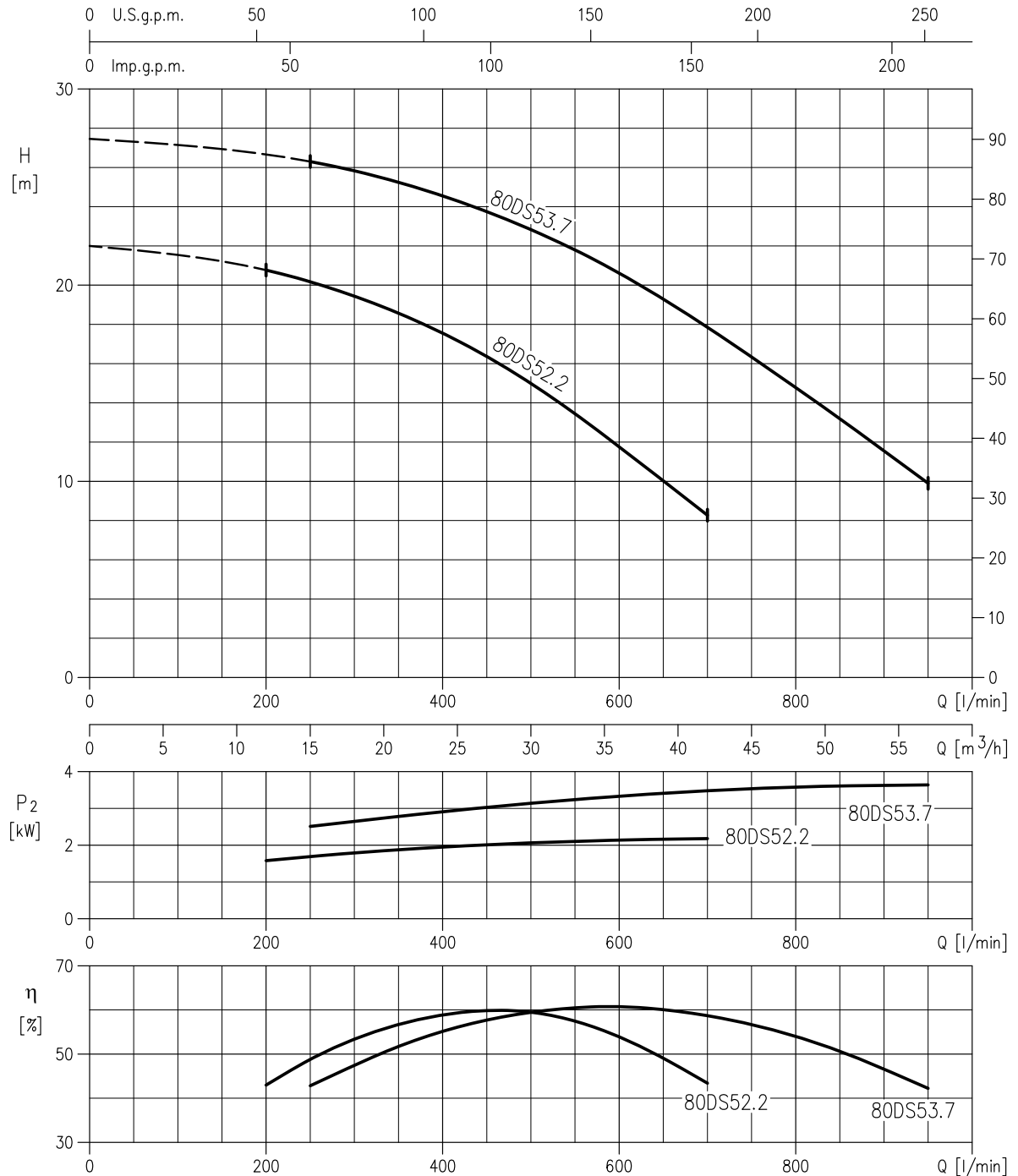
Rotation speed  $\approx 2850 \text{ min}^{-1}$   
 Test standard: ISO 9906 – Annex A

**65DS51.5 (1.5 kW)**



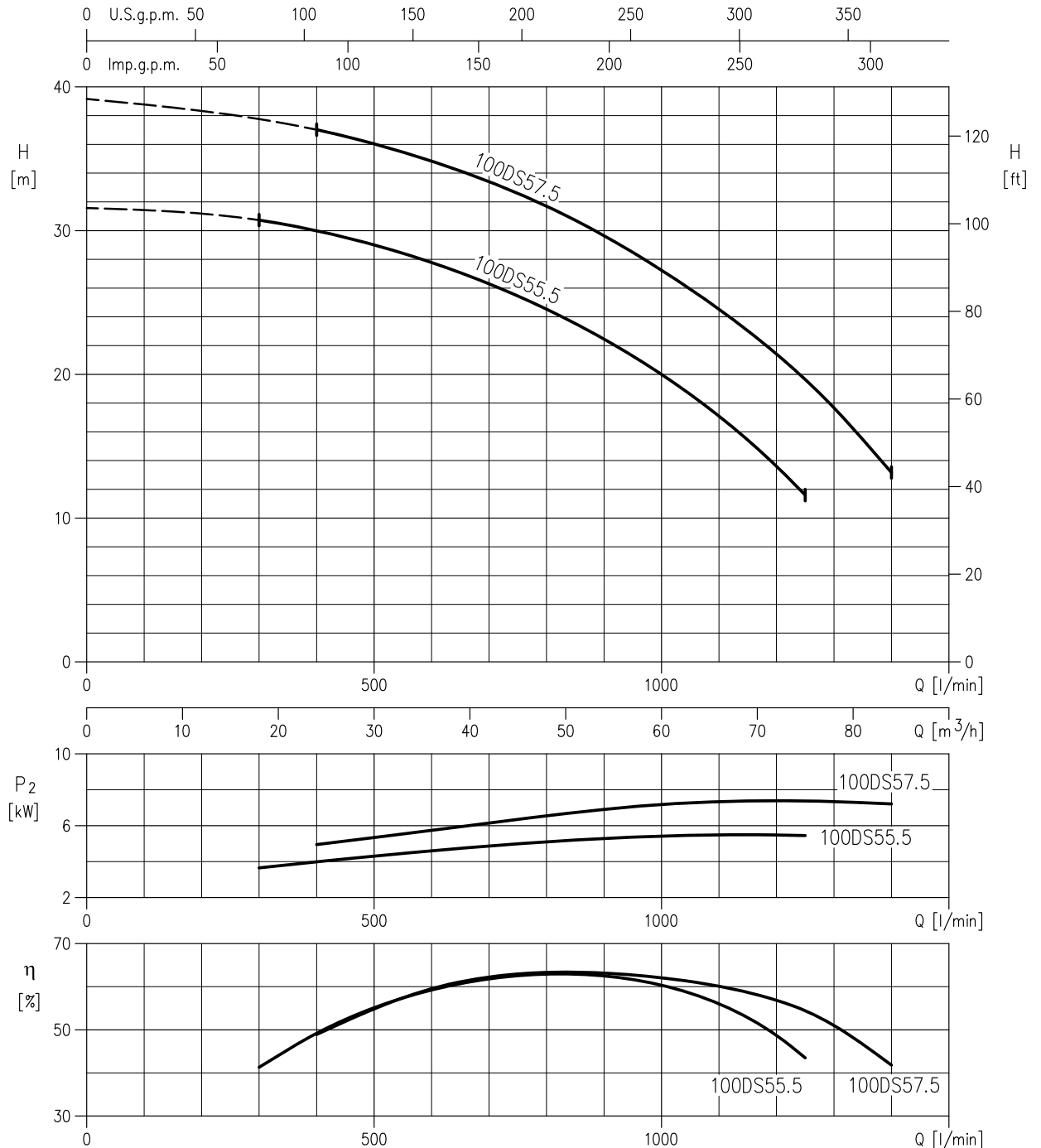
Rotation speed  $\approx 2850 \text{ min}^{-1}$   
 Test standard: ISO 9906 – Annex A

**80DS52.2 (2.2 kW)**  
**80DS53.7 (3.7 kW)**



Rotation speed  $\approx 2850 \text{ min}^{-1}$   
 Test standard: ISO 9906 – Annex A

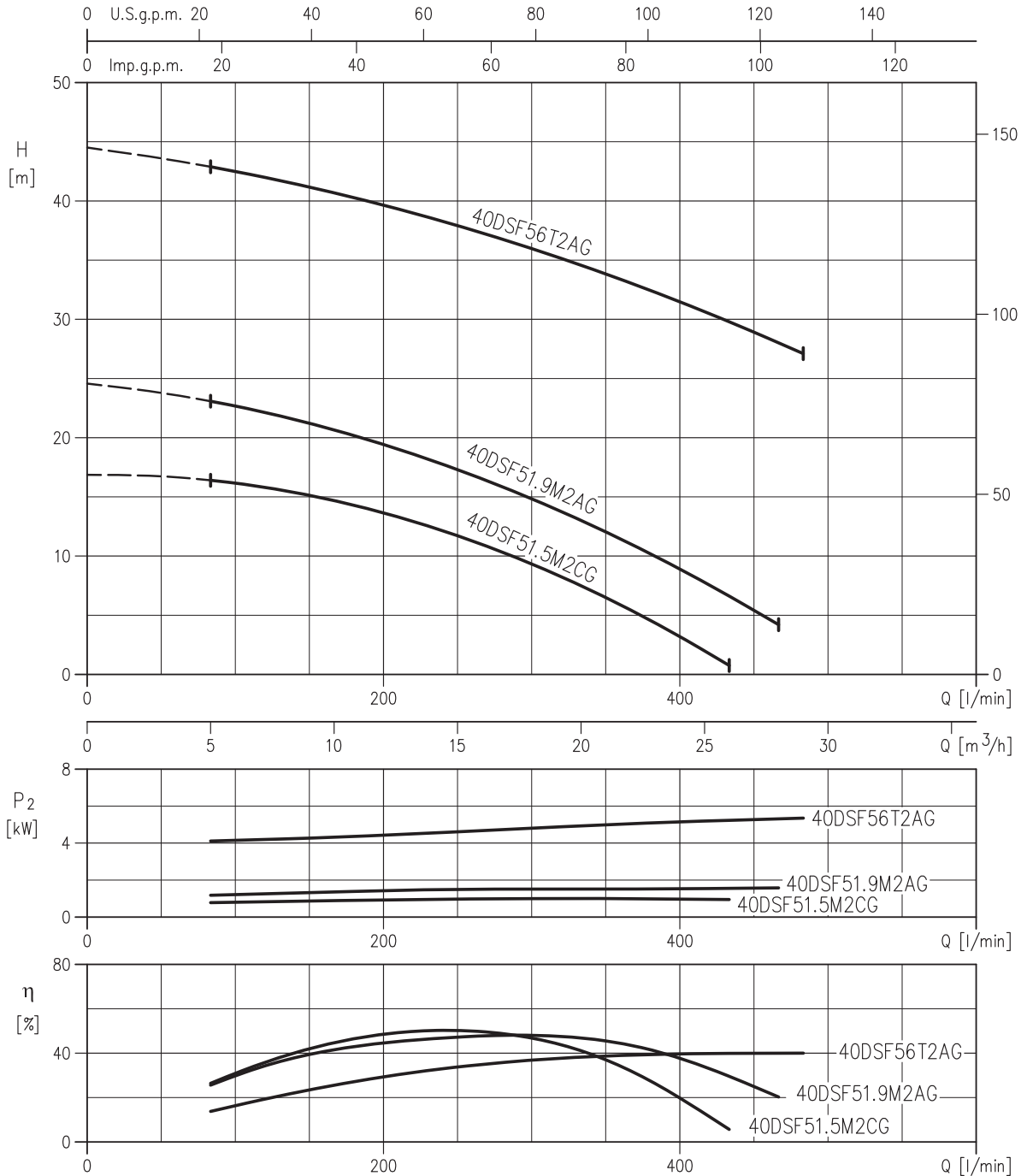
**100DS55.5 (5.5 kW)**  
**100DS57.5 (7.5 kW)**



Rotation speed  $\approx 2850 \text{ min}^{-1}$   
 Test standard: ISO 9906 – Annex A

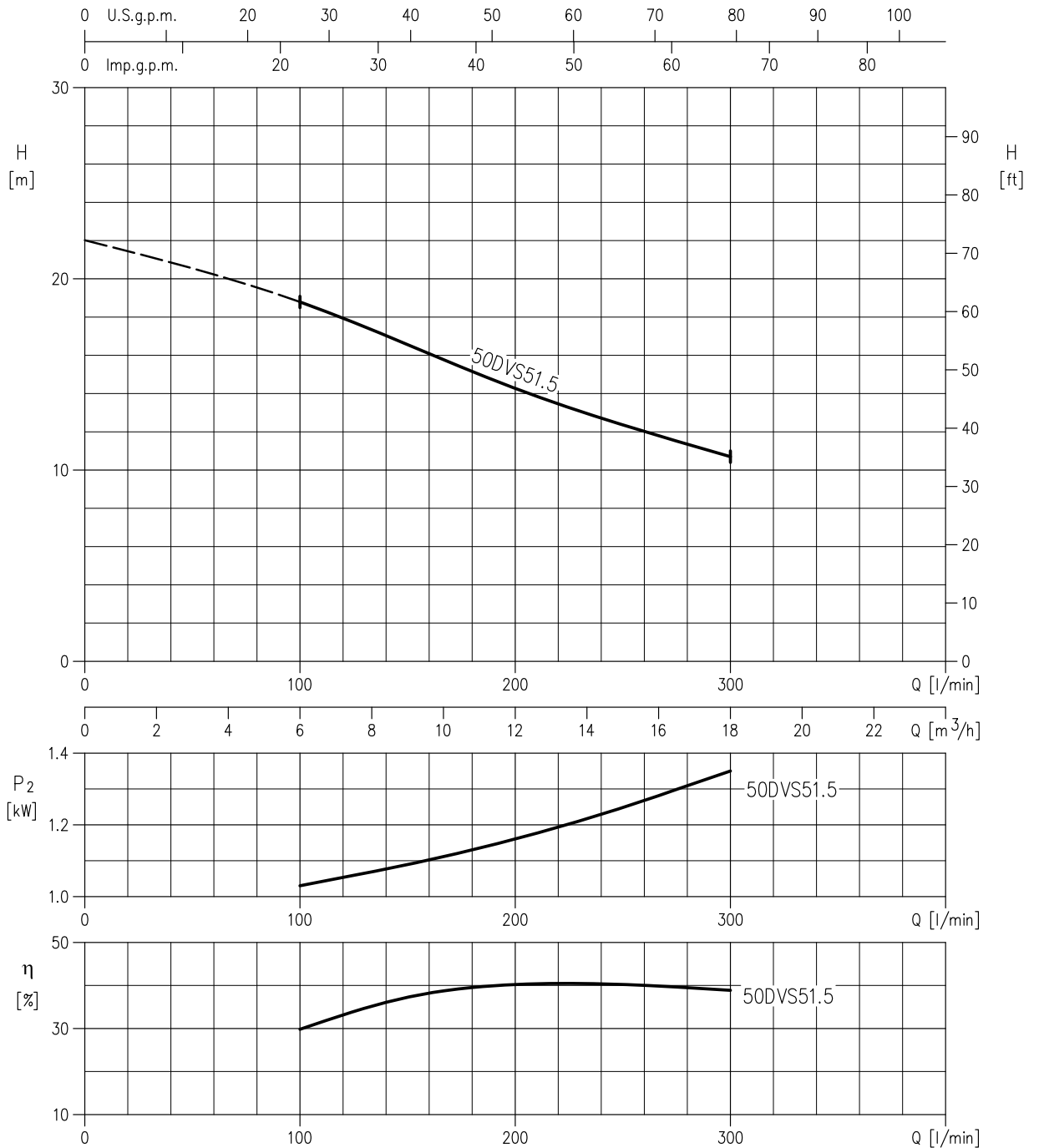


**40DSF51.5M2CG (1.5 kW)**  
**40DSF51.9M2AG (1.9 kW)**  
**40DSF56T2AG (6.0 kW)**



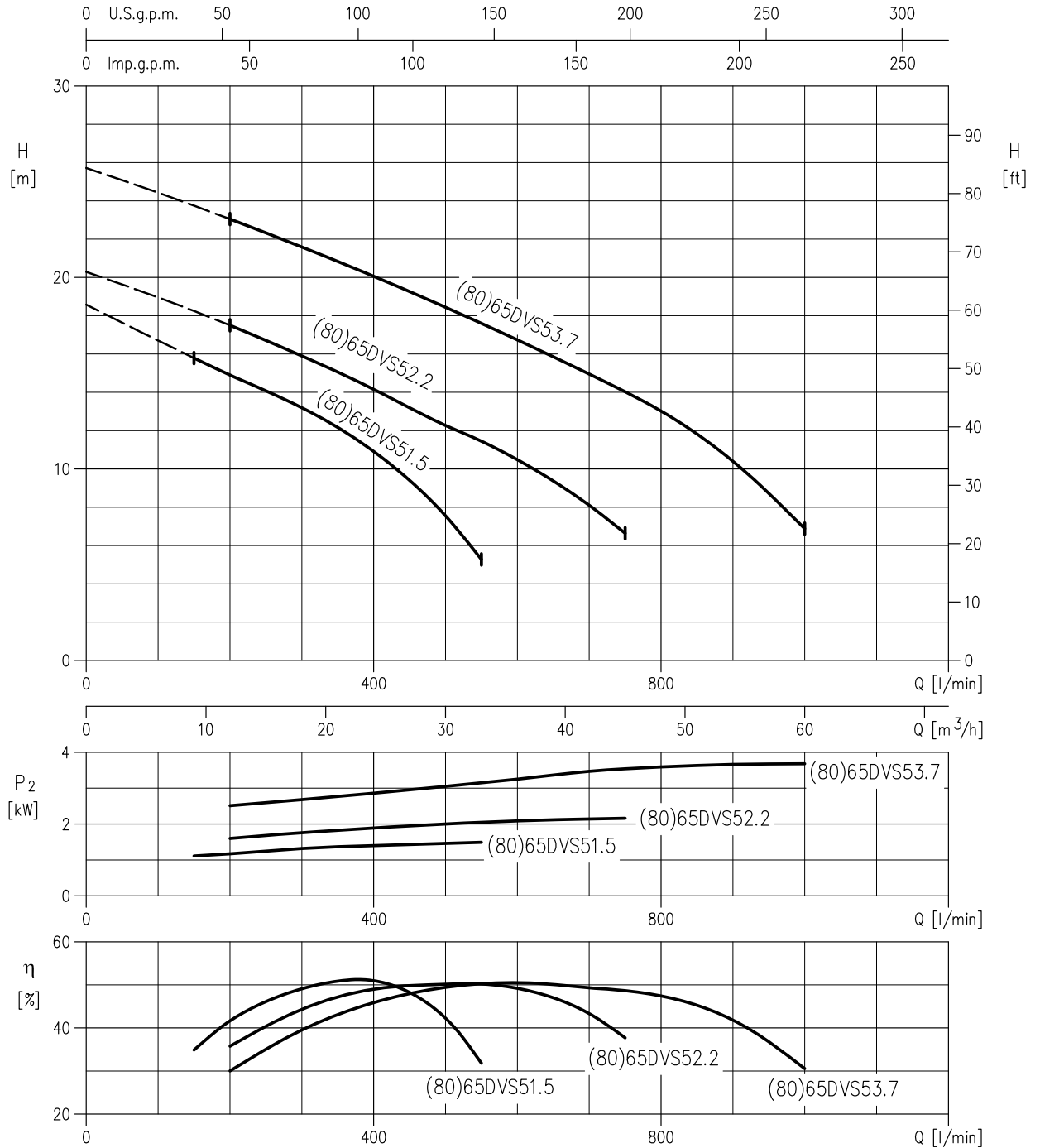
Rotation speed  $\approx 2850 \text{ min}^{-1}$   
 Test standard: ISO 9906 – Annex A

**50DVS51.5 (1.5 kW)**



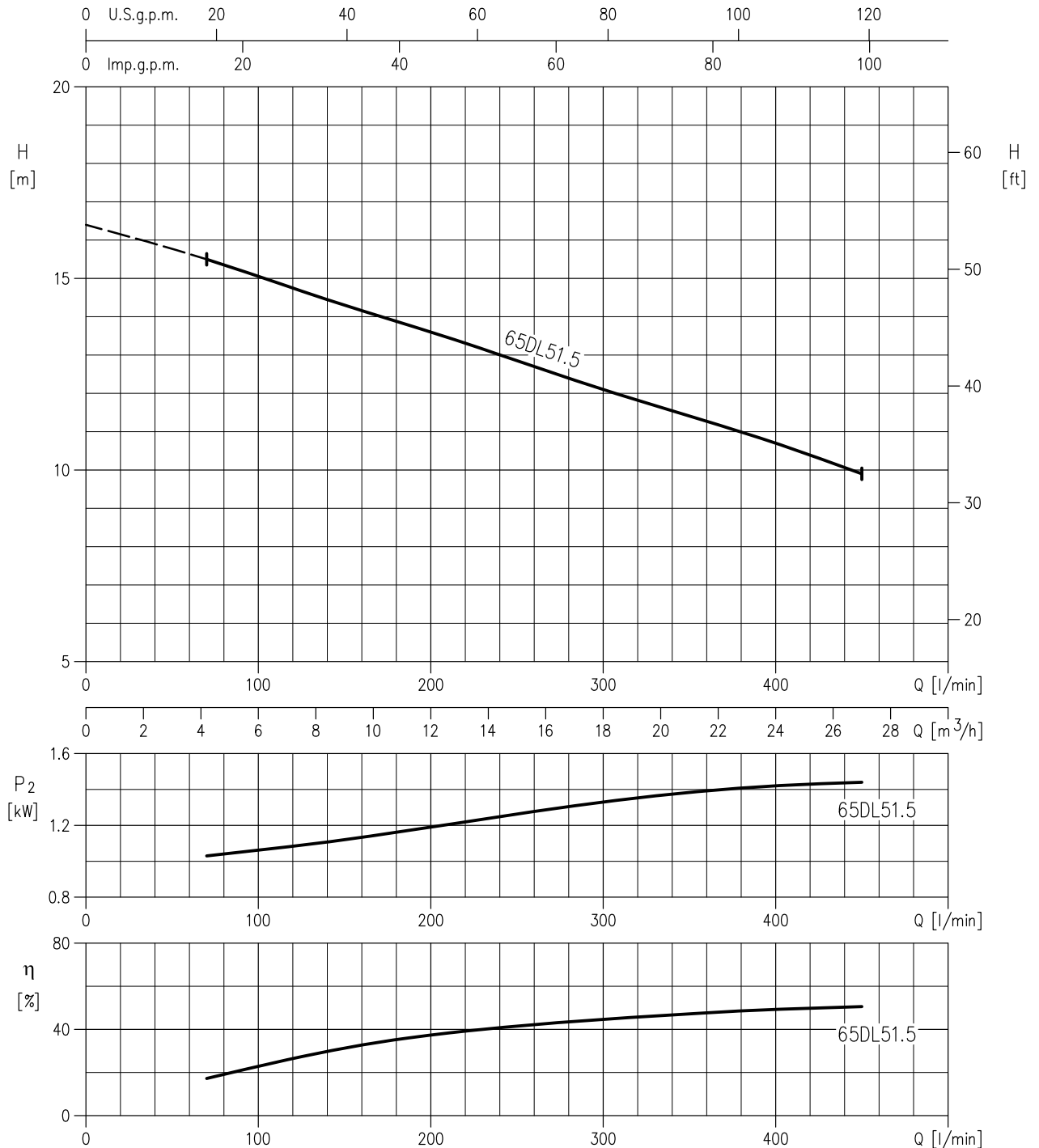
Rotation speed  $\approx 2850 \text{ min}^{-1}$   
 Test standard: ISO 9906 – Annex A

**(80)65DVS51.5 (1.5 kW)**  
**(80)65DVS52.2 (2.2 kW)**  
**(80)65DVS53.7 (3.7 kW)**



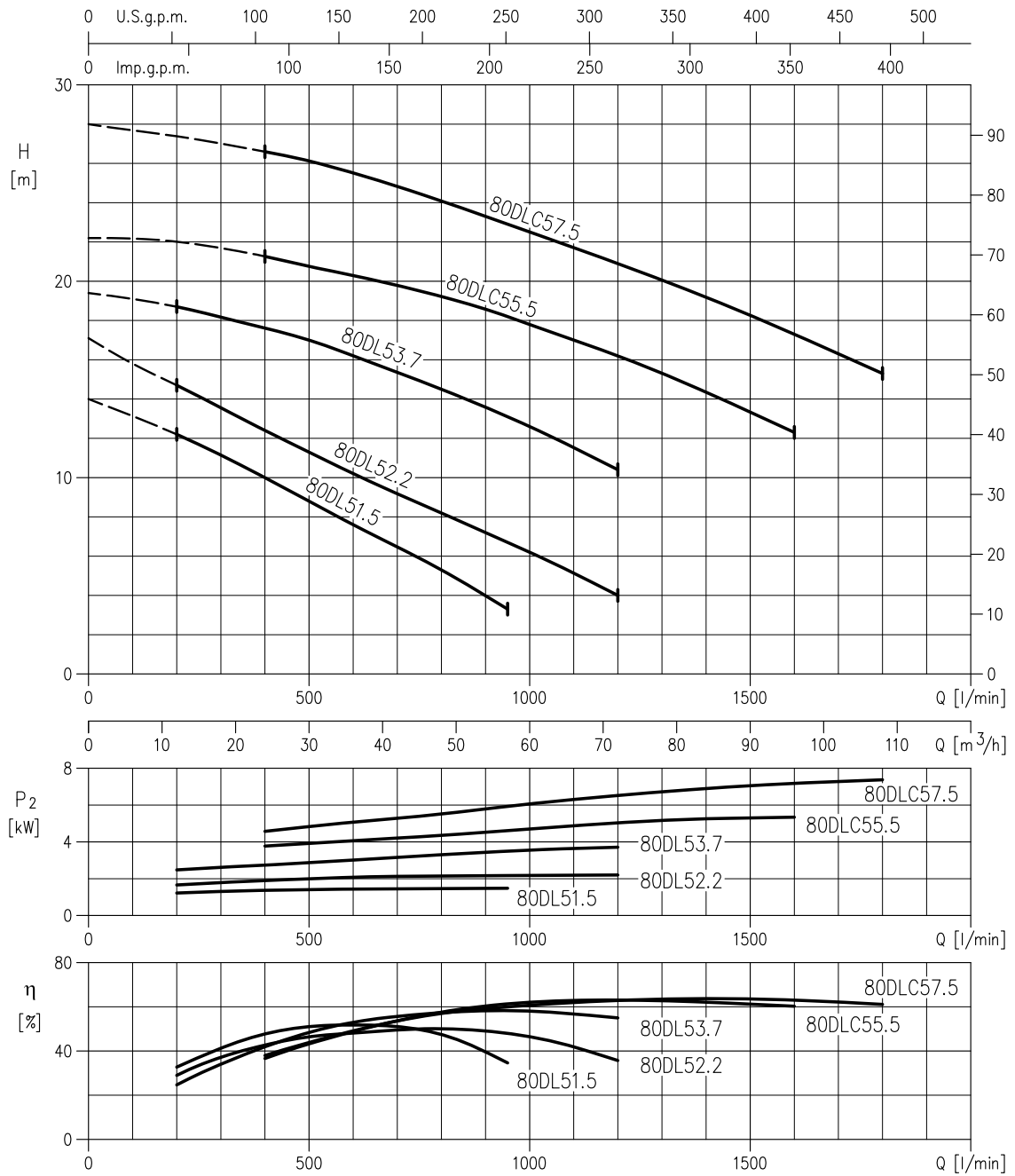
Rotation speed  $\approx 2850 \text{ min}^{-1}$   
 Test standard: ISO 9906 – Annex A

**65DL51.5 (1.5 kW)**



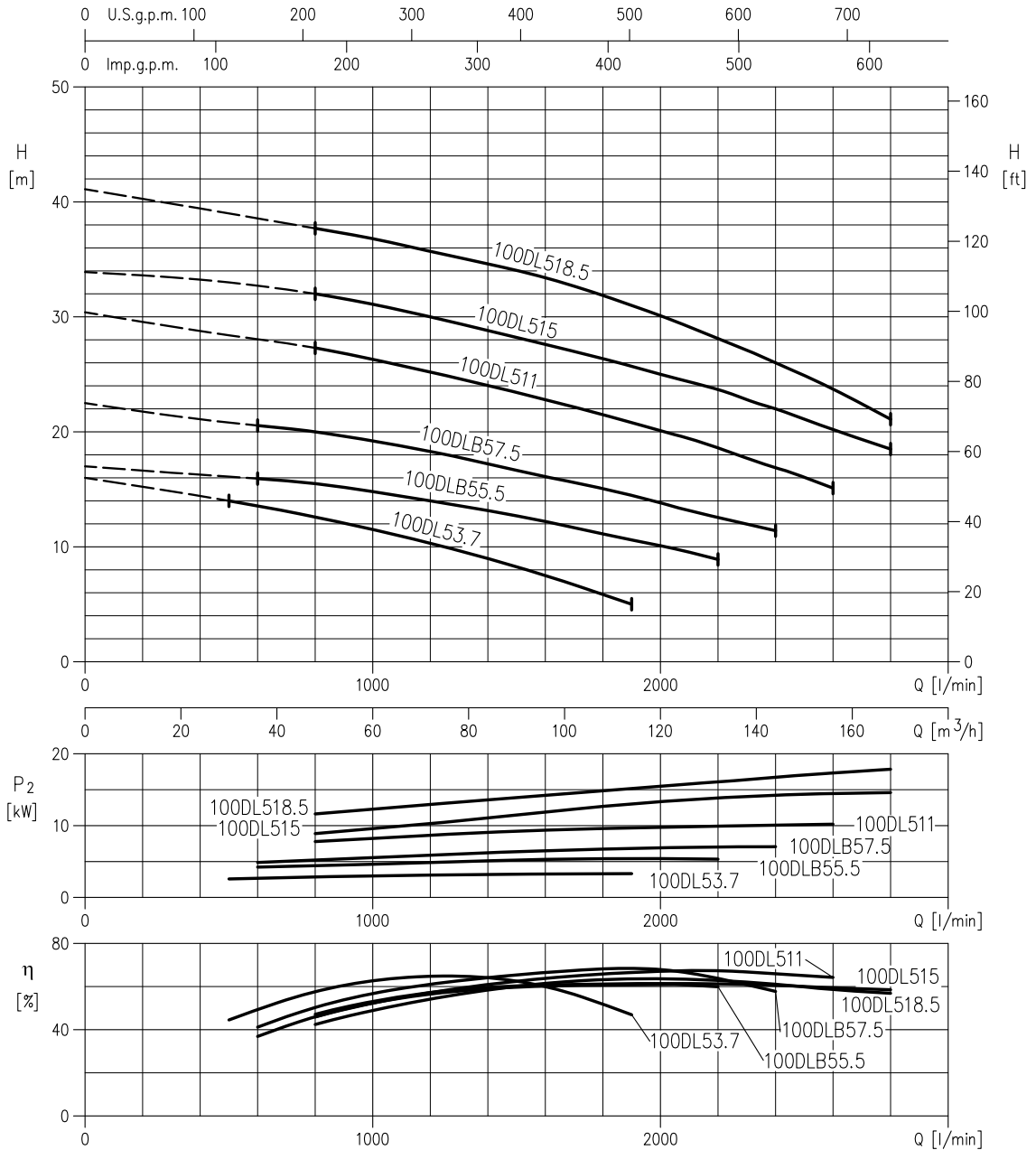
Rotation speed  $\approx 1450 \text{ min}^{-1}$   
 Test standard: ISO 9906 – Annex A

80DL51.5 (1.5 kW)  
 80DL52.2 (2.2 kW)  
 80DL53.7 (3.7 kW)  
 80DLC55.5 (5.5 kW)  
 80DLC57.5 (7.5 kW)



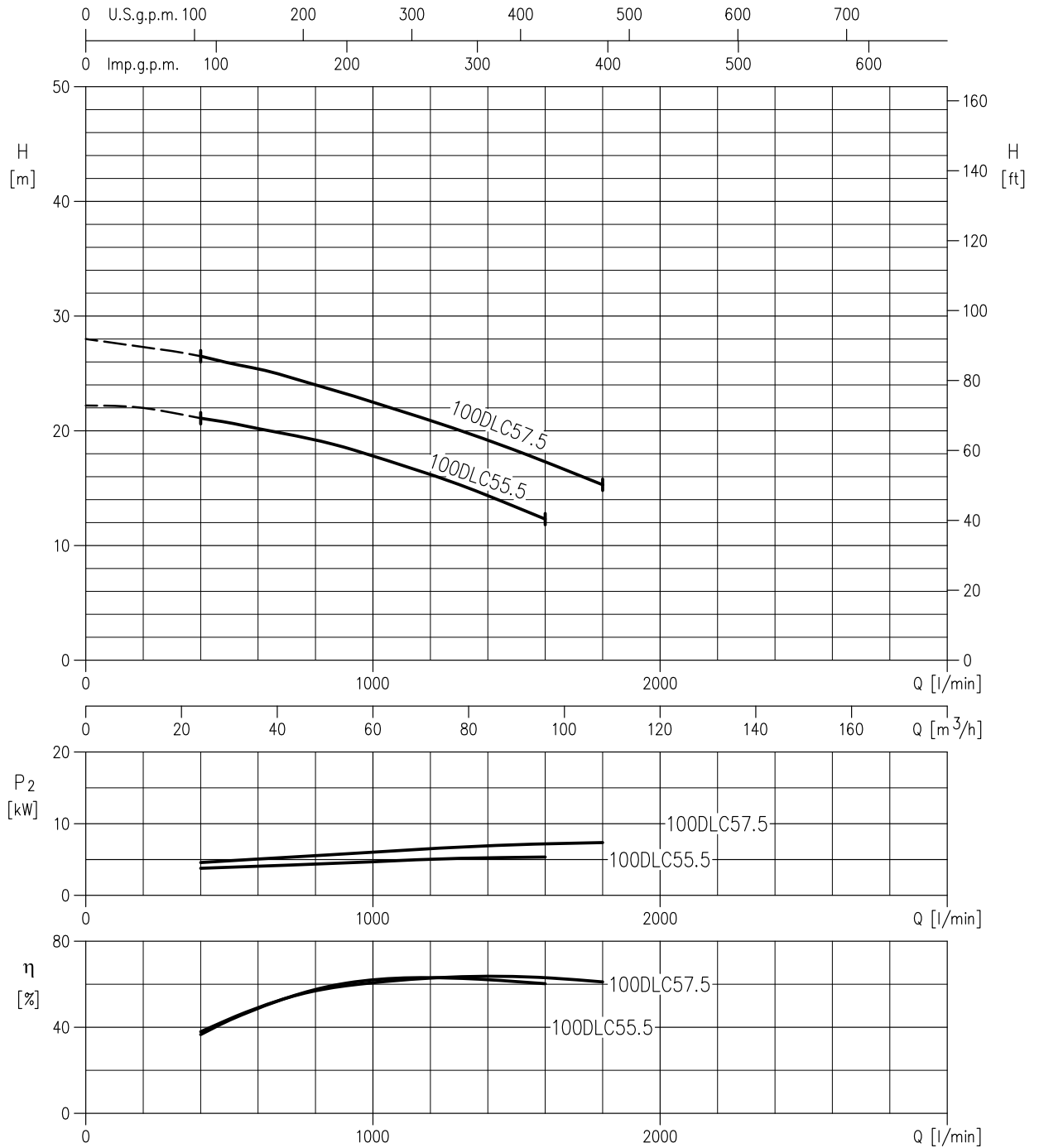
Rotation speed  $\approx 1450 \text{ min}^{-1}$   
 Test standard: ISO 9906 – Annex A

**100DL53.7 (3.7 kW)**  
**100DLB55.5 (5.5 kW)**  
**100DLB57.5 (7.5 kW)**  
**100DL511 (11 kW)**  
**100DL515 (15 kW)**  
**100DL518.5 (18.5 kW)**



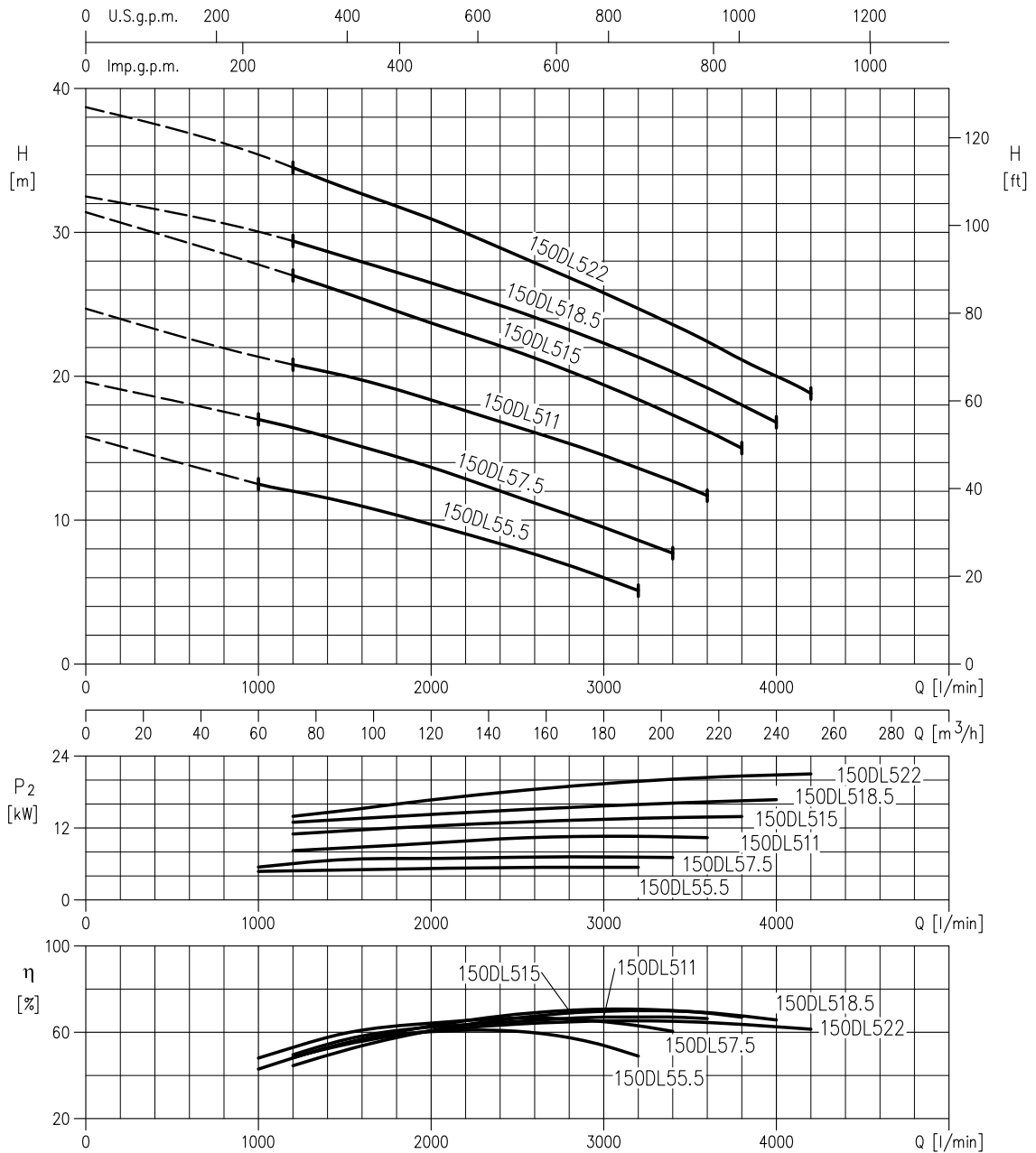
Rotation speed  $\approx 1450 \text{ min}^{-1}$   
 Test standard: ISO 9906 – Annex A

**100DLC55.5 (5.5 kW)**  
**100DLC57.5 (7.5 kW)**



Rotation speed  $\approx 1450 \text{ min}^{-1}$   
 Test standard: ISO 9906 – Annex A

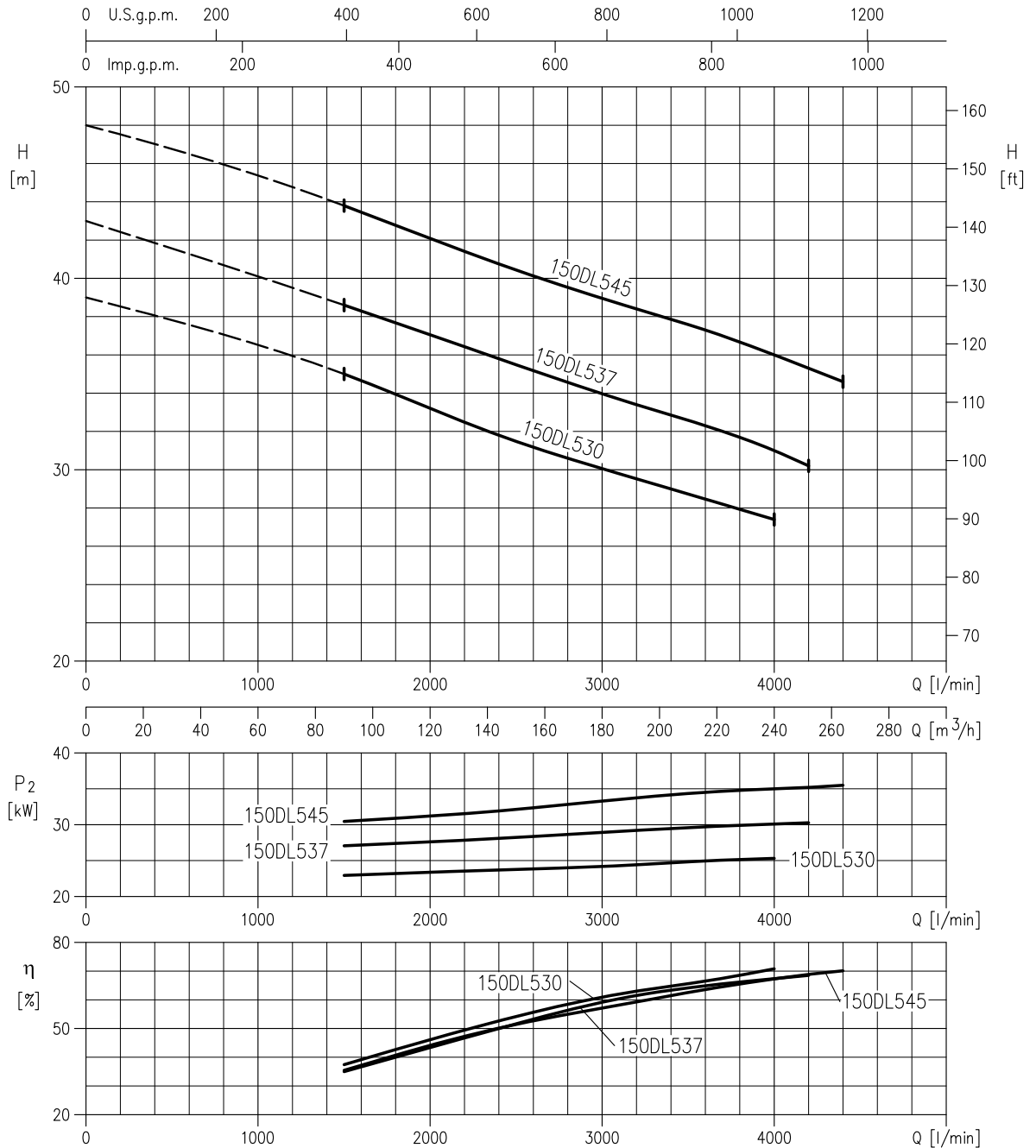
**150DL55.5 (5.5 kW)**  
**150DL57.5 (7.5 kW)**  
**150DL511 (11 kW)**  
**150DL515 (15 kW)**  
**150DL518.5 (18.5 kW)**  
**150DL522 (22 kW)**



Rotation speed  $\approx 1450 \text{ min}^{-1}$   
 Test standard: ISO 9906 – Annex A

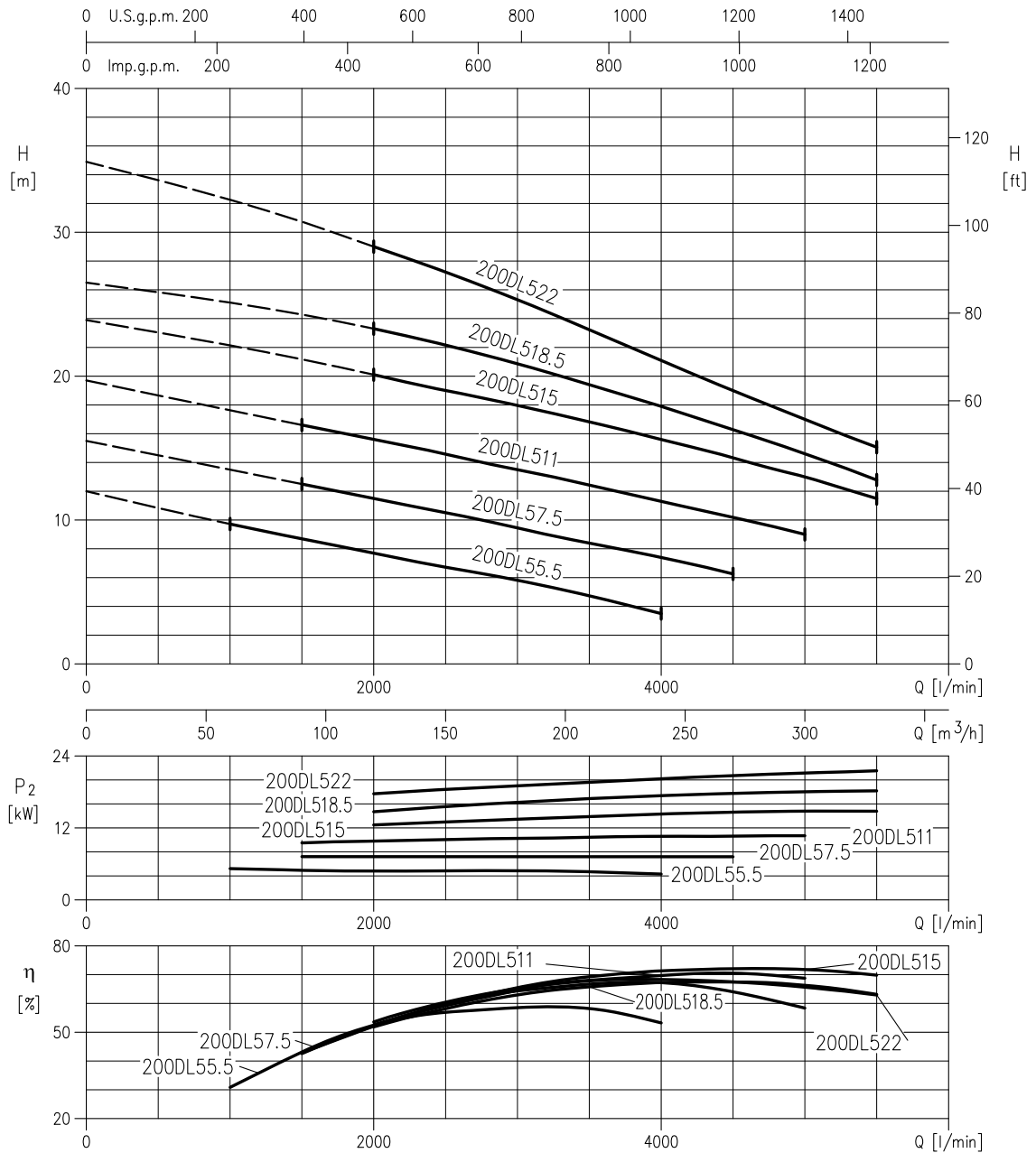


**150DL530 (30 kW)  
150DL537 (37 kW)  
150DL545 (45 kW)**



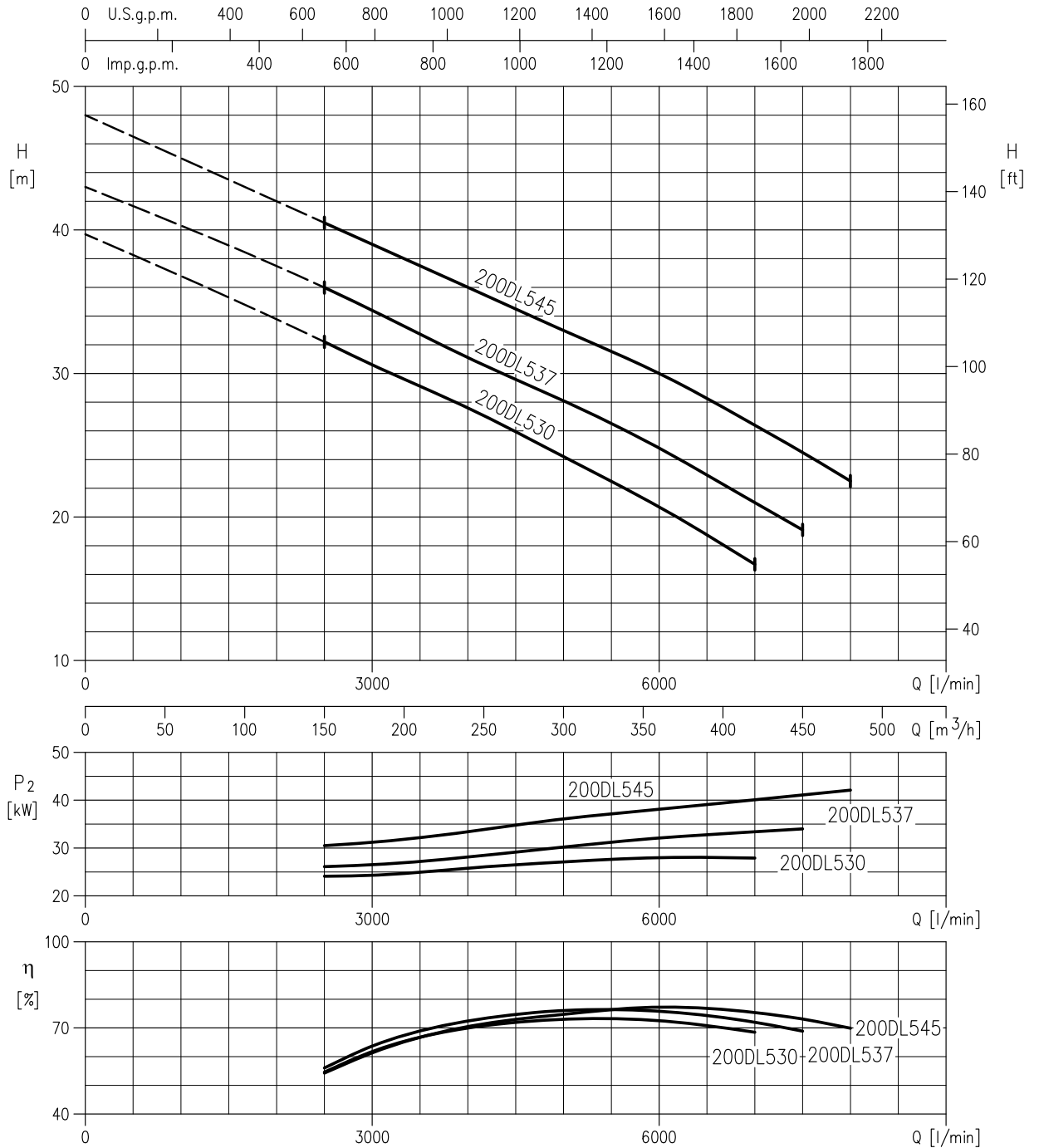
Rotation speed  $\approx 1450 \text{ min}^{-1}$   
Test standard: ISO 9906 – Annex A

200DL55.5 (5.5 kW)  
 200DL57.5 (7.5 kW)  
 200DL511 (11 kW)  
 200DL515 (15 kW)  
 200DL518.5 (18.5 kW)  
 200DL522 (22 kW)



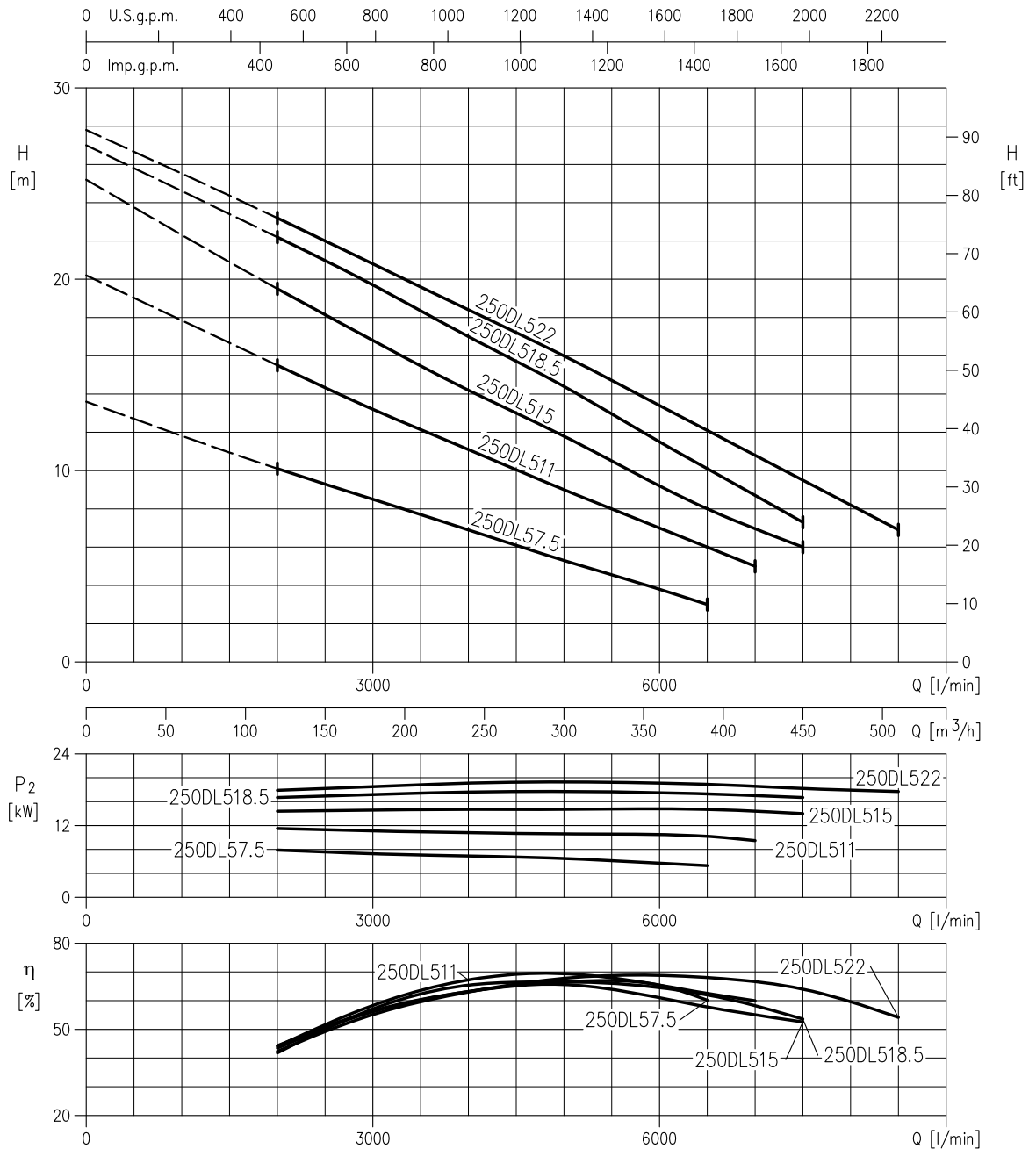
Rotation speed  $\approx 1450 \text{ min}^{-1}$   
 Test standard: ISO 9906 – Annex A

**200DL530 (30 kW)  
200DL537 (37 kW)  
200DL545 (45 kW)**



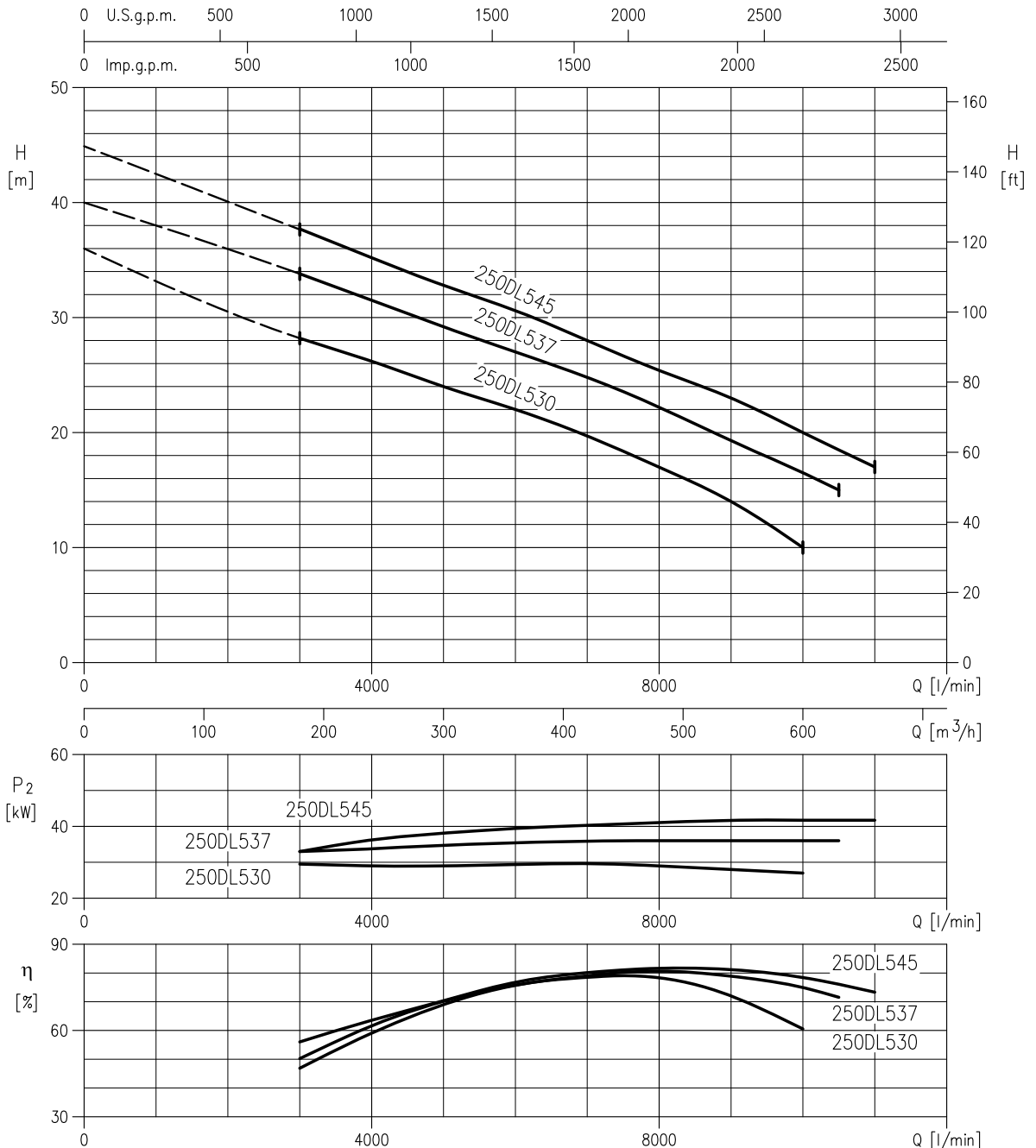
Rotation speed  $\approx 1450 \text{ min}^{-1}$   
Test standard: ISO 9906 – Annex A

250DL57.5 (7.5 kW)  
 250DL511 (11 kW)  
 250DL515 (15 kW)  
 250DL518.5 (18.5 kW)  
 250DL522 (22 kW)



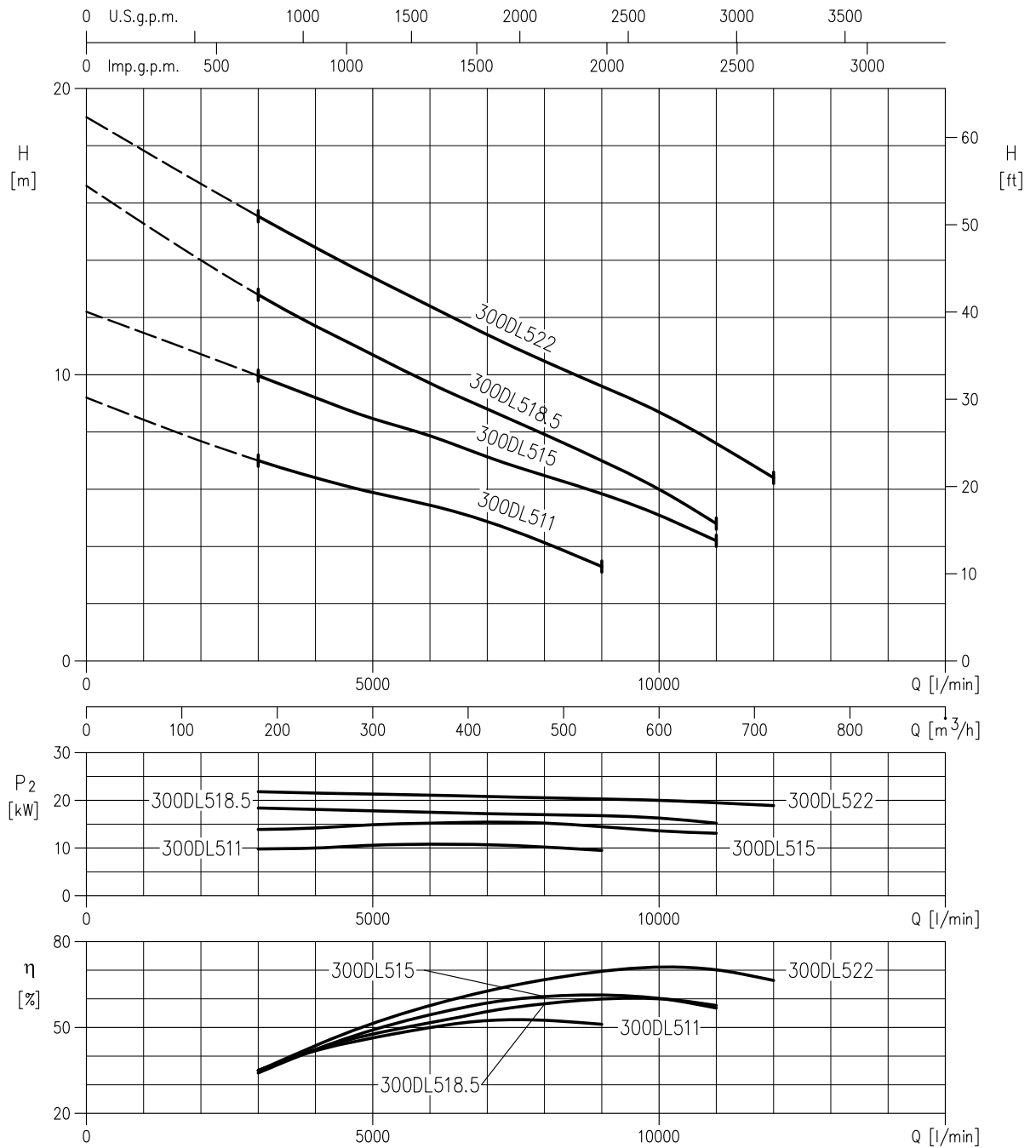
Rotation speed  $\approx 1450 \text{ min}^{-1}$   
 Test standard: ISO 9906 – Annex A

**250DL530 (30 kW)**  
**250DL537 (37 kW)**  
**250DL545 (45 kW)**



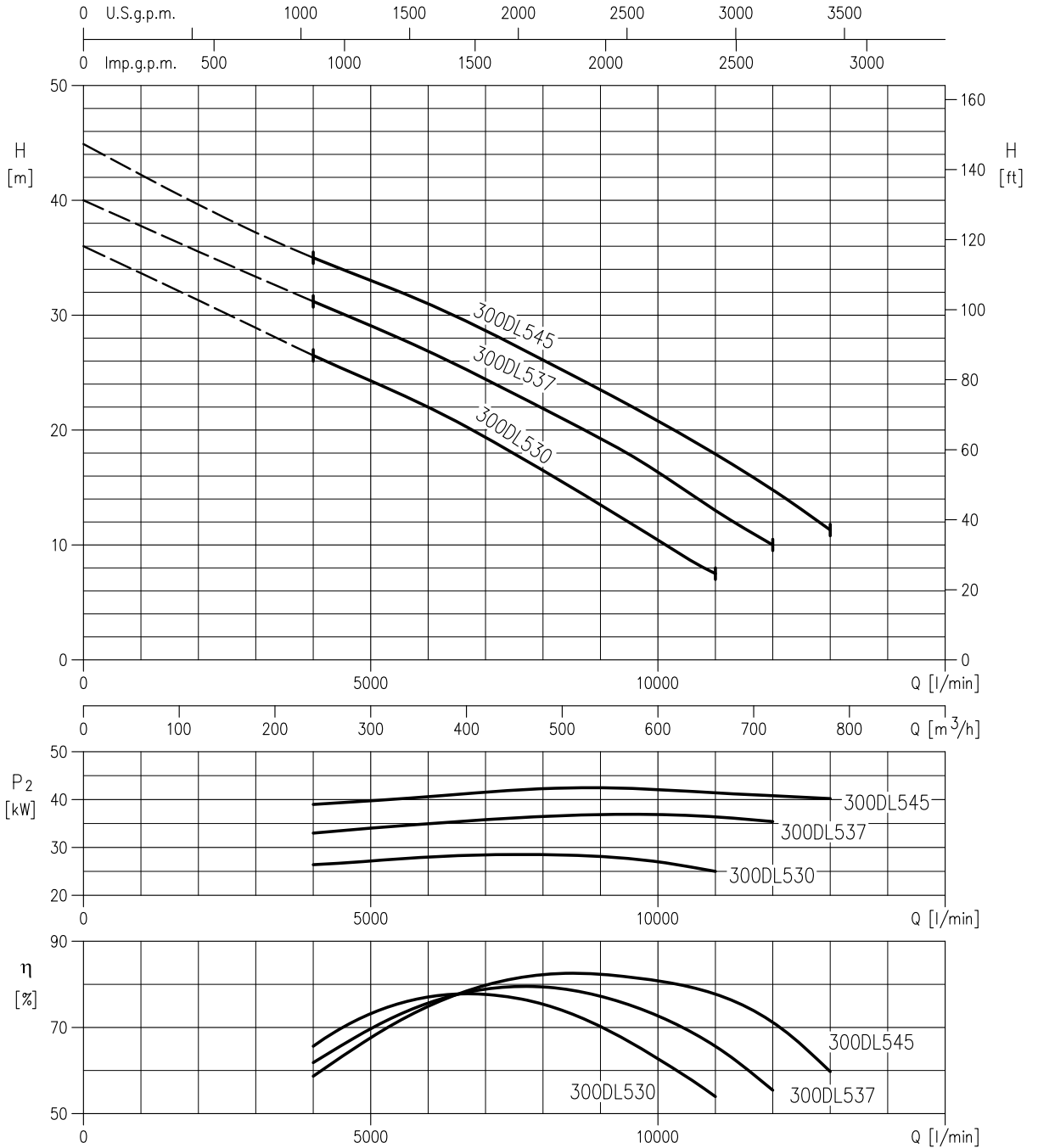
Rotation speed  $\approx 1450 \text{ min}^{-1}$   
 Test standard: ISO 9906 – Annex A

**300DL511 (11 kW)**  
**300DL515 (15 kW)**  
**300DL518.5 (18.5 kW)**  
**300DL522 (22 kW)**



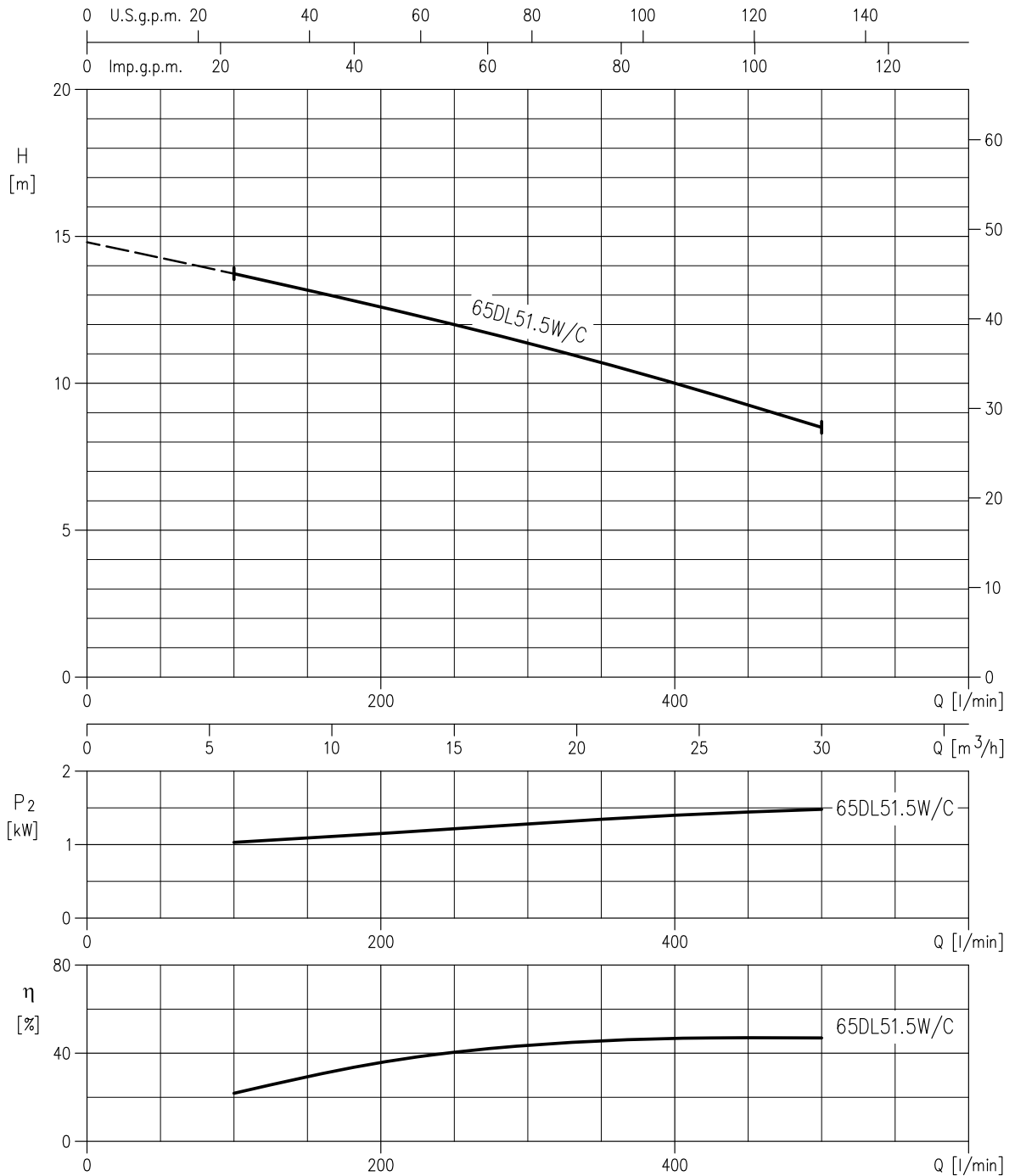
Rotation speed  $\approx 1450 \text{ min}^{-1}$   
 Test standard: ISO 9906 – Annex A

**300DL530 (30 kW)**  
**300DL537 (37 kW)**  
**300DL545 (45 kW)**



Rotation speed  $\approx 1450 \text{ min}^{-1}$   
 Test standard: ISO 9906 – Annex A

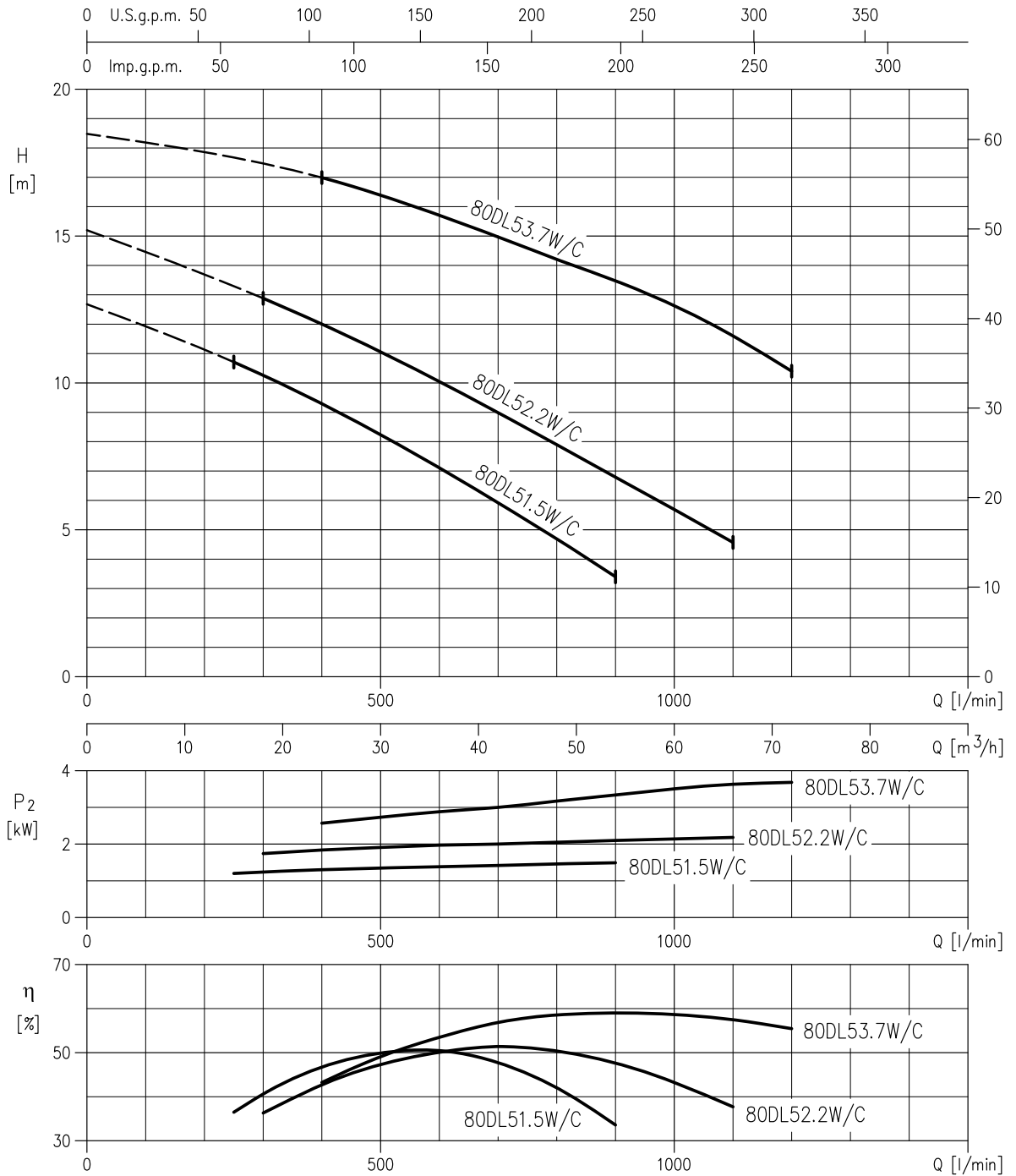
**65DL51.5W/C (1.5 kW)**



Rotation speed  $\approx 1450 \text{ min}^{-1}$   
 Test standard: ISO 9906 – Annex A

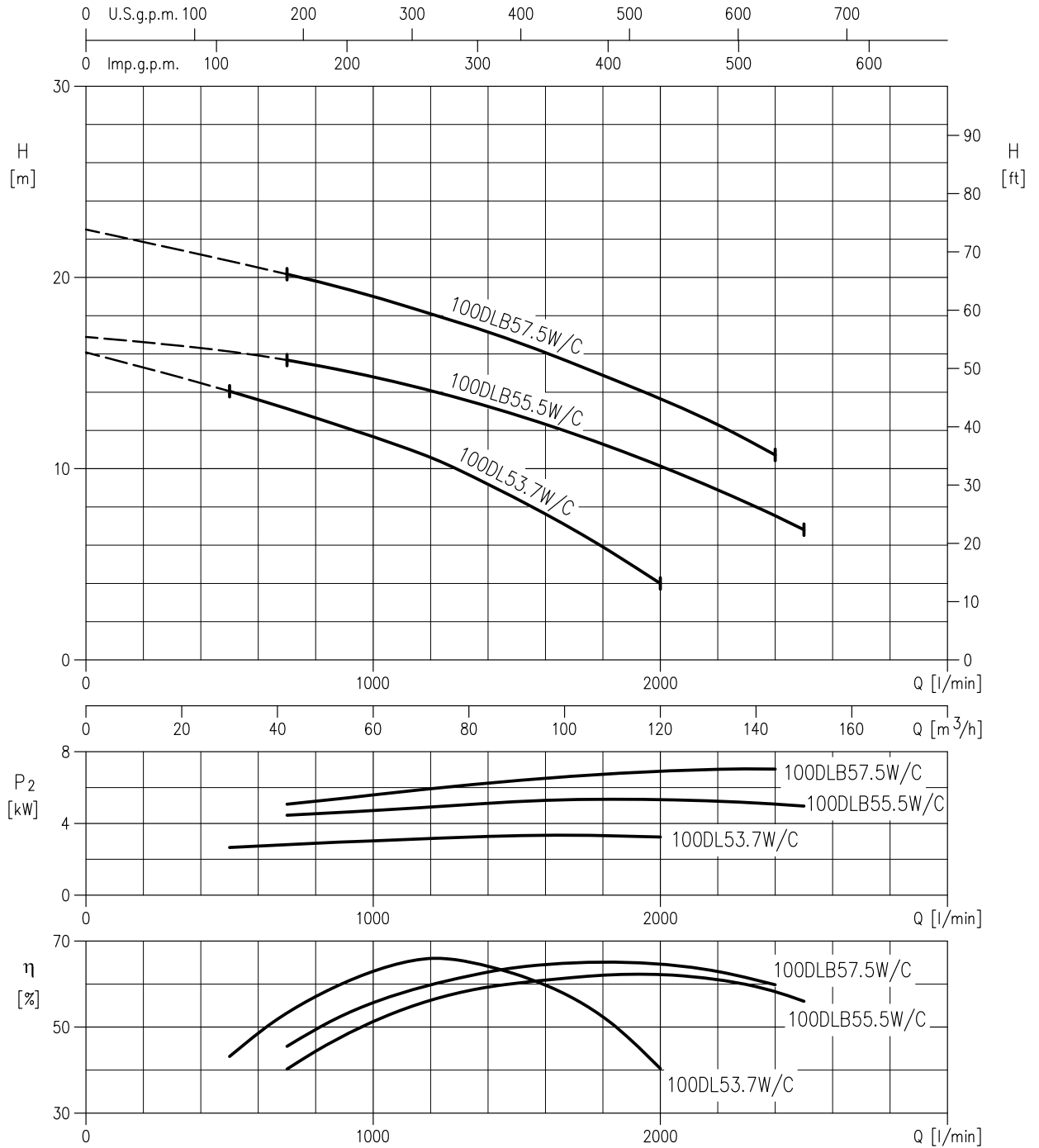


80DL51.5W/C (1.5 kW)  
 80DL52.2W/C (2.2 kW)  
 80DL53.7W/C (3.7 kW)



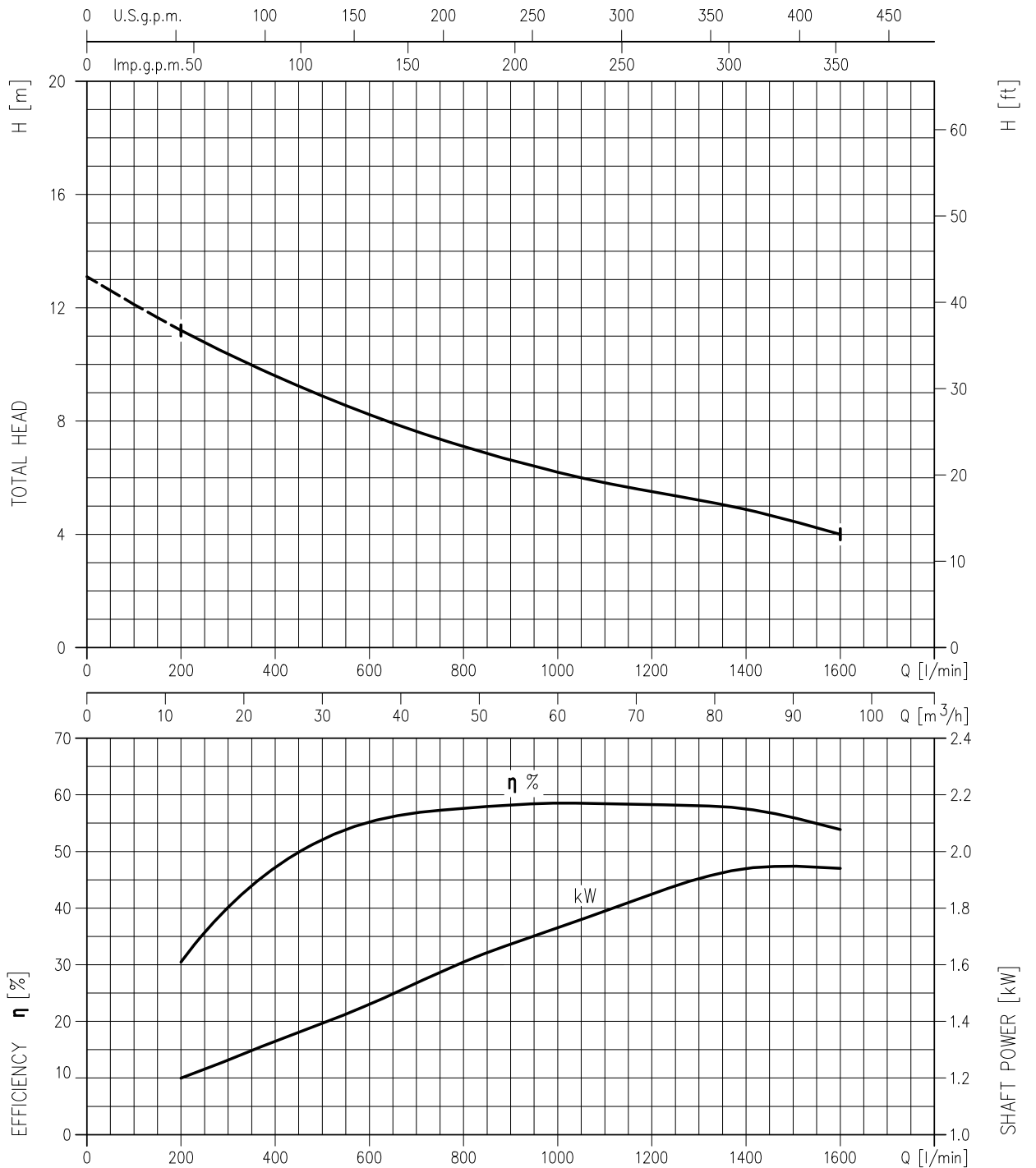
Rotation speed  $\approx 1450 \text{ min}^{-1}$   
 Test standard: ISO 9906 – Annex A

100DL53.7W/C (3.7 kW)  
 100DLB55.5W/C (5.5 kW)  
 100DLB57.5W/C (7.5 kW)



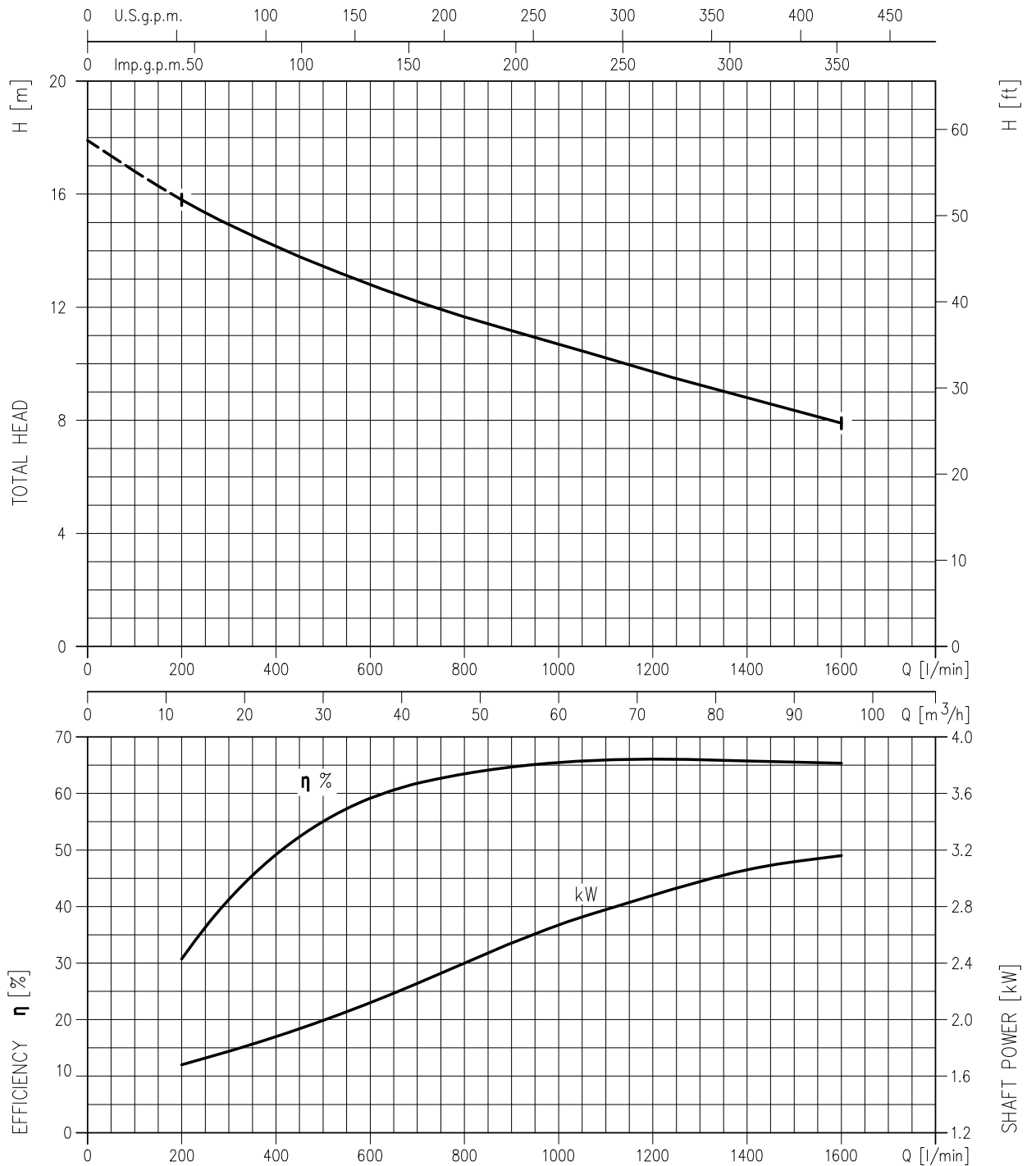
Rotation speed ≈ 1450 min<sup>-1</sup>  
 Test standard: ISO 9906 – Annex A

**80DML52.2 (2.2 kW)**



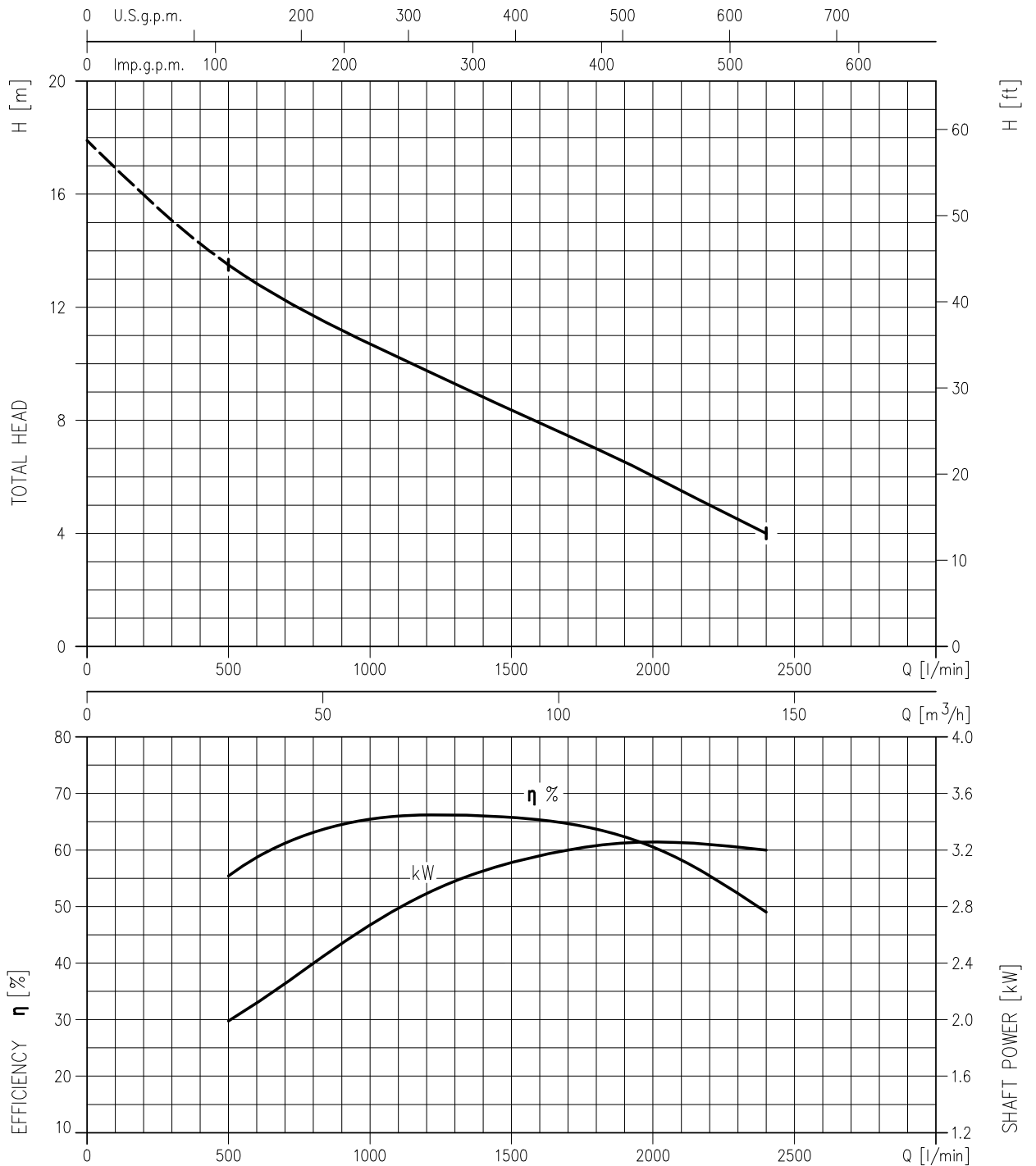
Rotation speed  $\approx 1450 \text{ min}^{-1}$   
 Test standard: ISO 9906 – Annex A

**80DML53.7 (3.7 kW)**



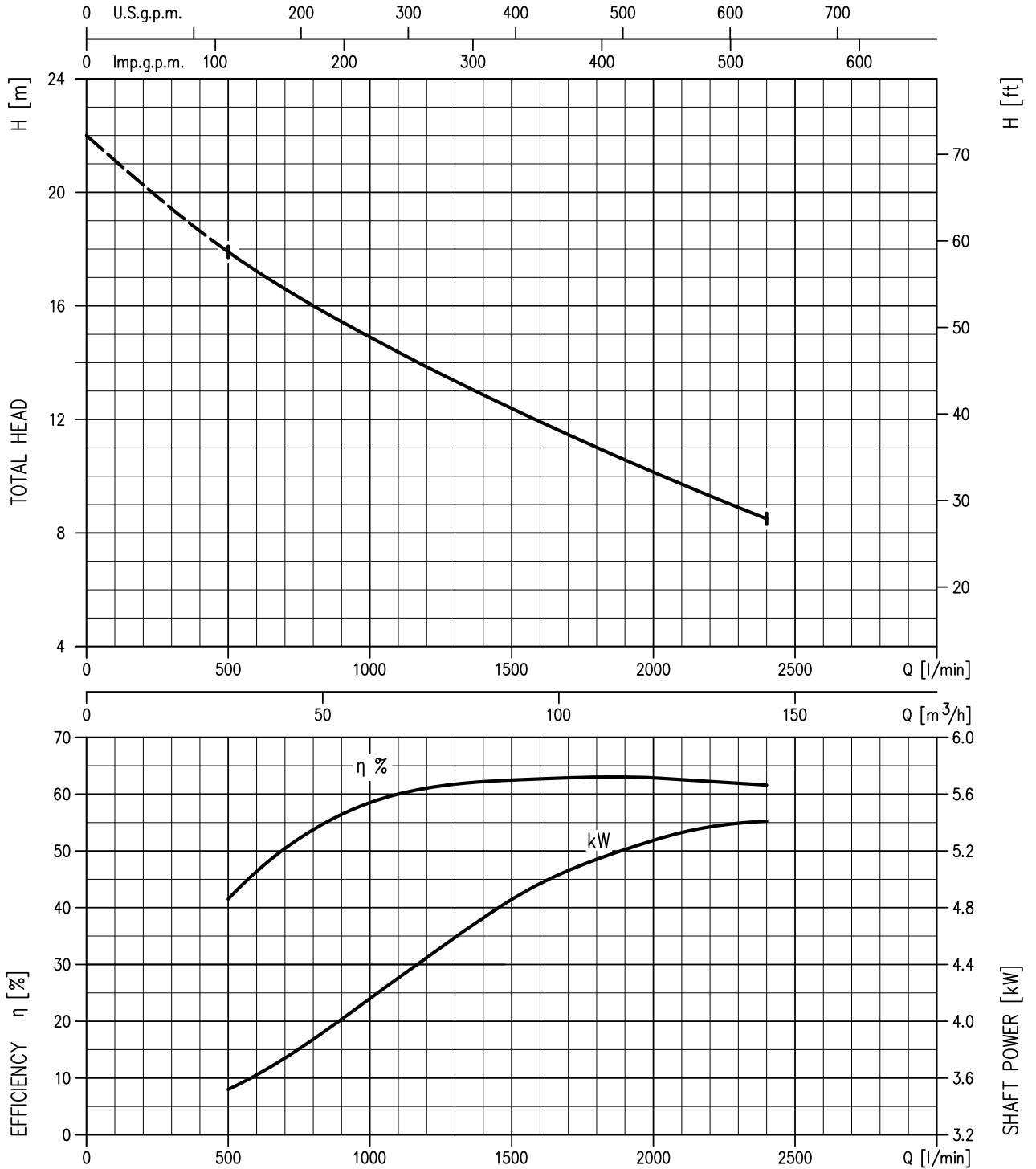
Rotation speed  $\approx 1450 \text{ min}^{-1}$   
 Test standard: ISO 9906 – Annex A

**100DML53.7 (3.7 kW)**



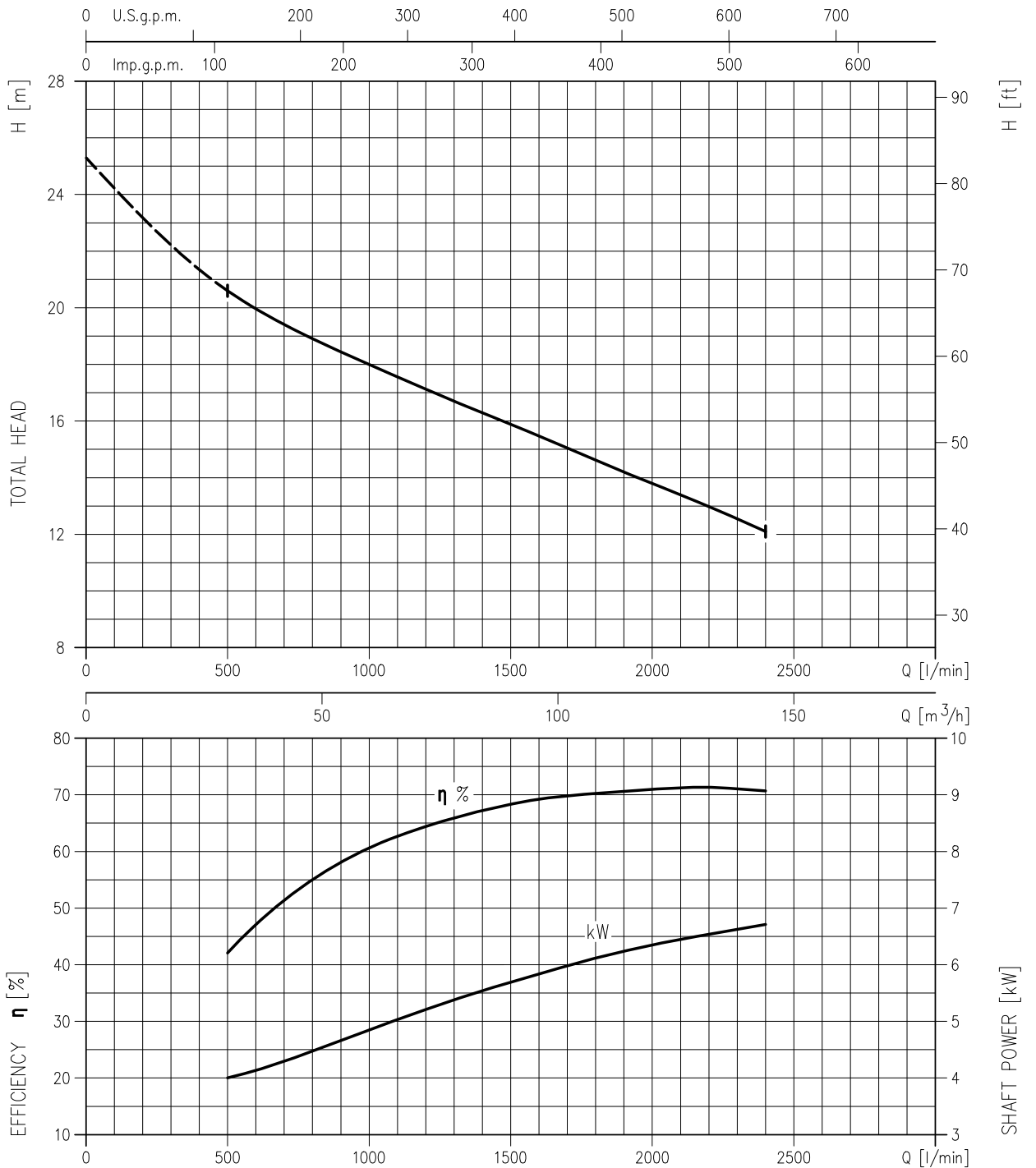
Rotation speed  $\approx 1450 \text{ min}^{-1}$   
 Test standard: ISO 9906 – Annex A

**100DML55.5 (5.5 kW)**



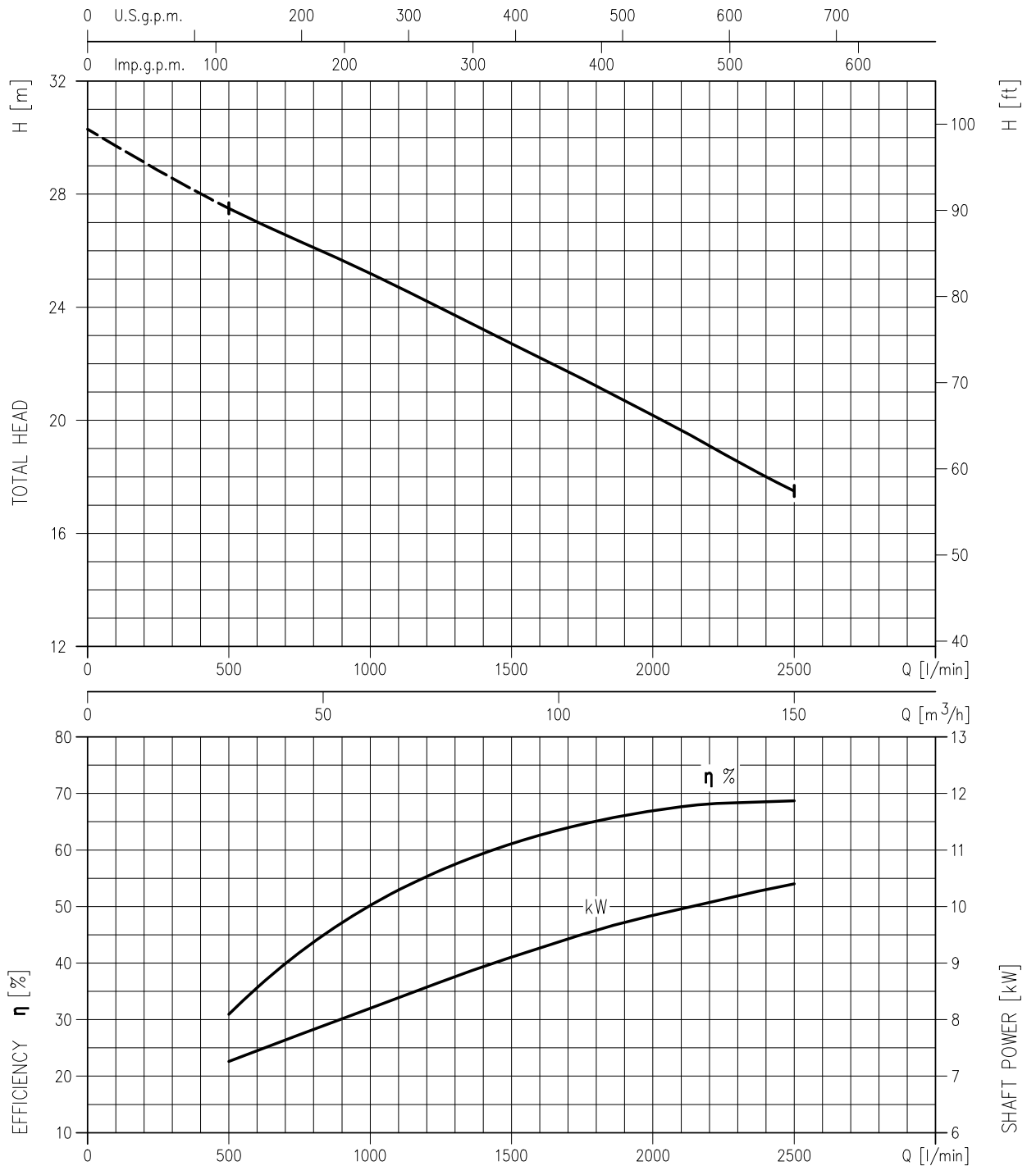
Rotation speed  $\approx 1450 \text{ min}^{-1}$   
 Test standard: ISO 9906 – Annex A

**100DML57.5 (7.5 kW)**



Rotation speed  $\approx 1450 \text{ min}^{-1}$   
 Test standard: ISO 9906 – Annex A

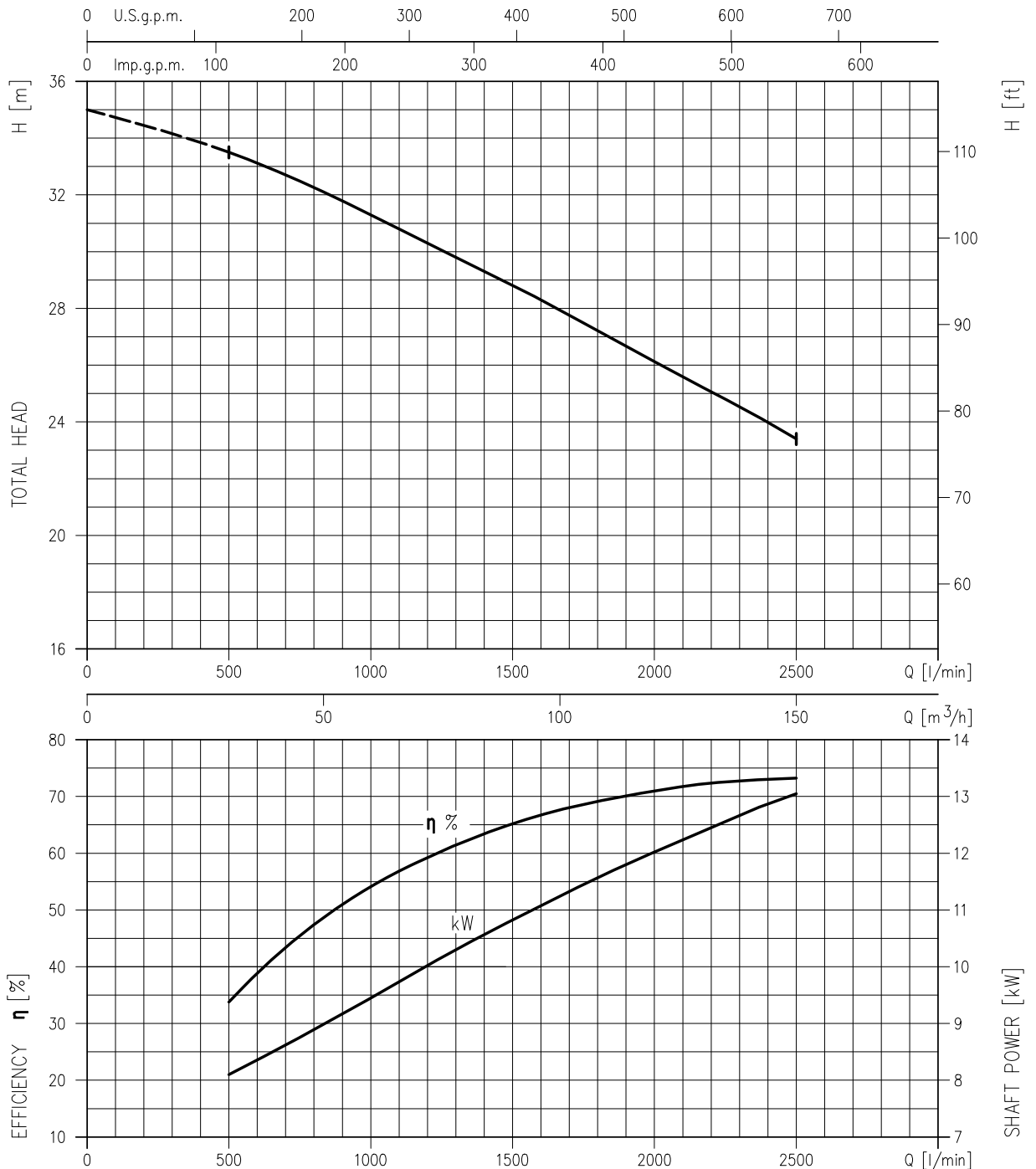
**100DML511 (11 kW)**



Rotation speed  $\approx 1450 \text{ min}^{-1}$   
 Test standard: ISO 9906 – Annex A

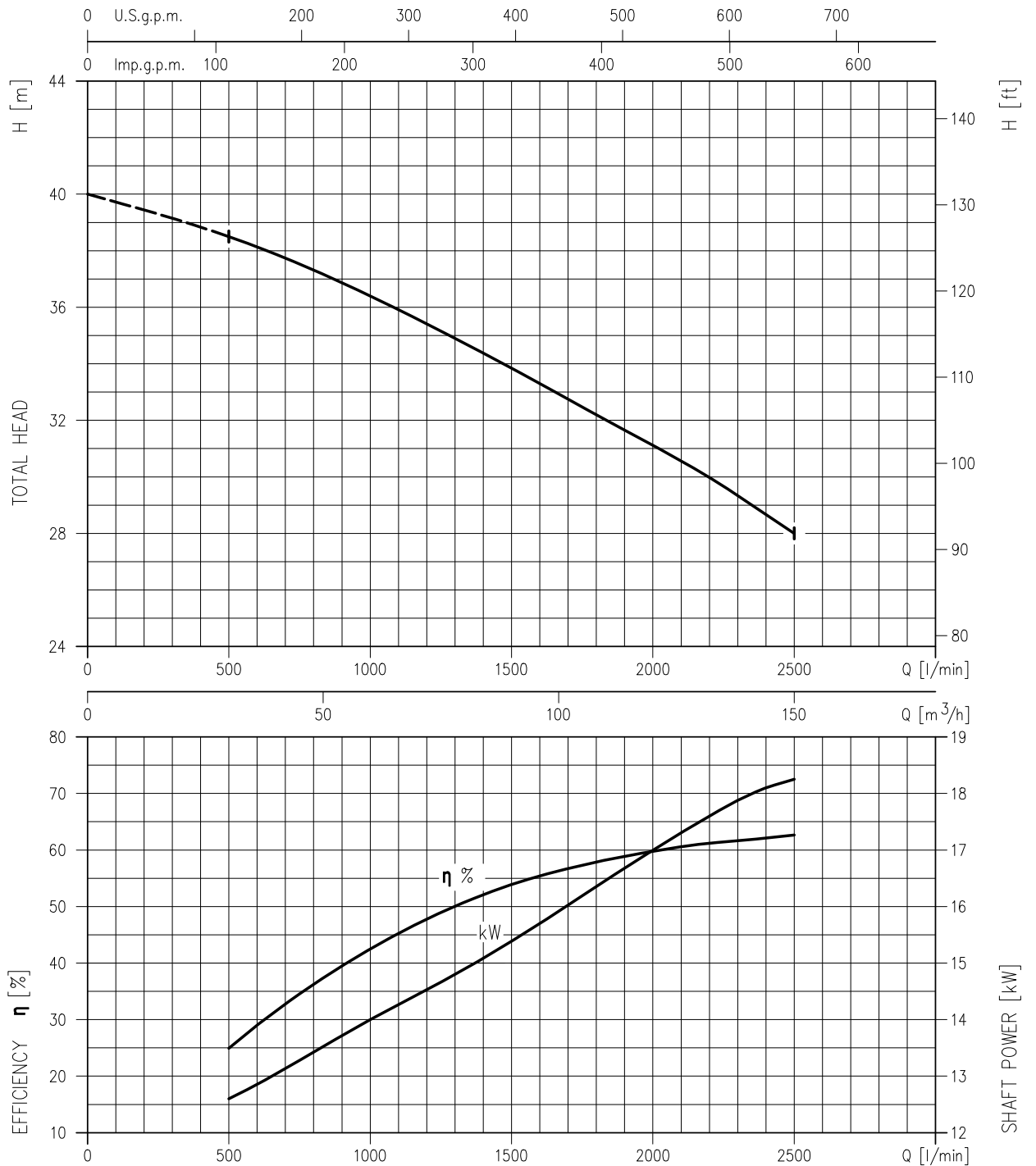


**100DML515 (15 kW)**



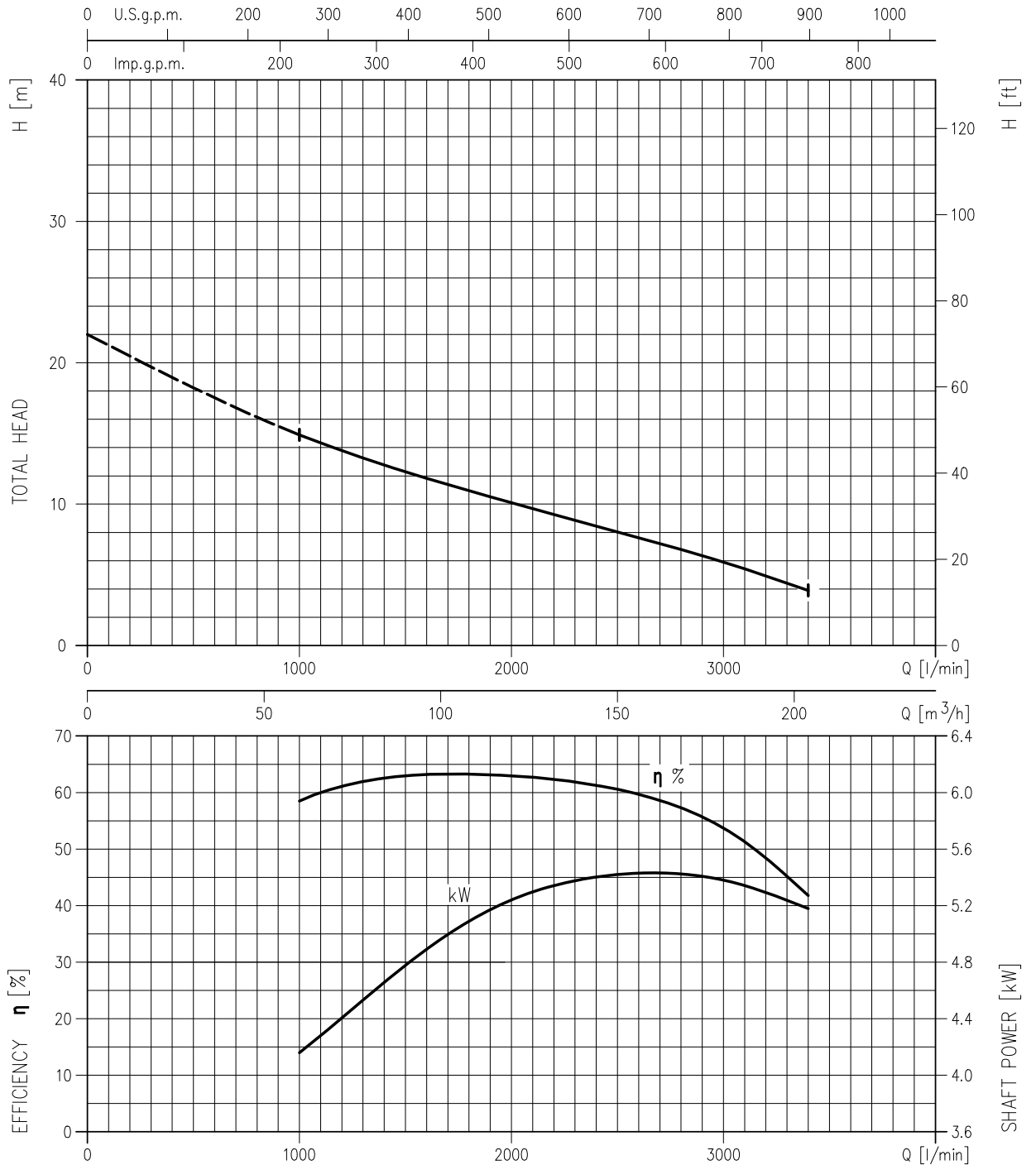
Rotation speed  $\approx 1450 \text{ min}^{-1}$   
 Test standard: ISO 9906 – Annex A

**100DML522 (22 kW)**



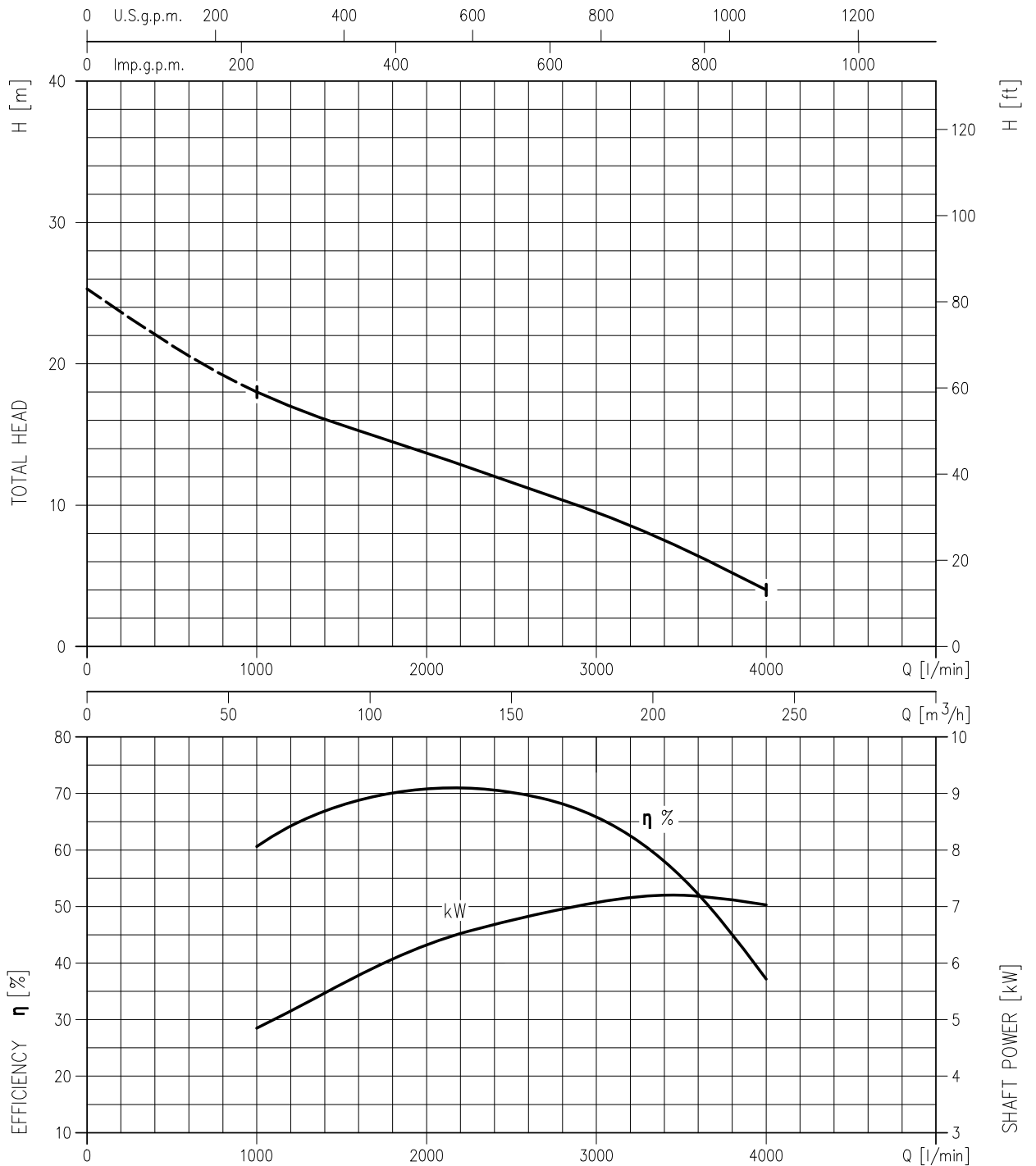
Rotation speed  $\approx 1450 \text{ min}^{-1}$   
 Test standard: ISO 9906 – Annex A

150DML55.5 (5.5 kW)



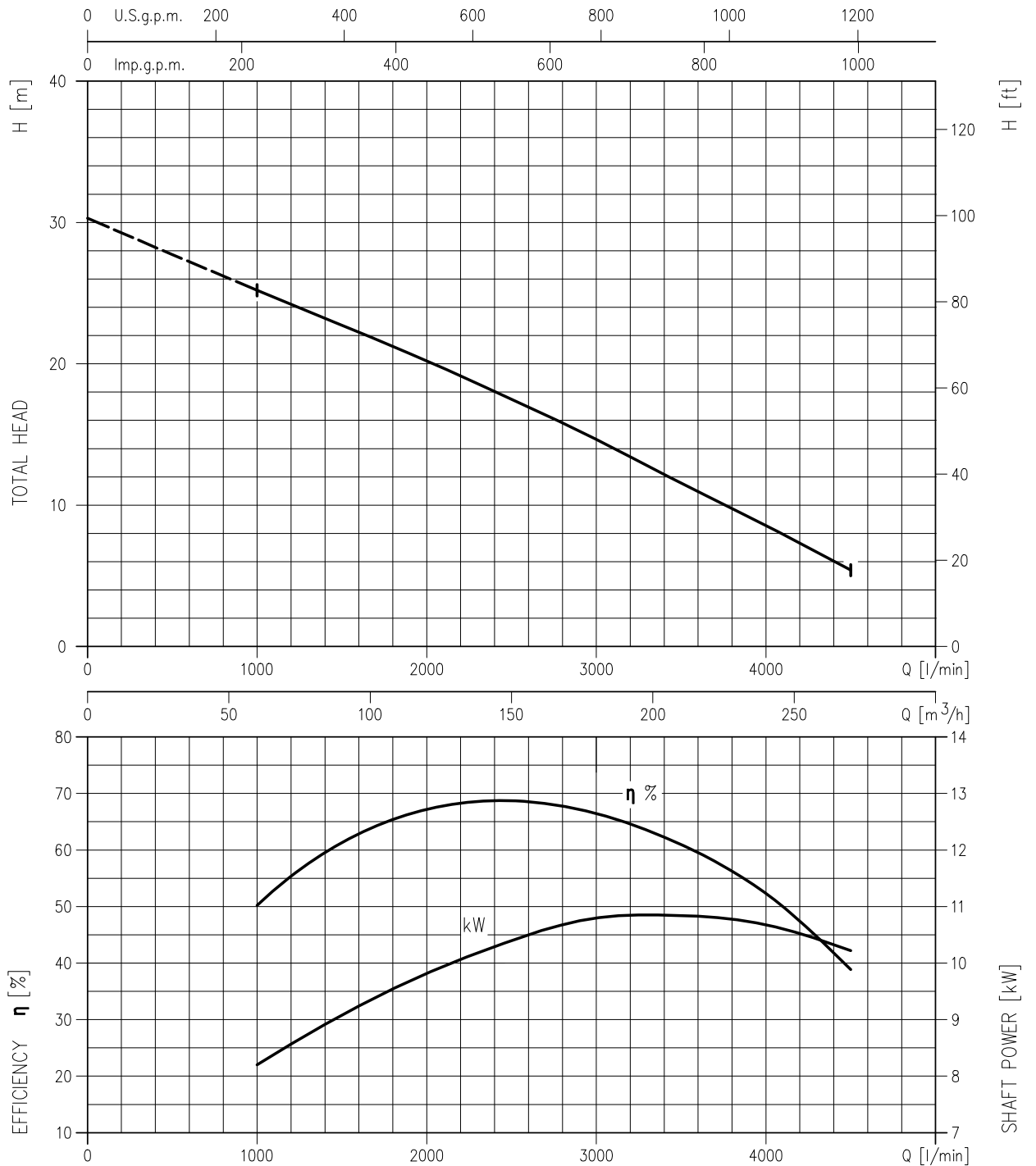
Rotation speed  $\approx 1450 \text{ min}^{-1}$   
 Test standard: ISO 9906 – Annex A

**150DML57.5 (7.5 kW)**



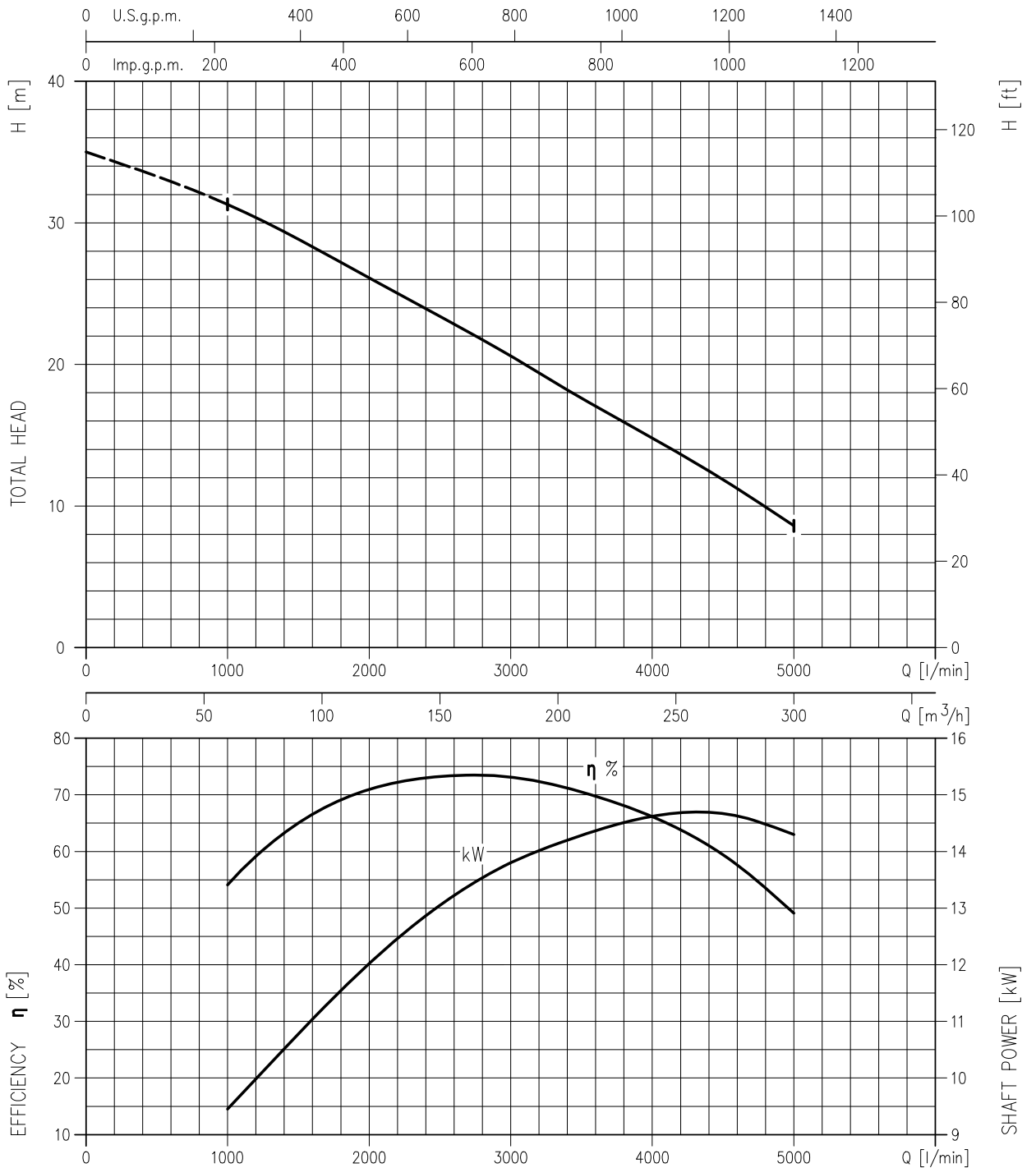
Rotation speed  $\approx 1450 \text{ min}^{-1}$   
 Test standard: ISO 9906 – Annex A

**150DML511 (11 kW)**



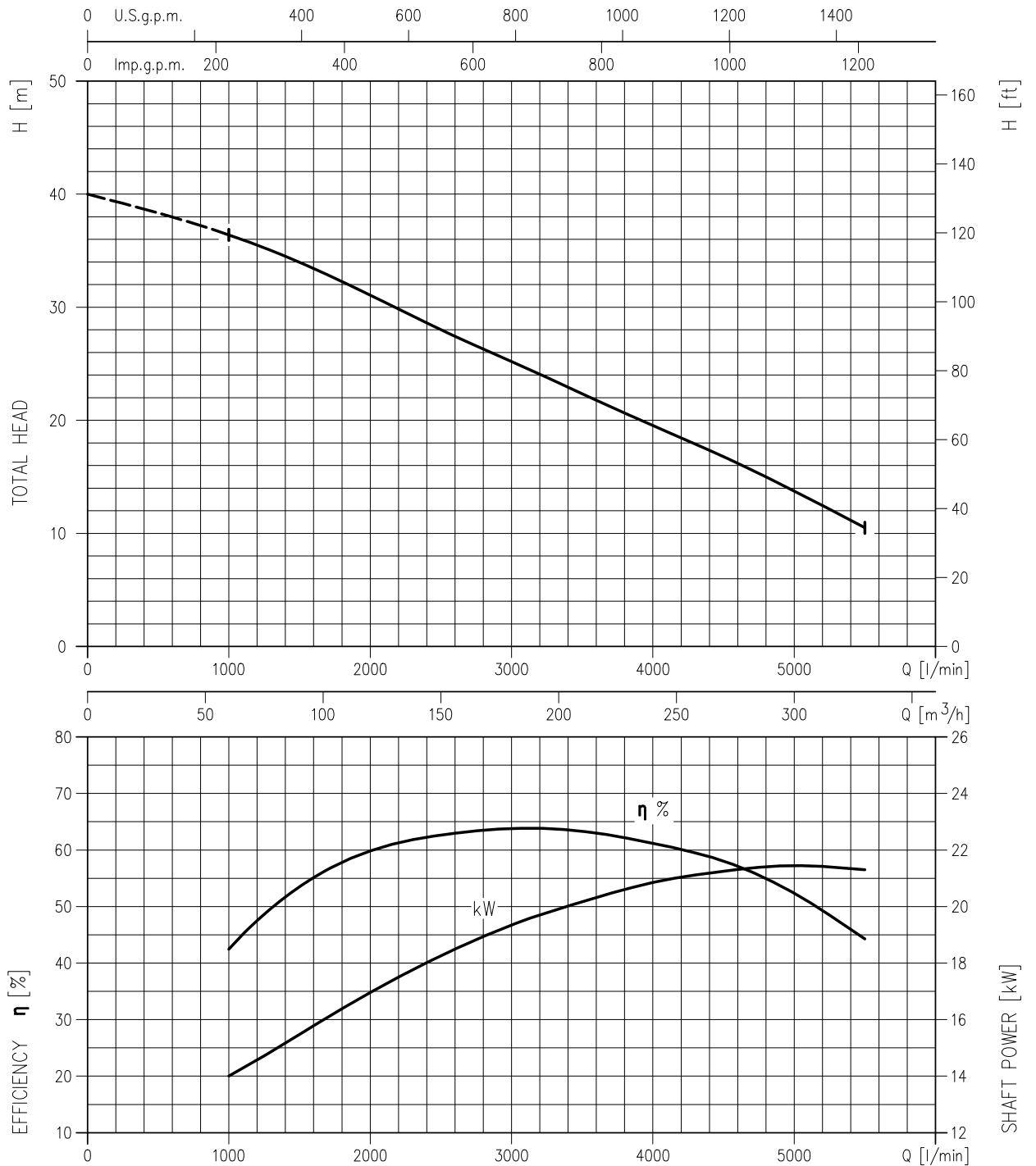
Rotation speed  $\approx 1450 \text{ min}^{-1}$   
 Test standard: ISO 9906 – Annex A

**150DML515 (15 kW)**



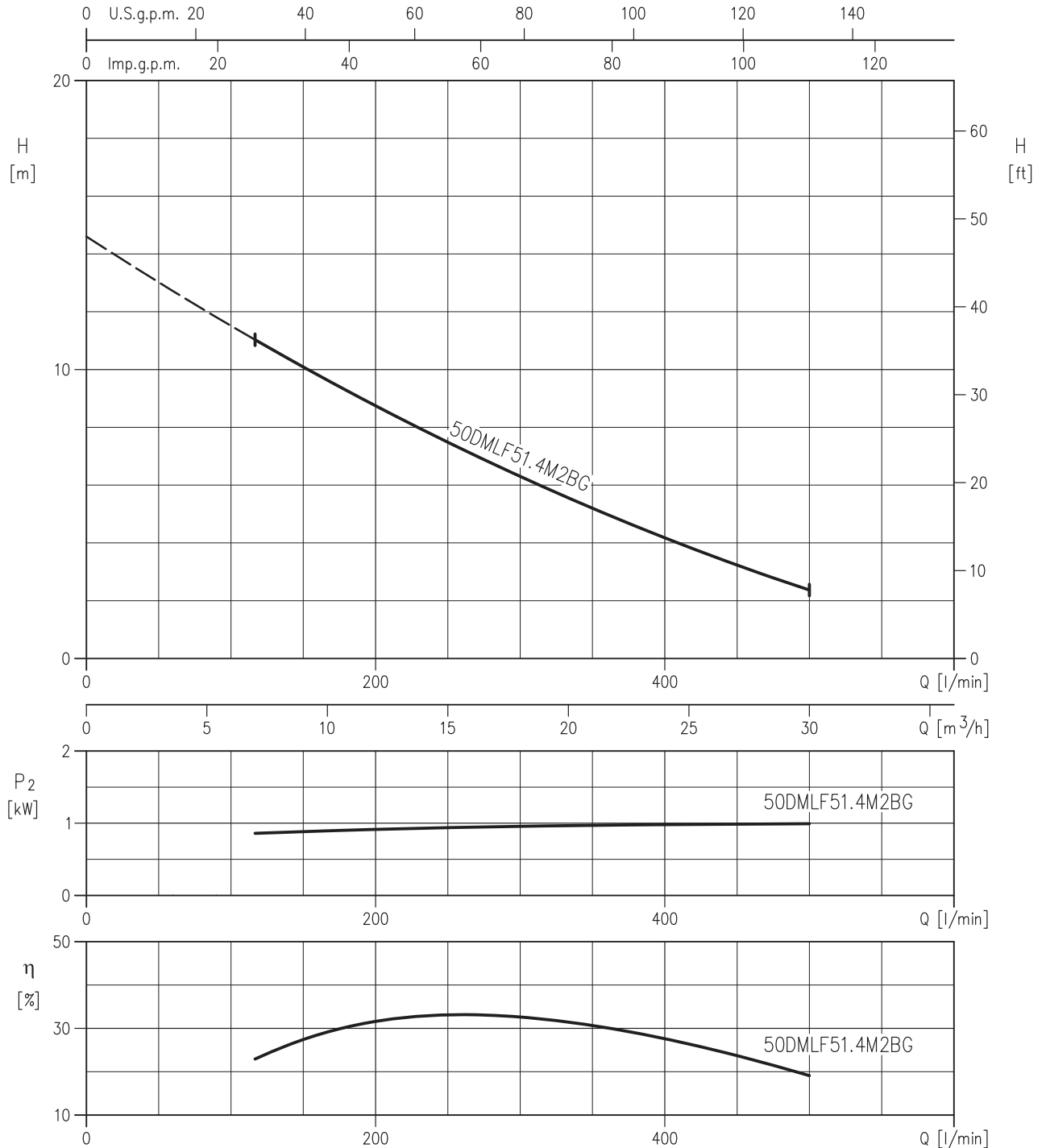
Rotation speed  $\approx 1450 \text{ min}^{-1}$   
 Test standard: ISO 9906 – Annex A

**150DML522 (22 kW)**



Rotation speed  $\approx 1450 \text{ min}^{-1}$   
 Test standard: ISO 9906 – Annex A

**50DMLF51.4M2BG (1.4 kW)**



Rotation speed  $\approx 2850 \text{ min}^{-1}$   
 Test standard: ISO 9906 – Annex A

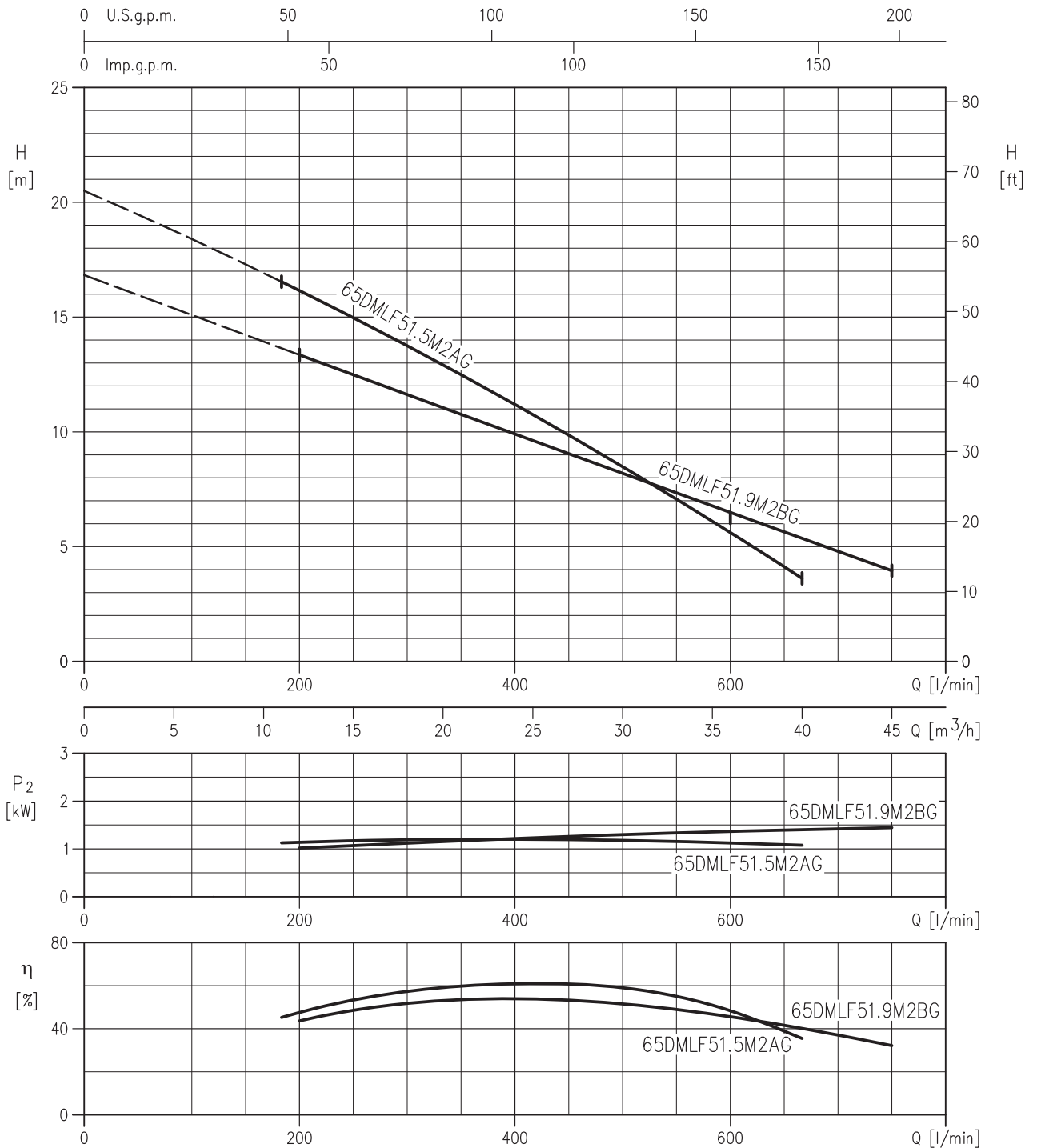


PERFORMANCE CURVE

50 Hz

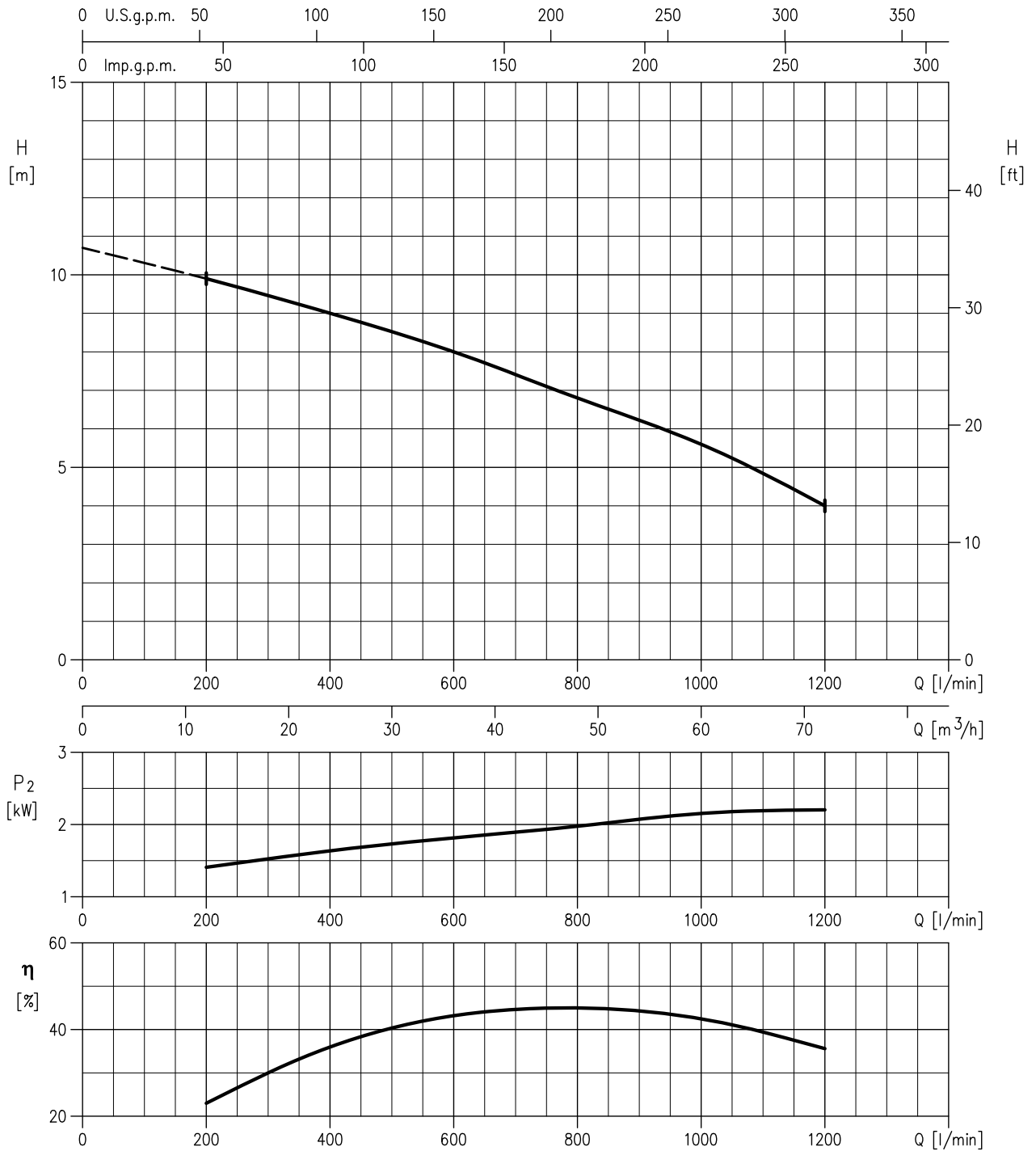
Rev. E

**65DMLF51.5M2AG (1.5 kW)**  
**65DMLF51.9M2BG (1.9 kW)**

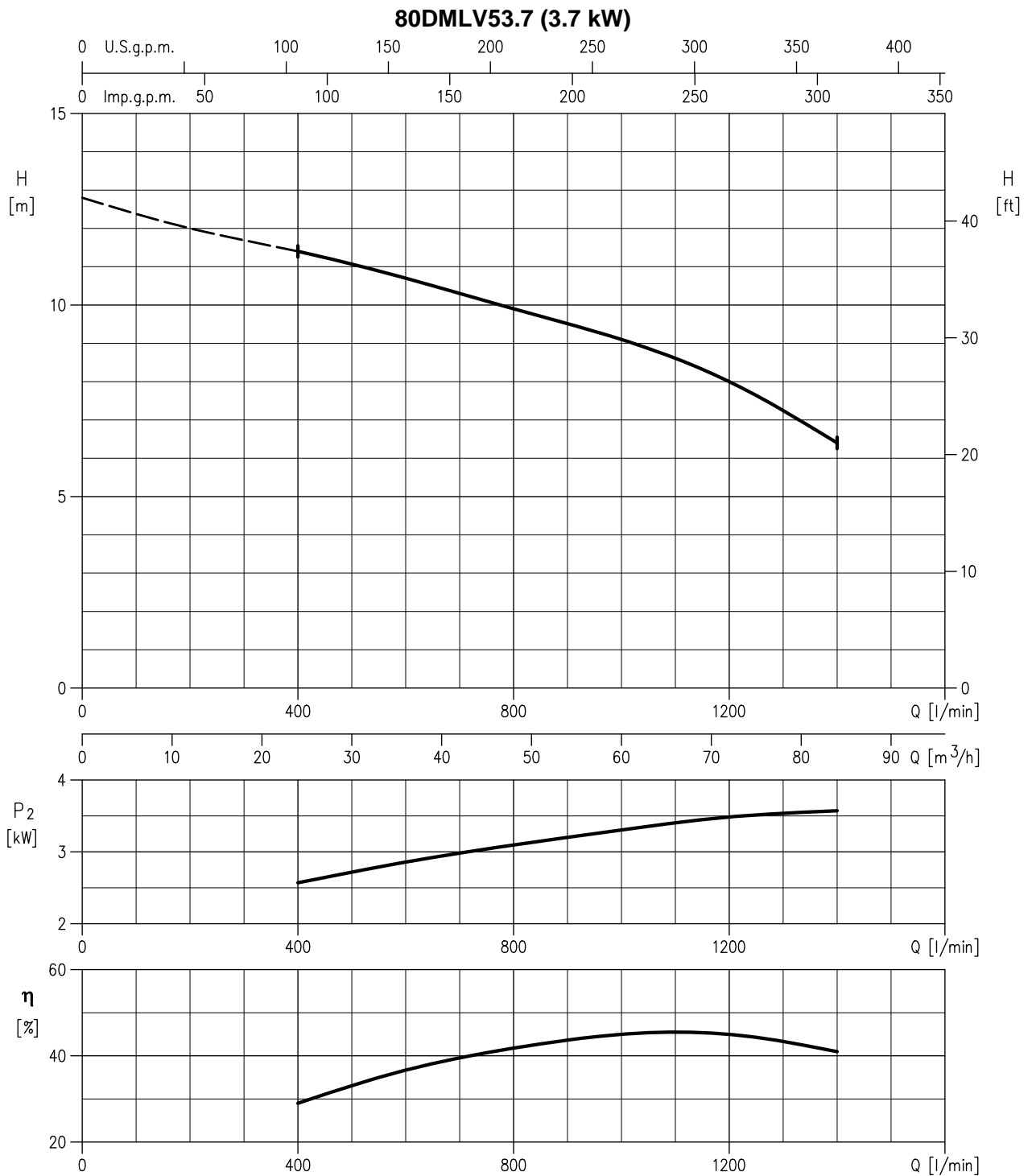


Rotation speed  $\approx 2850 \text{ min}^{-1}$   
 Test standard: ISO 9906 – Annex A

**80DMLV52.2 (2.2 kW)**

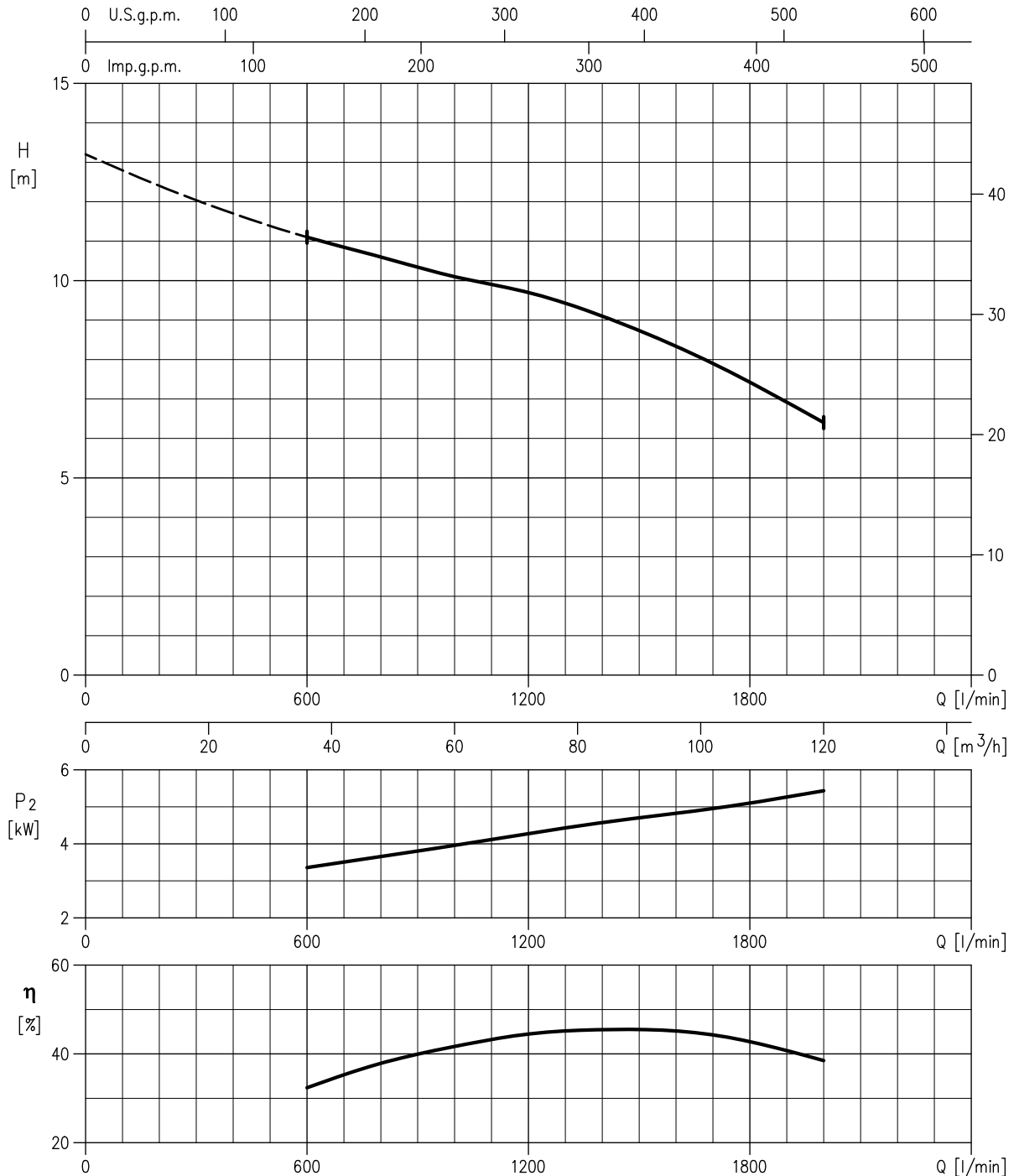


Rotation speed  $\approx 1450 \text{ min}^{-1}$   
 Test standard: ISO 9906 – Annex A

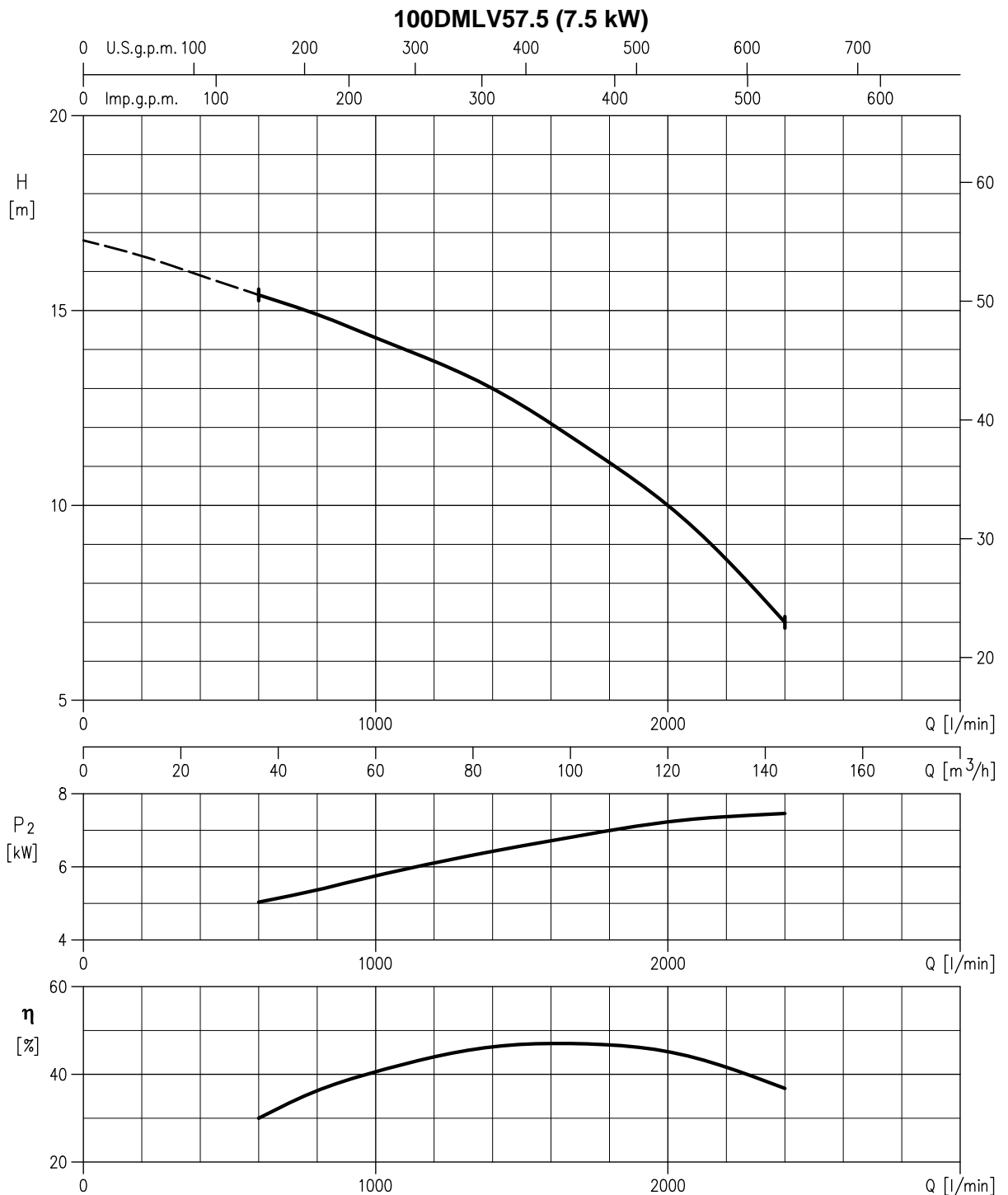


Rotation speed  $\approx 1450 \text{ min}^{-1}$   
 Test standard: ISO 9906 – Annex A

**100DMLV55.5 (5.5 kW)**

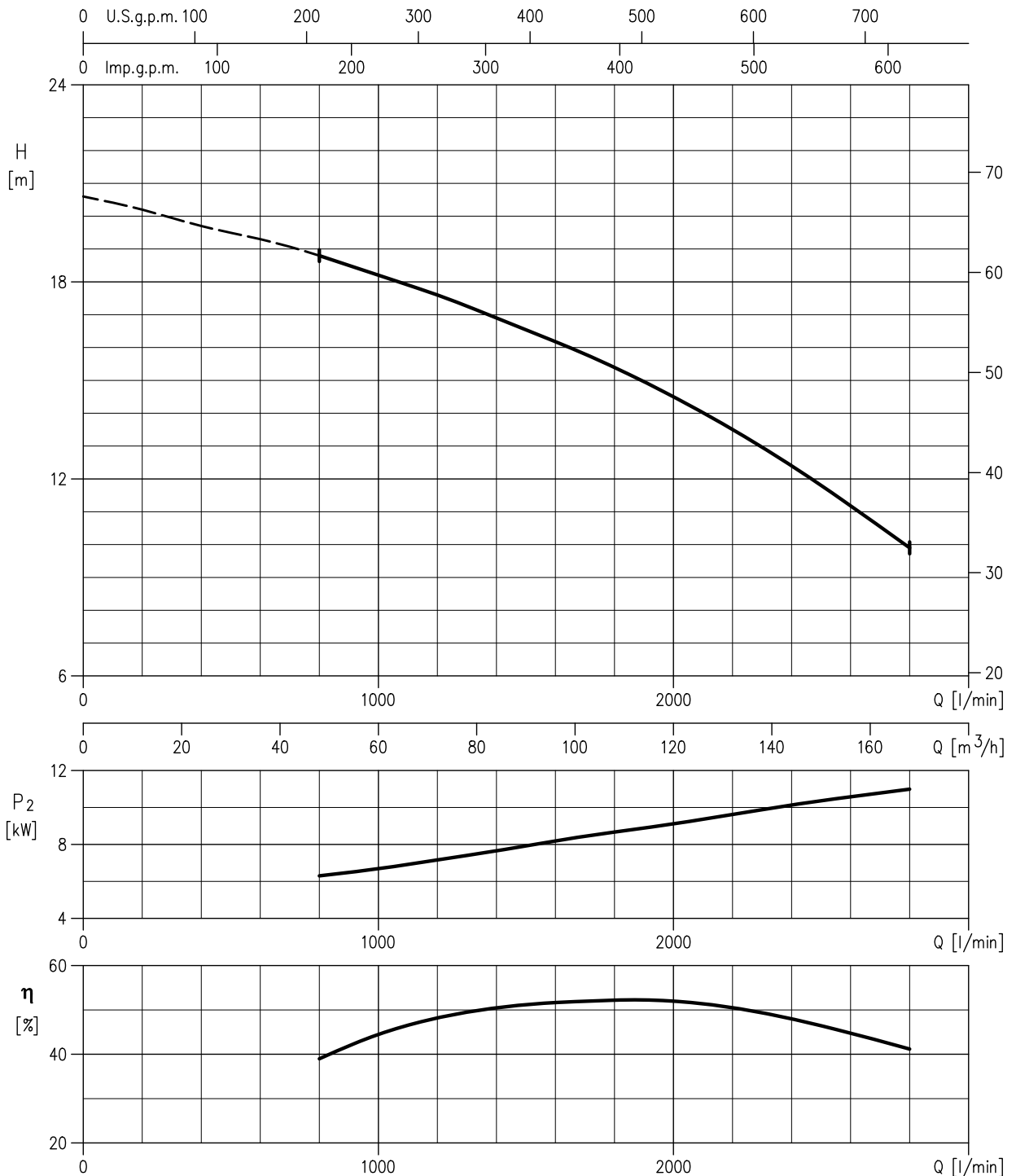


Rotation speed  $\approx 1450 \text{ min}^{-1}$   
 Test standard: ISO 9906 – Annex A



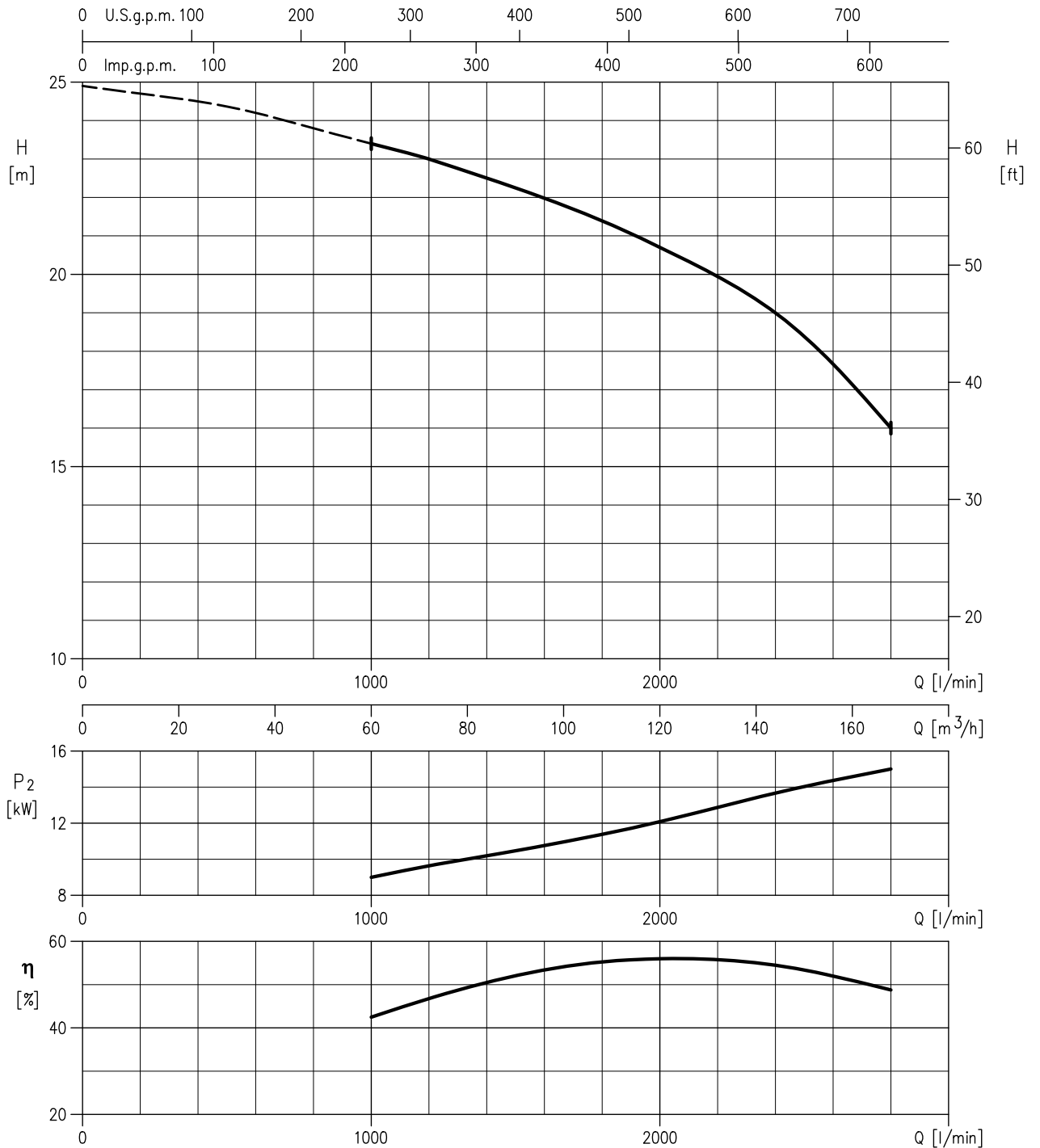
Rotation speed  $\approx 1450 \text{ min}^{-1}$   
 Test standard: ISO 9906 – Annex A

**100DMLV511 (11 kW)**



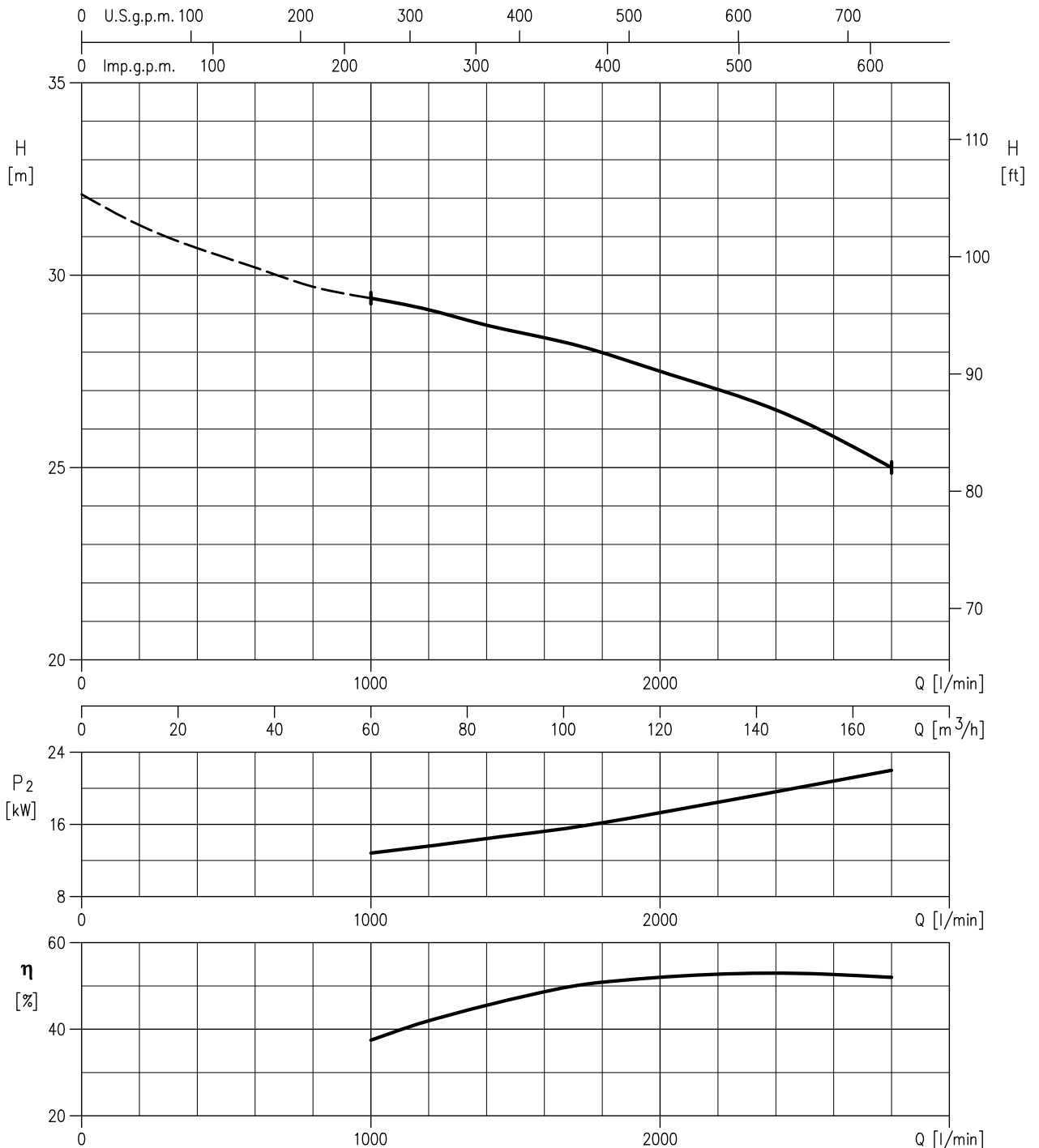
Rotation speed  $\approx 1450 \text{ min}^{-1}$   
 Test standard: ISO 9906 – Annex A

**100DMLV515 (15 kW)**



Rotation speed  $\approx 1450 \text{ min}^{-1}$   
 Test standard: ISO 9906 – Annex A

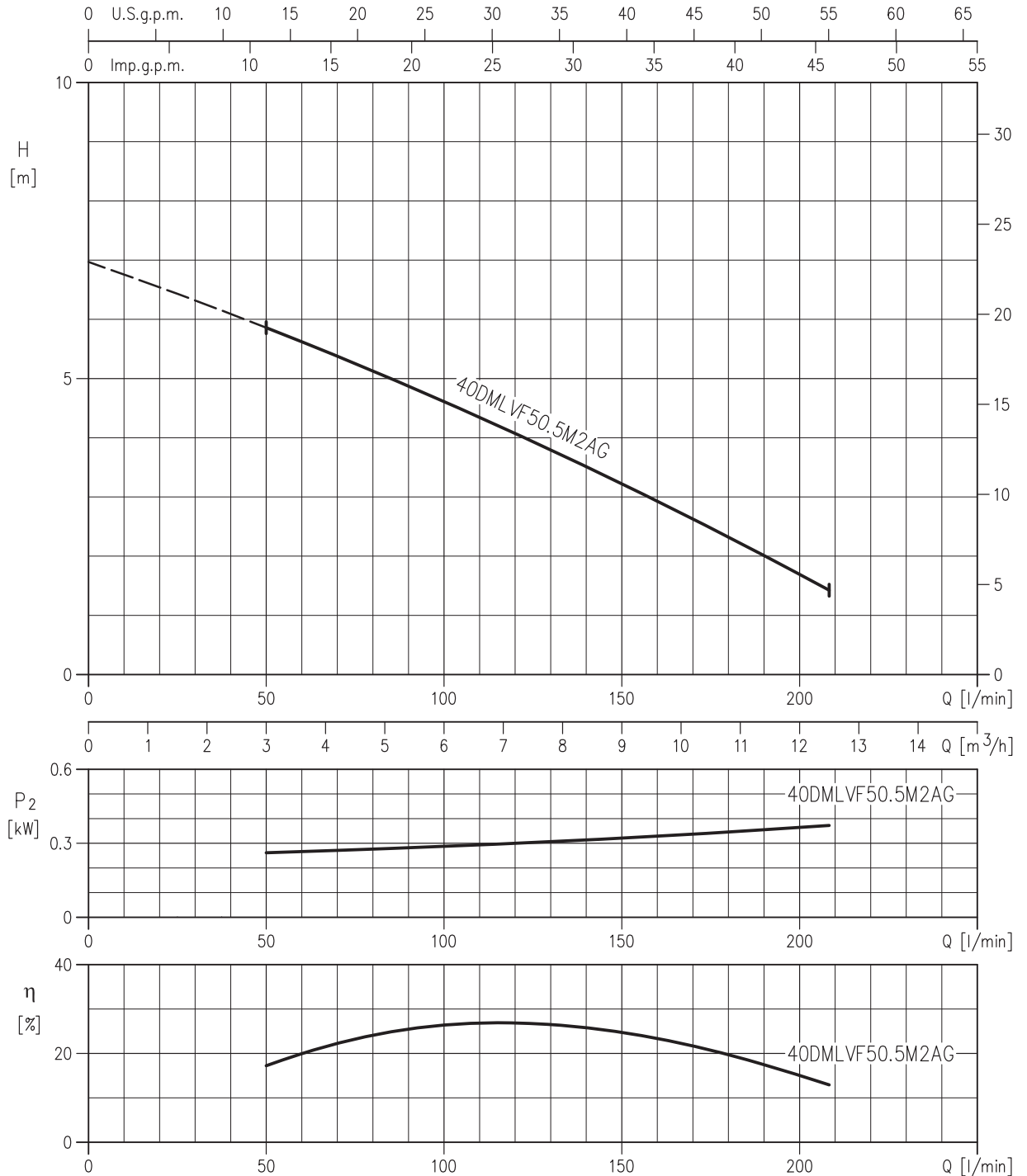
**100DMLV522 (22 kW)**



Rotation speed  $\approx 1450 \text{ min}^{-1}$   
 Test standard: ISO 9906 – Annex A

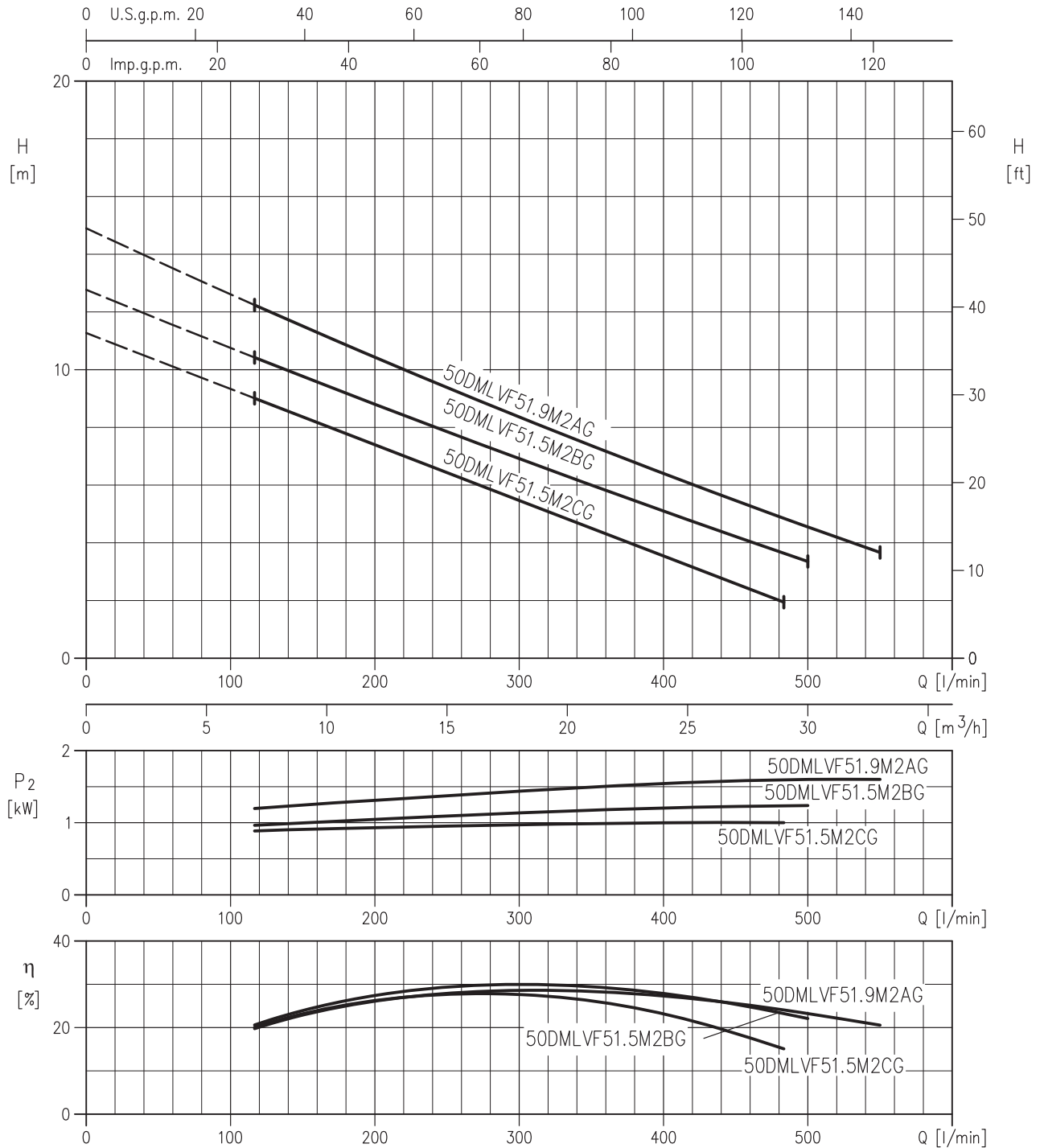


**40DMLVF50.5M2AG (0.5 kW)**



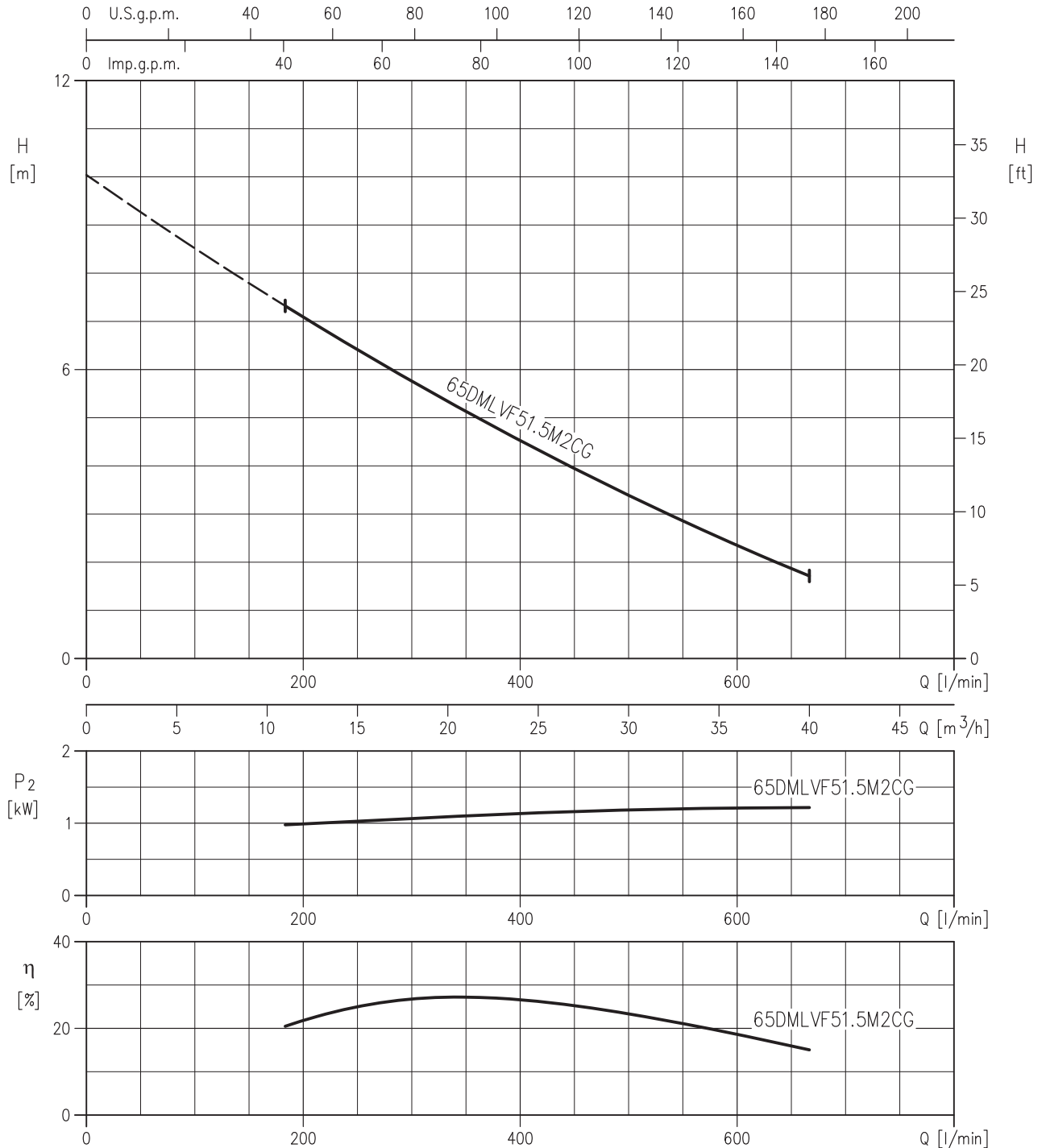
Rotation speed  $\approx 2850 \text{ min}^{-1}$   
 Test standard: ISO 9906 – Annex A

**50DMLVF51.5M2CG (1.5 kW)**  
**50DMLVF51.5M2BG (1.5 kW)**  
**50DMLVF51.9M2AG (1.9 kW)**



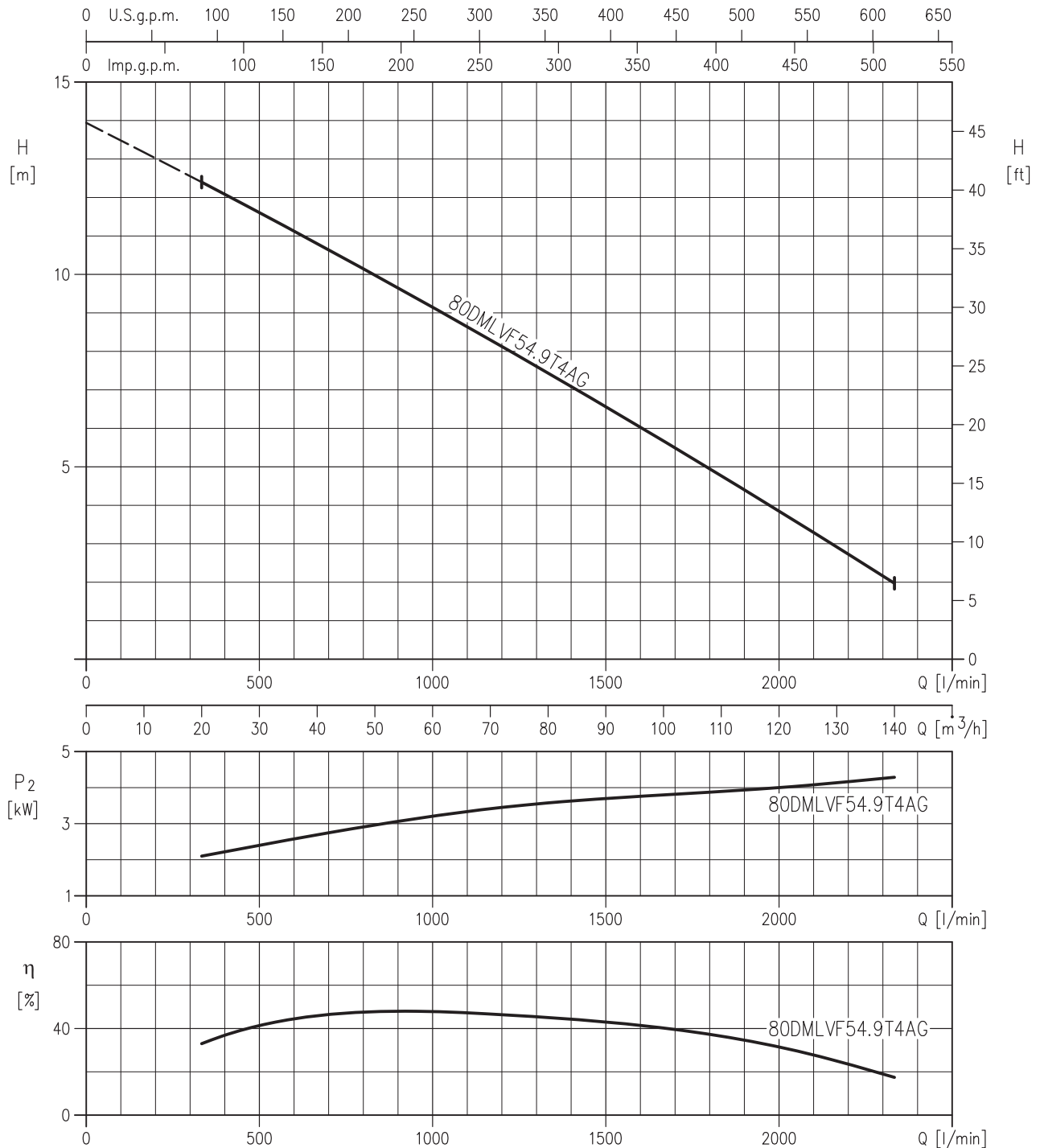
Rotation speed  $\approx 2850 \text{ min}^{-1}$   
 Test standard: ISO 9906 – Annex A

**65DMLVF51.5M2CG (1.5 kW)**



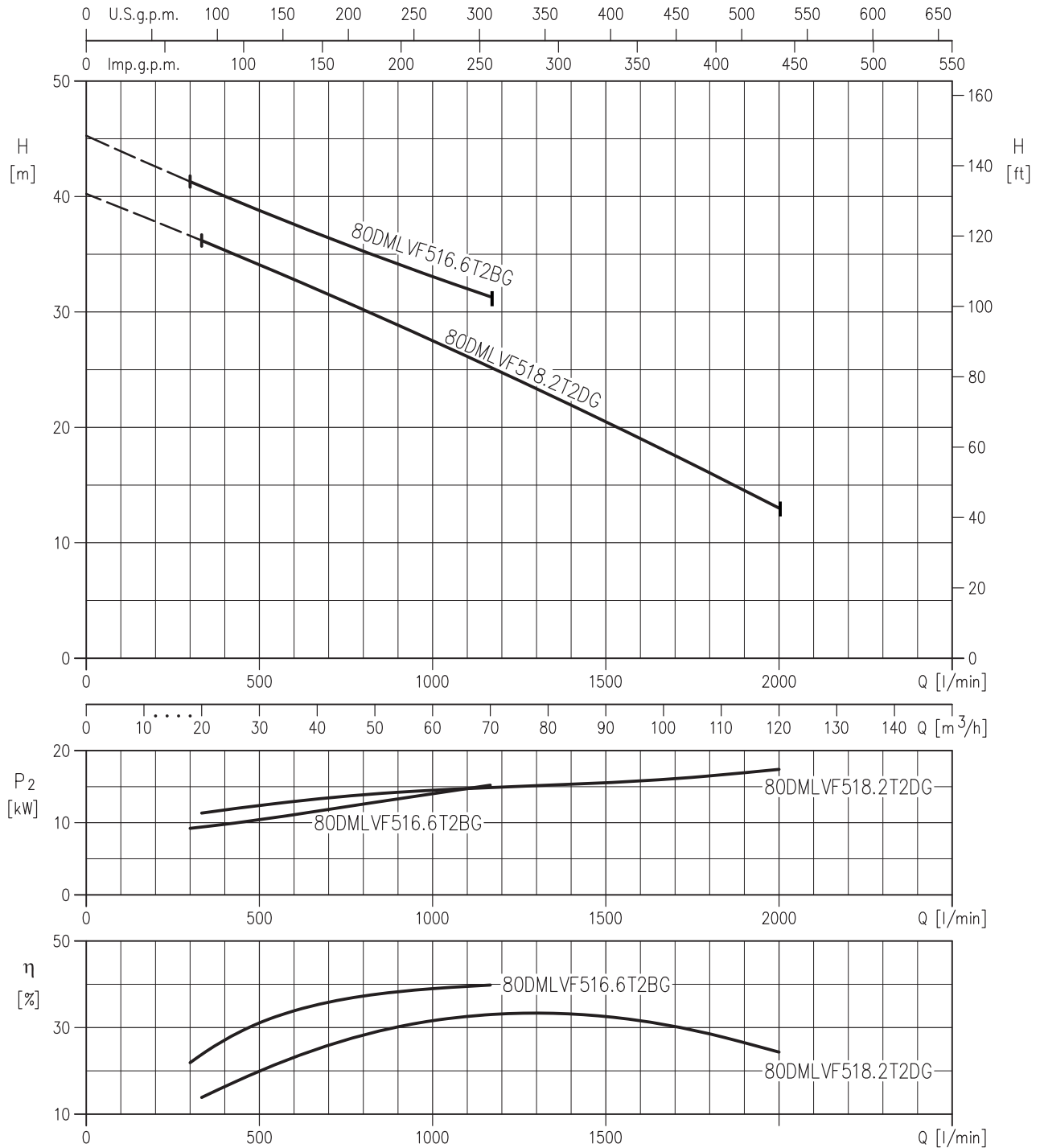
Rotation speed  $\approx 2800 \text{ min}^{-1}$   
 Test standard: ISO 9906 – Annex A

80DMLVF54.9T4AG (4.9 kW)



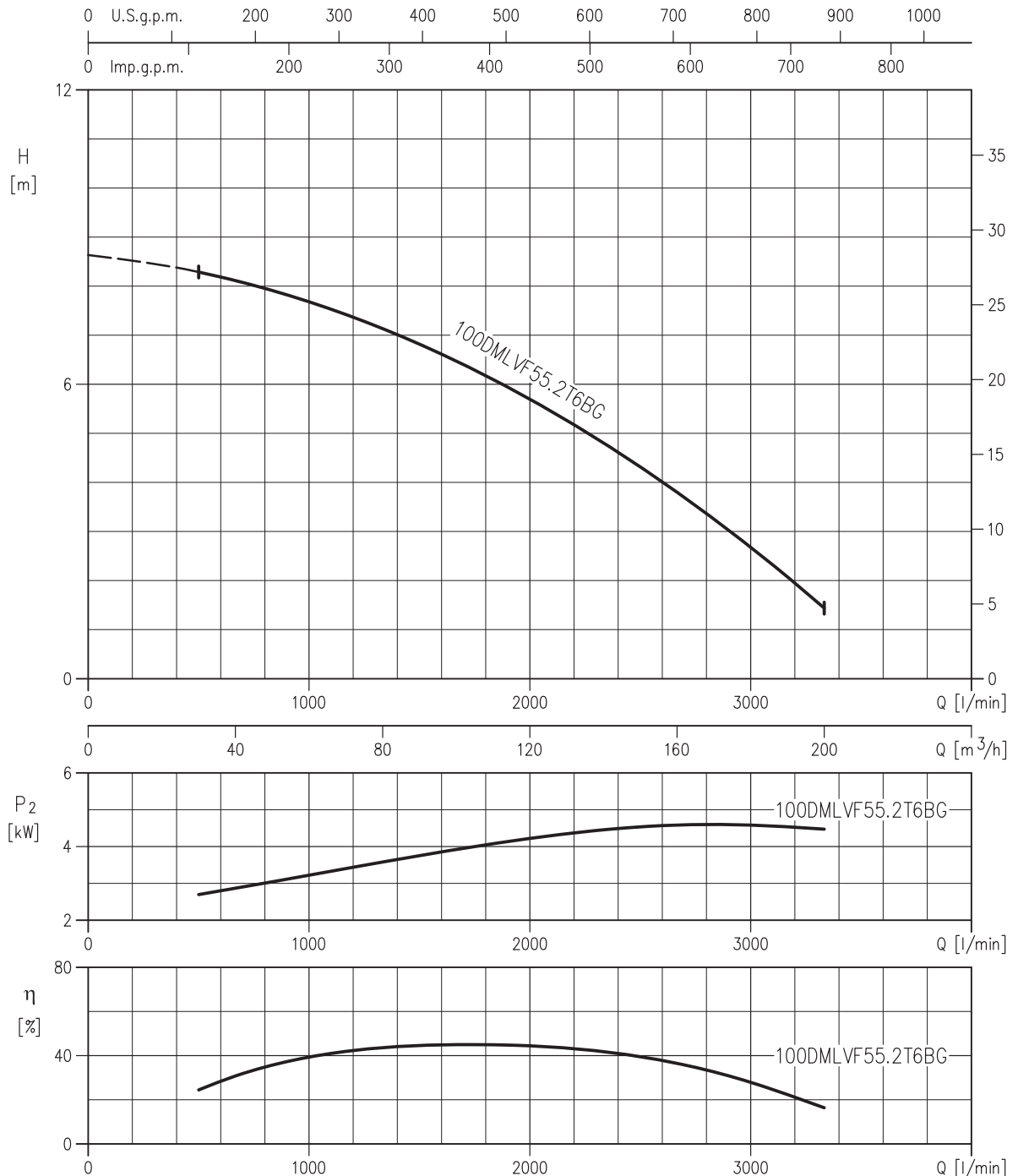
Rotation speed  $\approx 1450 \text{ min}^{-1}$   
 Test standard: ISO 9906 – Annex A

**80DMLVF516.6T2BG (16.6kW)**  
**80DMLVF518.2T2DG (18.2kW)**



Rotation speed  $\approx 2850 \text{ min}^{-1}$   
 Test standard: ISO 9906 – Annex A

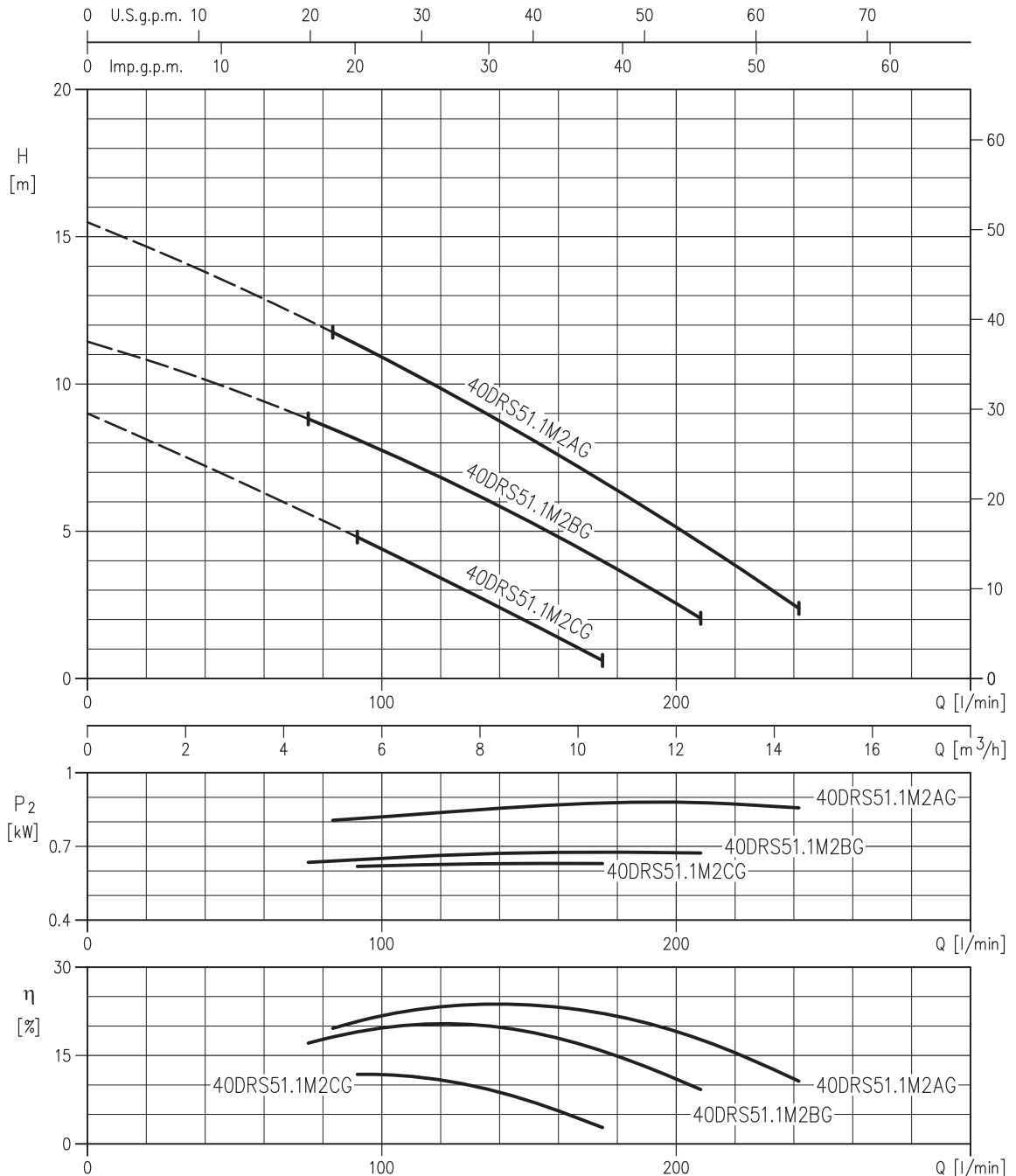
**100DMLVF55.2T6BG (5.2 kW)**



Rotation speed  $\approx 950 \text{ min}^{-1}$

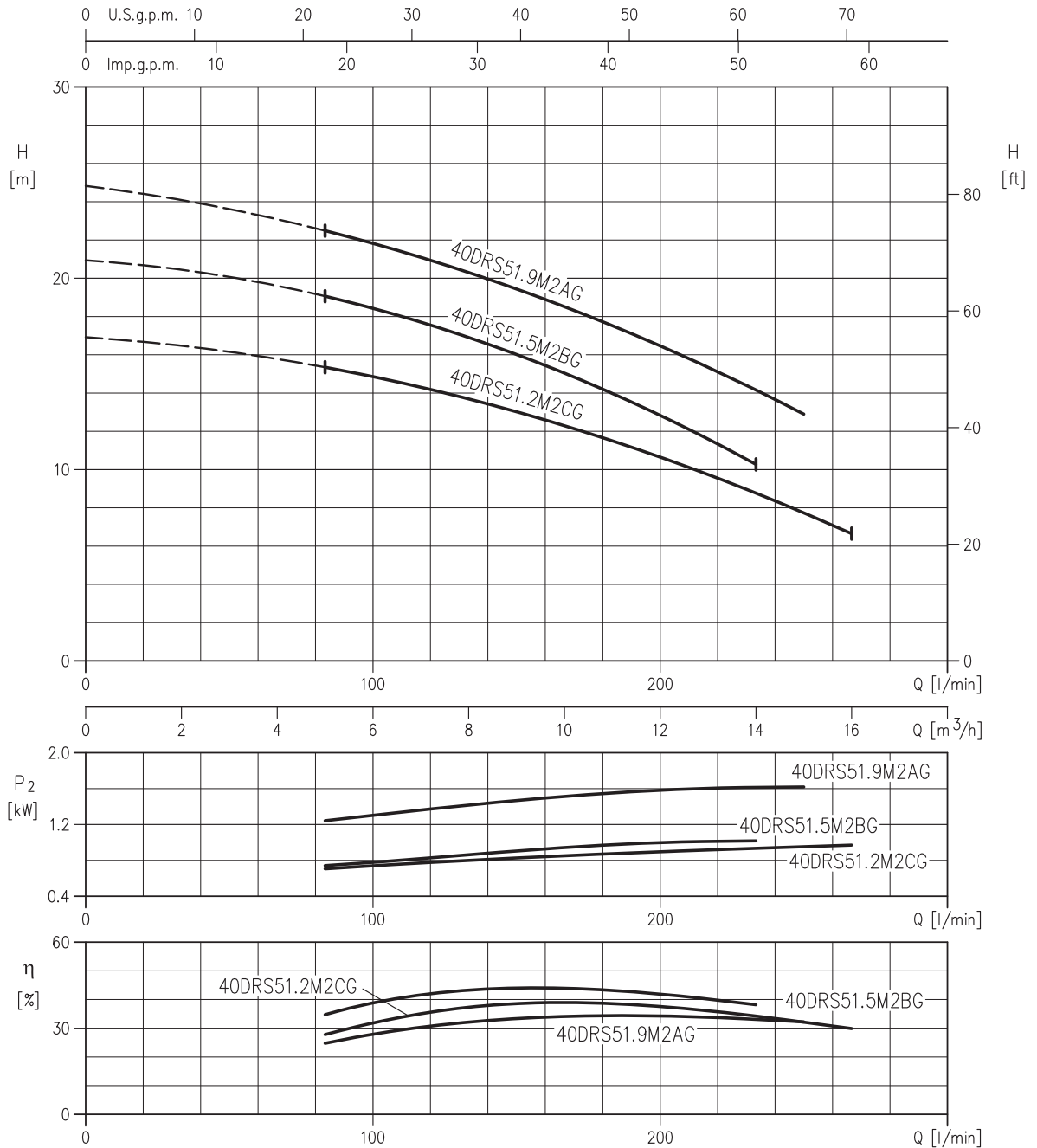
Test standard: ISO 9906 – Annex A

**40DRS51.1M2CG (1.1 kW)**  
**40DRS51.1M2BG (1.1 kW)**  
**40DRS51.1M2AG (1.1 kW)**



Rotation speed  $\approx 2850 \text{ min}^{-1}$   
 Test standard: ISO 9906 – Annex A

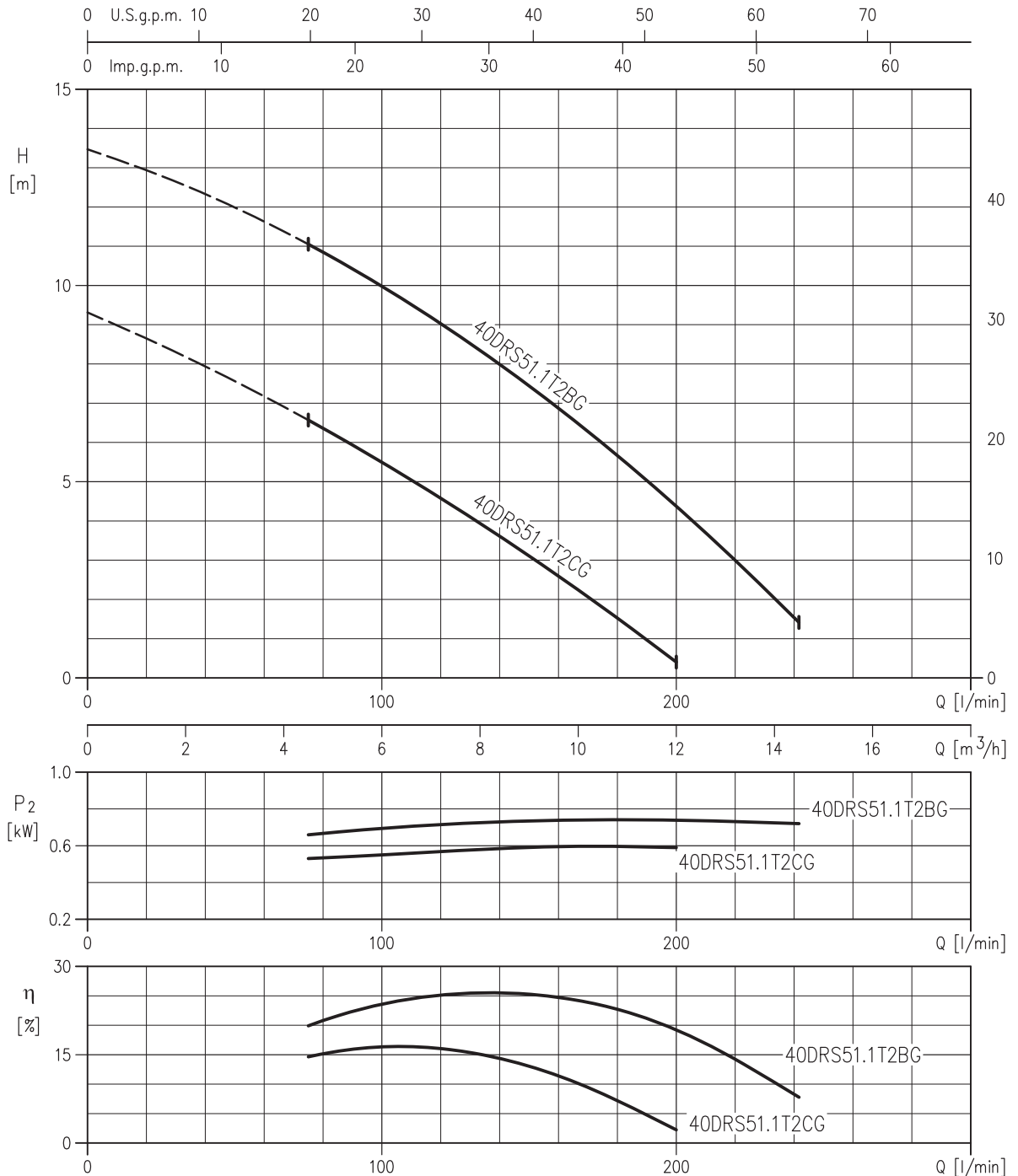
**40DRS51.2M2CG (1.2 kW)**  
**40DRS51.5M2BG (1.5 kW)**  
**40DRS51.9M2AG (1.9 kW)**



Rotation speed  $\approx 2800 \text{ min}^{-1}$   
 Test standard: ISO 9906 – Annex A

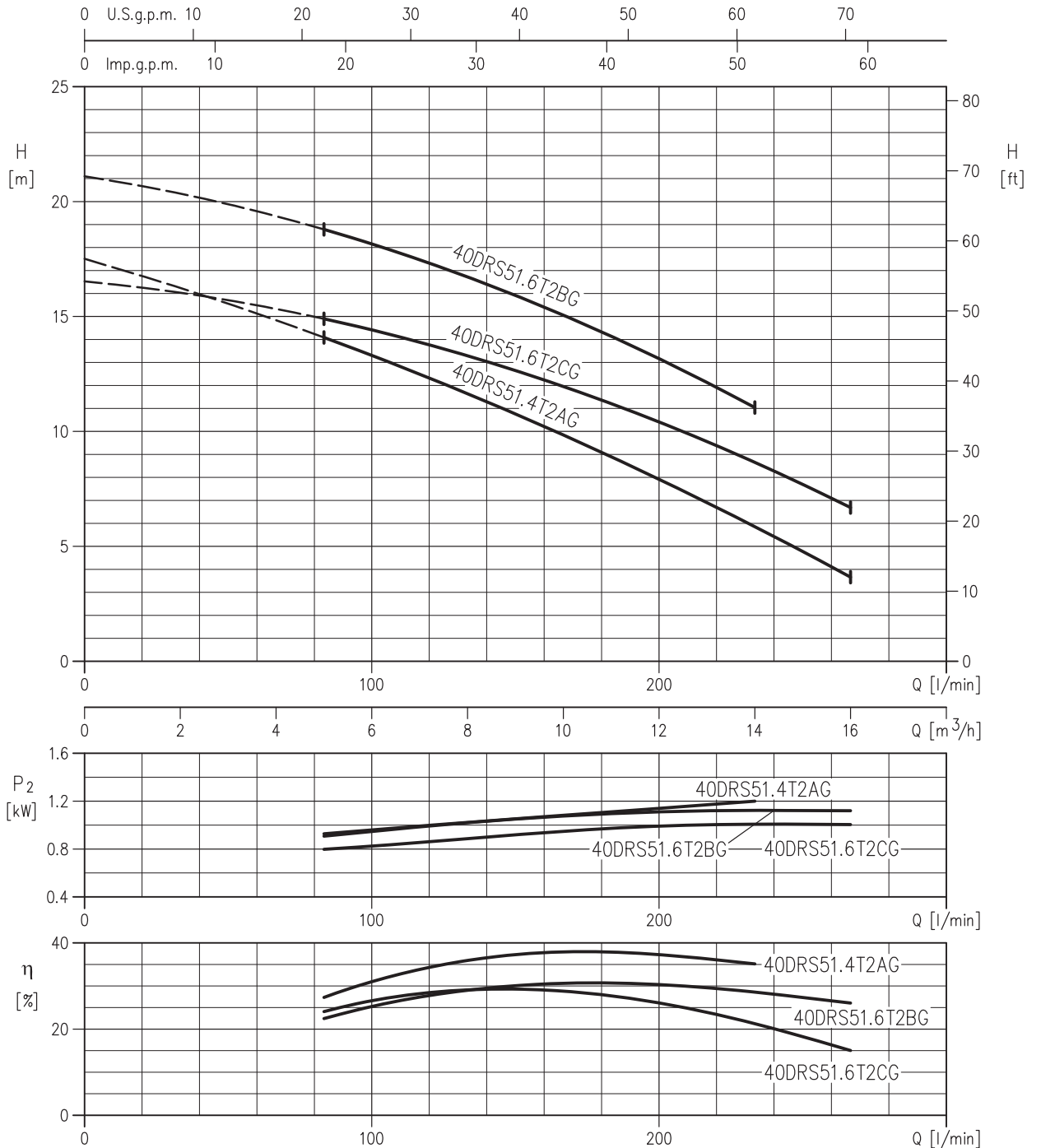


**40DRS51.1T2CG (1.1 kW)**  
**40DRS51.1T2BG (1.1 kW)**



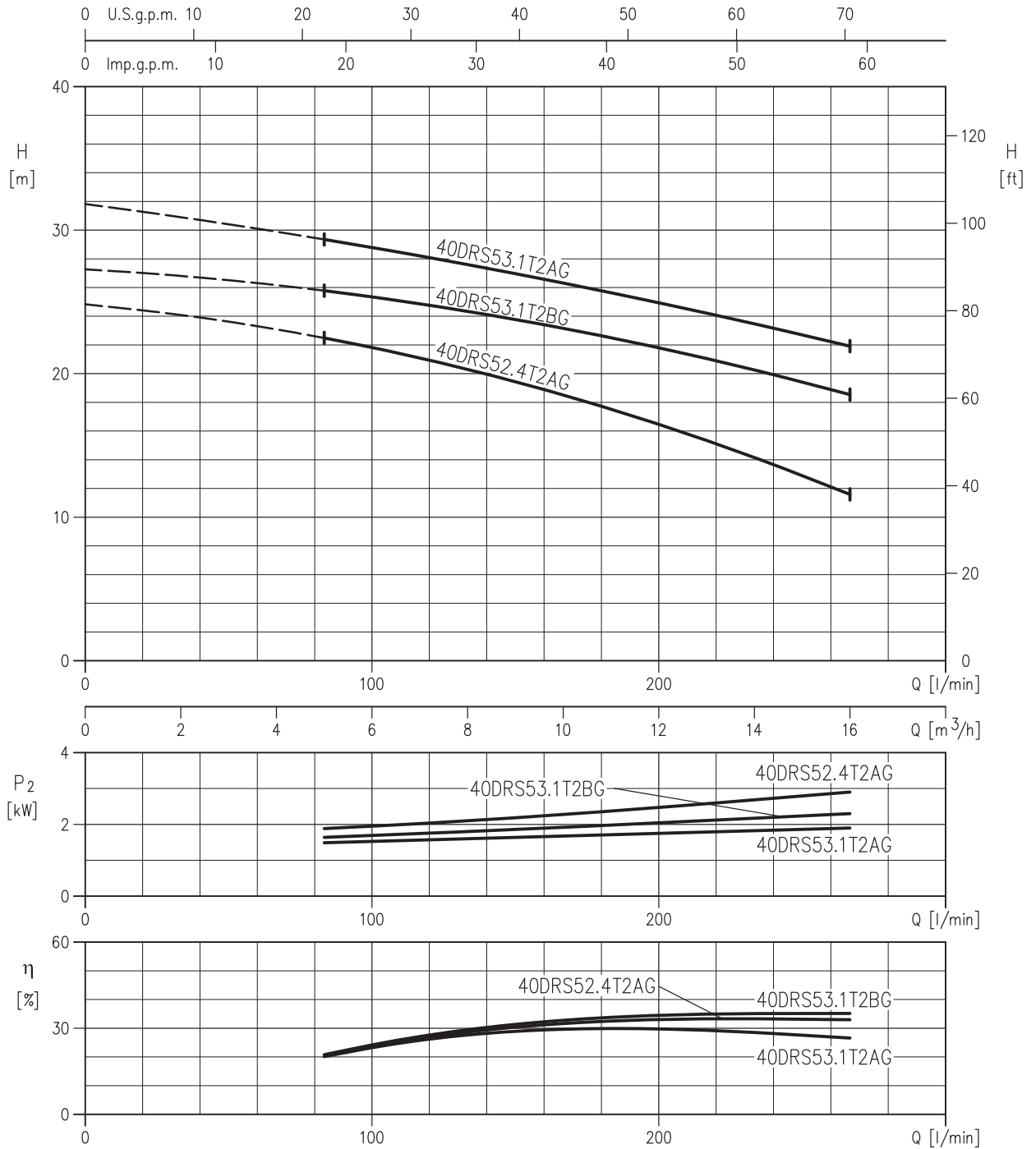
Rotation speed  $\approx 2800 \text{ min}^{-1}$   
 Test standard: ISO 9906 – Annex A

**40DRS51.4T2AG (1.4 kW)**  
**40DRS51.6T2CG (1.6 kW)**  
**40DRS51.6T2BG (1.6 kW)**



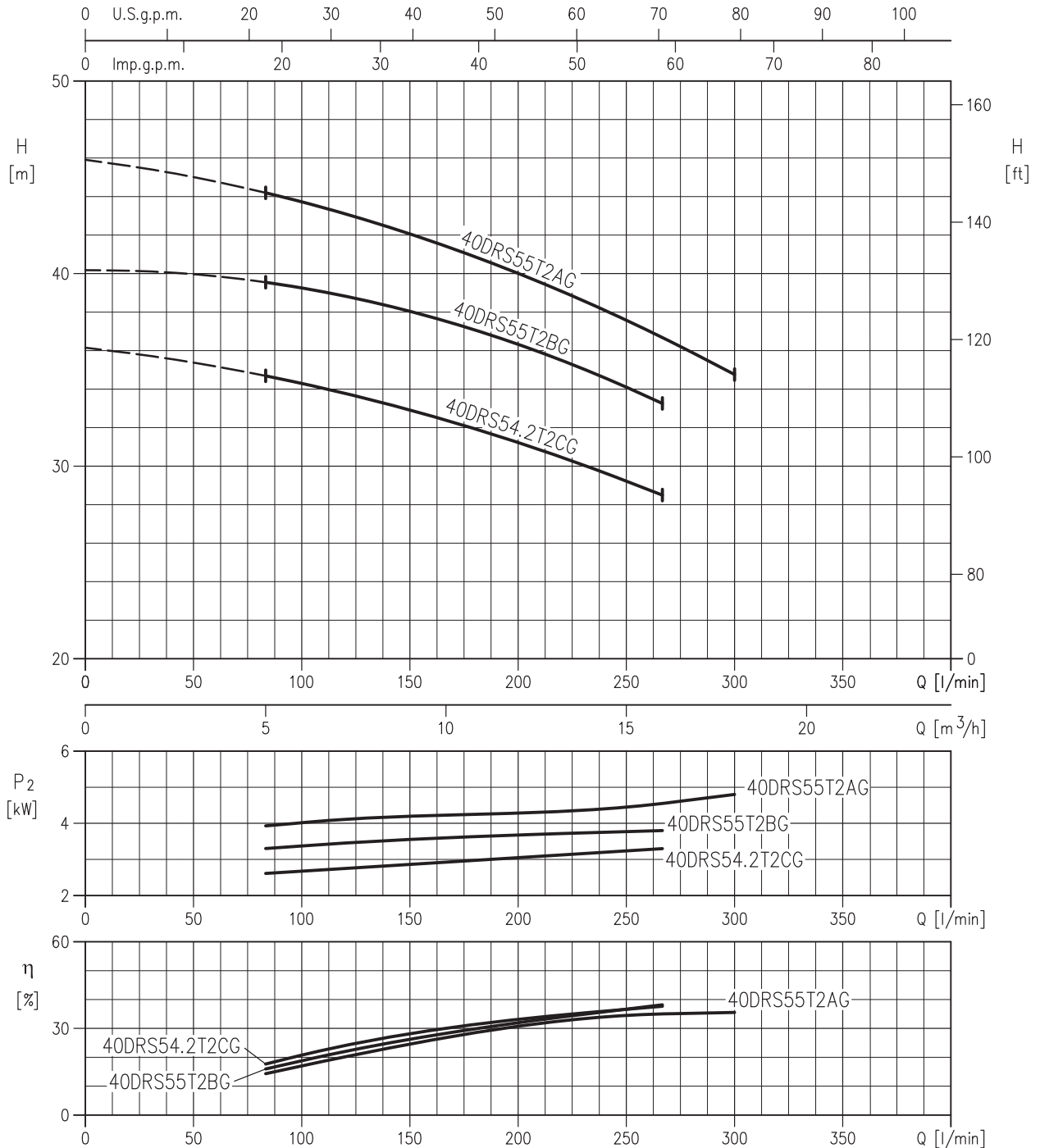
Rotation speed  $\approx 2800 \text{ min}^{-1}$   
 Test standard: ISO 9906 – Annex A

**40DRS52.4T2AG (2.4 kW)**  
**40DRS53.1T2BG (3.1 kW)**  
**40DRS53.1T2AG (3.1 kW)**

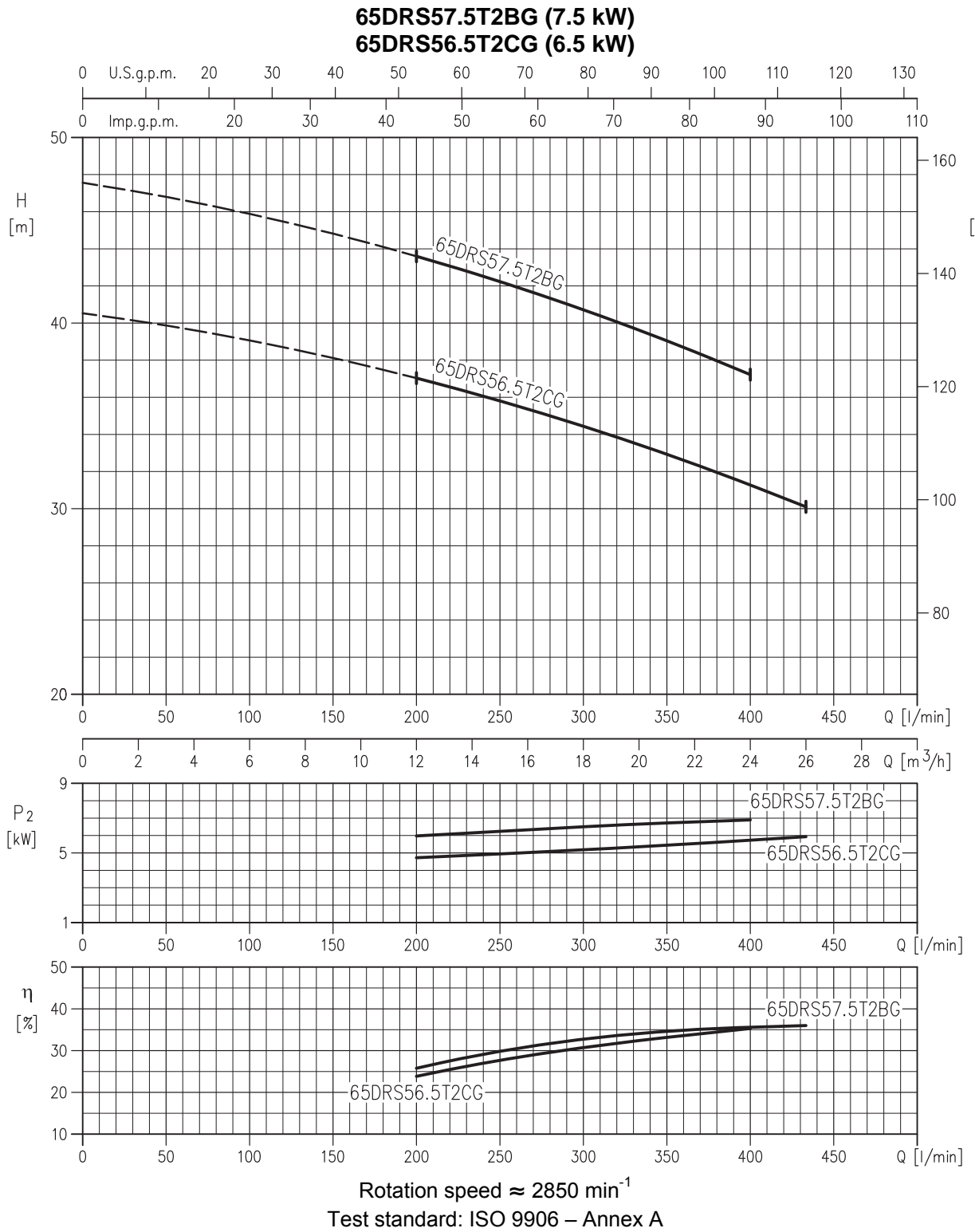


Rotation speed  $\approx 2800 \text{ min}^{-1}$   
 Test standard: ISO 9906 – Annex A

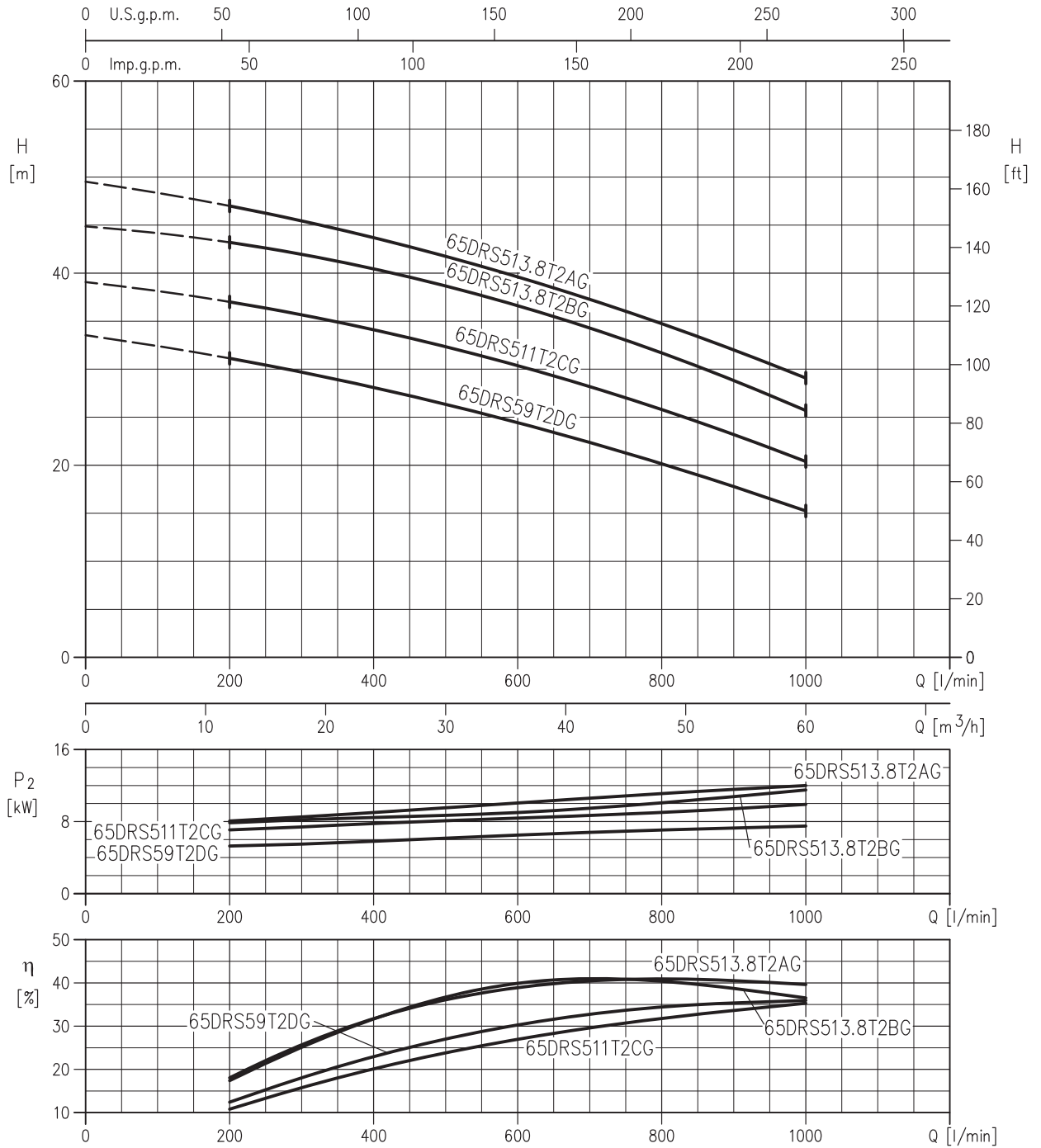
**40DRS54.2T2CG (4.2 kW)**  
**40DRS55T2BG (5.0kW)**  
**40DRS55T2AG (5.0 kW)**



Rotation speed  $\approx 2850 \text{ min}^{-1}$   
 Test standard: ISO 9906 – Annex A

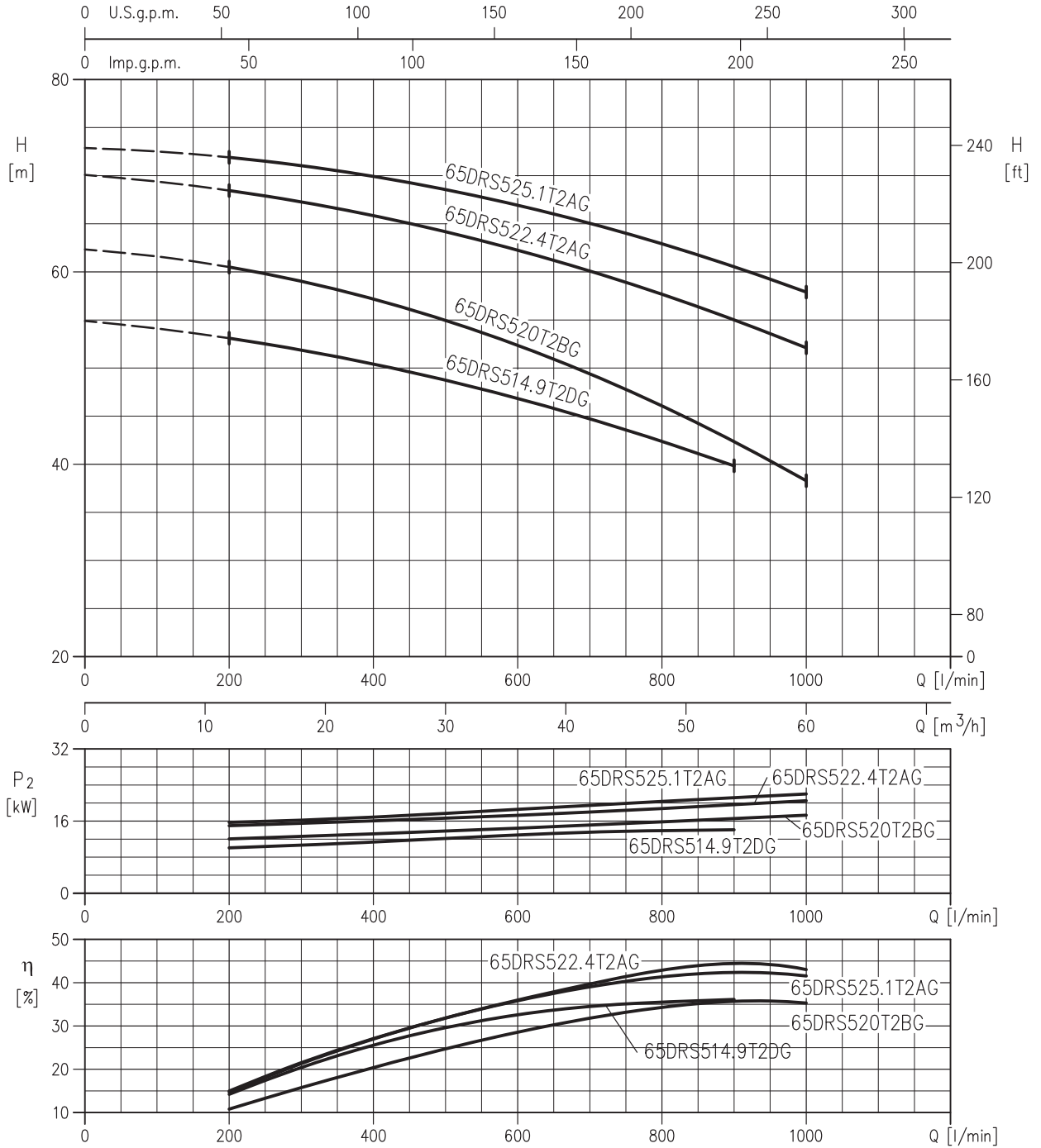


**65DRS59T2DG (9.0 kW)**  
**65DRS511T2CG (11 kW)**  
**65DRS513.8T2BG (13.8 kW)**  
**65DRS513.8T2AG (13.8 kW)**



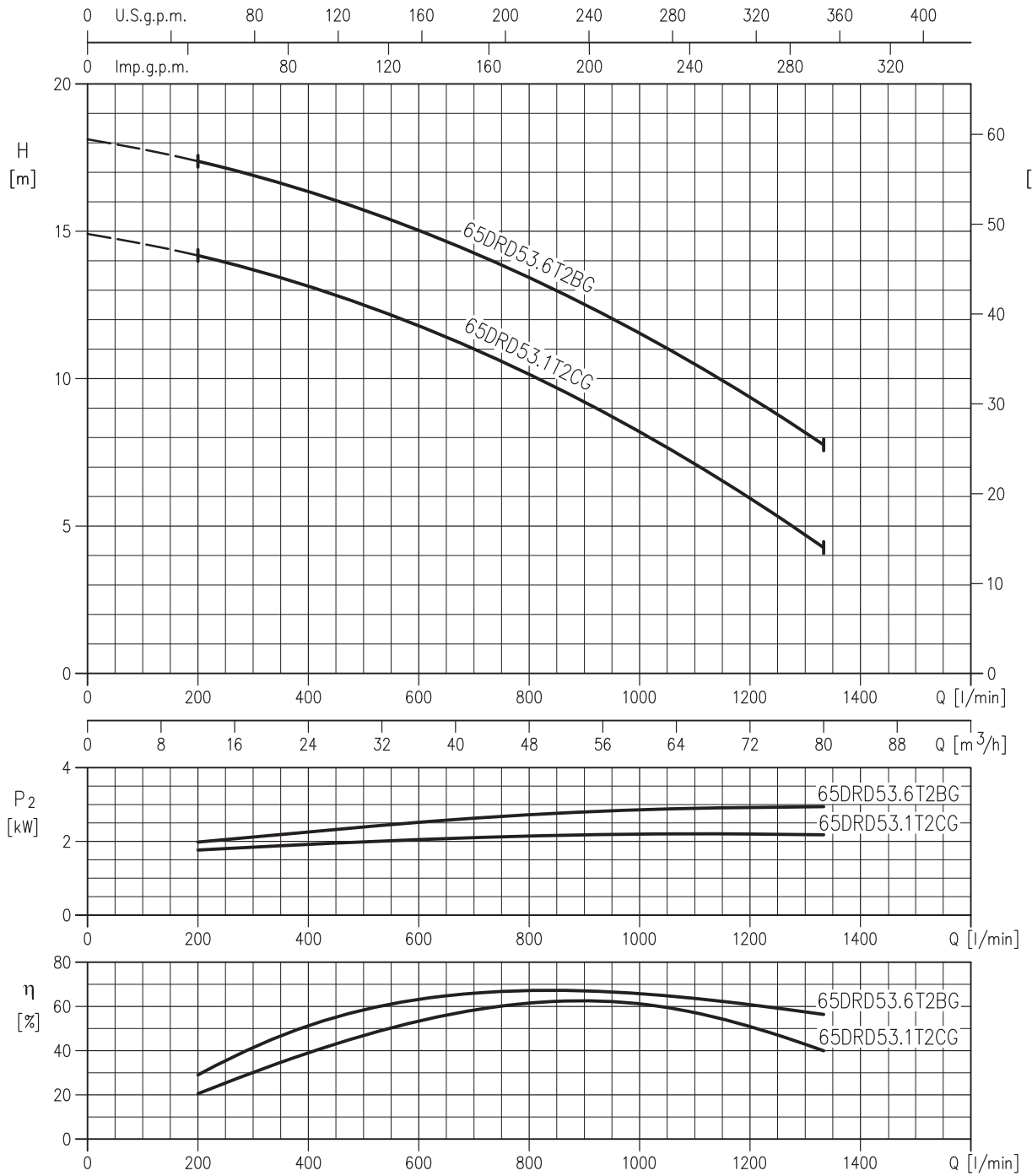
Rotation speed  $\approx 2850 \text{ min}^{-1}$   
 Test standard: ISO 9906 – Annex A

65DRS514.9T2GG (14.9 kW)  
 65DRS520T2BG (20 kW)  
 65DRS522.4T2AG (22.4 kW)  
 65DRS525.1T2AG (25.1 kW)



Rotation speed ≈ 2850 min<sup>-1</sup>  
 Test standard: ISO 9906 – Annex A

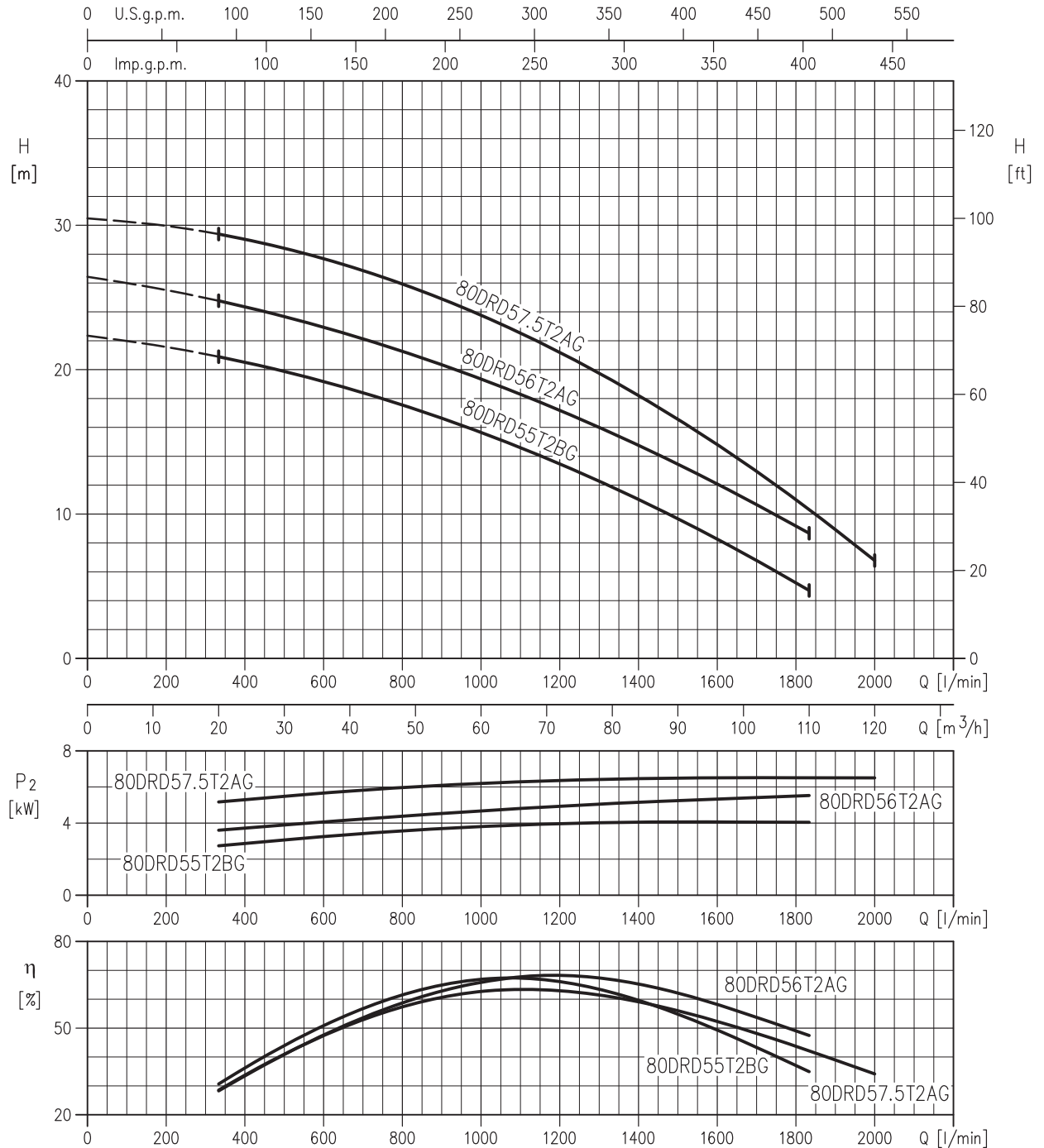
**65DRD53.1T2CG (3.1 kW)**  
**65DRD53.6T2BG (3.6 kW)**



Rotation speed  $\approx 2800 \text{ min}^{-1}$   
 Test standard: ISO 9906 – Annex A

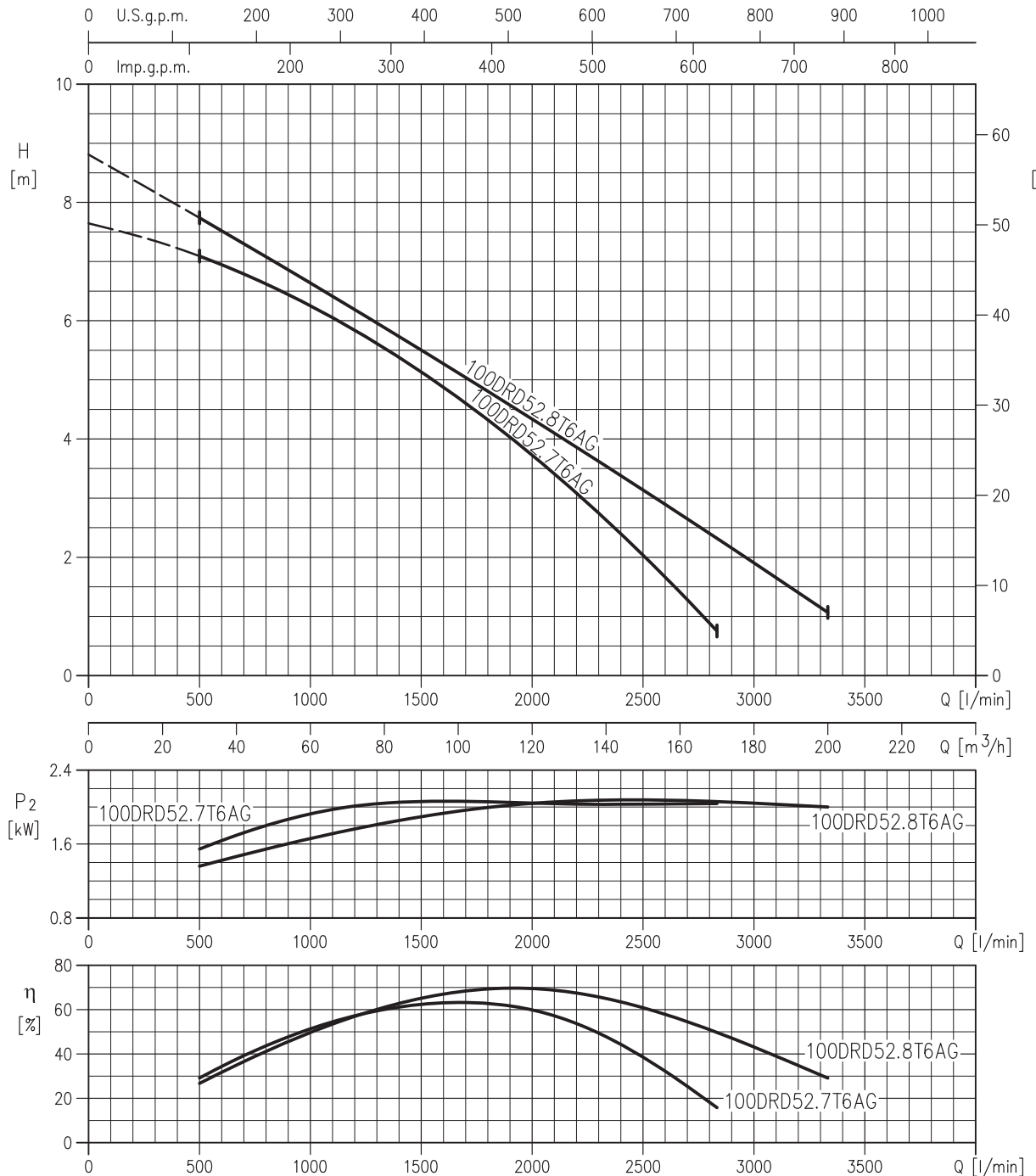


**80DRD55T2BG (5.0 kW)**  
**80DRD56T2AG (6.0 kW)**  
**80DRD57.5T2AG (7.5 kW)**



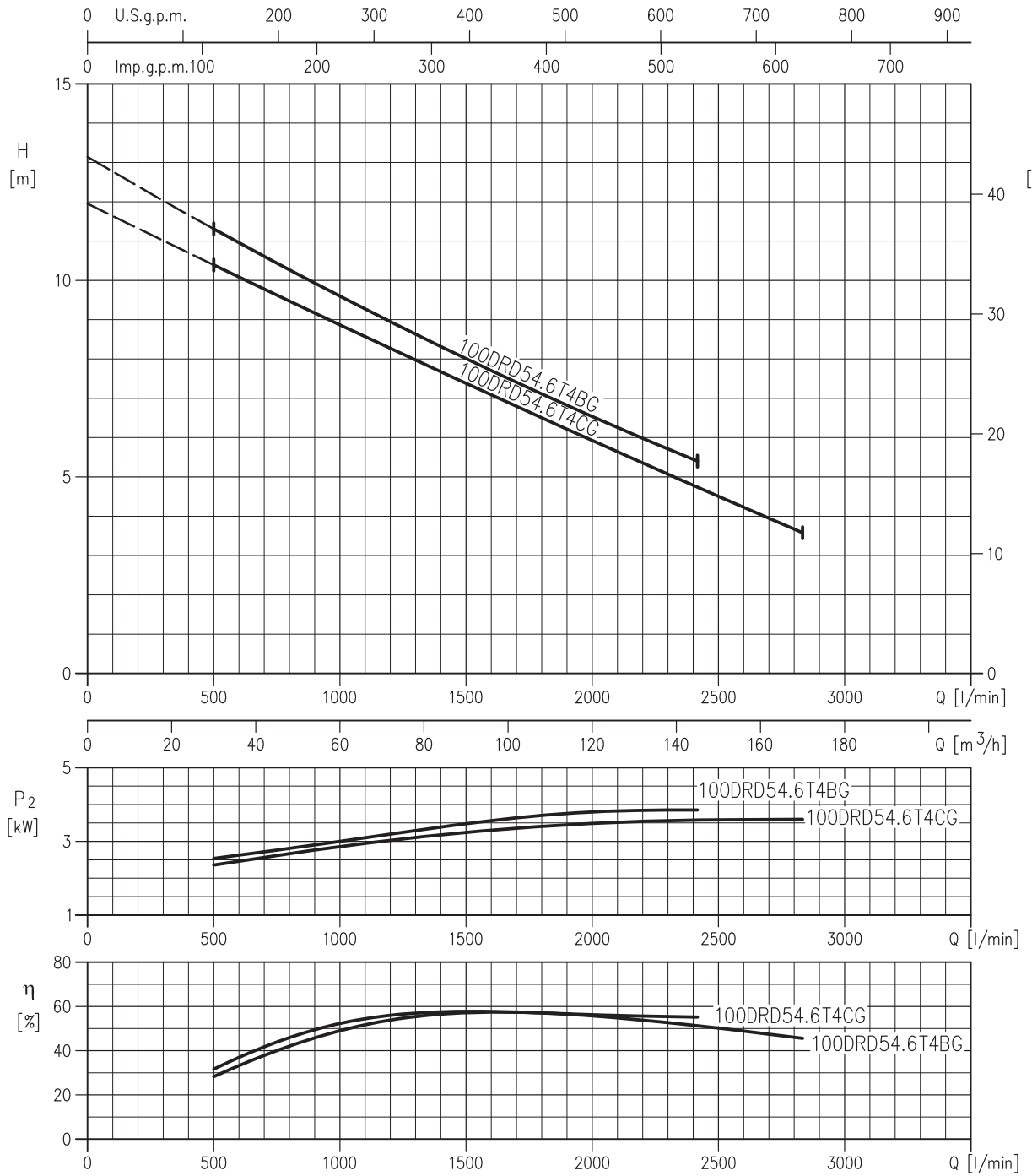
Rotation speed  $\approx 2850 \text{ min}^{-1}$   
 Test standard: ISO 9906 – Annex A

**100DRD52.7T6AG (2.7 kW)**  
**100DRD52.8T6AG (2.8 kW)**



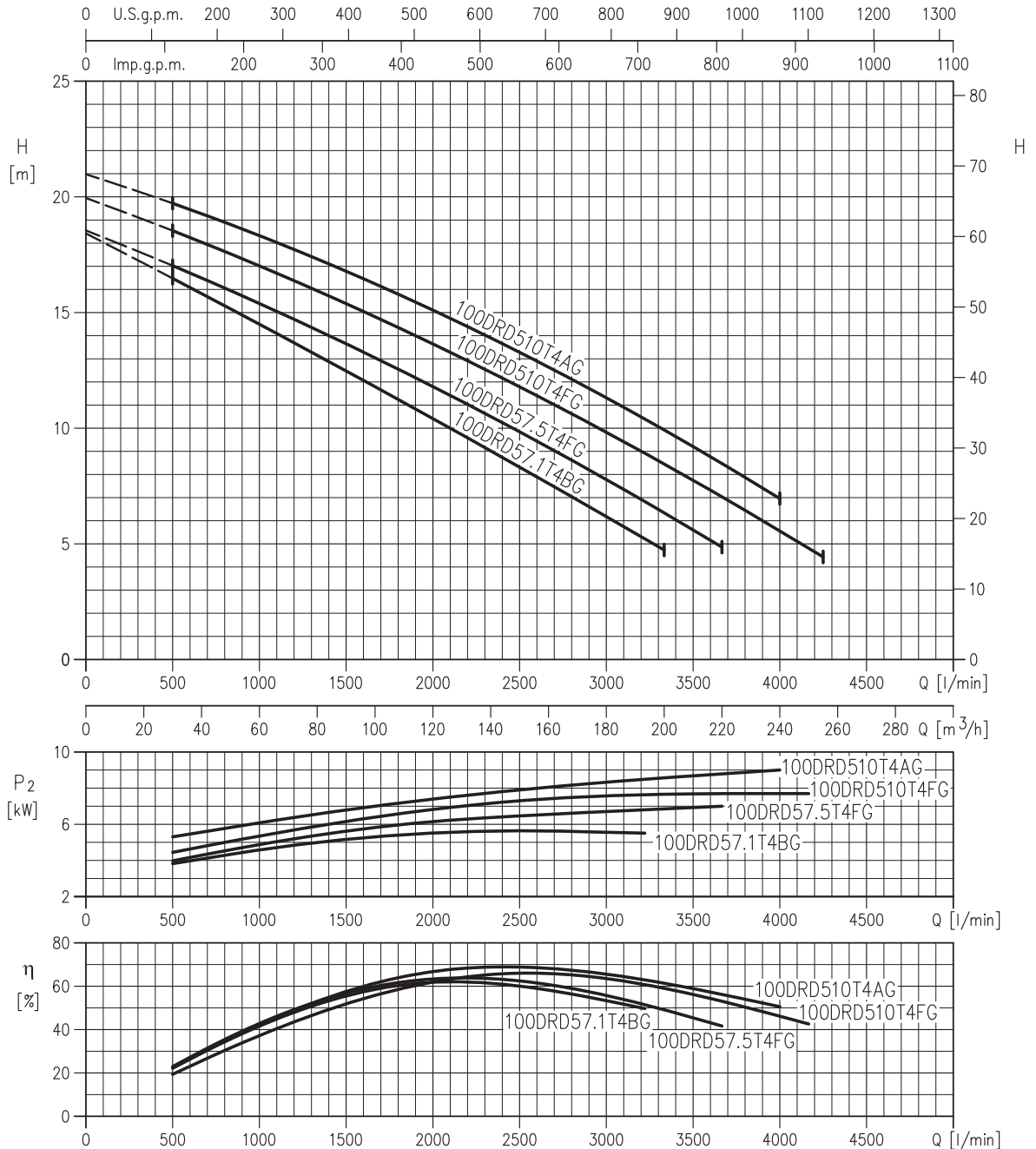
Rotation speed  $\approx 950 \text{ min}^{-1}$   
 Test standard: ISO 9906 – Annex A

**100DRD54.6T4CG (4.6 kW)**  
**100DRD54.6T4BG (4.6 kW)**



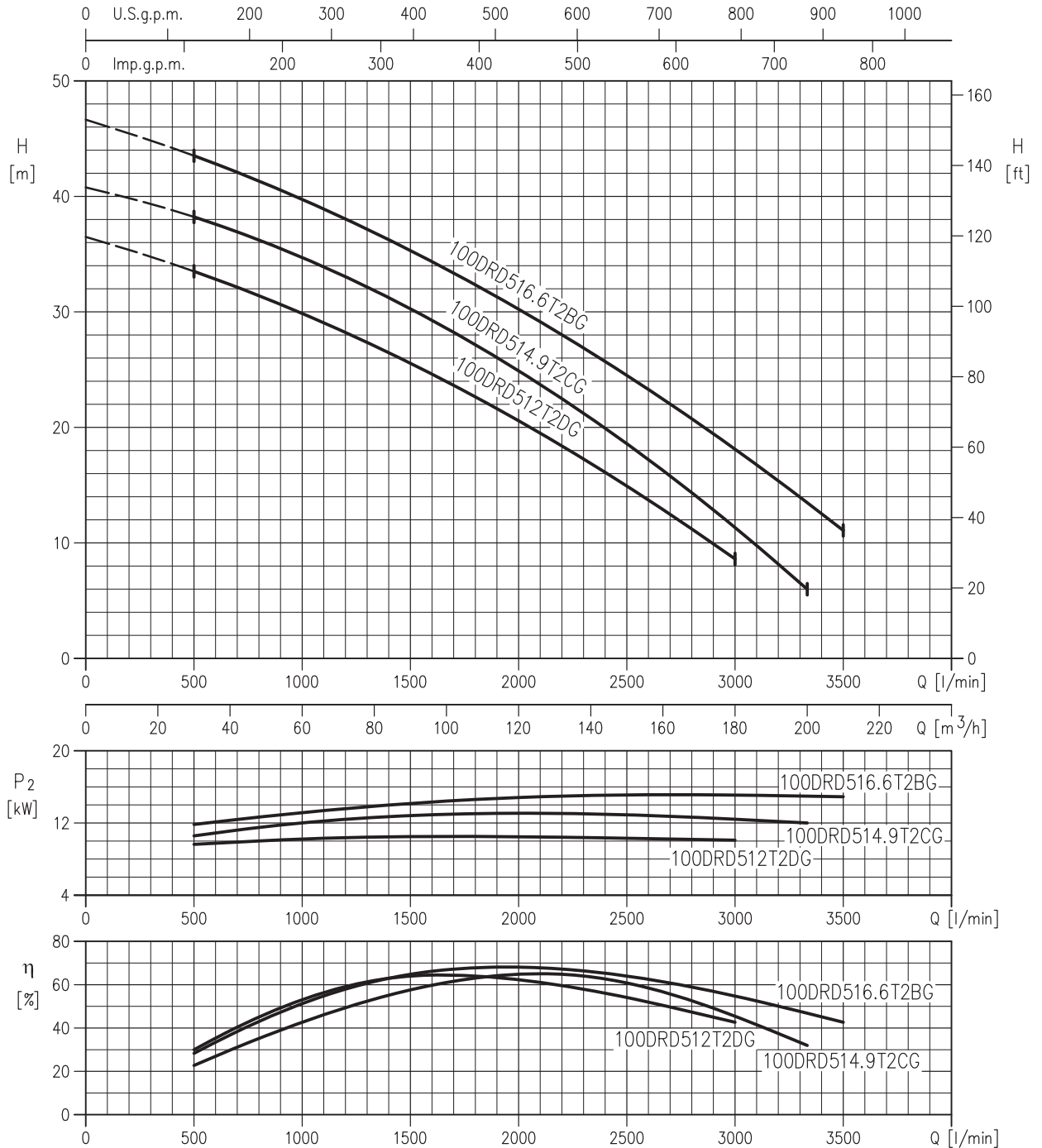
Rotation speed ≈ 1400 min<sup>-1</sup>  
 Test standard: ISO 9906 – Annex A

**100DRD57.1T4BG (7.1 kW)**  
**100DRD57.5T4FG (7.5 kW)**  
**100DRD510T4FG (10 kW)**  
**100DRD510T4AG (10 kW)**



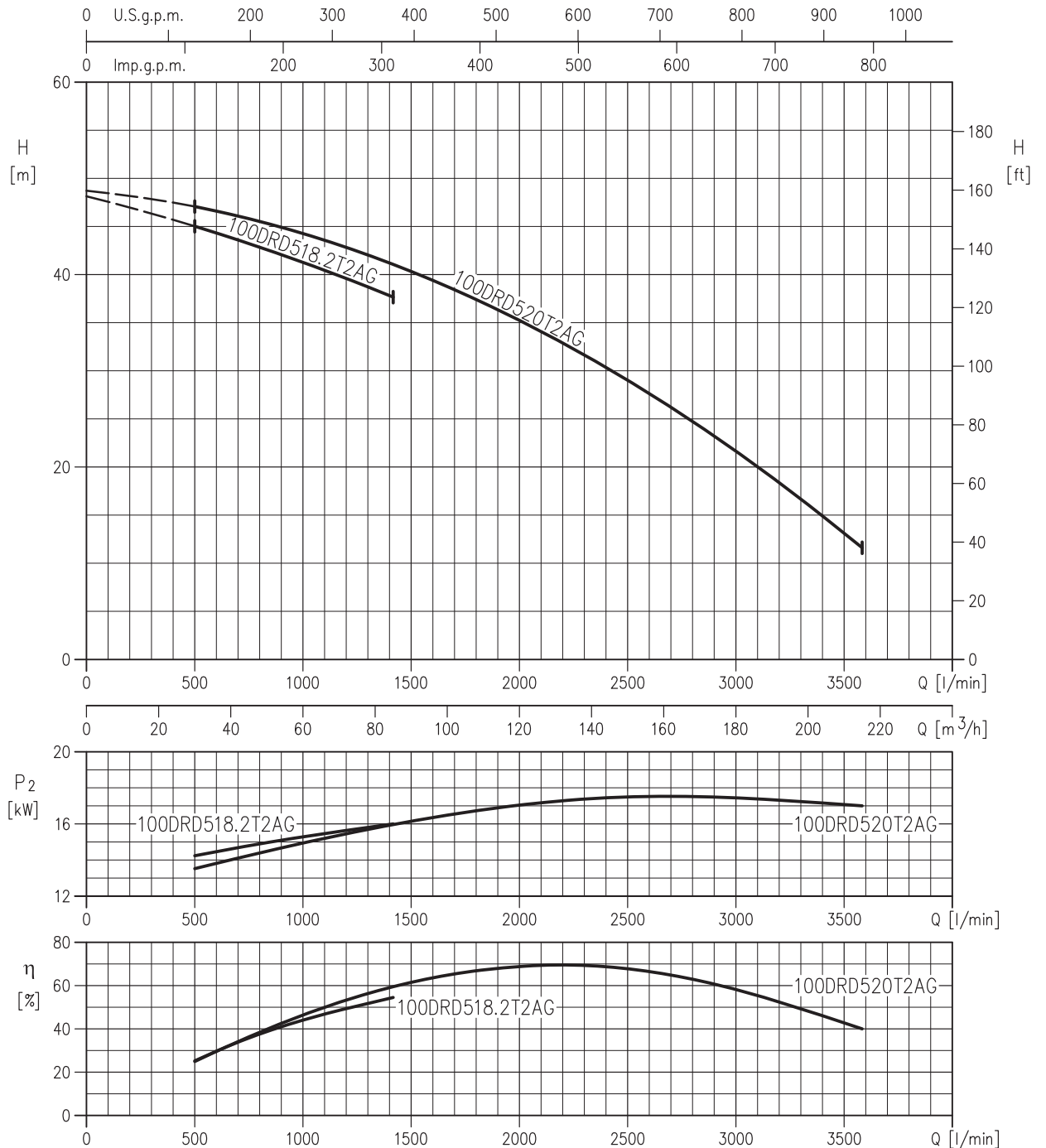
Rotation speed  $\approx 1450 \text{ min}^{-1}$   
 Test standard: ISO 9906 – Annex A

**100DRD512T2DG (12 kW)**  
**100DRD514.9T2CG (14.9 kW)**  
**100DRD516.6T2BG (16.6 kW)**



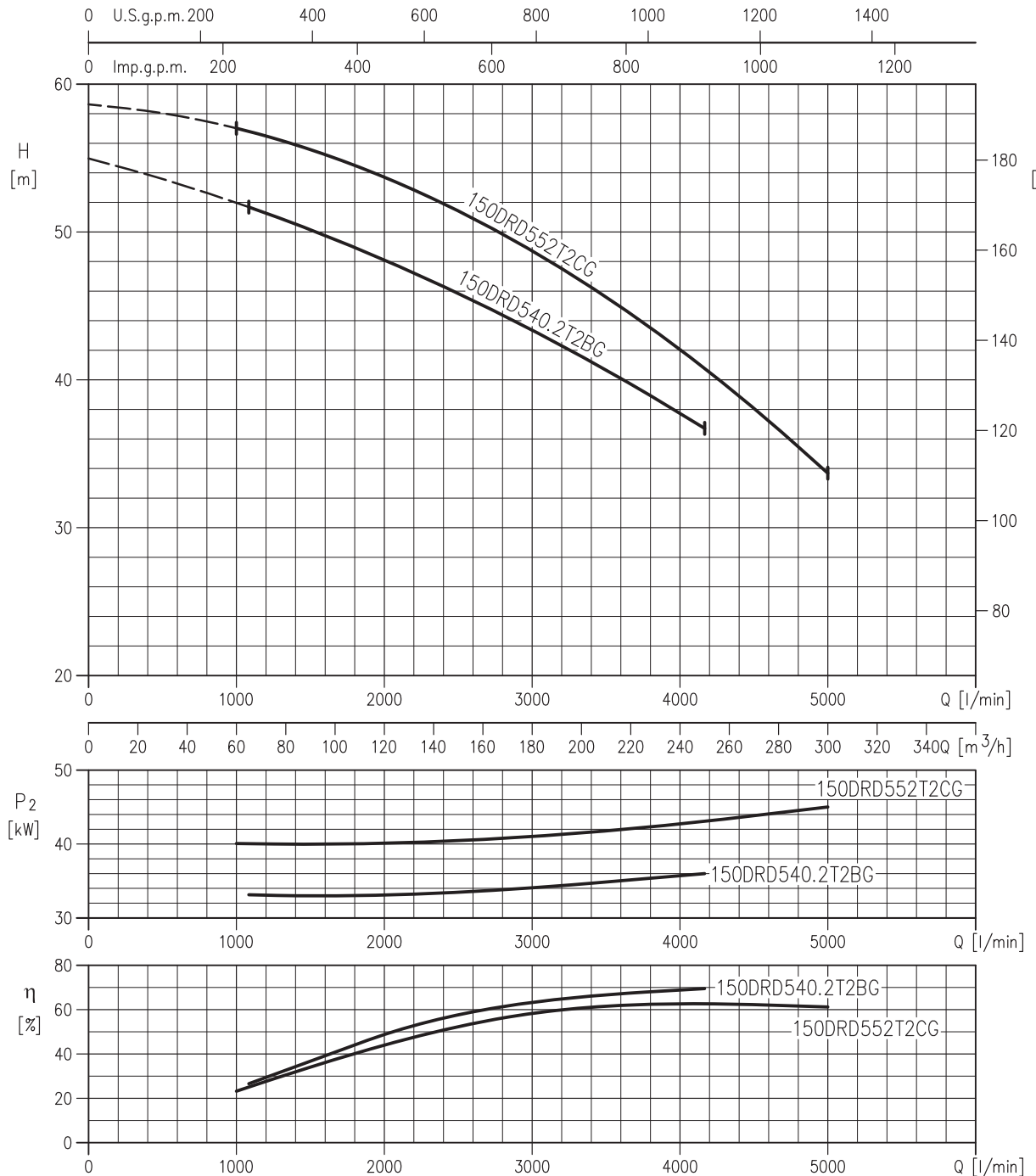
Rotation speed  $\approx 2850 \text{ min}^{-1}$   
 Test standard: ISO 9906 – Annex A

**100DRD518.2T2AG (18.2 kW)**  
**100DRD520T2AG (20 kW)**



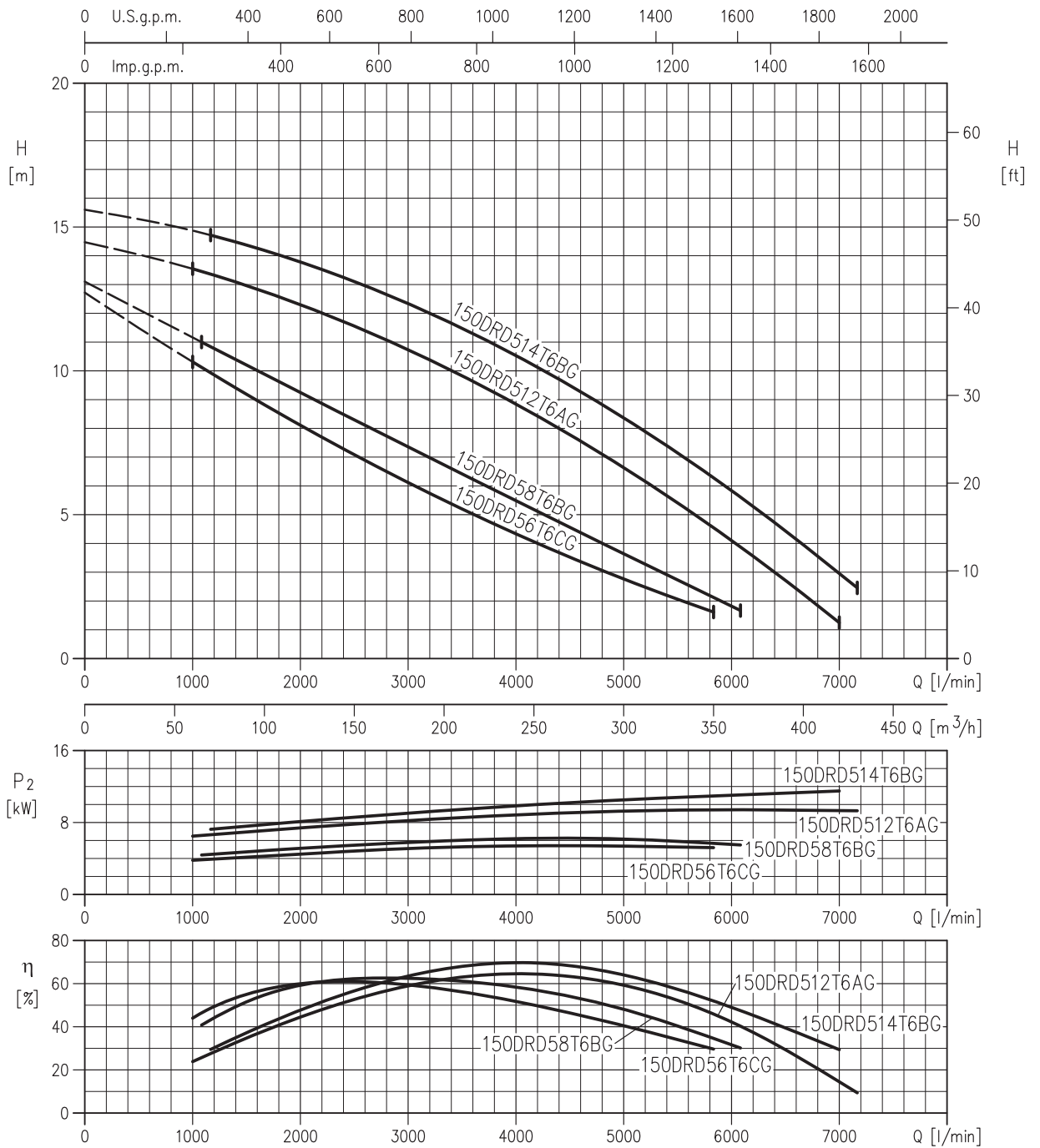
Rotation speed ≈ 2850 min<sup>-1</sup>  
 Test standard: ISO 9906 – Annex A

**150DRD540.2T2BG (40.2 kW)**  
**150DRD552T2CG (52 kW)**



Rotation speed  $\approx 2900 \text{ min}^{-1}$   
 Test standard: ISO 9906 – Annex A

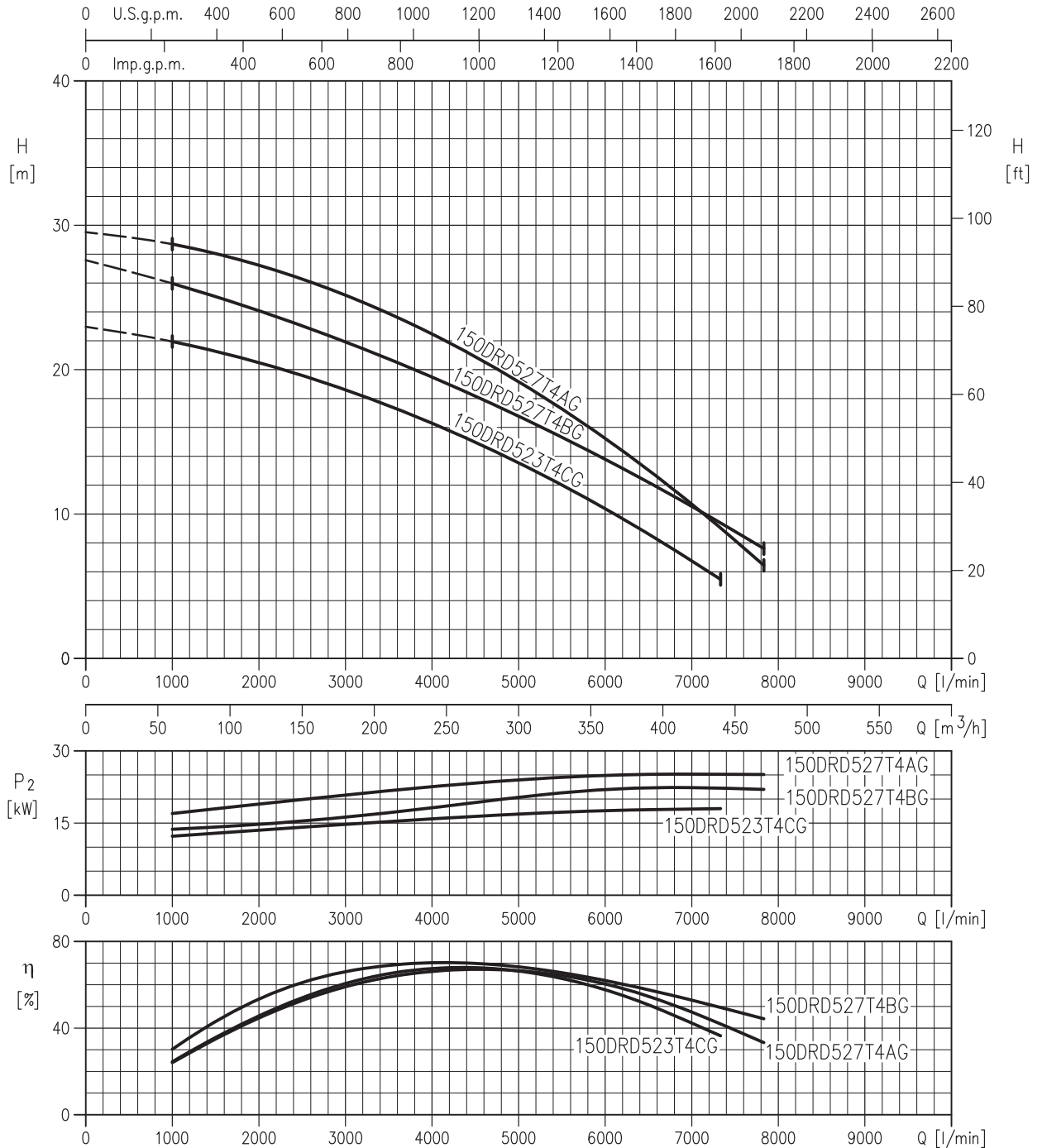
**150DRD56T6CG (6.0 kW)**  
**150DRD58T6BG (8.0 kW)**  
**150DRD512T6AG (12 kW)**  
**150DRD514T6BG (14 kW)**



Rotation speed  $\approx 950 \text{ min}^{-1}$   
 Test standard: ISO 9906 – Annex A

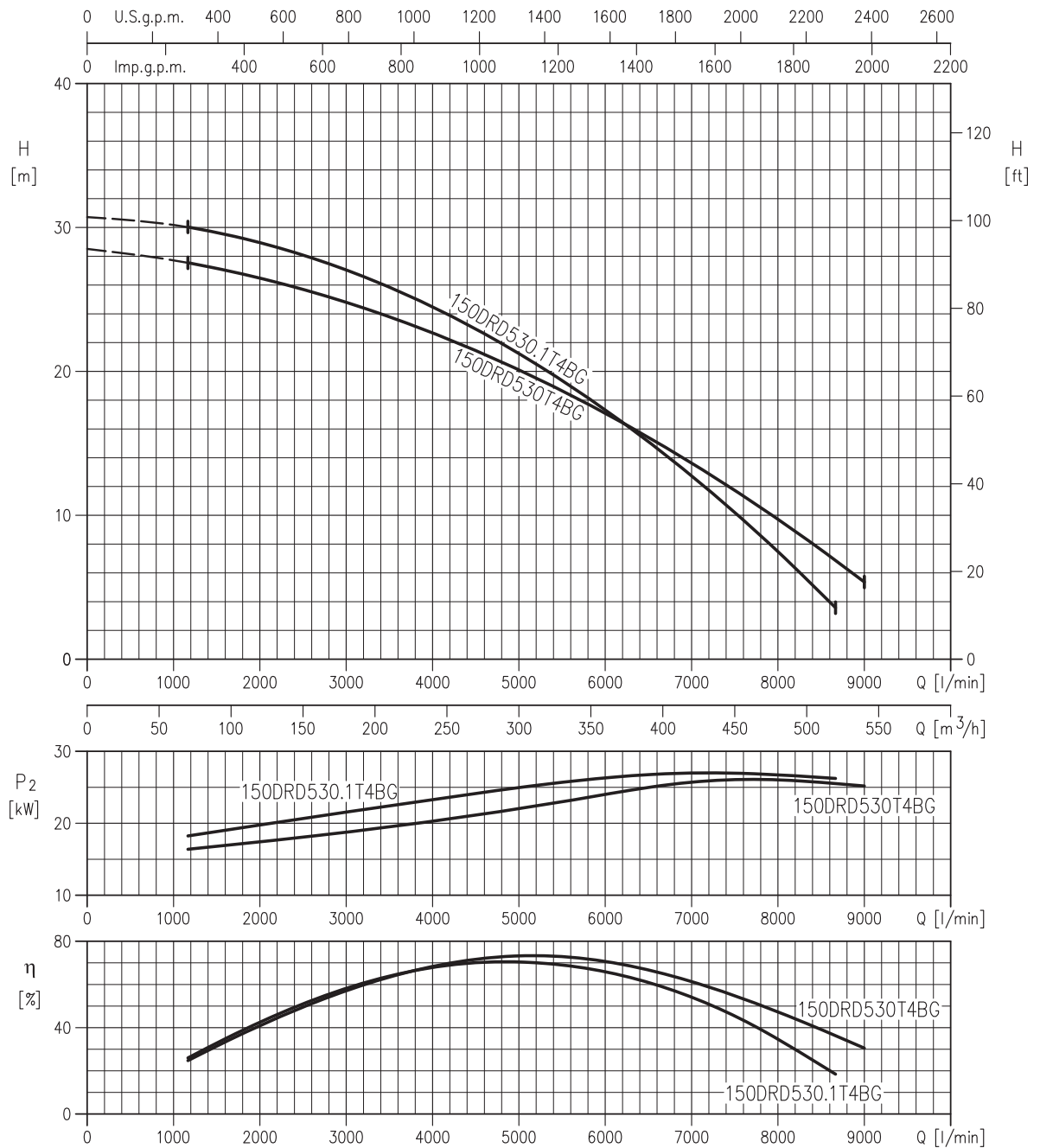


**150DRD523T4CG (23 kW)**  
**150DRD527T4BG (27 kW)**  
**150DRD527T4AG (27 kW)**



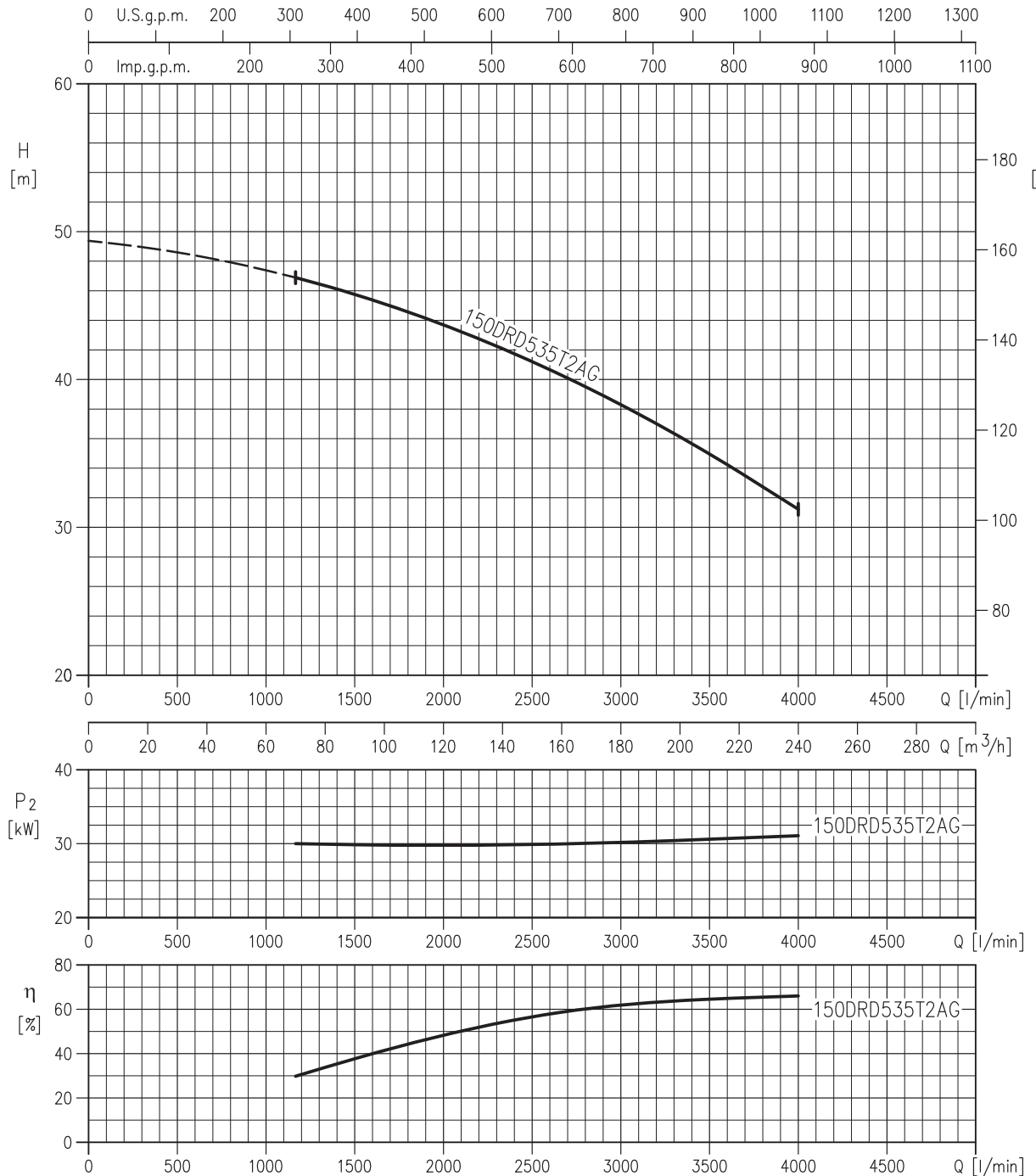
Rotation speed  $\approx 1450 \text{ min}^{-1}$   
 Test standard: ISO 9906 – Annex A

**150DRD530T4BG (30 kW)**  
**150DRD530.1T4BG (30.1 kW)**



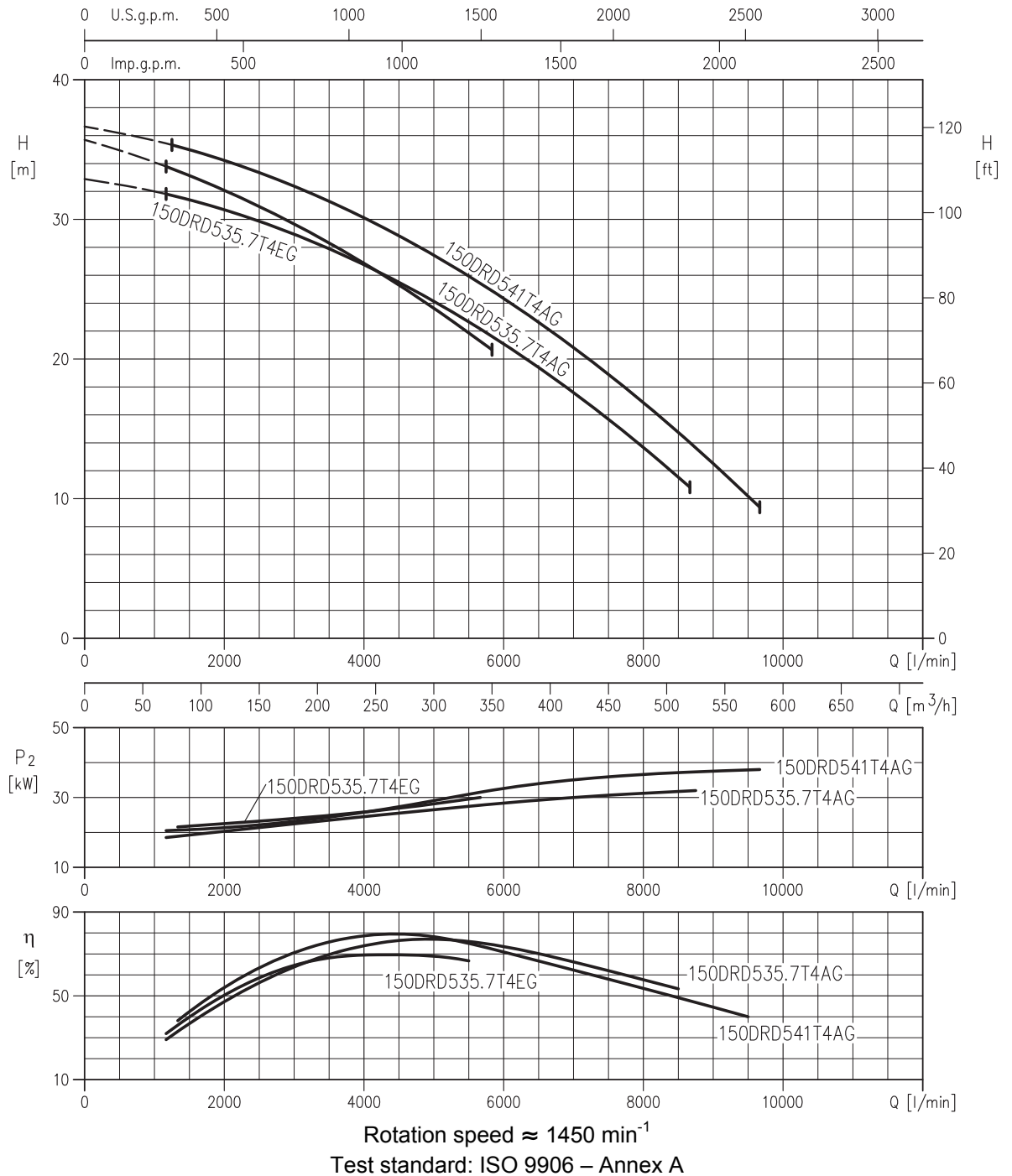
Rotation speed  $\approx 1450 \text{ min}^{-1}$   
 Test standard: ISO 9906 – Annex A

150DRD535T2AG (35 kW)

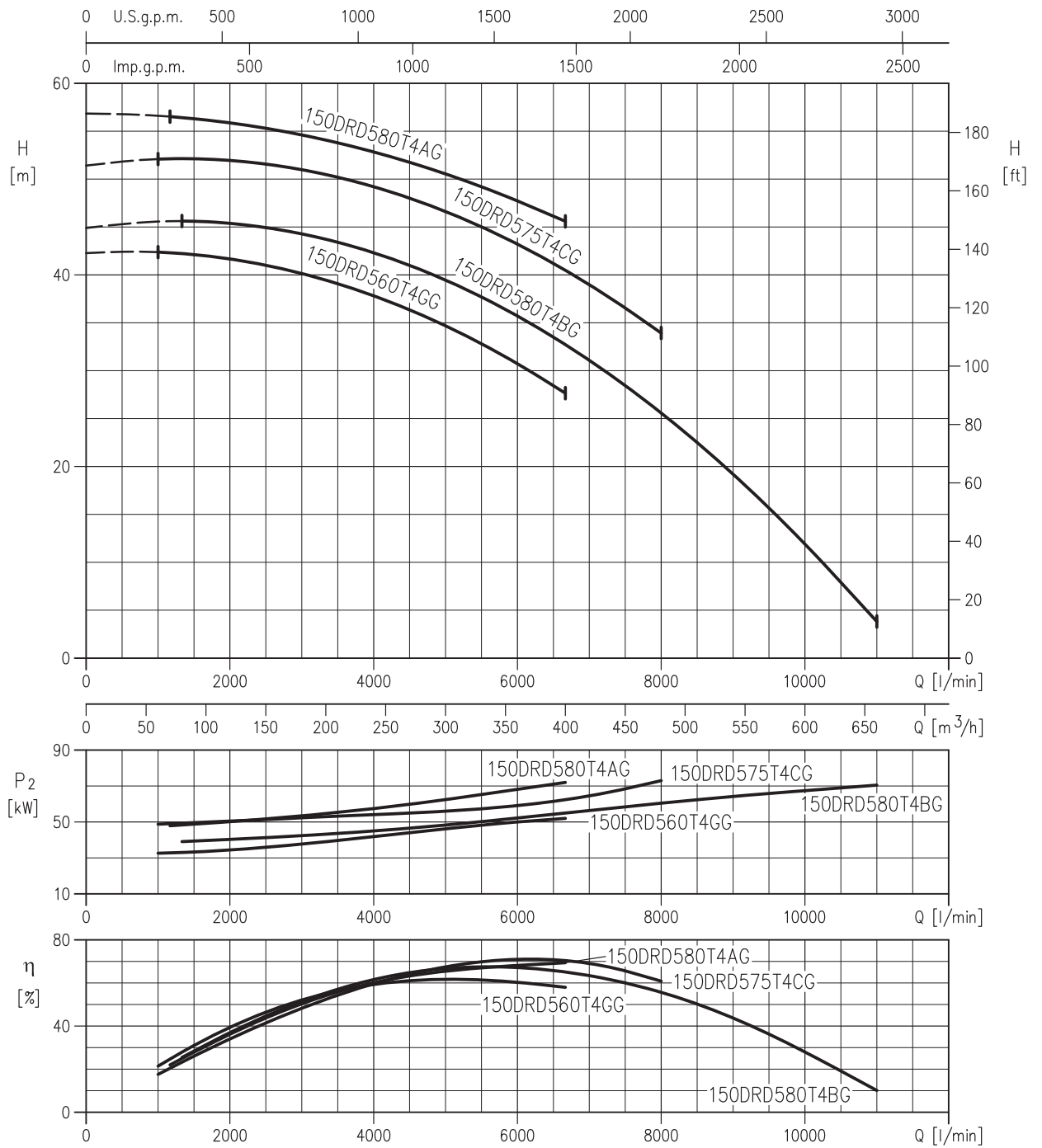


Rotation speed  $\approx 2900 \text{ min}^{-1}$   
 Test standard: ISO 9906 – Annex A

**150DRD535.7T4EG (35.7 kW)**  
**150DRD535.7T4AG (35.7 kW)**  
**150DRD541T4AG (41 kW)**

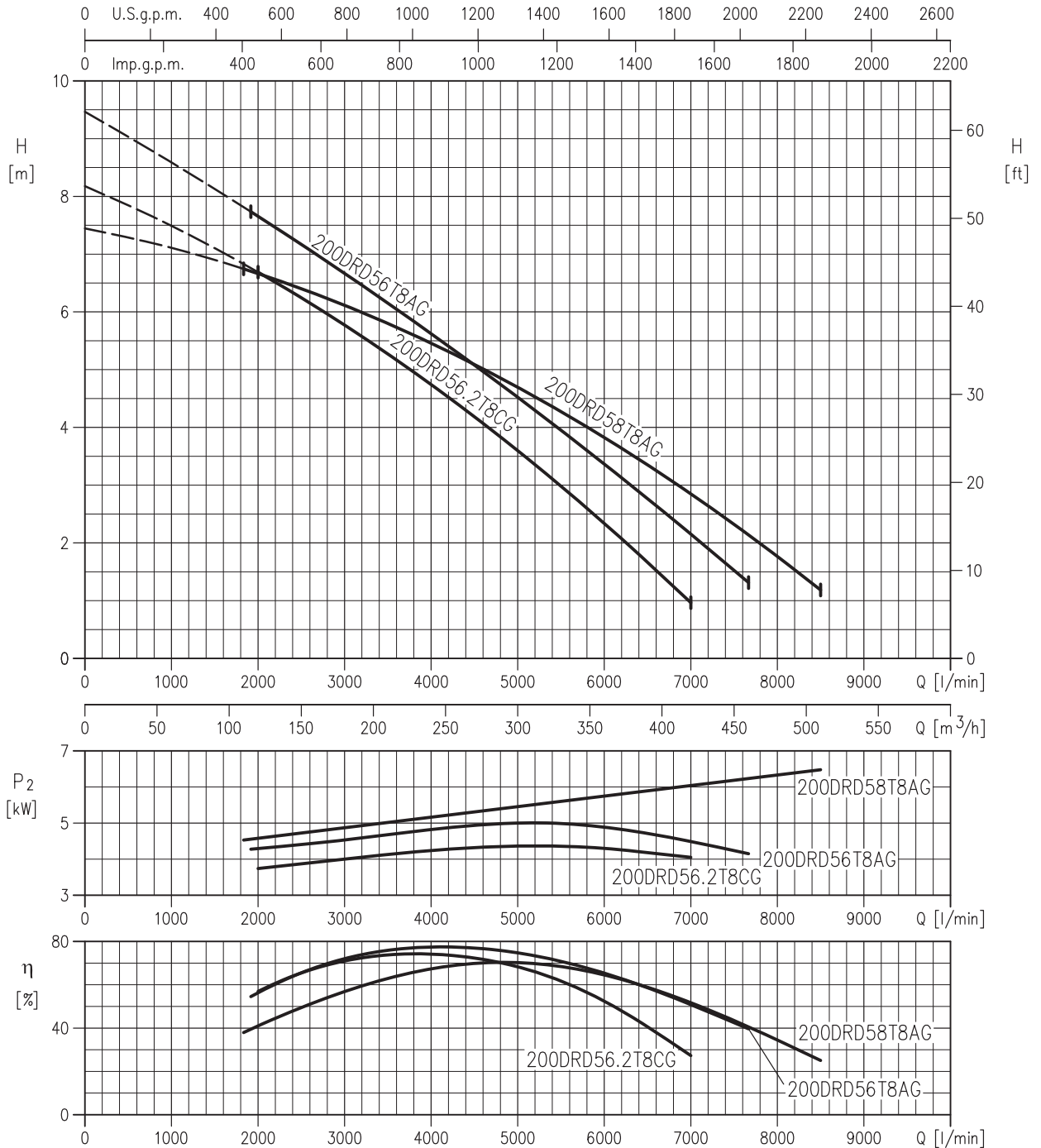


**150DRD560T4GG (60 kW)**  
**150DRD575T4CG (75 kW)**  
**150DRD580T4BG (80 kW)**  
**150DRD580T4AG (80 kW)**



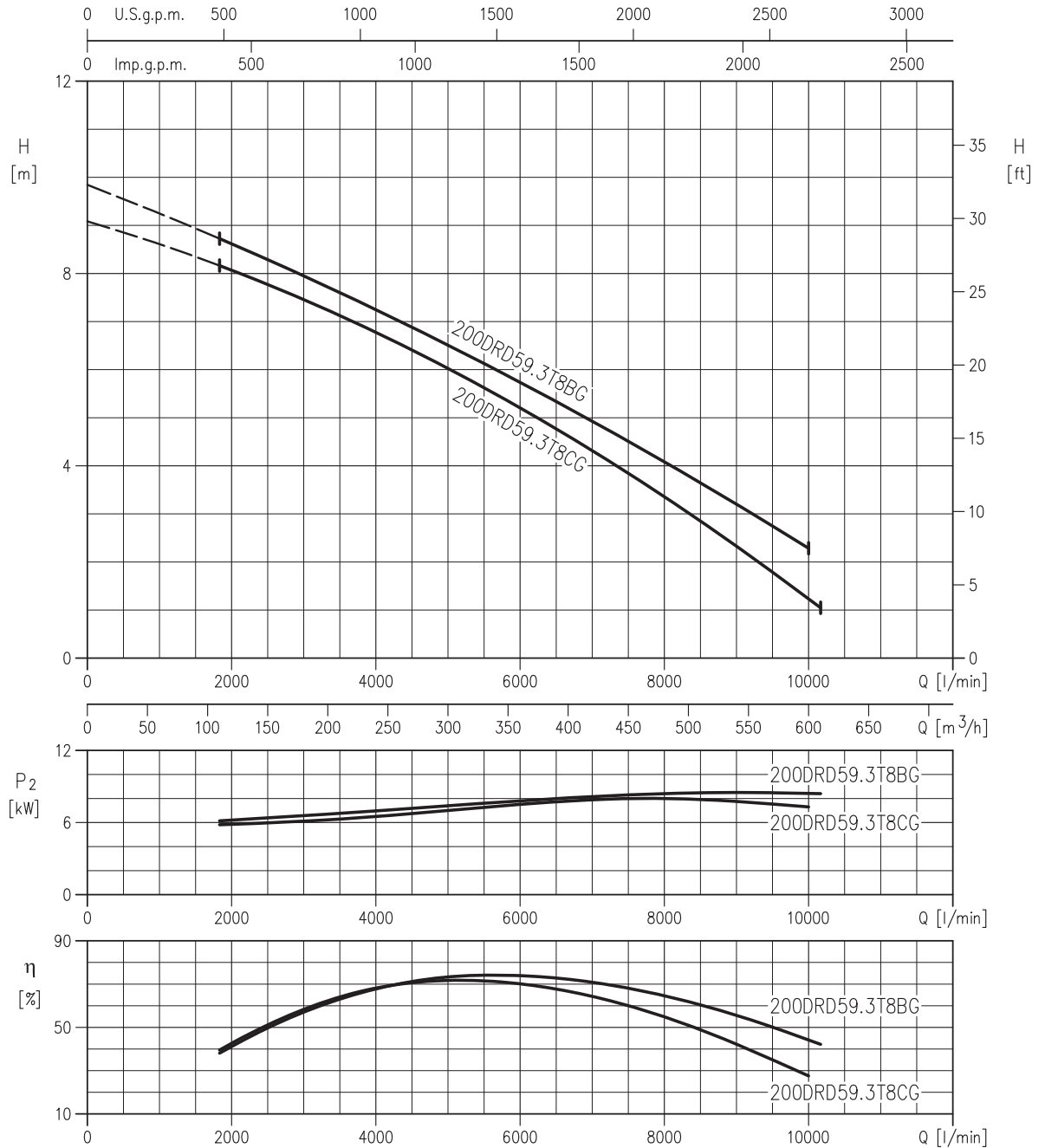
Rotation speed  $\approx 1450 \text{ min}^{-1}$   
 Test standard: ISO 9906 – Annex A

**200DRD56T8AG (6.0 kW)**  
**200DRD56.2T8CG (6.2 kW)**  
**200DRD58T8AG (8.0 kW)**



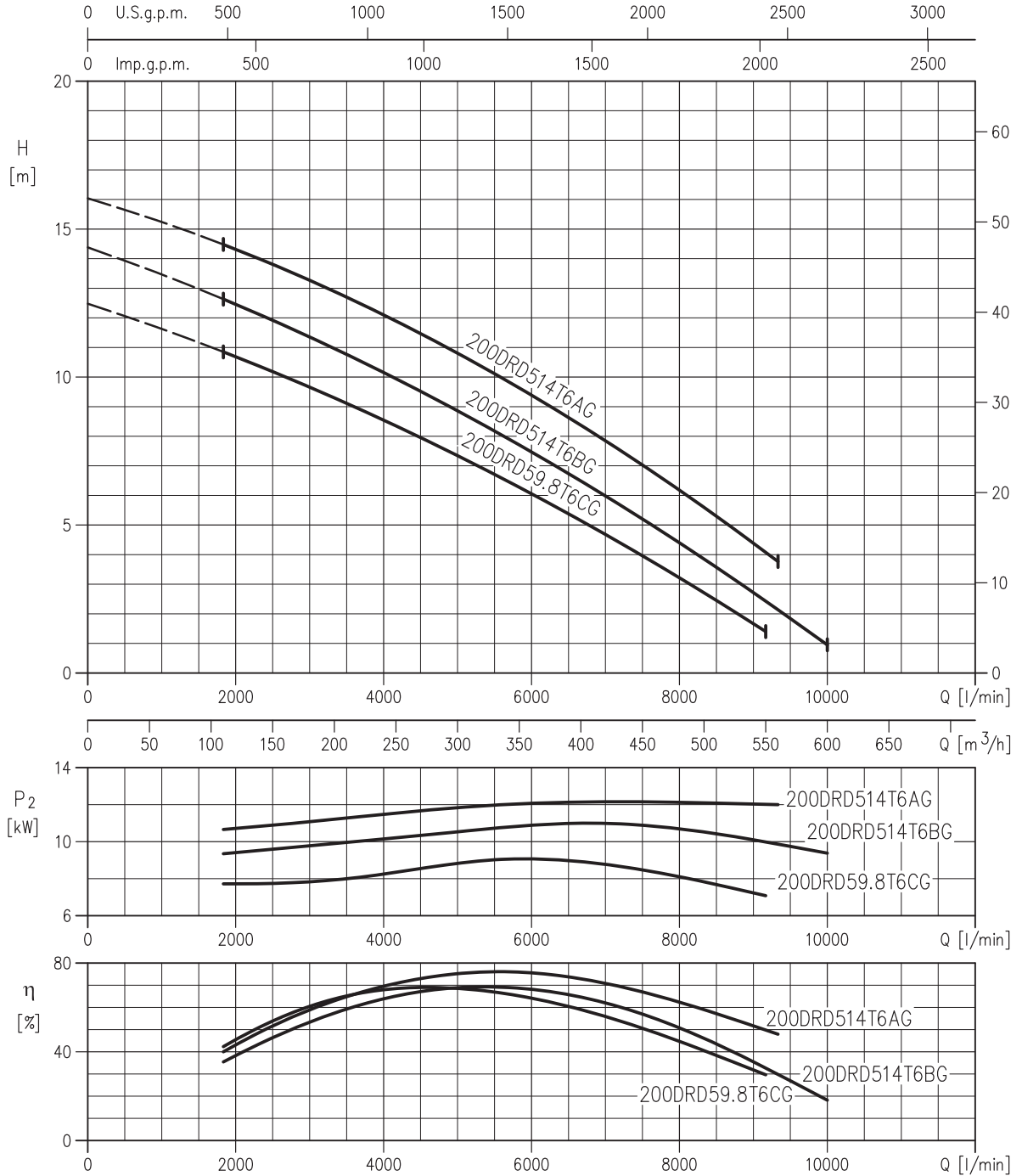
Rotation speed  $\approx 700 \text{ min}^{-1}$   
 Test standard: ISO 9906 – Annex A

**200DRD59.3T8CG (9.3 kW)**  
**200DRD59.3T8BG (9.3 kW)**



Rotation speed ≈ 700 min<sup>-1</sup>  
 Test standard: ISO 9906 – Annex A

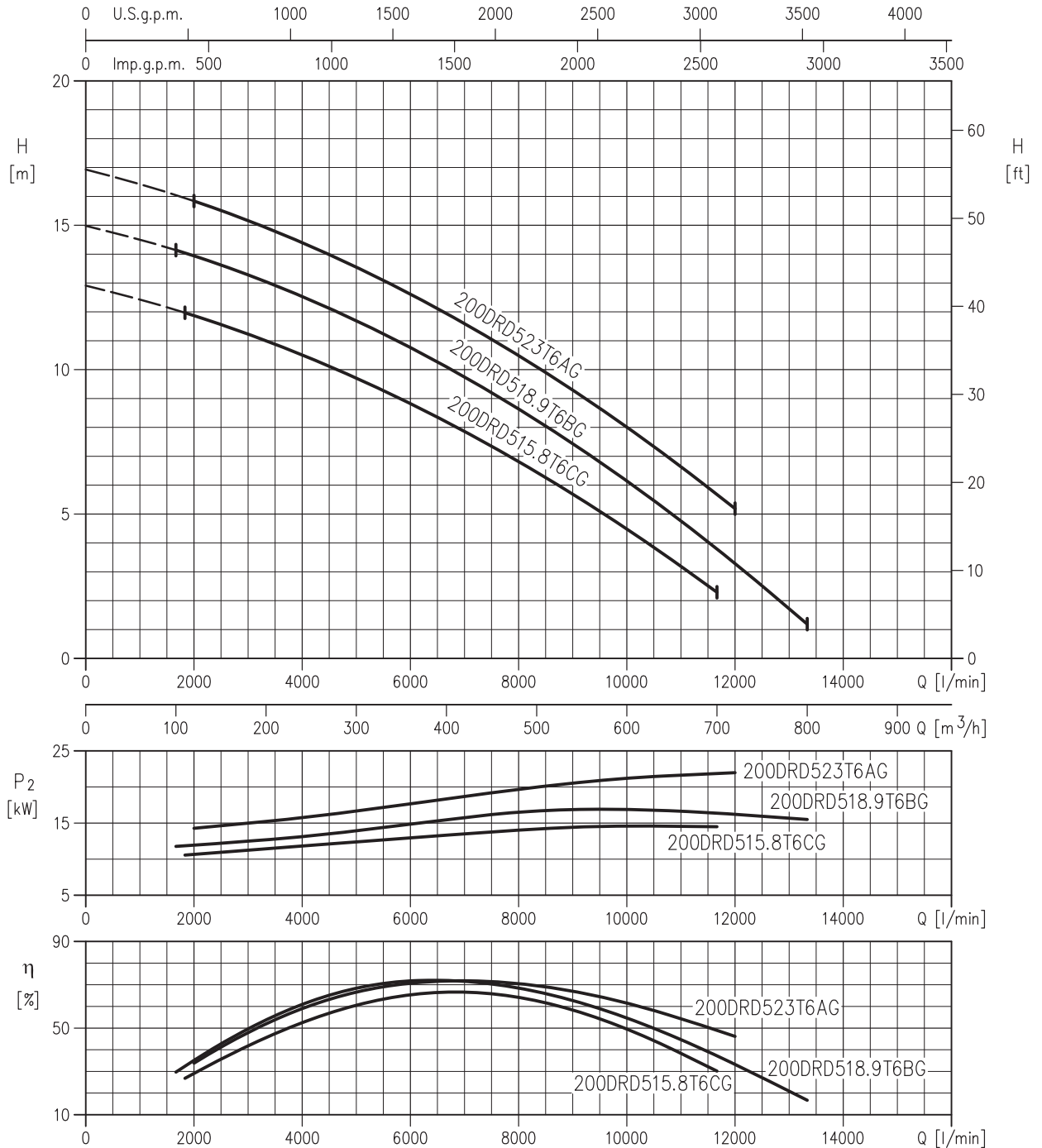
**200DRD59.8T6CG (9.8 kW)**  
**200DRD514T6BG (14 kW)**  
**200DRD514T6AG (14 kW)**



Rotation speed  $\approx 950 \text{ min}^{-1}$   
 Test standard: ISO 9906 – Annex A

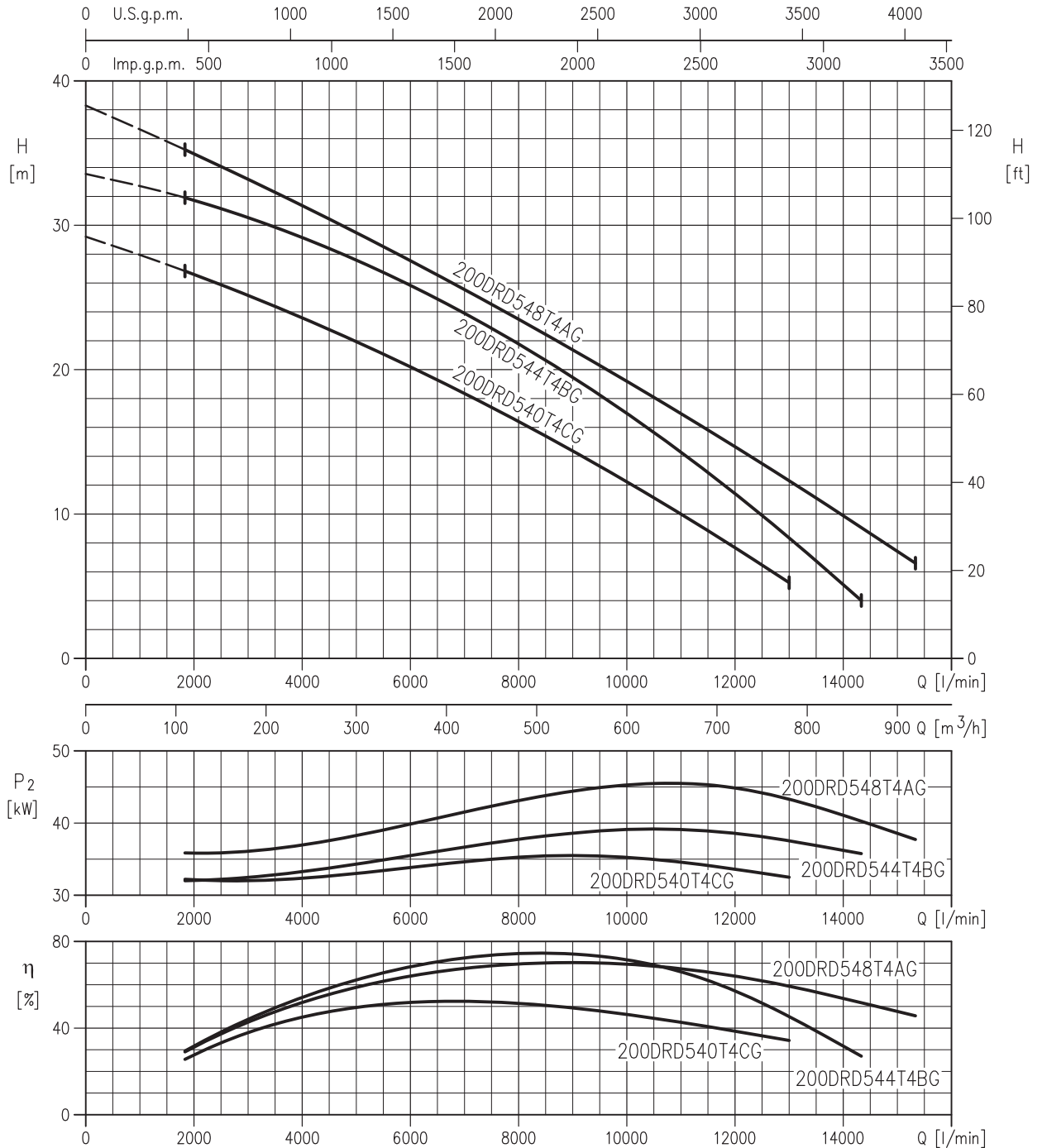


**200DRD515.8T6CG (15.8 kW)**  
**200DRD518.9T6BG (18.9 kW)**  
**200DRD523T6AG (23 kW)**



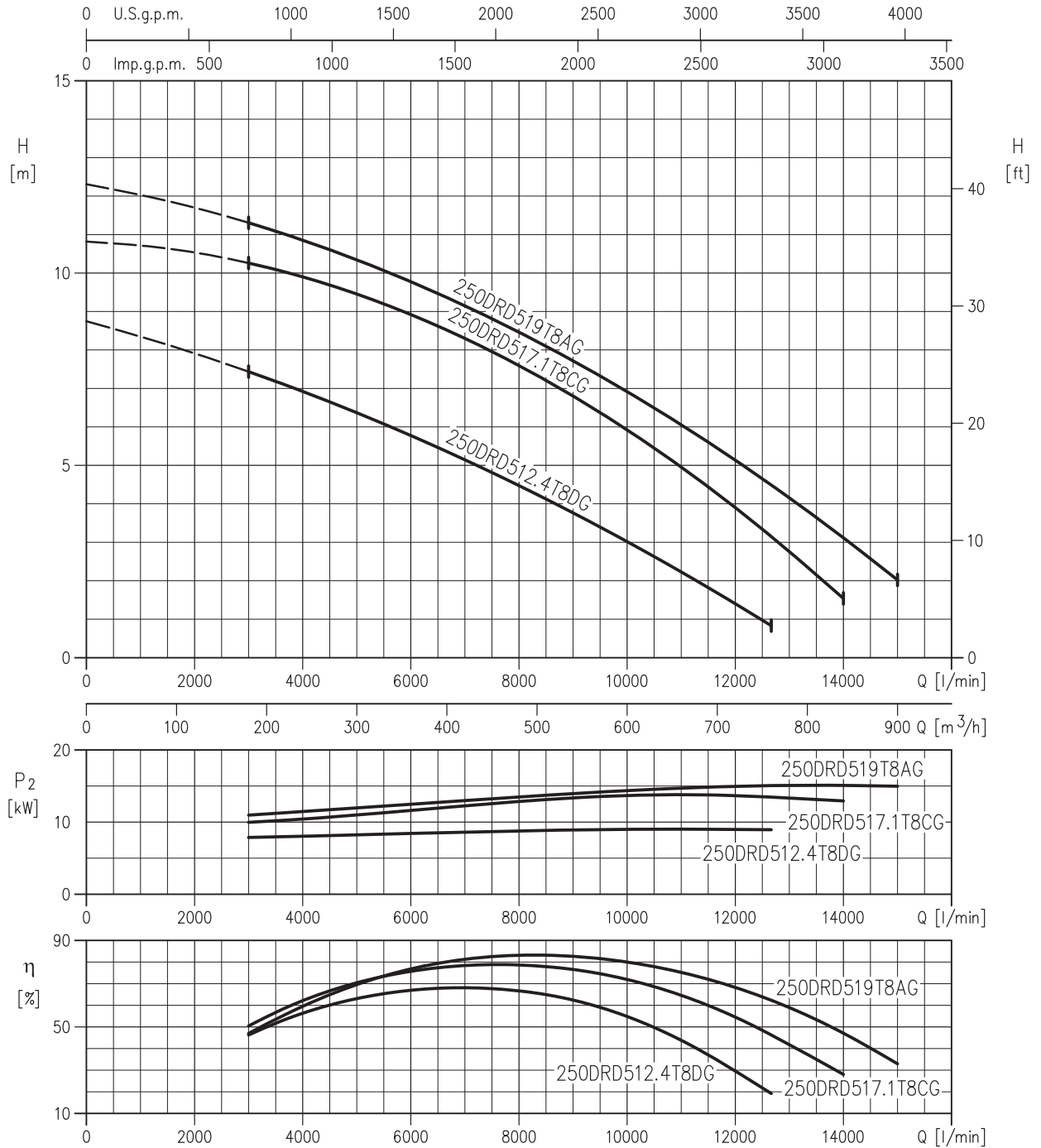
Rotation speed  $\approx 950 \text{ min}^{-1}$   
 Test standard: ISO 9906 – Annex A

**200DRD540T4CG (40 kW)**  
**200DRD544T4BG (44 kW)**  
**200DRD548T4AG (48 kW)**

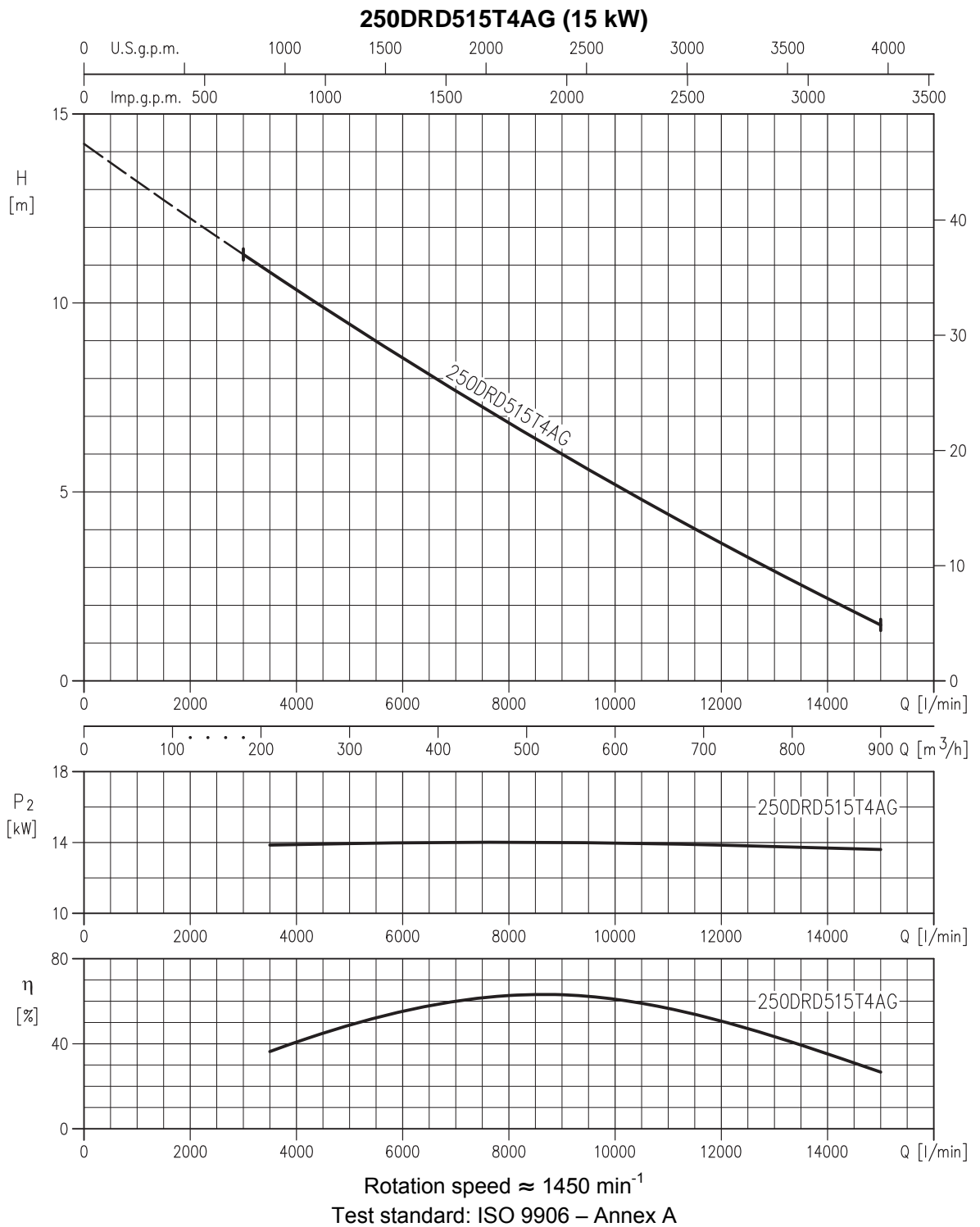


Rotation speed  $\approx 1450 \text{ min}^{-1}$   
 Test standard: ISO 9906 – Annex A

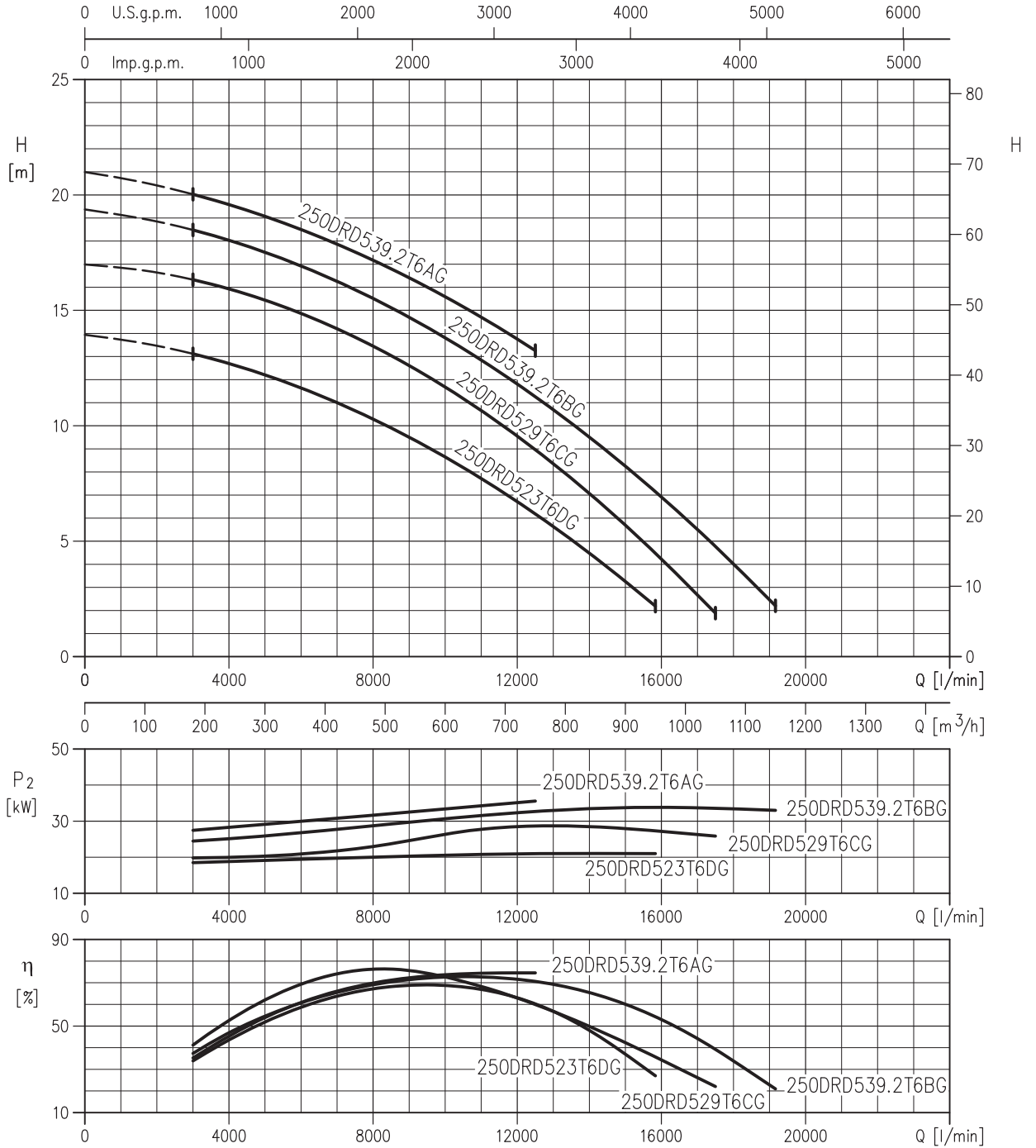
**250DRD512.4T8DG (12.4 kW)**  
**250DRD517.1T8CG (17.1 kW)**  
**250DRD519T8AG (19 kW)**



Rotation speed  $\approx 700 \text{ min}^{-1}$   
 Test standard: ISO 9906 – Annex A

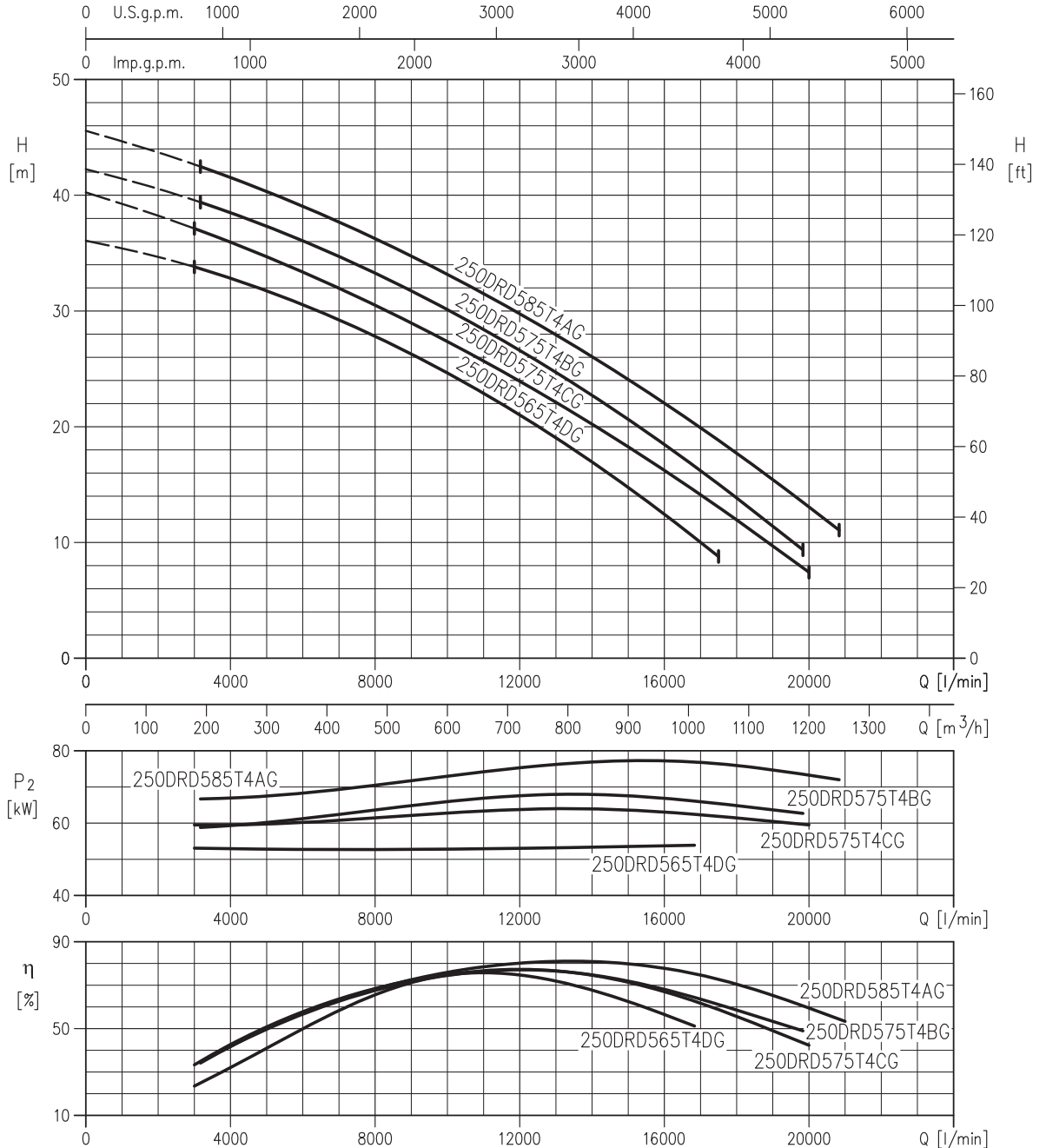


**250DRD523T6DG (23 kW)**  
**250DRD529T6CG (29 kW)**  
**250DRD539.2T6BG (39.2 kW)**  
**250DRD539.2T6AG (39.2 kW)**



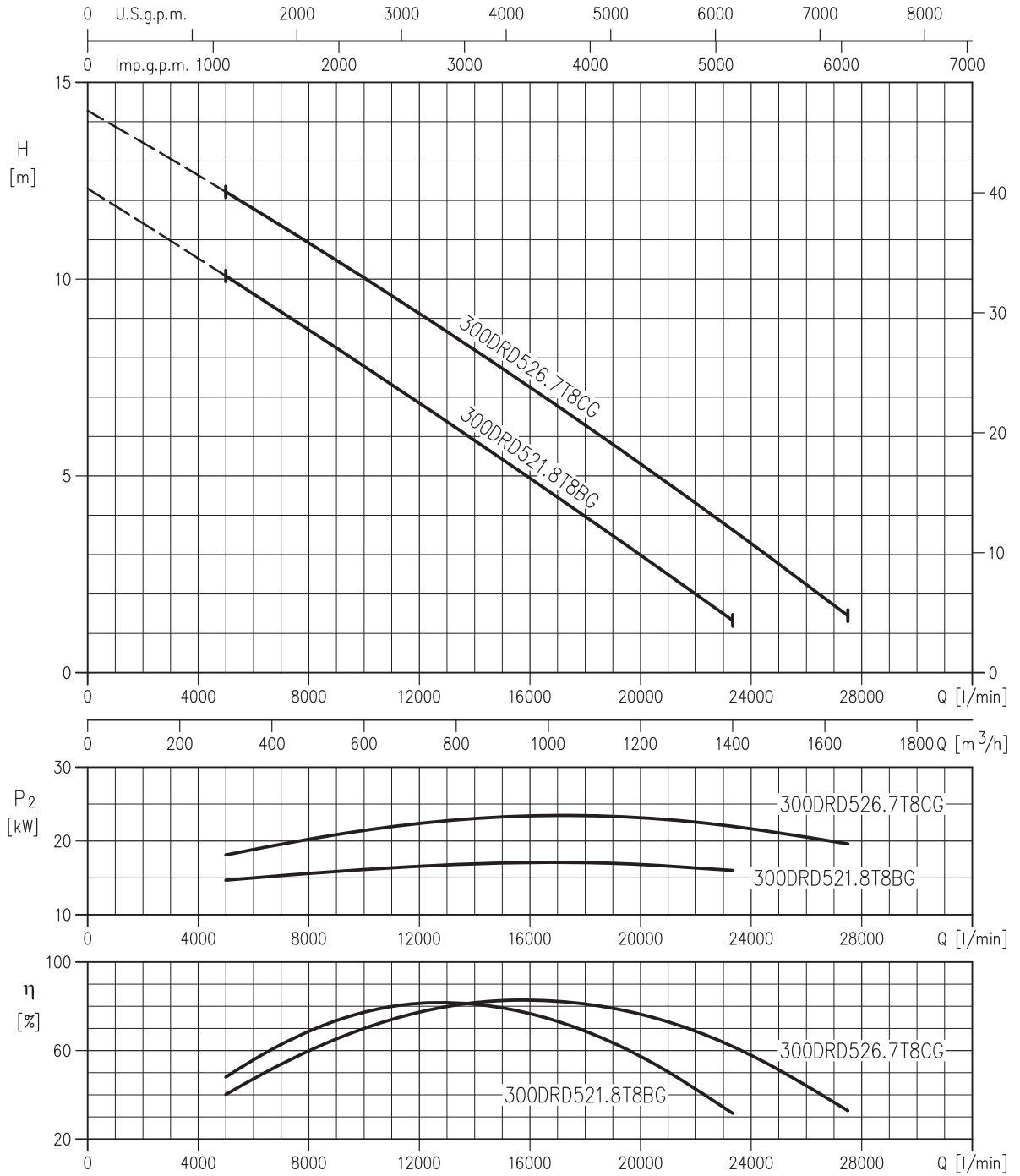
Rotation speed  $\approx 950 \text{ min}^{-1}$   
 Test standard: ISO 9906 – Annex A

250DRD565T4DG (65 kW)  
 250DRD575T4CG (75 kW)  
 250DRD575T4BG (75 kW)  
 250DRD585T4AG (85 kW)



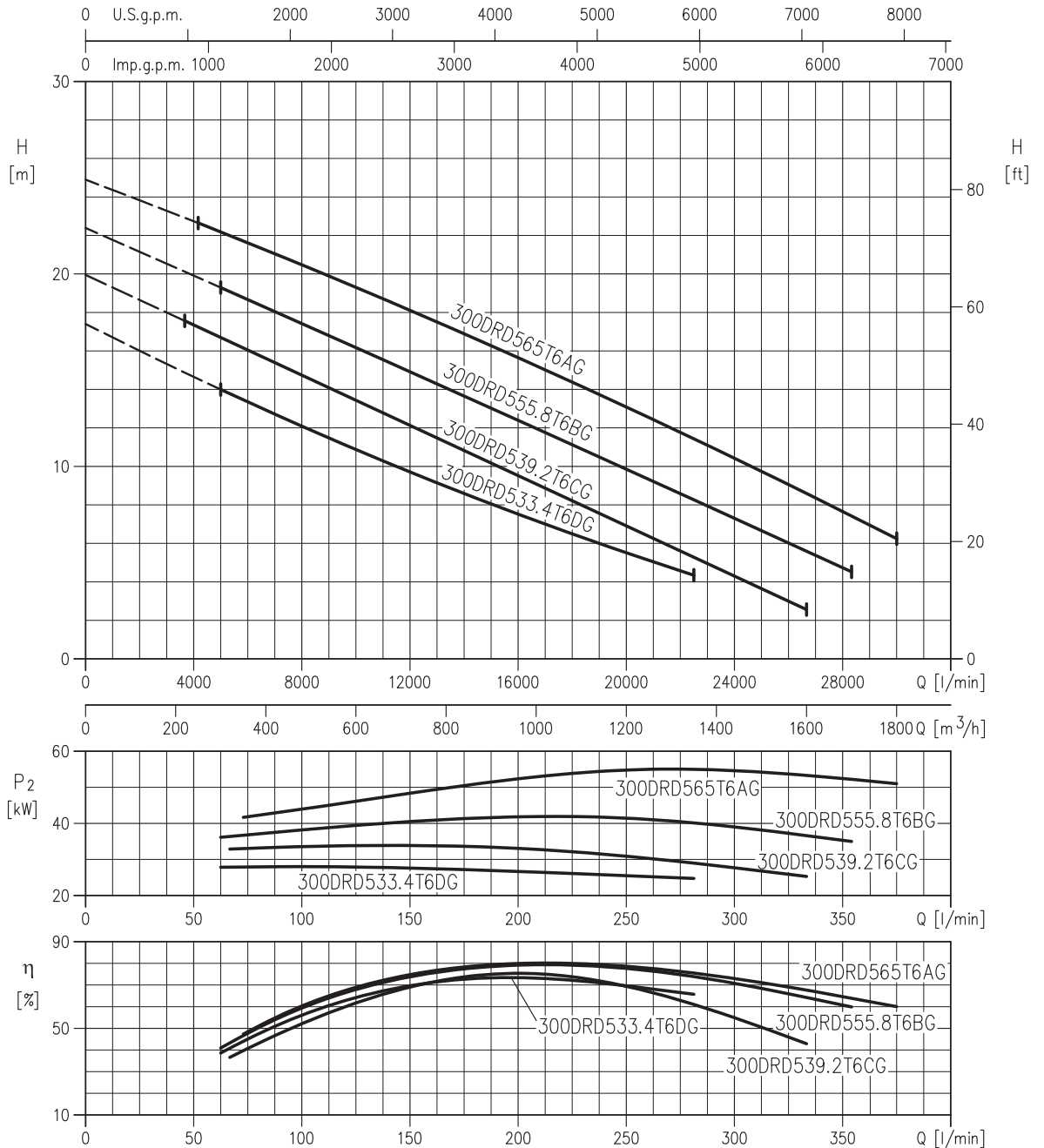
Rotation speed  $\approx 1450 \text{ min}^{-1}$   
 Test standard: ISO 9906 – Annex A

**300DRD521.8T8BG (21.8 kW)**  
**300DRD526.7T8CG (26.7 kW)**



Rotation speed  $\approx 700 \text{ min}^{-1}$   
 Test standard: ISO 9906 – Annex A

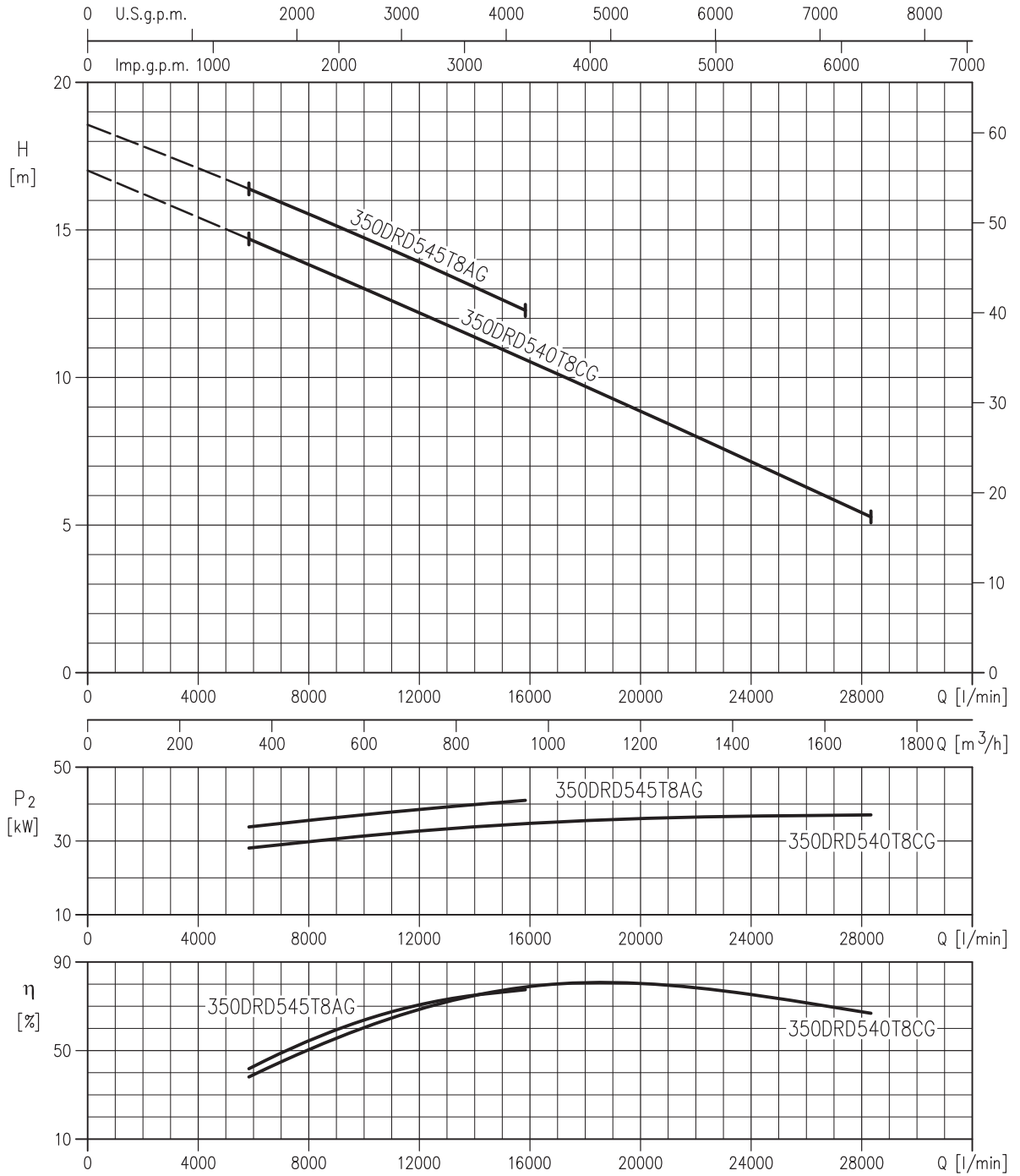
**300DRD533.4T6DG (33.4 kW)**  
**300DRD539.2T6CG (39.2 kW)**  
**300DRD555.8T6BG (55.8 kW)**  
**300DRD565T6AG (65 kW)**



Rotation speed  $\approx 950 \text{ min}^{-1}$   
 Test standard: ISO 9906 – Annex A

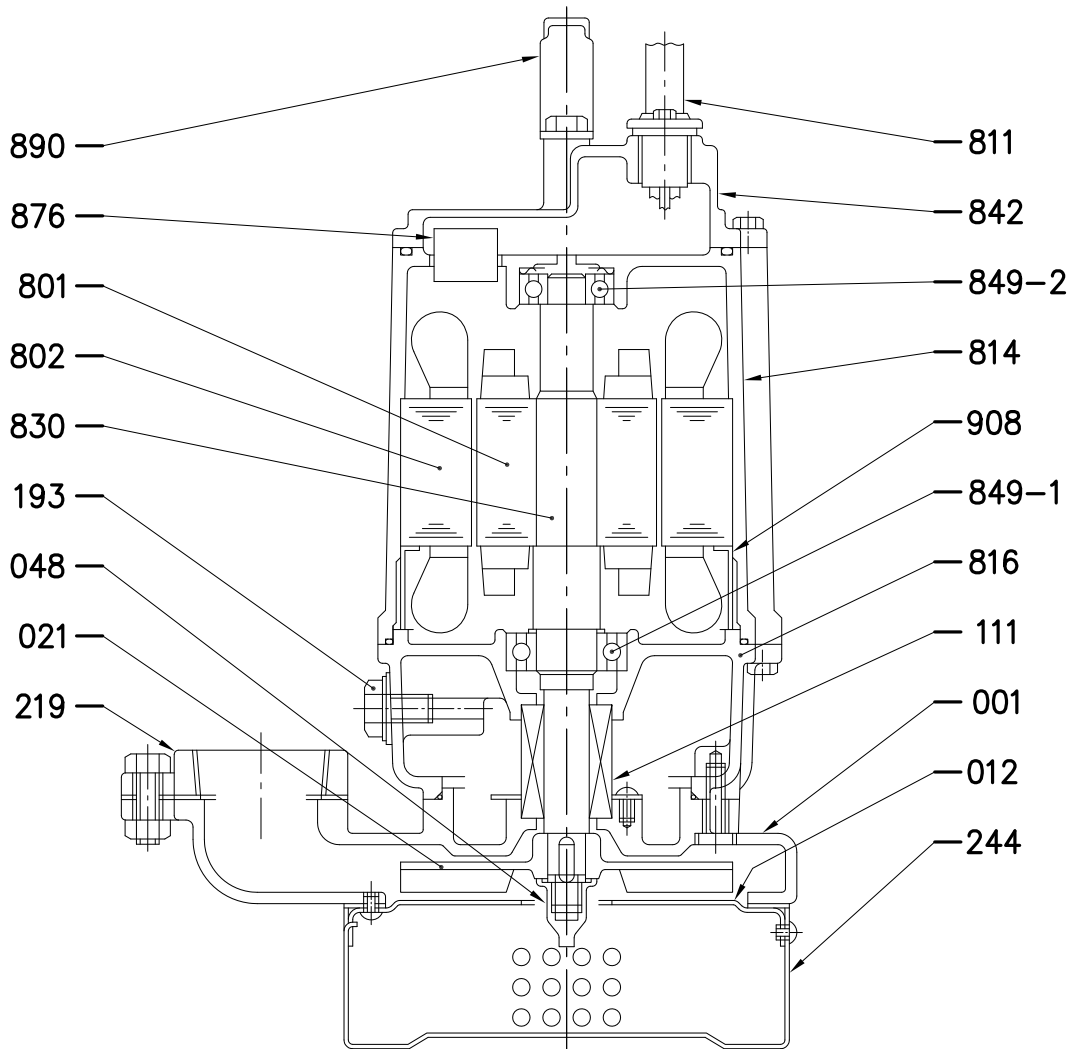


**350DRD540T8CG (40 kW)**  
**350DRD545T8AG (45 kW)**



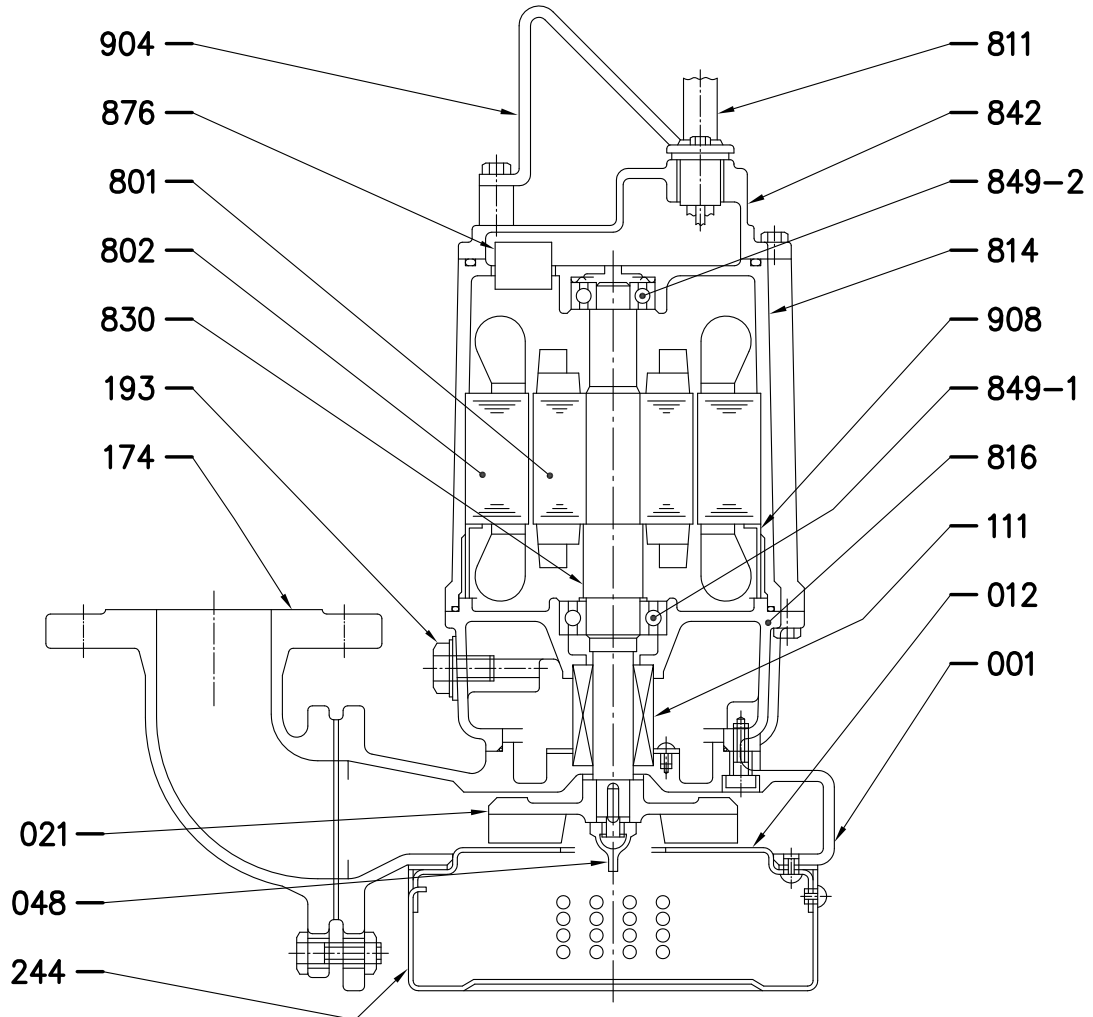
Rotation speed  $\approx 700 \text{ min}^{-1}$   
 Test standard: ISO 9906 – Annex A

50DS (1.5kW)



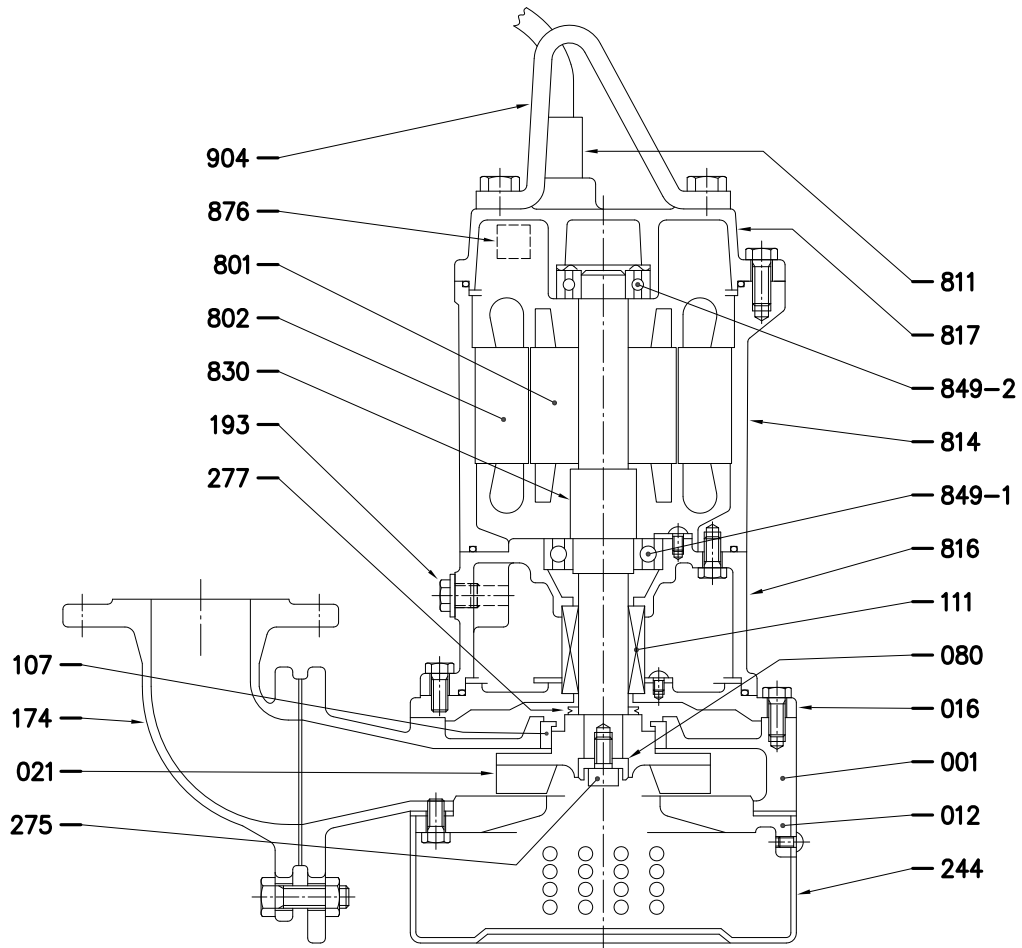
| N°  | PART. NAME       | MATERIAL                         | Q.TY | N°    | PART. NAME         | MATERIAL                         | Q.TY |
|-----|------------------|----------------------------------|------|-------|--------------------|----------------------------------|------|
| 001 | CASING           | Cast iron<br>EN-GHJL-200-EN 1561 | 1    | 811   | SUBMERSIBLE CABLE  | -                                | 1    |
| 012 | SUCTION COVER    | EN 1.4301 (AISI304)              | 1    | 814   | MOTOR FRAME        | Cast iron<br>EN-GHJL-200-EN 1561 | 1    |
| 021 | IMPELLER         | Cast iron<br>EN-GHJL-200-EN 1561 | 1    | 816   | POWER SIDE BRACKET | Cast iron<br>EN-GHJL-200-EN 1561 | 1    |
| 048 | IMPELLER NUT     | Brass                            | 1    | 830   | SHAFT              | EN 1.4006 (AISI403)              | 1    |
| 111 | MECHANICAL SEAL  | -                                | 1    | 842   | MOTOR COVER        | Cast iron<br>EN-GHJL-200-EN 1561 | 1    |
| 193 | OIL PLUG         | NBR/EN 1.4301<br>(AISI304)       | 1    | 849-1 | BALL BEARING       | -                                | 1    |
| 219 | COMPANION FLANGE | Cast iron<br>EN-GHJL-200-EN 1561 | 1    | 849-2 | BALL BEARING       | -                                | 1    |
| 244 | STRAINER         | EN 1.4301 (AISI304)              | 1    | 876   | PROTECTOR          | -                                | 1    |
| 801 | ROTOR            | -                                | 1    | 890   | HANDLE             | Stainless steel                  | 1    |
| 802 | STATOR           | -                                | 1    | 908   | SPACER             | Steel                            | 1    |

65DS (1.5kW)

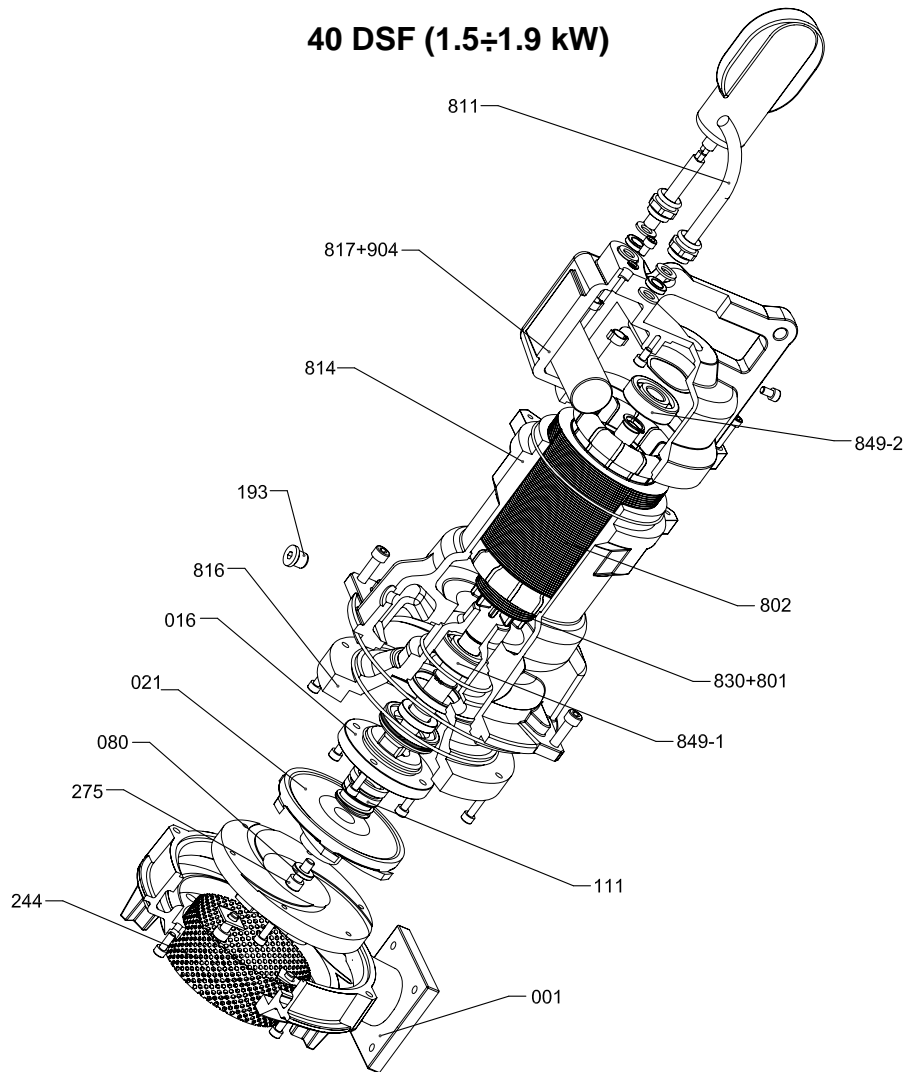


| N°  | PART. NAME      | MATERIAL                         | Q.TY | N°    | PART. NAME         | MATERIAL                         | Q.TY |
|-----|-----------------|----------------------------------|------|-------|--------------------|----------------------------------|------|
| 001 | CASING          | Cast iron<br>EN-GHJL-200-EN 1561 | 1    | 811   | SUBMERSIBLE CABLE  | -                                | 1    |
| 012 | SUCTION COVER   | EN 1.4301 (AISI304)              | 1    | 814   | MOTOR FRAME        | Cast iron<br>EN-GHJL-200-EN 1561 | 1    |
| 021 | IMPELLER        | Cast iron<br>EN-GHJL-200-EN 1561 | 1    | 816   | POWER SIDE BRACKET | Cast iron<br>EN-GHJL-200-EN 1561 | 1    |
| 048 | IMPELLER NUT    | Brass                            | 1    | 830   | SHAFT              | EN 1.4006 (AISI403)              | 1    |
| 111 | MECHANICAL SEAL | -                                | 1    | 842   | MOTOR COVER        | Cast iron<br>EN-GHJL-200-EN 1561 | 1    |
| 174 | DISCHARGE BEND  | Cast iron<br>EN-GHJL-200-EN 1561 | 1    | 849-1 | BALL BEARING       | -                                | 1    |
| 193 | OIL PLUG        | NBR/EN 1.4301<br>(AISI304)       | 1    | 849-2 | BALL BEARING       | -                                | 1    |
| 244 | STRAINER        | EN 1.4301 (AISI304)              | 1    | 876   | PROTECTOR          | -                                | 1    |
| 801 | ROTOR           | -                                | 1    | 904   | LIFTING HANGER     | Stainless steel                  | 1    |
| 802 | STATOR          | -                                | 1    | 908   | SPACER             | Steel                            | 1    |

50(80)DS (2.2÷3.7 kW)  
100DS (5.5÷7.5 kW)

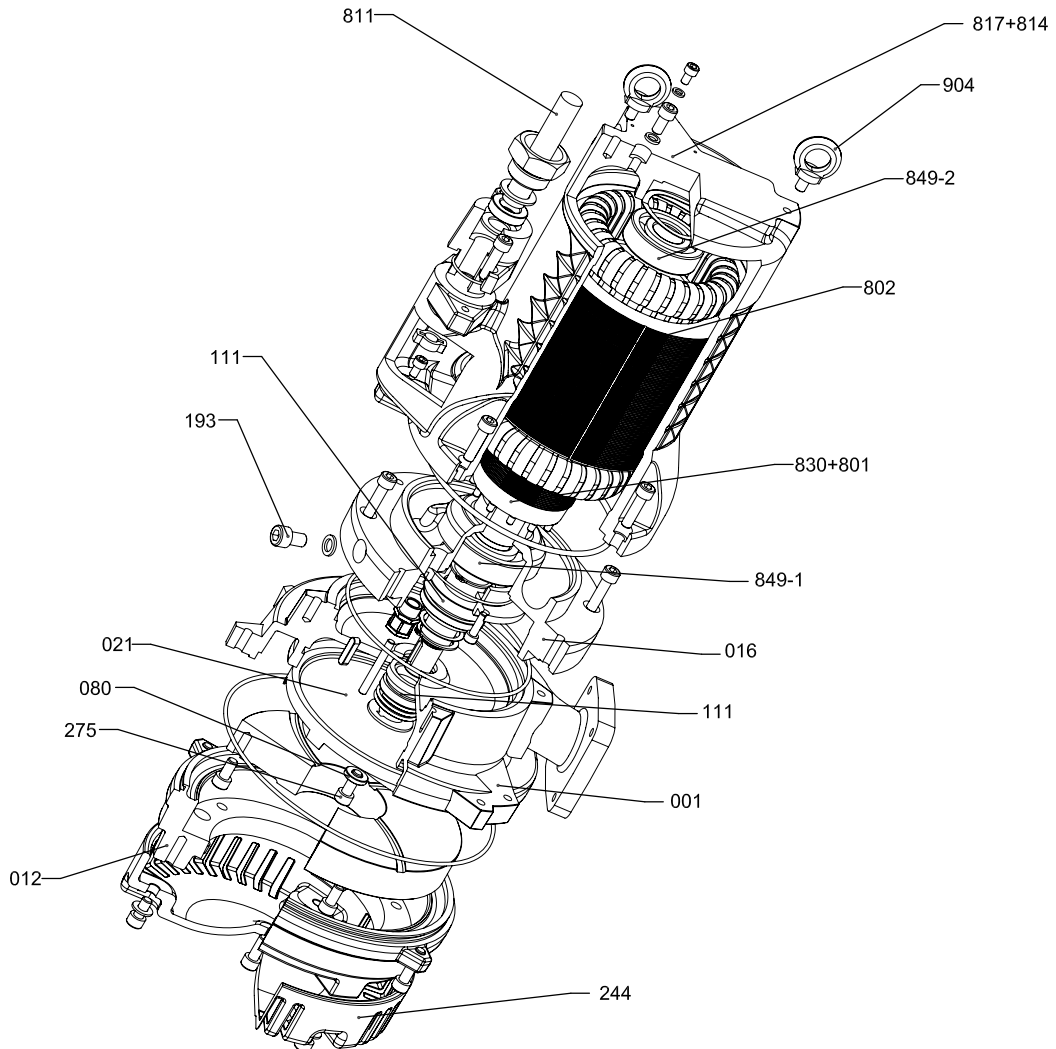


| N°  | PART. NAME            | MATERIAL                         | Q.TY | N°    | PART. NAME         | MATERIAL                         | Q.TY |
|-----|-----------------------|----------------------------------|------|-------|--------------------|----------------------------------|------|
| 001 | CASING                | Cast iron<br>EN-GHJL-200-EN 1561 | 1    | 801   | ROTOR              | -                                | 1    |
| 012 | SUCTION COVER         | Cast iron<br>EN-GHJL-200-EN 1561 | 1    | 802   | STATOR             | -                                | 1    |
| 016 | MECHANICAL SEAL COVER | Cast iron<br>EN-GHJL-200-EN 1561 | 1    | 811   | SUBMERSIBLE CABLE  | -                                | 1    |
| 021 | IMPELLER              | Cast iron<br>EN-GHJL-200-EN 1561 | 1    | 814   | MOTOR FRAME        | Cast iron<br>EN-GHJL-200-EN 1561 | 1    |
| 080 | BUSHING               | EN 1.4301 (AISI304)              | 1    | 816   | POWER SIDE BRACKET | Cast iron<br>EN-GHJL-200-EN 1561 | 1    |
| 107 | CASING RING           | Brass                            | 1    | 817   | MOTOR COVER        | Cast iron<br>EN-GHJL-200-EN 1561 | 1    |
| 111 | MECHANICAL SEAL       | -                                | 1    | 830   | SHAFT              | EN 1.4006 (AISI403)              | 1    |
| 174 | DISCHARGE BEND        | Cast iron<br>EN-GHJL-200-EN 1561 | 1    | 849-1 | BALL BEARING       | -                                | 1    |
| 193 | OIL PLUG              | NBR/EN 1.4301 (AISI304)          | 1    | 849-2 | BALL BEARING       | -                                | 1    |
| 244 | STRAINER              | EN 1.4301 (AISI304)              | 1    | 876   | PROTECTOR          | -                                | 1    |
| 275 | IMPELLER BOLT         | EN 1.4301 (AISI304)              | 1    | 904   | LIFTING HANGER     | Stainless steel                  | 1    |
| 277 | V-RING                | -                                | 1    |       |                    |                                  |      |



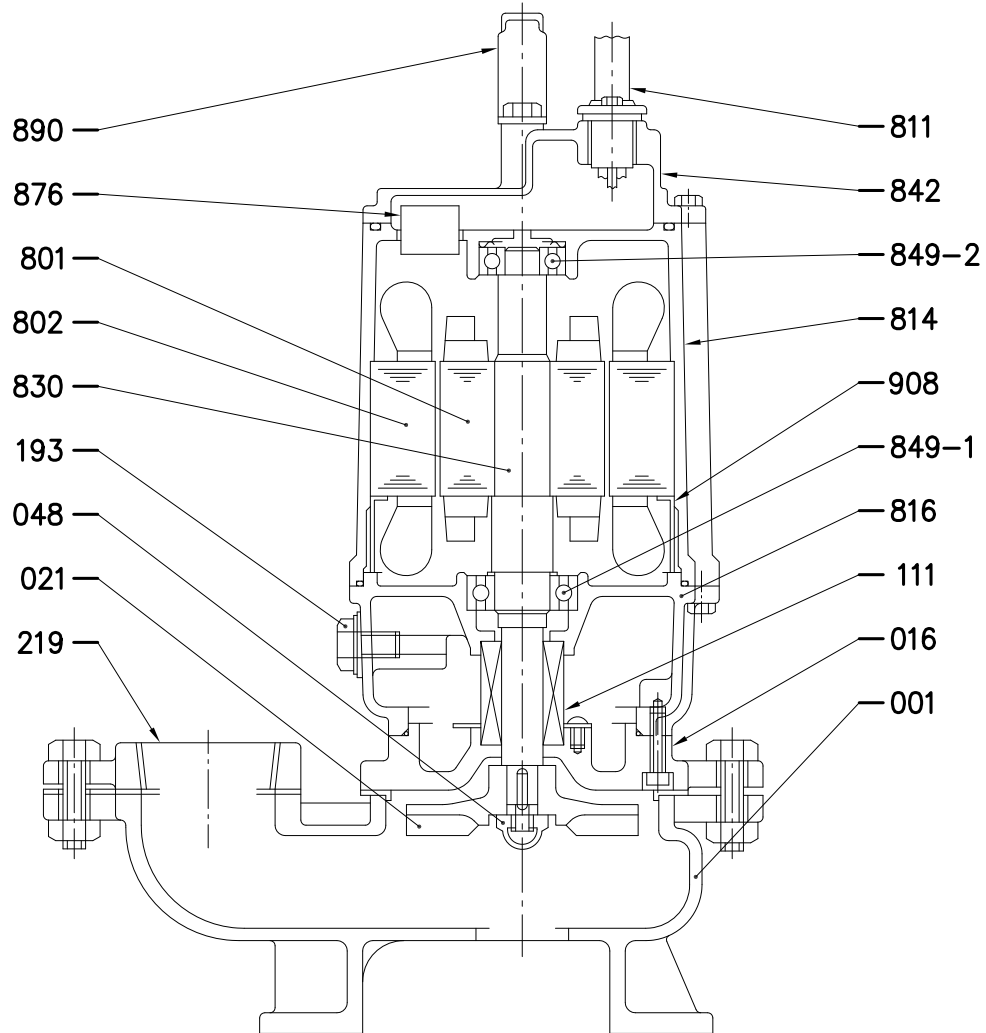
| N°    | PART NAME             | MATERIAL                      | Q.TY |
|-------|-----------------------|-------------------------------|------|
| 001   | CASING                | CAST IRON EN-GJL-250          | 1    |
| 016   | MECHANICAL SEAL COVER | CAST IRON EN-GJL-250          | 1    |
| 021   | IMPELLER              | DUCTILE IRON GS400 UNI-EN1563 | 1    |
| 080   | BUSHING               | STEEL                         | 1    |
| 111   | MECHANICAL SEAL       | -                             | 1    |
| 193   | OIL PLUG              | NBR / STAINLESS STEEL         | 1    |
| 244   | STRAINER              | AISI 316L                     | 1    |
| 275   | IMPELLER BOLT         | CLASS A2 AISI 304             | 1    |
| 801   | ROTOR                 | -                             | 1    |
| 802   | STATOR                | -                             | 1    |
| 811   | SUBMERSIBLE CABLE     | -                             | 1    |
| 814   | MOTOR FRAME           | GHISA EN-GJL-250              | 1    |
| 816   | POWER SIDE BRACKET    | GHISA EN-GJL-250              | 1    |
| 817   | OPPOSITE SIDE BRACKET | GHISA EN-GJL-250              | 1    |
| 830   | SHAFT                 | AISI 420B                     | 1    |
| 849-1 | BALL BEARING          | -                             | 1    |
| 849-2 | BALL BEARING          | -                             | 1    |
| 904   | LIFTING HANGER        | CAST IRON EN-GJL-250          | 1    |

**40 DSF (6.0 kW)**



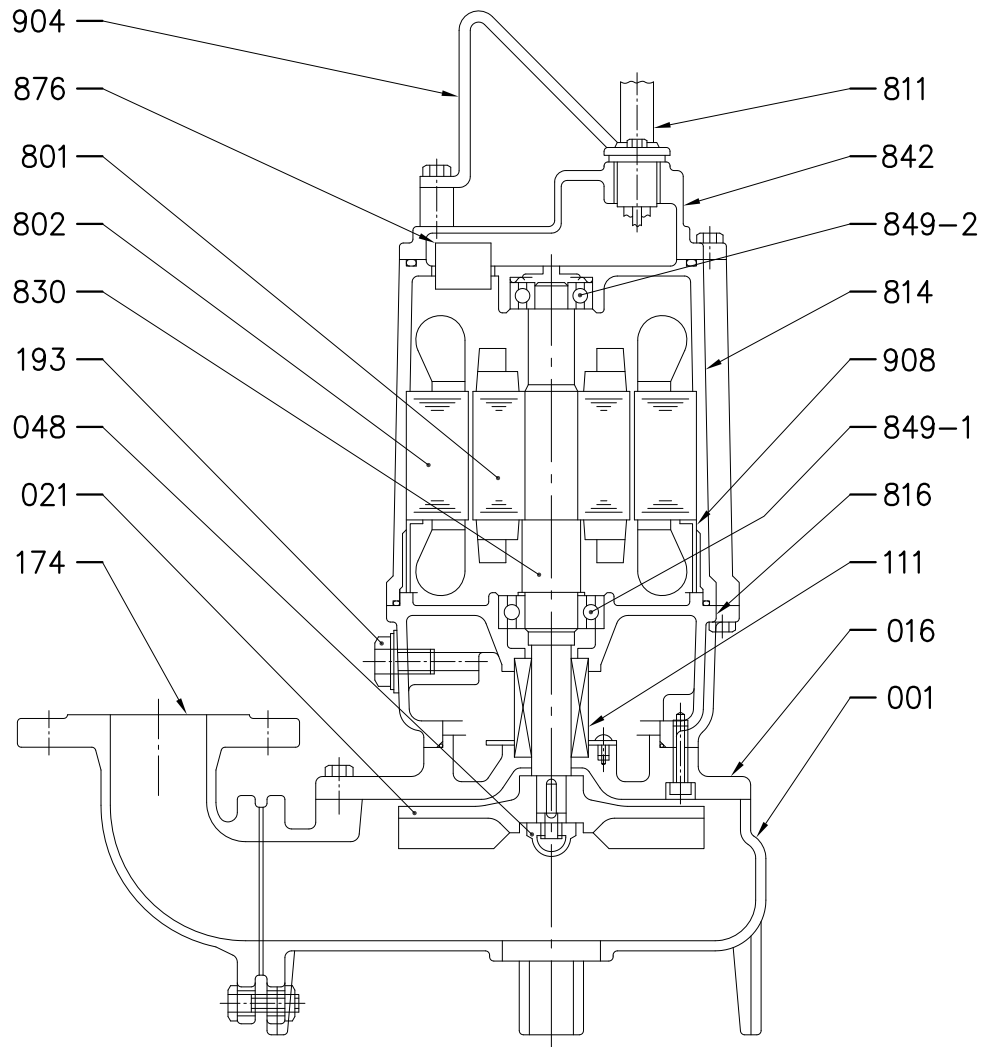
| N°    | PART NAME             | MATERIAL                      | Q.TY |
|-------|-----------------------|-------------------------------|------|
| 001   | CASING                | CAST IRON EN-GJL-250          | 1    |
| 012   | SUCTION COVER         | CAST IRON EN-GJL-250          | 1    |
| 016   | MECHANICAL SEAL COVER | CAST IRON EN-GJL-250          | 1    |
| 021   | IMPELLER              | DUCTILE IRON GS400 UNI-EN1563 | 1    |
| 080   | BUSHING               | STEEL                         | 1    |
| 111   | MECHANICAL SEAL       | -                             | 2    |
| 193   | OIL PLUG              | NBR / STAINLESS STEEL         | 1    |
| 244   | STRAINER              | AISI 316L                     | 1    |
| 275   | IMPELLER BOLT         | CLASS A2 AISI 304             | 1    |
| 801   | ROTOR                 | -                             | 1    |
| 802   | STATOR                | -                             | 1    |
| 811   | SUBMERSIBLE CABLE     | -                             | 1    |
| 814   | MOTOR FRAME           | CAST IRON EN-GJL-250          | 1    |
| 817   | OPPOSITE SIDE BRACKET | CAST IRON EN-GJL-250          | 1    |
| 830   | SHAFT                 | AISI 420B                     | 1    |
| 849-1 | BALL BEARING          | -                             | 1    |
| 849-2 | BALL BEARING          | -                             | 1    |
| 904   | LIFTING HANGER        | STEEL                         | 2    |

50DVS (1.5kW)



| N°  | PART. NAME            | MATERIAL                         | Q.TY | N°    | PART. NAME         | MATERIAL                         | Q.TY |
|-----|-----------------------|----------------------------------|------|-------|--------------------|----------------------------------|------|
| 001 | CASING                | Cast iron<br>EN-GHJL-200-EN 1561 | 1    | 814   | MOTOR FRAME        | Cast iron<br>EN-GHJL-200-EN 1561 | 1    |
| 016 | MECHANICAL SEAL COVER | Cast iron<br>EN-GHJL-200-EN 1561 | 1    | 816   | POWER SIDE BRACKET | Cast iron<br>EN-GHJL-200-EN 1561 | 1    |
| 021 | IMPELLER              | Cast iron<br>EN-GHJL-200-EN 1561 | 1    | 830   | SHAFT              | EN 1.4006 (AISI403)              | 1    |
| 048 | IMPELLER NUT          | Brass                            | 1    | 842   | MOTOR COVER        | Cast iron<br>EN-GHJL-200-EN 1561 | 1    |
| 111 | MECHANICAL SEAL       | -                                | 1    | 849-1 | BALL BEARING       | -                                | 1    |
| 193 | OIL PLUG              | NBR/EN 1.4301<br>(AISI304)       | 1    | 849-2 | BALL BEARING       | -                                | 1    |
| 219 | COMPANION FLANGE      | Cast iron<br>EN-GHJL-200-EN 1561 | 1    | 876   | PROTECTOR          | -                                | 1    |
| 801 | ROTOR                 | -                                | 1    | 890   | HANDLE             | Stainless Steel                  | 1    |
| 802 | STATOR                | -                                | 1    | 908   | SPACER             | Steel                            | 1    |
| 811 | SUBMERSIBLE CABLE     | -                                | 1    |       |                    |                                  |      |

**65(80)DVS (1.5kW)**

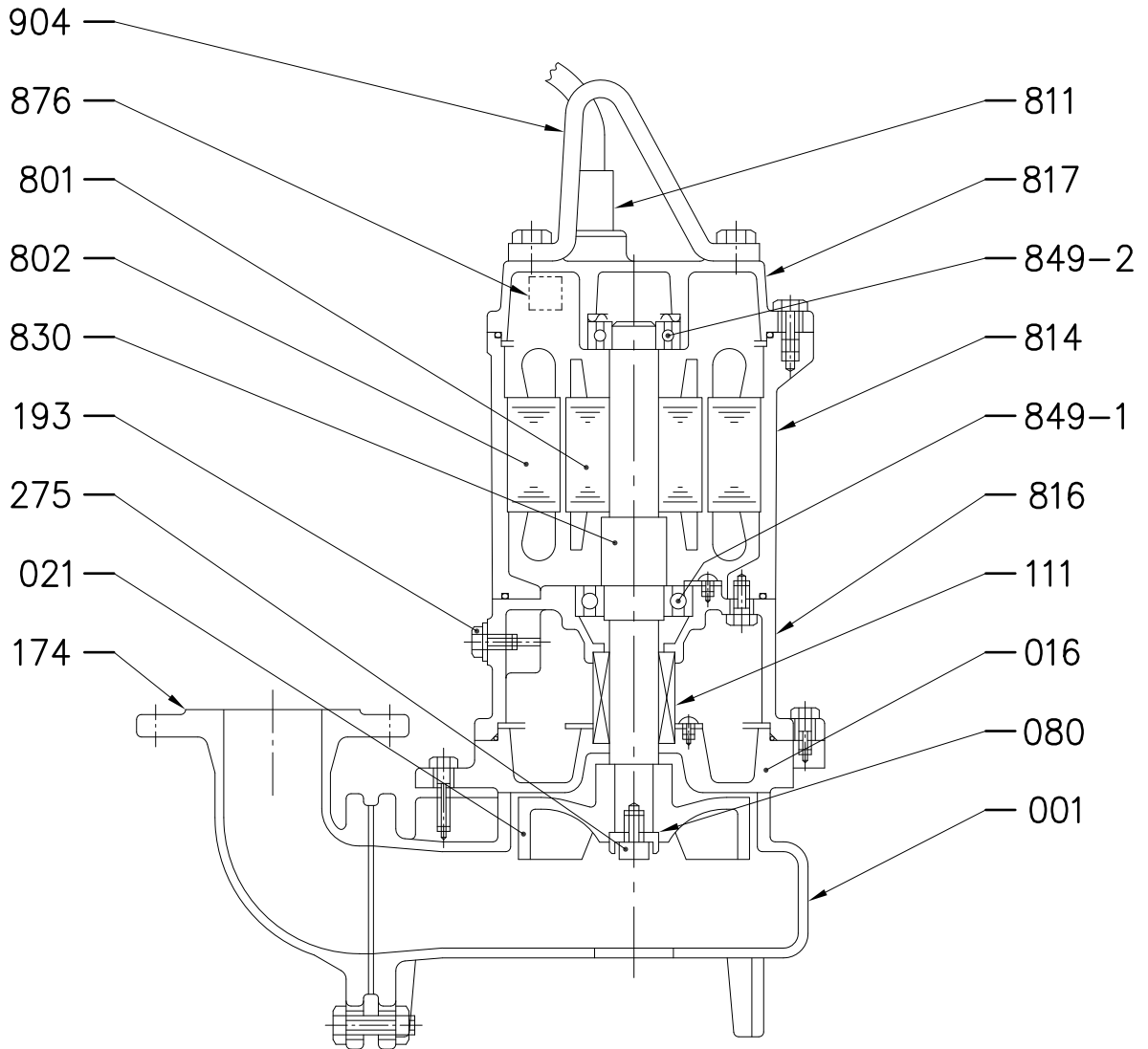


| POS. | PART. NAME            | MATERIAL                         | N° FOR UNIT |
|------|-----------------------|----------------------------------|-------------|
| 001  | CASING                | Cast iron<br>EN-GHJL-200-EN 1561 | 1           |
| 016  | MECHANICAL SEAL COVER | Cast iron<br>EN-GHJL-200-EN 1561 | 1           |
| 021  | IMPELLER              | Cast iron<br>EN-GHJL-200-EN 1561 | 1           |
| 048  | IMPELLER NUT          | EN 1.4301 (AISI304)              | 1           |
| 111  | MECHANICAL SEAL       | -                                | 1           |
| 174  | DISCHARGE BEND        | Cast iron<br>EN-GHJL-200-EN 1561 | 1           |
| 193  | OIL PLUG              | NBR/EN 1.4301<br>(AISI304)       | 1           |
| 801  | ROTOR                 | -                                | 1           |
| 802  | STATOR                | -                                | 1           |
| 811  | SUBMERSIBLE CABLE     | -                                | 1           |

| POS.  | PART. NAME         | MATERIAL                         | N° FOR UNIT |
|-------|--------------------|----------------------------------|-------------|
| 814   | MOTOR FRAME        | Cast iron<br>EN-GHJL-200-EN 1561 | 1           |
| 816   | POWER SIDE BRACKET | Cast iron<br>EN-GHJL-200-EN 1561 | 1           |
| 830   | SHAFT              | EN 1.4006 (AISI403)              | 1           |
| 842   | MOTOR COVER        | Cast iron<br>EN-GHJL-200-EN 1561 | 1           |
| 849-1 | BALL BEARING       | -                                | 1           |
| 849-2 | BALL BEARING       | -                                | 1           |
| 876   | PROTECTOR          | -                                | 1           |
| 904   | LIFTING HANGER     | Stainless Steel                  | 1           |
| 908   | SPACER             | Steel                            |             |



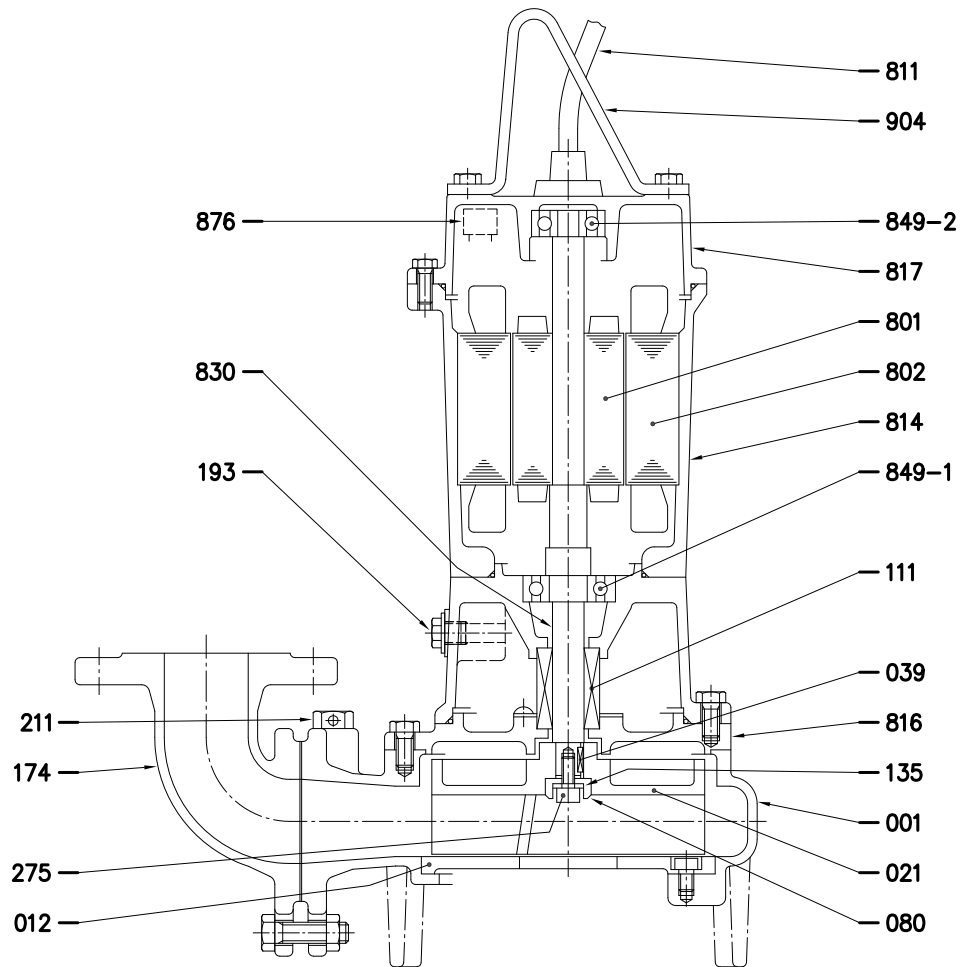
**65(80)DVS (2.2÷3.7 kW)**



| POS. | PART. NAME            | MATERIAL                         | N° FOR UNIT |
|------|-----------------------|----------------------------------|-------------|
| 001  | CASING                | Cast iron<br>EN-GHJL-200-EN 1561 | 1           |
| 016  | MECHANICAL SEAL COVER | Cast iron<br>EN-GHJL-200-EN 1561 | 1           |
| 021  | IMPELLER              | Cast iron<br>EN-GHJL-200-EN 1561 | 1           |
| 080  | BUSHING               | EN 1.4301 (AISI304)              | 1           |
| 111  | MECHANICAL SEAL       | -                                | 1           |
| 174  | DISCHARGE BEND        | Cast iron<br>EN-GHJL-200-EN 1561 | 1           |
| 193  | OIL PLUG              | NBR/EN 1.4301<br>(AISI304)       | 1           |
| 275  | IMPELLER BOLT         | EN 1.4301 (AISI304)              | 1           |
| 801  | ROTOR                 | -                                | 1           |
| 802  | STATOR                | -                                | 1           |

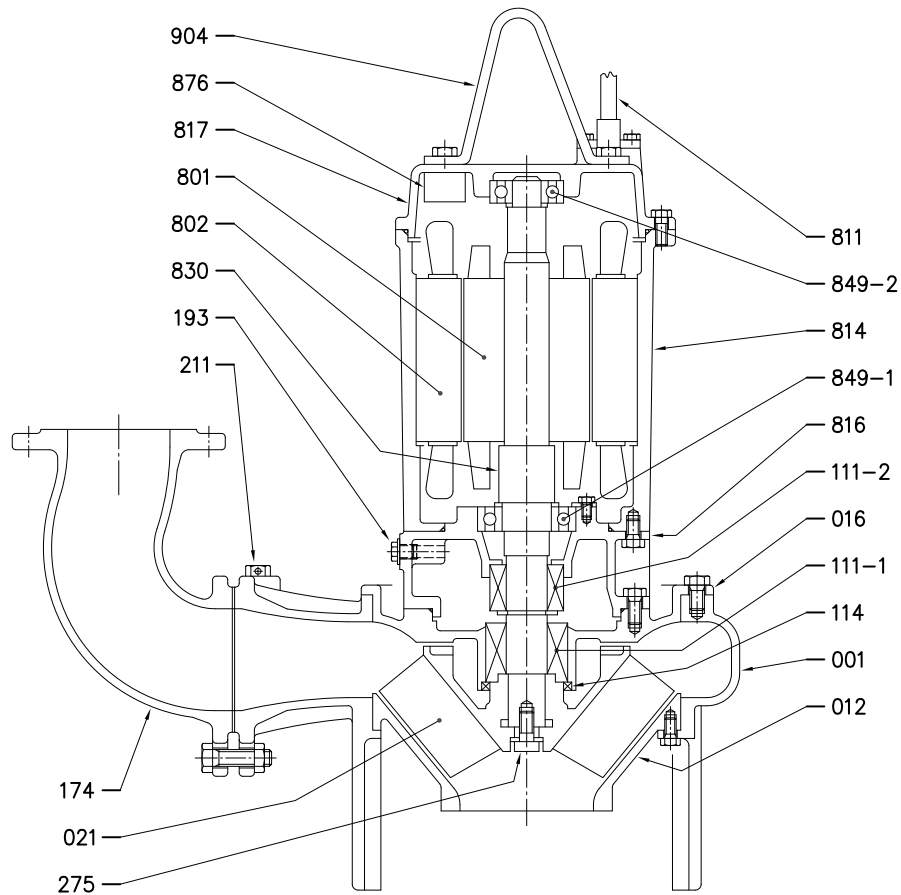
| POS.  | PART. NAME            | MATERIAL                         | N° FOR UNIT |
|-------|-----------------------|----------------------------------|-------------|
| 811   | SUBMERSIBLE CABLE     | -                                | 1           |
| 814   | MOTOR FRAME           | Cast iron<br>EN-GHJL-200-EN 1561 | 1           |
| 816   | POWER SIDE BRACKET    | Cast iron<br>EN-GHJL-200-EN 1561 | 1           |
| 817   | OPPOSITE SIDE BRACKET | Cast iron<br>EN-GHJL-200-EN 1561 | 1           |
| 830   | SHAFT                 | EN 1.4006 (AISI403)              | 1           |
| 849-1 | BALL BEARING          | -                                | 1           |
| 849-2 | BALL BEARING          | -                                | 1           |
| 876   | PROTECTOR             | -                                | 1           |
| 904   | LIFTING HANGER        | Stainless Steel                  | 1           |

65DL, 65DL W/C (1.5 kW)  
 80DL, 80DL W/C (1.5÷3.7 kW)  
 100DL, 100DL W/C (3.7 kW)



| POS. | PART. NAME      | MATERIAL                         | N° FOR UNIT | POS.  | PART. NAME            | MATERIAL                         | N° FOR UNIT |
|------|-----------------|----------------------------------|-------------|-------|-----------------------|----------------------------------|-------------|
| 001  | CASING          | Cast iron<br>EN-GHJL-200-EN 1561 | 1           | 801   | ROTOR                 | -                                | 1           |
| 012  | SUCTION COVER   | Cast iron<br>EN-GHJL-200-EN 1561 | 1           | 802   | STATOR                | -                                | 1           |
| 021  | IMPELLER        | Cast iron<br>EN-GHJL-200-EN 1561 | 1           | 811   | SUBMERSIBLE CABLE     | -                                | 1           |
| 039  | KEY             | EN 1.4028 (AISI420)              | 1           | 814   | MOTOR FRAME           | Cast iron<br>EN-GHJL-200-EN 1561 | 1           |
| 080  | BUSHING         | EN 1.4301 (AISI304)              | 1           | 816   | POWER SIDE BRACKET    | Cast iron<br>EN-GHJL-200-EN 1561 | 1           |
| 111  | MECHANICAL SEAL | -                                | 1           | 817   | OPPOSITE SIDE BRACKET | Cast iron<br>EN-GHJL-200-EN 1561 | 1           |
| 135  | SEAL WASHER     | EN 1.4301 (AISI304)              | 1           | 830   | SHAFT                 | EN 1.4006 (AISI403)              | 1           |
| 174  | DISCHARGE BEND  | Cast iron<br>EN-GHJL-200-EN 1561 | 1           | 876   | PROTECTOR             | -                                | 1           |
| 193  | Oil Plug        | NBR/EN 1.4301 (AISI304)          | 1           | 849-1 | BALL BEARING          | -                                | 1           |
| 211  | AIRVENT VALVE   | -                                | 1           | 849-2 | BALL BEARING          | -                                | 1           |
| 275  | IMPELLER BOLT   | EN 1.4301 (AISI304)              | 1           | 904   | LIFTING HANGER        | Stainless Steel                  | 1           |

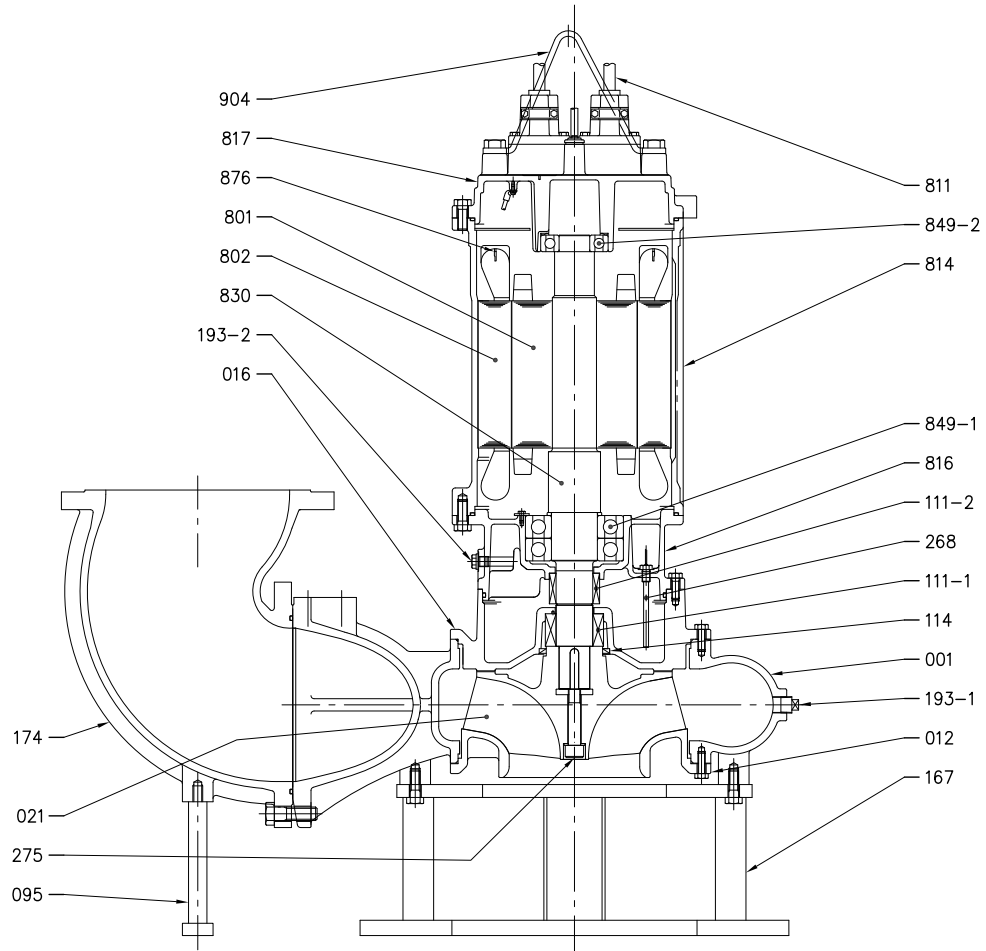
**80DL (5.5÷7.5 kW)**  
**100DL (5.5÷18.5 kW), 100DL W/C (5.5÷7.5 kW)**  
**150DL (5.5÷22 kW), 200DL (5.5÷22 kW)**  
**250DL (7.5÷22 kW), 300DL (11÷22 kW)**



| POS.  | PART. NAME            | MATERIAL                         | N° FOR UNIT | POS.  | PART. NAME            | MATERIAL                         | N° FOR UNIT |
|-------|-----------------------|----------------------------------|-------------|-------|-----------------------|----------------------------------|-------------|
| 001   | CASING                | Cast iron<br>EN-GHJL-200-EN 1561 | 1           | 801   | ROTOR                 | -                                | 1           |
| 012   | SUCTION COVER         | Cast iron<br>EN-GHJL-200-EN 1561 | 1           | 802   | STATOR                | -                                | 1           |
| 016   | MECHANICAL SEAL COVER | Cast iron<br>EN-GHJL-200-EN 1561 | 1           | 811   | SUBMERSIBLE CABLE     | -                                | 1           |
| 021   | IMPELLER              | Cast iron<br>EN-GHJL-200-EN 1561 | 1           | 814   | MOTOR FRAME           | Cast iron<br>EN-GHJL-150-EN 1561 | 1           |
| 111-1 | MECHANICAL SEAL       | -                                | 1           | 816   | POWER SIDE BRACKET    | Cast iron<br>EN-GHJL-150-EN 1561 | 1           |
| 111-2 | MECHANICAL SEAL       | -                                | 1           | 817   | OPPOSITE SIDE BRACKET | Cast iron<br>EN-GHJL-150-EN 1561 | 1           |
| 114   | OIL SEAL              | NBR                              | 1           | 830   | SHAFT                 | EN 1.4006 (AISI403)              | 1           |
| 174   | DISCHARGE BEND        | Cast iron<br>EN-GHJL-200-EN 1561 | 1           | 849-1 | BALL BEARING          | -                                | 1           |
| 193   | OIL PLUG              | NBR/EN 1.4301<br>(AISI304)       | 1           | 849-2 | BALL BEARING          | -                                | 1           |
| 211   | AIRVENT VALVE [1]     | -                                | 1           | 876   | PROTECTOR             | -                                | 1           |
| 275   | IMPELLER BOLT         | EN 1.4301 (AISI304)              | 1           | 904   | LIFTING HANGER        | Stainless Steel                  | 1           |

[1] Not for 250DL and 300DL

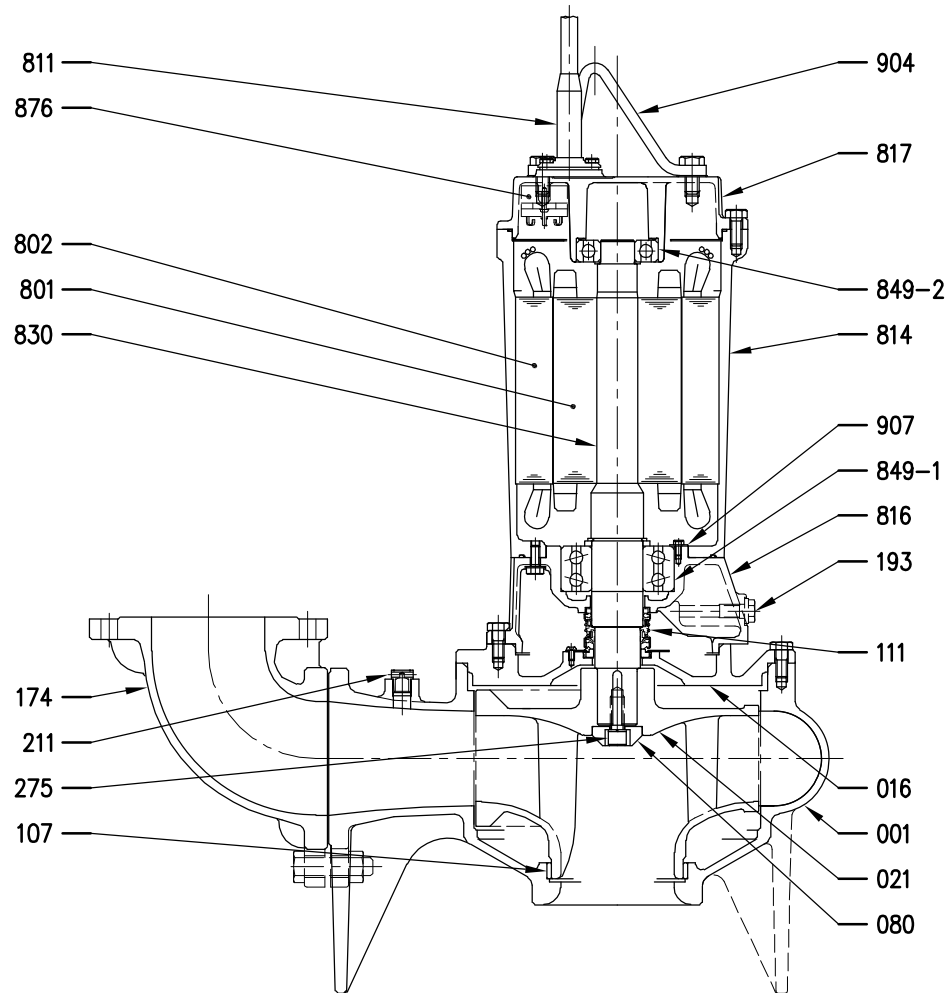
150DL (30÷45 kW), 200DL (30÷45 kW)  
250DL (30÷45 kW), 300 DL(30÷45 kW)



| POS.  | PART. NAME            | MATERIAL                         | N° FOR UNIT | POS.  | PART. NAME            | MATERIAL                         | N° FOR UNIT |
|-------|-----------------------|----------------------------------|-------------|-------|-----------------------|----------------------------------|-------------|
| 001   | CASING                | Cast iron<br>EN-GHJL-200-EN 1561 | 1           | 275   | IMPELLER BOLT         | EN 1.4301 (AISI304)              | 1           |
| 012   | SUCTION COVER         | Cast iron<br>EN-GHJL-200-EN 1561 | 1           | 801   | ROTOR                 | -                                | 1           |
| 016   | MECHANICAL SEAL COVER | Cast iron<br>EN-GHJL-200-EN 1561 | 1           | 802   | STATOR                | -                                | 1           |
| 021   | IMPELLER              | Cast iron<br>EN-GHJL-200-EN 1561 | 1           | 811   | SUBMERSIBLE CABLE     | -                                | 1           |
| 095   | STAY [1]              | EN 1.4301 (AISI304)              |             | 814   | MOTOR FRAME           | Cast iron<br>EN-GHJL-150-EN 1561 | 1           |
| 111-1 | MECHANICAL SEAL       | -                                | 1           | 816   | POWER SIDE BRACKET    | Cast iron<br>EN-GHJL-150-EN 1561 | 1           |
| 111-2 | MECHANICAL SEAL       | -                                | 1           | 817   | OPPOSITE SIDE BRACKET | Cast iron<br>EN-GHJL-150-EN 1561 | 1           |
| 114   | OIL SEAL              | NBR                              | 1           | 830   | SHAFT                 | EN 1.4006 (AISI403)              | 1           |
| 174   | DISCHARGE BEND        | Cast iron<br>EN-GHJL-200-EN 1561 | 1           | 849-1 | BALL BEARING          | -                                | 1           |
| 193-2 | OIL PLUG + GASKET     | NBR/EN 1.4301<br>(AISI304)       | 1           | 849-2 | BALL BEARING          | -                                | 1           |
| 193-2 | PLUG                  | EN 1.4301 (AISI304)              | 1           | 876   | PROTECTOR             | -                                | 1           |
| 211   | AIRVENT VALVE [2]     | -                                | 1           | 904   | LIFTING HANGER        | Stainless Steel                  | 1           |

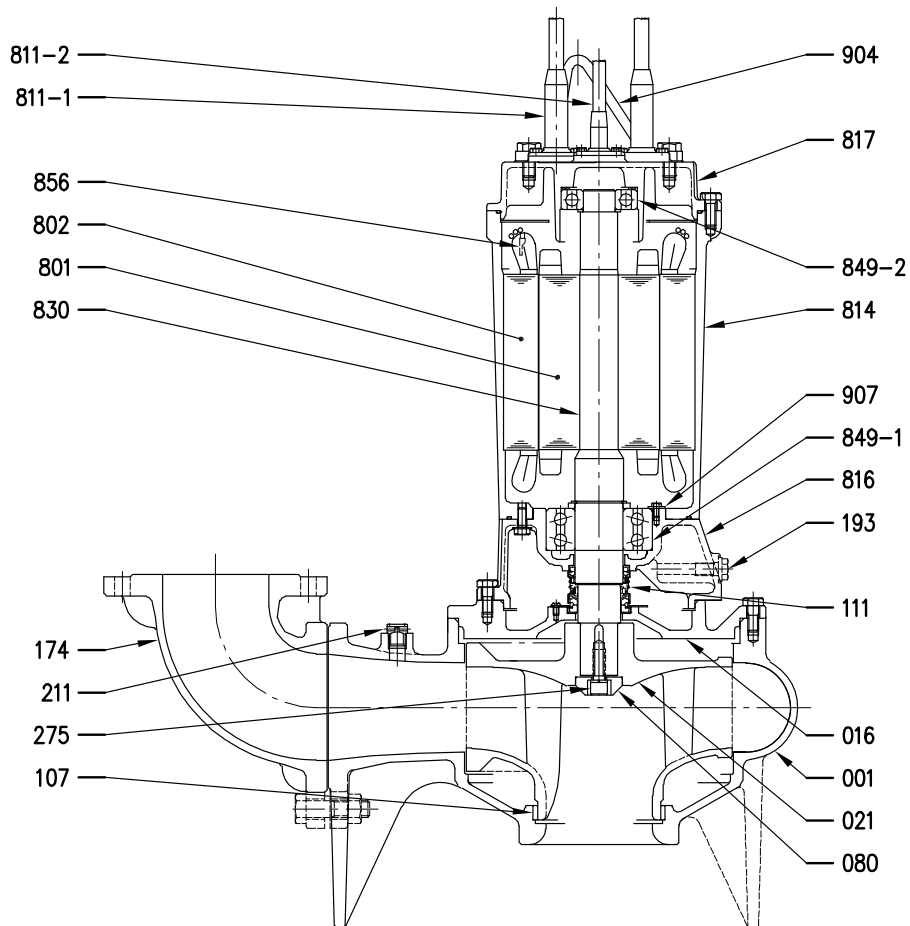
[1] Not for 150DL and 200DL  
[2] Not for 250DL and 300DL

80DML (2.2 kW)



| N°  | PART.NAME             | MATERIAL                                  | Q.TY  | N°    | PART.NAME             | MATERIAL                           | Q.TY |
|-----|-----------------------|-------------------------------------------|-------|-------|-----------------------|------------------------------------|------|
| 001 | Pump Casing           | Cast iron<br>EN-GHJL-200 - EN 1561        | 1     | 802   | Stator                | -                                  | 1    |
| 016 | Mechanical Seal Cover | Cast iron<br>EN-GHJL-200 - EN 1561        | 1     | 811   | Submersible Cable     | -                                  | 2    |
| 021 | Impeller              | Cast iron<br>EN-GHJL-200 - EN 1561        | 1     | 814   | Motor Frame           | Cast iron<br>EN-GHJL-200 - EN 1561 | 1    |
| 080 | Bushing               | Steel                                     | 1     | 816   | Power Side Bracket    | Cast iron<br>EN-GHJL-200 - EN 1561 | 1    |
| 107 | Wearing ring          | Bronze                                    | 1     | 817   | Opposite Side Bracket | Cast iron<br>EN-GHJL-200 - EN 1561 | 1    |
| 111 | Mechanical seal       | -                                         | 1     | 830   | Shaft                 | EN 1.4006 (AISI403)                | 1    |
| 174 | Discharge Bend        | Cast iron<br>EN-GHJL-200 - EN 1561        | 1     | 849-1 | Ball Bearing          | -                                  | 1    |
| 193 | Oil Plug              | NBR/Stainless Steel                       | 1 set | 849-2 | Ball Bearing          | -                                  | 1    |
| 211 | Airvent Valve         | Brass                                     | 1     | 876   | Auto Cut              | -                                  | 3    |
| 275 | Impeller Bolt         | Stainless steel A2-70<br>class ISO 3506/1 | 1     | 904   | Lifting Hanger        | Steel                              | 1    |
| 801 | Rotor                 | -                                         | 1     | 907   | Bearing Cover         | Steel                              | 1    |

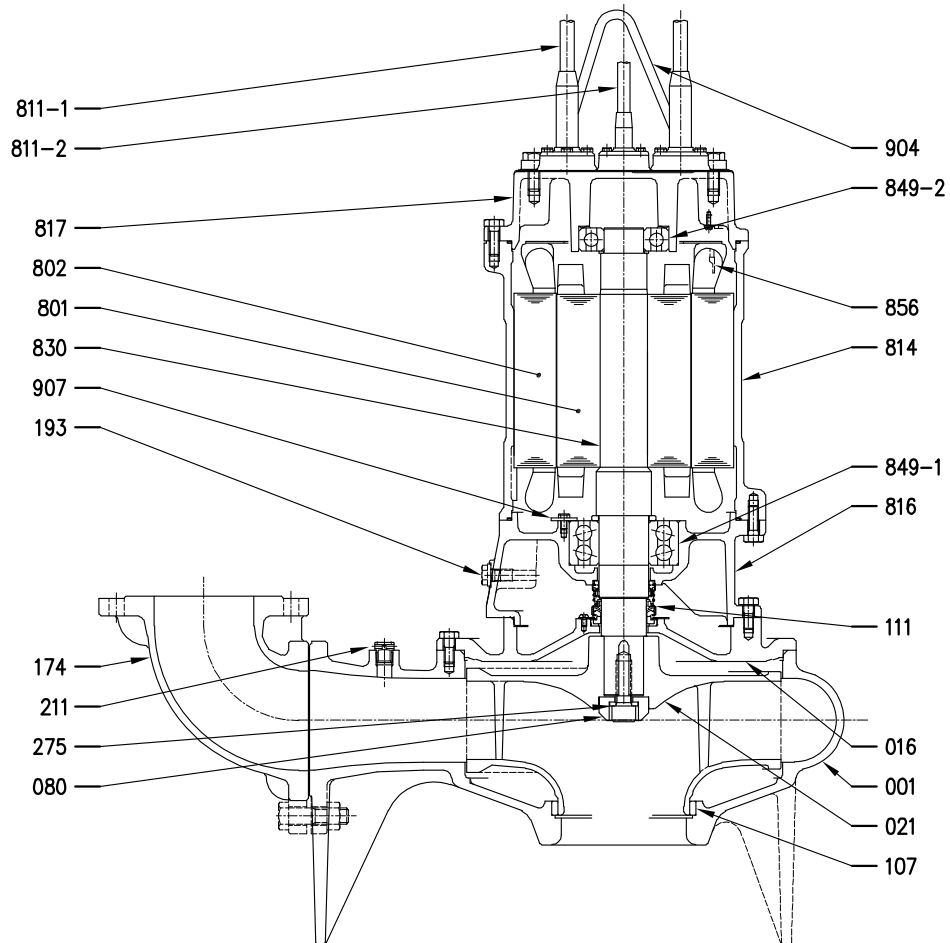
**80DML (3.7 kW)**  
**100DML (3.7÷7.5 kW)**  
**150DML (5.5÷7.5 kW)**



| N°  | PART.NAME             | MATERIAL                                  | Q.TY  |
|-----|-----------------------|-------------------------------------------|-------|
| 001 | Pump Casing           | Cast iron<br>EN-GHJL-200 - EN 1561        | 1     |
| 016 | Mechanical Seal Cover | Cast iron<br>EN-GHJL-200 - EN 1561        | 1     |
| 021 | Impeller              | Cast iron<br>EN-GHJL-200 - EN 1561        | 1     |
| 080 | Bushing               | Steel                                     | 1     |
| 107 | Wearing ring          | Bronze                                    | 1     |
| 111 | Mechanical seal       | -                                         | 1     |
| 174 | Discharge Bend        | Cast iron<br>EN-GHJL-200 - EN 1561        | 1     |
| 193 | Oil Plug              | NBR/Stainless Steel                       | 1 set |
| 211 | Airvent Valve         | Brass                                     | 1     |
| 275 | Impeller Bolt         | Stainless steel A2-70<br>class ISO 3506/1 | 1     |
| 801 | Rotor                 | -                                         | 1     |
| 802 | Stator                | -                                         | 1     |

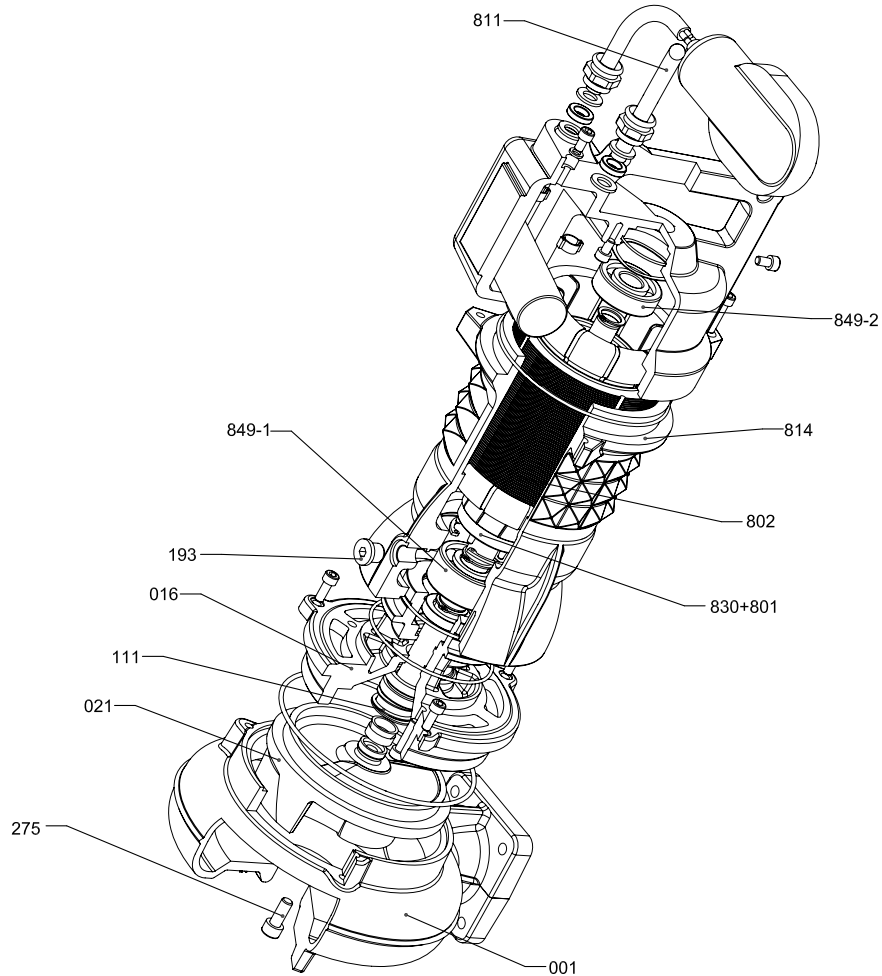
| N°    | PART.NAME                     | MATERIAL                           | Q.TY |
|-------|-------------------------------|------------------------------------|------|
| 811-1 | Submersible Cable<br>(power)  | -                                  | 2    |
| 811-2 | Submersible Cable<br>(signal) | -                                  | 1    |
| 814   | Motor Frame                   | Cast iron<br>EN-GHJL-200 - EN 1561 | 1    |
| 816   | Power Side Bracket            | Cast iron<br>EN-GHJL-200 - EN 1561 | 1    |
| 817   | Opposite Side Bracket         | Cast iron<br>EN-GHJL-200 - EN 1561 | 1    |
| 830   | Shaft                         | EN 1.4006 (AISI403)                | 1    |
| 849-1 | Ball Bearing                  | -                                  | 1    |
| 849-2 | Ball Bearing                  | -                                  | 1    |
| 856   | Thermal Protector             | -                                  | 3    |
| 904   | Lifting Hanger                | Steel                              | 1    |
| 907   | Bearing Cover                 | Steel                              | 1    |

**100DML (11÷22 kW)  
150DML (11÷22 kW)**



| N°  | PART.NAME             | MATERIAL                                  | Q.TY  | N°    | PART.NAME                     | MATERIAL                           | Q.TY |
|-----|-----------------------|-------------------------------------------|-------|-------|-------------------------------|------------------------------------|------|
| 001 | Pump Casing           | Cast iron<br>EN-GHJL-200 - EN 1561        | 1     | 811-1 | Submersible Cable<br>(power)  | -                                  | 2    |
| 016 | Mechanical Seal Cover | Cast iron<br>EN-GHJL-200 - EN 1561        | 1     | 811-2 | Submersible Cable<br>(signal) | -                                  | 1    |
| 021 | Impeller              | Cast iron<br>EN-GHJL-200 - EN 1561        | 1     | 814   | Motor Frame                   | Cast iron<br>EN-GHJL-200 - EN 1561 | 1    |
| 080 | Bushing               | Steel                                     | 1     | 816   | Power Side Bracket            | Cast iron<br>EN-GHJL-200 - EN 1561 | 1    |
| 107 | Wearing ring          | Bronze                                    | 1     | 817   | Opposite Side Bracket         | Cast iron<br>EN-GHJL-200 - EN 1561 | 1    |
| 111 | Mechanical seal       | -                                         | 1     | 830   | Shaft                         | EN 1.4006 (AISI403)                | 1    |
| 174 | Discharge Bend        | Cast iron<br>EN-GHJL-200 - EN 1561        | 1     | 849-1 | Ball Bearing                  | -                                  | 1    |
| 193 | Oil Plug              | NBR/Stainless Steel                       | 1 set | 849-2 | Ball Bearing                  | -                                  | 1    |
| 211 | Airvent Valve         | Brass                                     | 1     | 856   | Thermal Protector             | -                                  | 3    |
| 275 | Impeller Bolt         | Stainless steel A2-70<br>class ISO 3506/1 | 1     | 904   | Lifting Hanger                | Steel                              | 1    |
| 801 | Rotor                 | -                                         | 1     | 907   | Bearing Cover                 | Steel                              | 1    |
| 802 | Stator                | -                                         | 1     |       |                               |                                    |      |

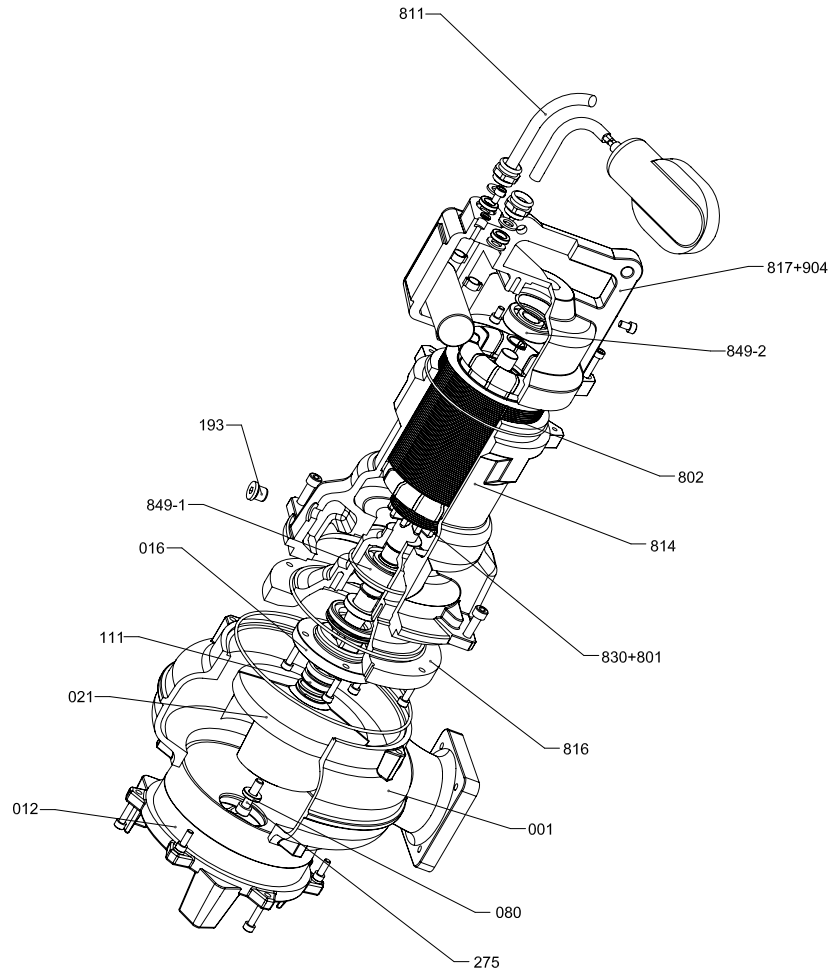
**50 DMLF (1.4 kW)**



| N°    | PART NAME             | MATERIAL                | Q.TY |
|-------|-----------------------|-------------------------|------|
| 001   | CASING                | CAST IRON EN-GJL-250    | 1    |
| 016   | MECHANICAL SEAL COVER | CAST IRON EN-GJL-250    | 1    |
| 021   | IMPELLER              | CAST IRON EN-GJL-250+Ni | 1    |
| 111   | MECHANICAL SEAL       | -                       | 1    |
| 193   | OIL PLUG              | NBR / STAINLESS STEEL   | 1    |
| 275   | IMPELLER BOLT         | CLASS A2 AISI 304       | 1    |
| 801   | ROTOR                 | -                       | 1    |
| 802   | STATOR                | -                       | 1    |
| 811   | SUBMERSIBLE CABLE     | -                       | 1    |
| 814   | MOTOR FRAME           | CAST IRON EN-GJL-250    | 1    |
| 830   | SHAFT                 | AISI 420B               | 1    |
| 849-1 | BALL BEARING          | -                       | 1    |
| 849-2 | BALL BEARING          | -                       | 1    |
| 904   | LIFTING HANGLE        | CAST IRON EN-GJL-250    | 1    |

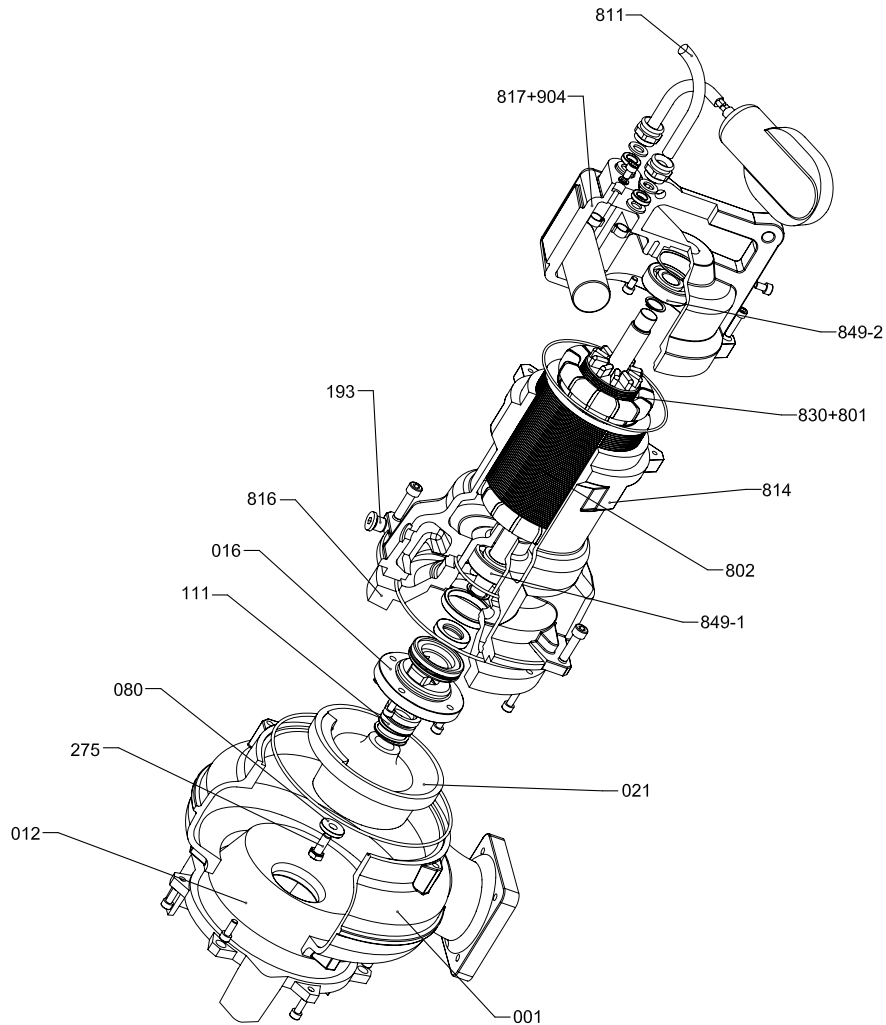


**65 DMLF (1.5 kW)**



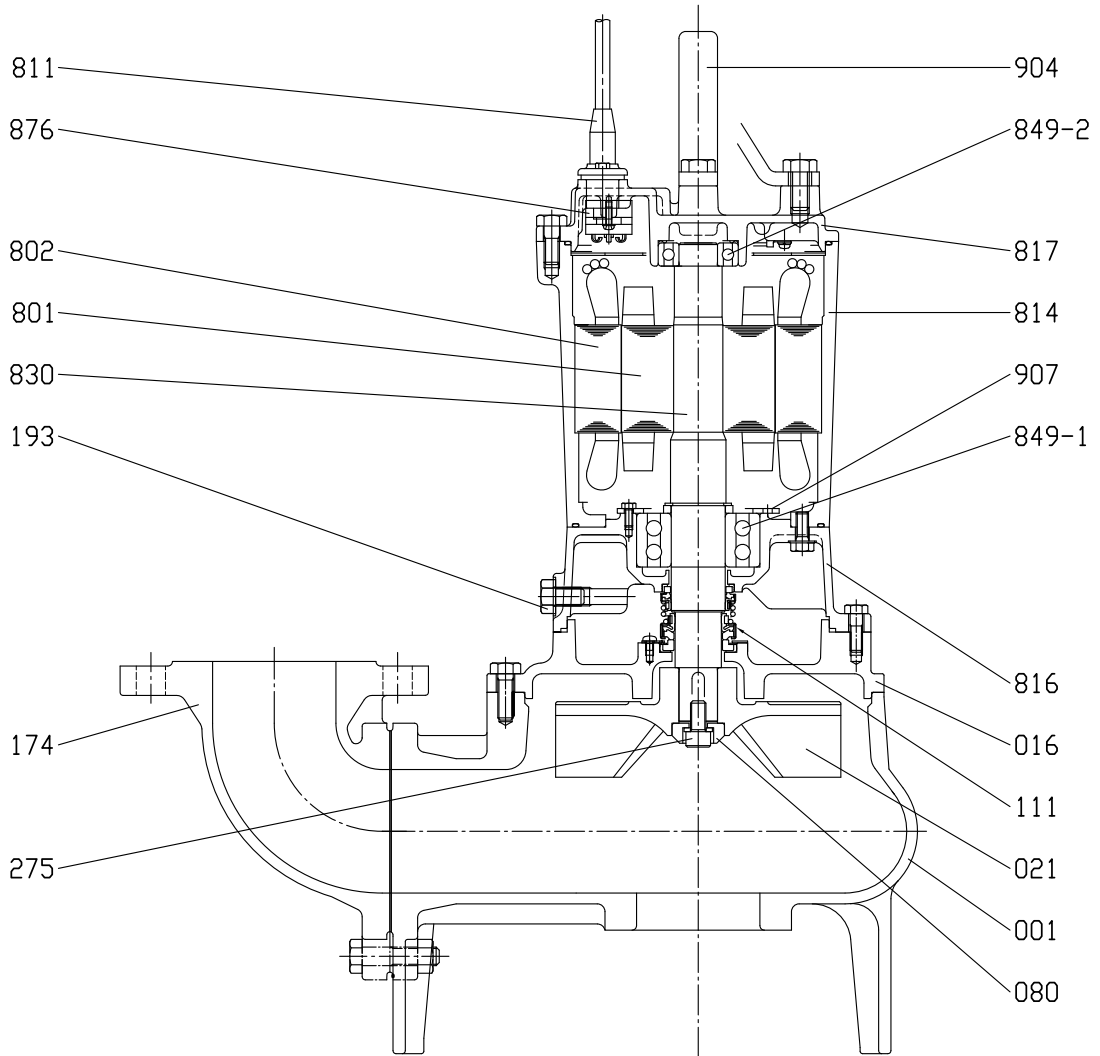
| N°    | PART NAME             | MATERIAL                | Q.TY |
|-------|-----------------------|-------------------------|------|
| 001   | CASING                | CAST IRON EN-GJL-250    | 1    |
| 012   | SUCTION COVER         | CAST IRON EN-GJL-250    | 1    |
| 016   | MECHANICAL SEAL COVER | CAST IRON EN-GJL-250    | 1    |
| 021   | IMPELLER              | CAST IRON EN-GJL-250+Ni | 1    |
| 080   | BUSHING               | STEEL                   | 1    |
| 111   | MECHANICAL SEAL       | -                       | 1    |
| 193   | OIL PLUG              | NBR / STAINLESS STEEL   | 1    |
| 275   | IMPELLER BOLT         | CLASS A2 AISI 304       | 1    |
| 801   | ROTOR                 | -                       | 1    |
| 802   | STATOR                | -                       | 1    |
| 811   | SUBMERSIBLE CABLE     | -                       | 1    |
| 814   | MOTOR FRAME           | CAST IRON EN-GJL-250    | 1    |
| 816   | POWER SIDE BRACKET    | CAST IRON EN-GJL-250    | 1    |
| 817   | OPPOSITE SIDE BRACKET | CAST IRON EN-GJL-250    | 1    |
| 830   | SHAFT                 | AISI 420B               | 1    |
| 849-1 | BALL BEARING          | -                       | 1    |
| 849-2 | BALL BEARING          | -                       | 1    |
| 904   | LIFTING HANGLE        | CAST IRON EN-GJL-250    | 1    |

65 DMLF (1.9 Kw)



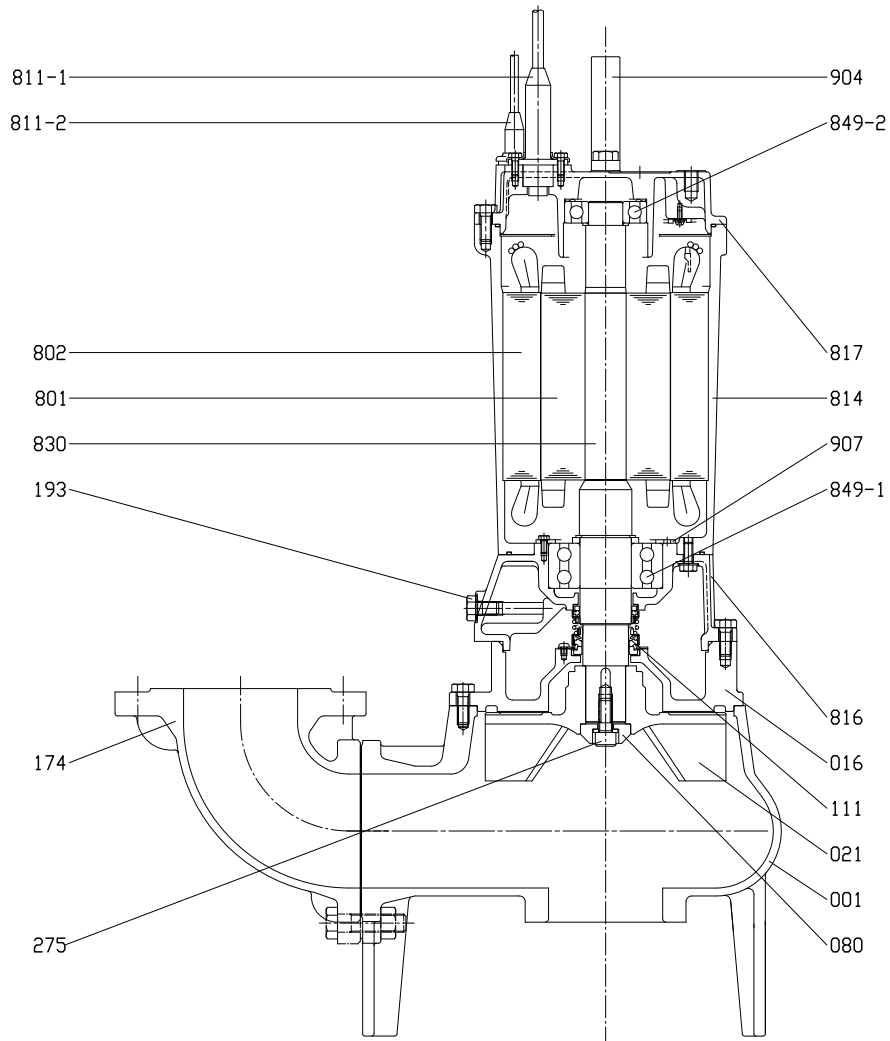
| N°    | PART NAME             | MATERIAL                | Q.TY |
|-------|-----------------------|-------------------------|------|
| 001   | CASING                | CAST IRON EN-GJL-250    | 1    |
| 012   | SUCTION COVER         | CAST IRON EN-GJL-250    | 1    |
| 016   | MECHANICAL SEAL COVER | CAST IRON EN-GJL-250    | 1    |
| 021   | IMPELLER              | CAST IRON EN-GJL-250+Ni | 1    |
| 080   | BUSHING               | STEEL                   | 1    |
| 111   | MECHANICAL SEAL       | -                       | 1    |
| 193   | OIL PLUG              | NBR / STAINLESS STEEL   | 1    |
| 275   | IMPELLER BOLT         | CLASS A2 AISI 304       | 1    |
| 801   | ROTOR                 | -                       | 1    |
| 802   | STATOR                | -                       | 1    |
| 811   | SUBMERSIBLE CABLE     | -                       | 1    |
| 814   | MOTOR FRAME           | CAST IRON EN-GJL-250    | 1    |
| 816   | POWER SIDE BRACKET    | CAST IRON EN-GJL-250    | 1    |
| 817   | OPPOSITE SIDE BRACKER | CAST IRON EN-GJL-250    | 1    |
| 830   | SHAFT                 | AISI 420B               | 1    |
| 849-1 | BALL BEARING          | -                       | 1    |
| 849-2 | BALL BEARING          | -                       | 1    |
| 904   | LIFTING HANGLE        | CAST IRON EN-GJL-250    | 1    |

80DMLV (2.2 kW)



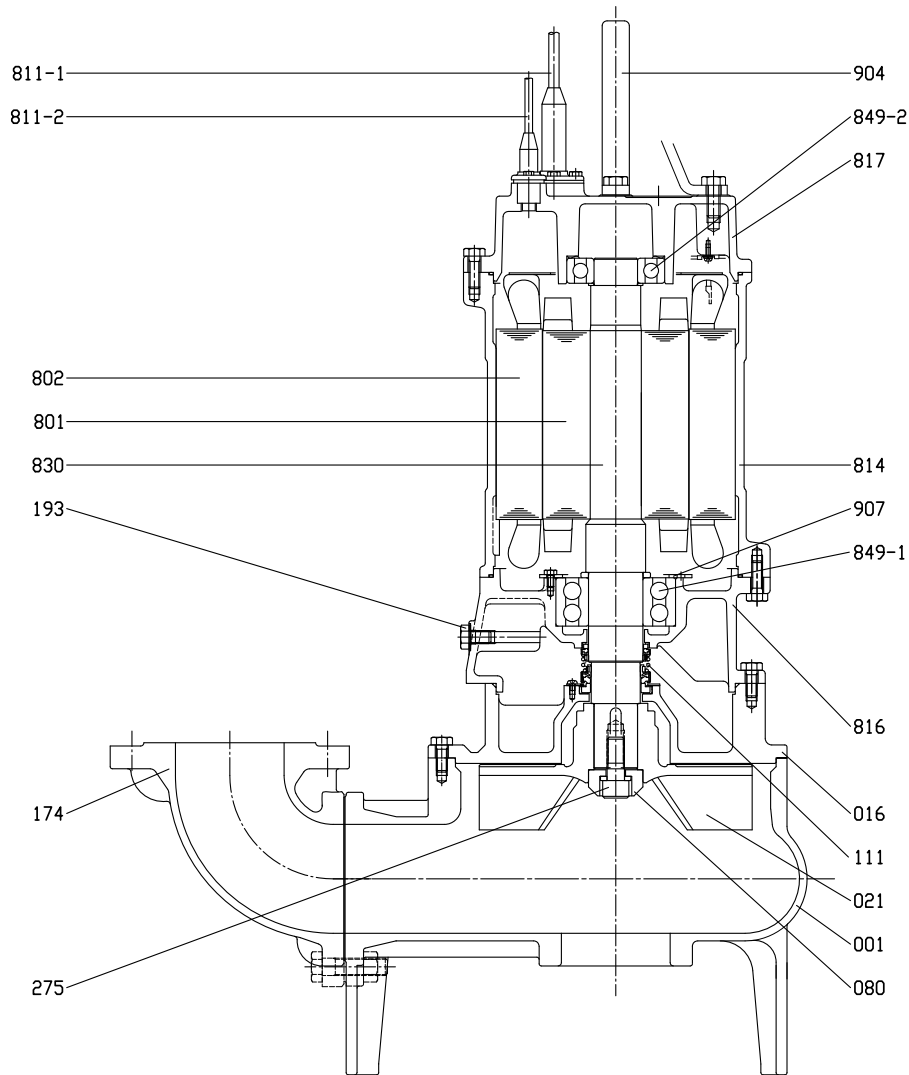
| N°  | PART.NAME             | MATERIAL                                  | Q.TY  | N°    | PART.NAME             | MATERIAL                           | Q.TY |
|-----|-----------------------|-------------------------------------------|-------|-------|-----------------------|------------------------------------|------|
| 001 | Pump Casing           | Cast iron<br>EN-GHJL-200 - EN 1561        | 1     | 811   | Submersible Cable     | -                                  | 2    |
| 016 | Mechanical Seal Cover | Cast iron<br>EN-GHJL-200 - EN 1561        | 1     | 814   | Motor Frame           | Cast iron<br>EN-GHJL-200 - EN 1561 | 1    |
| 021 | Impeller              | Cast iron<br>EN-GHJL-200 - EN 1561        | 1     | 816   | Power Side Bracket    | Cast iron<br>EN-GHJL-200 - EN 1561 | 1    |
| 080 | Bushing               | Steel                                     | 1     | 817   | Opposite Side Bracket | Cast iron<br>EN-GHJL-200 - EN 1561 | 1    |
| 111 | Mechanical seal       | -                                         | 1     | 830   | Shaft                 | EN 1.4006 (AISI403)                | 1    |
| 174 | Discharge Bend        | Cast iron<br>EN-GHJL-200 - EN 1561        | 1     | 849-1 | Ball Bearing          | -                                  | 1    |
| 193 | Oil Plug              | NBR/Stainless Steel                       | 1 set | 849-2 | Ball Bearing          | -                                  | 1    |
| 275 | Impeller screw        | Stainless steel A2-70<br>class ISO 3506/1 | 1     | 876   | Auto Cut              | -                                  | 1    |
| 801 | Rotor                 | -                                         | 1     | 904   | Lifting Hanger        | Steel                              | 1    |
| 802 | Stator                | -                                         | 1     | 907   | Bearing Cover         | Steel                              | 1    |

**80DMLV (3.7 kW)  
100DMLV (3.7÷5.5 kW)**



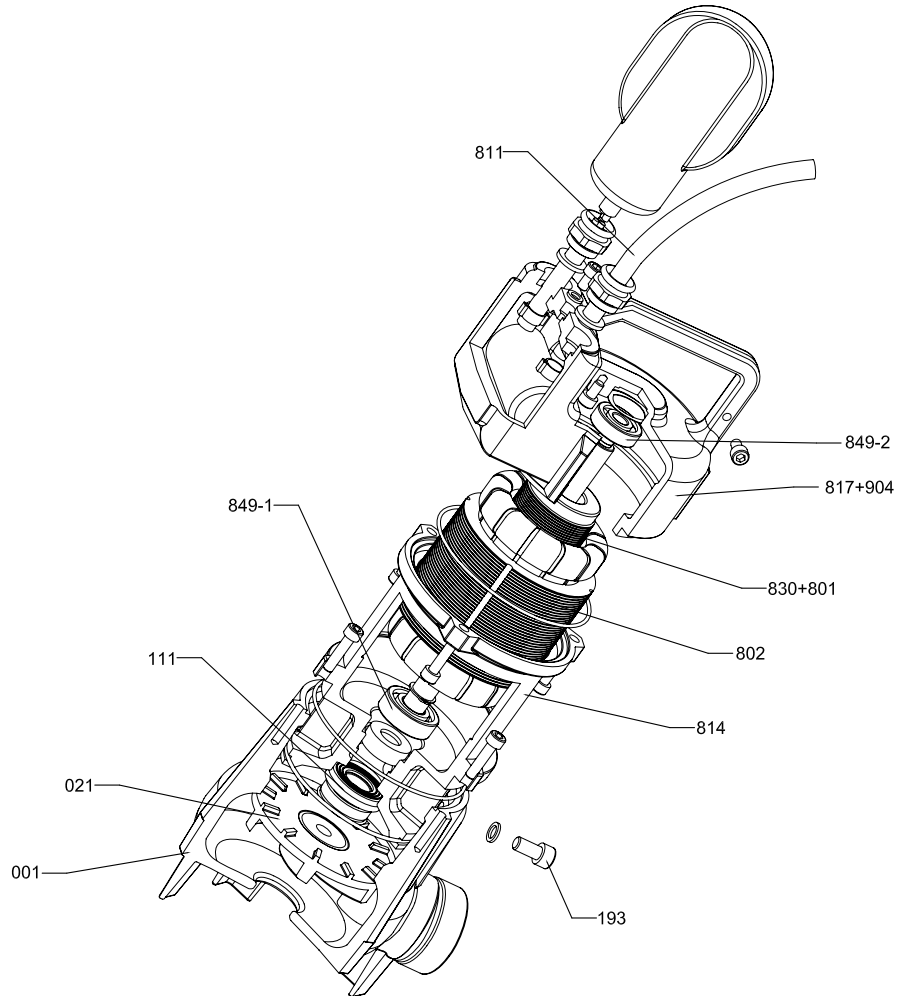
| N°  | PART.NAME             | MATERIAL                                  | Q.TY  | N°    | PART.NAME                     | MATERIAL                           | Q.TY |
|-----|-----------------------|-------------------------------------------|-------|-------|-------------------------------|------------------------------------|------|
| 001 | Pump Casing           | Cast iron<br>EN-GHJL-200 - EN 1561        | 1     | 811-1 | Submersible Cable<br>(power)  | -                                  | 2    |
| 016 | Mechanical Seal Cover | Cast iron<br>EN-GHJL-200 - EN 1561        | 1     | 811-2 | Submersible Cable<br>(signal) | -                                  | 1    |
| 021 | Impeller              | Cast iron<br>EN-GHJL-200 - EN 1561        | 1     | 814   | Motor Frame                   | Cast iron<br>EN-GHJL-200 - EN 1561 | 1    |
| 080 | Bushing               | Steel                                     | 1     | 816   | Power Side Bracket            | Cast iron<br>EN-GHJL-200 - EN 1561 | 1    |
| 111 | Mechanical seal       | -                                         | 1     | 817   | Opposite Side Bracket         | Cast iron<br>EN-GHJL-200 - EN 1561 | 1    |
| 174 | Discharge Bend        | Cast iron<br>EN-GHJL-200 - EN 1561        | 1     | 830   | Shaft                         | EN 1.4006 (AISI403)                | 1    |
| 193 | Oil Plug              | NBR/Stainless Steel                       | 1 set | 849-1 | Ball Bearing                  | -                                  | 1    |
| 275 | Impeller screw        | Stainless steel A2-70<br>class ISO 3506/1 | 1     | 849-2 | Ball Bearing                  | -                                  | 1    |
| 801 | Rotor                 | -                                         | 1     | 904   | Lifting Hanger                | Steel                              | 1    |
| 802 | Stator                | -                                         | 1     | 907   | Bearing Cover                 | Steel                              | 1    |

100DMLV (11÷22 kW)



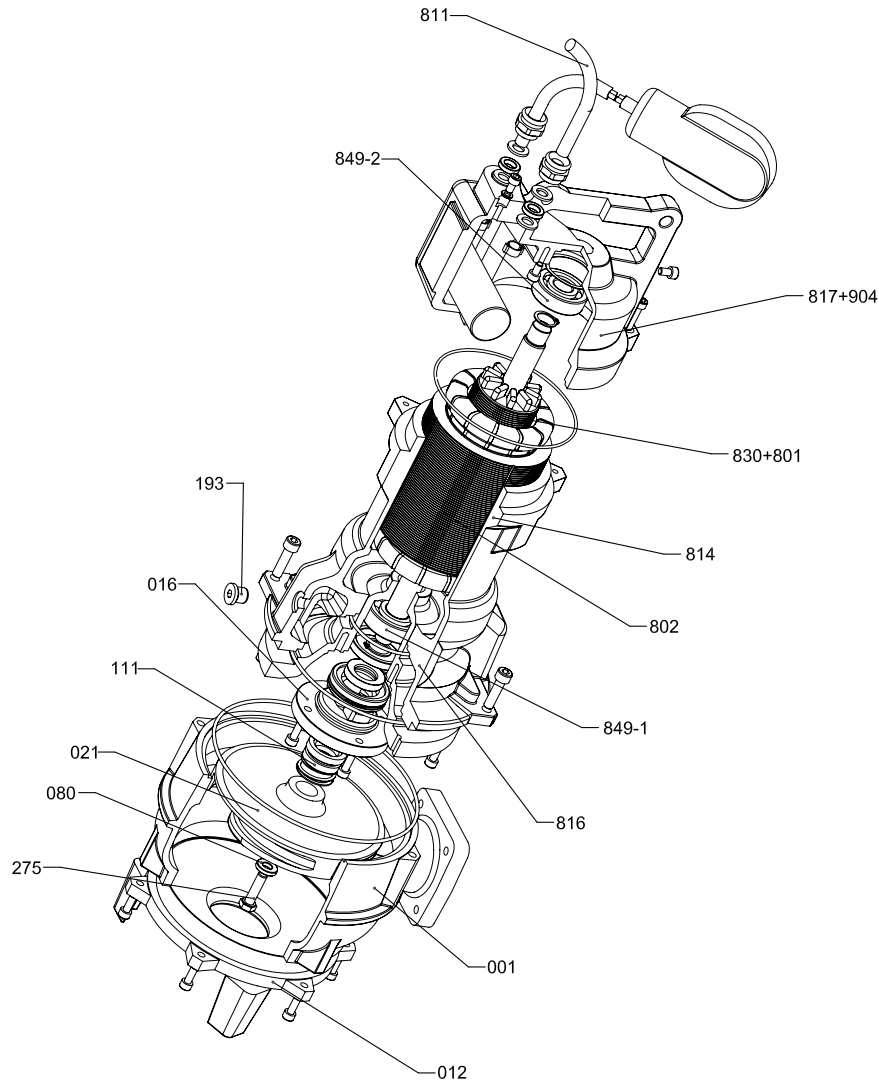
| N°  | PART.NAME             | MATERIAL                                                      | Q.TY  | N°    | PART.NAME                     | MATERIAL                           | Q.TY |
|-----|-----------------------|---------------------------------------------------------------|-------|-------|-------------------------------|------------------------------------|------|
| 001 | Pump Casing           | Cast iron<br>EN-GHJL-200 - EN 1561                            | 1     | 811-1 | Submersible Cable<br>(power)  | -                                  | 2    |
| 016 | Mechanical Seal Cover | Cast iron<br>EN-GHJL-200 - EN 1561                            | 1     | 811-2 | Submersible Cable<br>(signal) | -                                  | 1    |
| 021 | Impeller              | EN-GHJL-200-EN 1561 (11 kW)<br>EN-GJS-400 -EN 1563 (15-22 kW) | 1     | 814   | Motor Frame                   | Cast iron<br>EN-GHJL-200 - EN 1561 | 1    |
| 080 | Bushing               | Steel                                                         | 1     | 816   | Power Side Bracket            | Cast iron<br>EN-GHJL-200 - EN 1561 | 1    |
| 111 | Mechanical seal       | -                                                             | 1     | 817   | Opposite Side Bracket         | Cast iron<br>EN-GHJL-200 - EN 1561 | 1    |
| 174 | Discharge Bend        | Cast iron<br>EN-GHJL-200 - EN 1561                            | 1     | 830   | Shaft                         | EN 1.4006 (AISI403)                | 1    |
| 193 | Oil Plug              | NBR/Stainless Steel                                           | 1 set | 849-1 | Ball Bearing                  | -                                  | 1    |
| 275 | Impeller screw        | Stainless steel A2-70<br>class ISO 3506/1                     | 1     | 849-2 | Ball Bearing                  | -                                  | 1    |
| 801 | Rotor                 | -                                                             | 1     | 904   | Lifting Hanger                | Steel                              | 1    |
| 802 | Stator                | -                                                             | 1     | 907   | Bearing Cover                 | Steel                              | 1    |

40 DMLVF ( 0.5 kW )



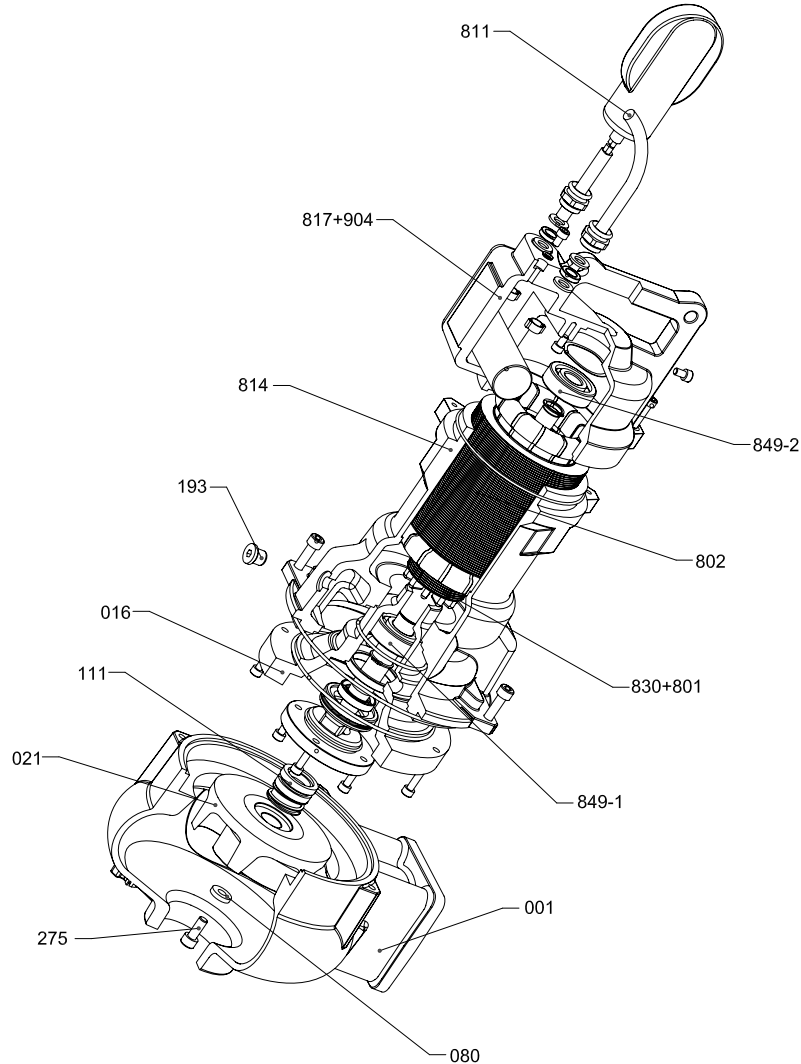
| N°    | PART NAME             | MATERIAL                | Q.TY |
|-------|-----------------------|-------------------------|------|
| 001   | CASING                | CAST IRON EN-GJL-250    | 1    |
| 021   | IMPELLER              | CAST IRON EN-GJL-250+Ni | 1    |
| 111   | MECHANICAL SEAL       | -                       | 1    |
| 193   | OIL PLUG              | NBR / STAINLESS STEEL   | 1    |
| 801   | ROTOR                 | -                       | 1    |
| 802   | STATOR                | -                       | 1    |
| 811   | SUBMERSIBLE CABLE     | -                       | 1    |
| 814   | MOTOR FRAME           | CAST IRON EN-GJL-250    | 1    |
| 817   | OPPOSITE SIDE BRACKET | CAST IRON EN-GJL-250    | 1    |
| 830   | SHAFT                 | AISI 420B               | 1    |
| 849-1 | BALL BEARING          | -                       | 1    |
| 849-2 | BALL BEARING          | -                       | 1    |
| 904   | LIFTING HANGER        | CAST IRON EN-GJL-250    | 1    |

**50 DMLVF ( 1.5÷1.9 kW )**



| N°    | PART NAME             | MATERIAL                | Q.TY |
|-------|-----------------------|-------------------------|------|
| 001   | CASING                | CAST IRON EN-GJL-250    | 1    |
| 012   | SUCTION COVER         | CAST IRON EN-GJL-250    | 1    |
| 016   | MECHANICAL SEAL COVER | CAST IRON EN-GJL-250    | 1    |
| 021   | IMPELLER              | CAST IRON EN-GJL-250+Ni | 1    |
| 080   | BUSHING               | STEEL                   | 1    |
| 111   | MECHANICAL SEAL       | -                       | 1    |
| 193   | OIL PLUG              | NBR / STAINLESS STEEL   | 1    |
| 275   | IMPELLER BOLT         | CLASS A2 AISI 304       | 1    |
| 801   | ROTOR                 | -                       | 1    |
| 802   | STATOR                | -                       | 1    |
| 811   | SUBMERSIBLE CABLE     | -                       | 1    |
| 814   | MOTOR FRAME           | CAST IRON EN-GJL-250    | 1    |
| 816   | POWER SIDE BRACKET    | CAST IRON EN-GJL-250    | 1    |
| 817   | OPPOSITE SIDE BRACKET | CAST IRON EN-GJL-250    | 1    |
| 830   | SHAFT                 | AISI 420B               | 1    |
| 849-1 | BALL BEARING          | -                       | 1    |
| 849-2 | BALL BEARING          | -                       | 1    |
| 904   | LIFTING HANDLE        | CAST IRON EN-GJL-250    | 1    |

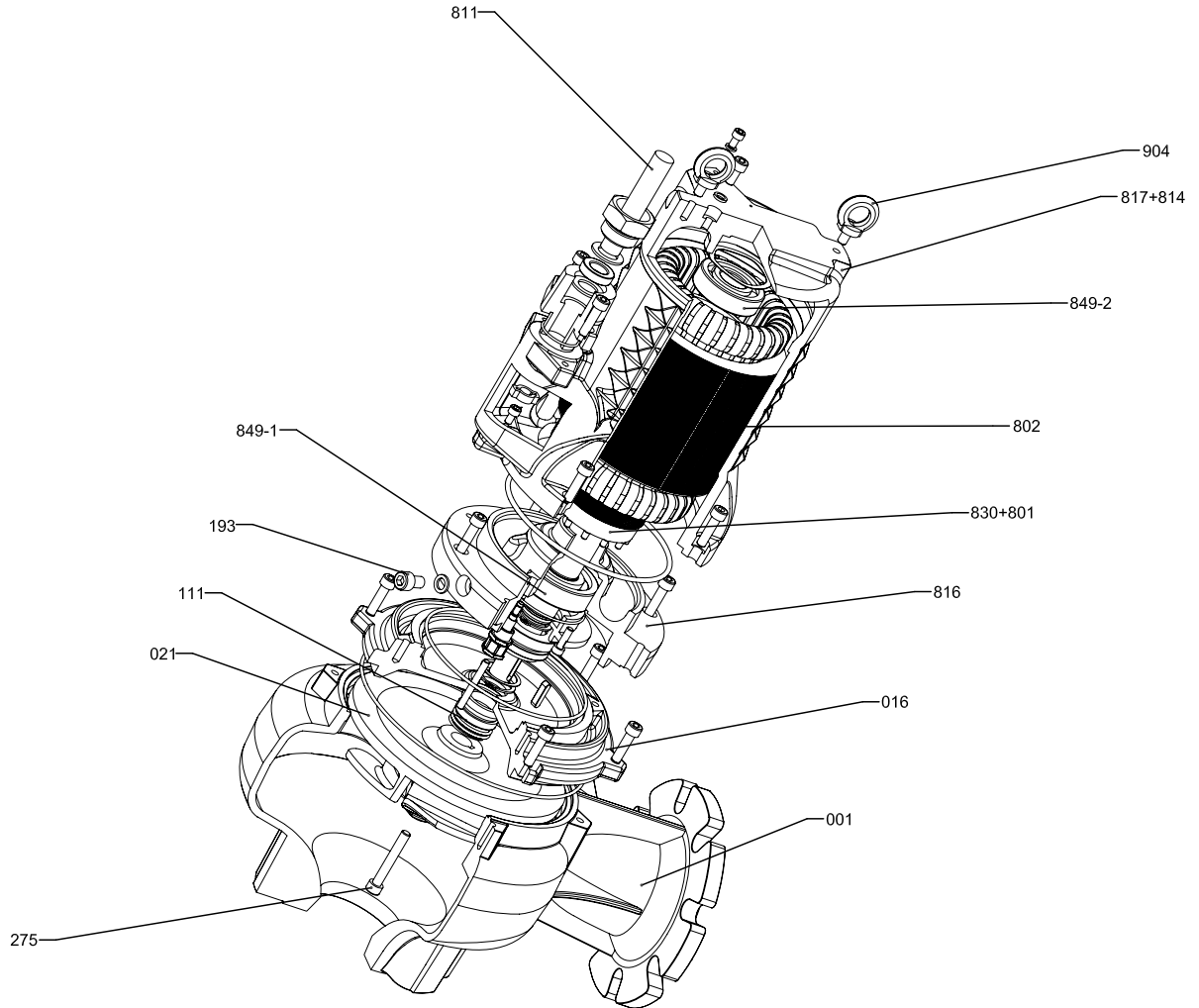
65 DMLVF (1.5 kW)



| N°    | PART NAME             | MATERIAL                | Q.TY |
|-------|-----------------------|-------------------------|------|
| 001   | CASING                | CAST IRON EN-GJL-250    | 1    |
| 021   | IMPELLER              | CAST IRON EN-GJL-250+Ni | 1    |
| 016   | MECHANICAL SEAL COVER | CAST IRON EN-GJL-250    | 1    |
| 080   | BUSHING               | STEEL                   | 1    |
| 111   | MECHANICAL SEAL       | -                       | 1    |
| 193   | OIL PLUG              | NBR / STAINLESS STEEL   | 1    |
| 275   | IMPELLER BOLT         | CLASS A2 AISI 304       | 1    |
| 801   | ROTOR                 | -                       | 1    |
| 802   | STATOR                | -                       | 1    |
| 811   | SUBMERSIBLE CABLE     | -                       | 1    |
| 814   | MOTOR FRAME           | CAST IRON EN-GJL-250    | 1    |
| 817   | OPPOSITE SIDE BRACKET | CAST IRON EN-GJL-250    | 1    |
| 830   | SHAFT                 | AISI 420B               | 1    |
| 849-1 | BALL BEARING          | -                       | 1    |
| 849-2 | BALL BEARING          | -                       | 1    |
| 904   | LIFTING HANGER        | CAST IRON EN-GJL-250    | 1    |

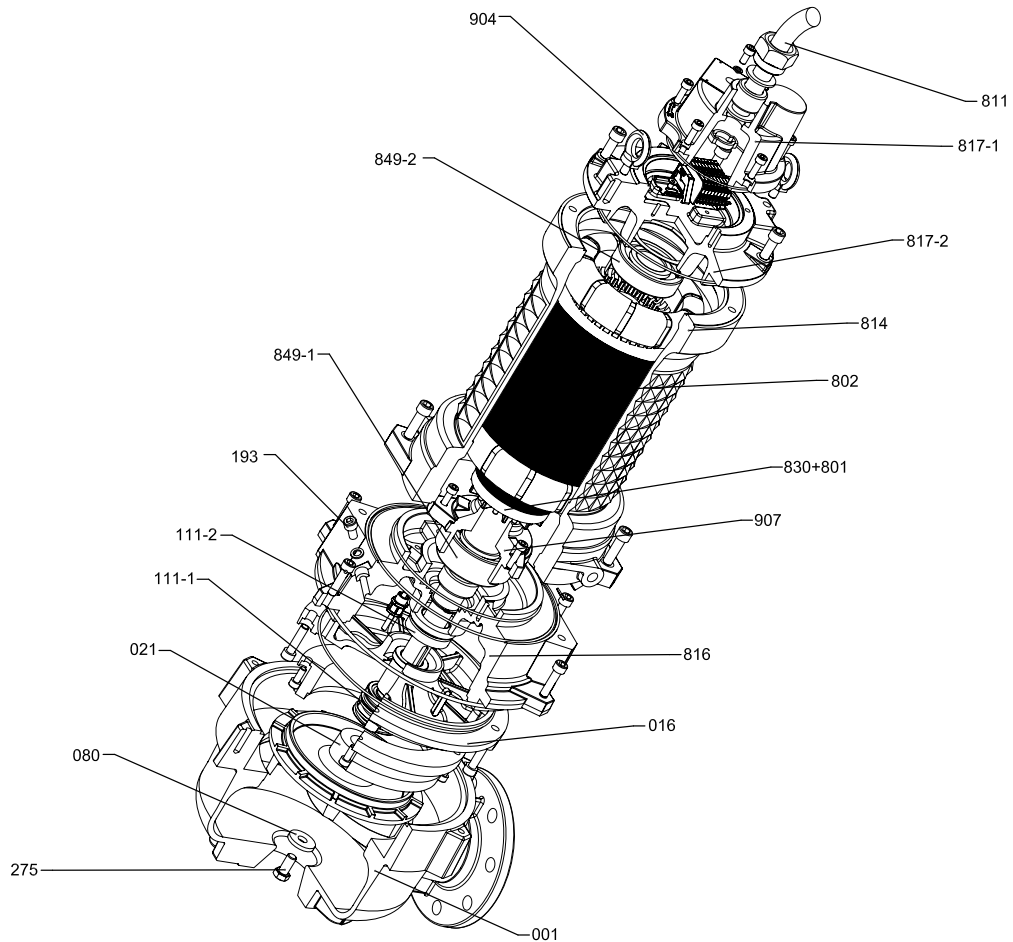


**80 DMLVF ( 4.9 kW )**



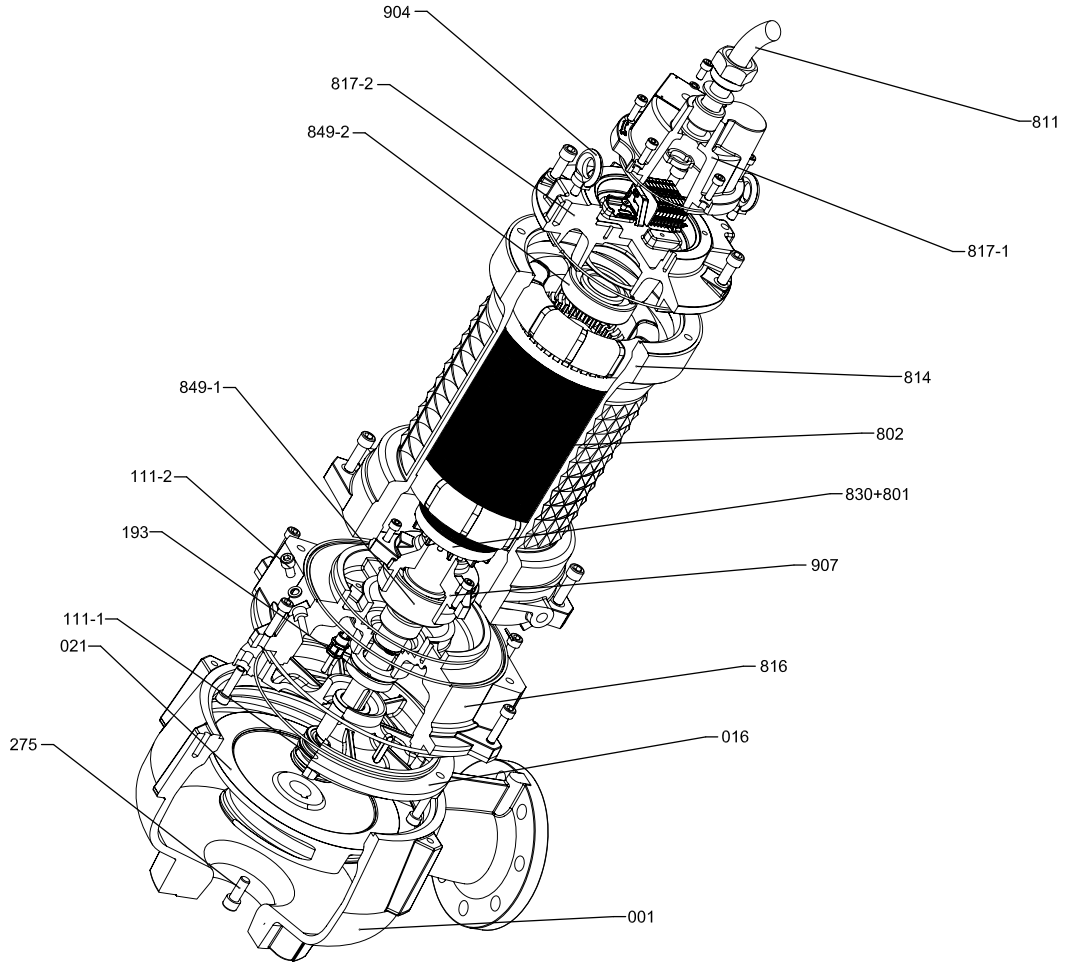
| N°    | PART NAME             | MATERIAL                | Q.TY |
|-------|-----------------------|-------------------------|------|
| 001   | CASING                | CAST IRON EN-GJL-250    | 1    |
| 016   | MECHANICAL SEAL COVER | CAST IRON EN-GJL-250    | 1    |
| 021   | IMPELLER              | CAST IRON EN-GJL-250+Ni | 1    |
| 111   | MECHANICAL SEAL       | -                       | 1    |
| 193   | OIL PLUG              | NBR / STAINLESS STEEL   | 1    |
| 275   | IMPELLER BOLT         | CLASS A2 AISI 304       | 1    |
| 801   | ROTOR                 | -                       | 1    |
| 802   | STATOR                | -                       | 1    |
| 811   | SUBMERSIBLE CABLE     | -                       | 1    |
| 814   | MOTOR FRAME           | CAST IRON EN-GJL-250    | 1    |
| 816   | POWER SIDE BRACKET    | CAST IRON EN-GJL-250    | 1    |
| 817   | OPPOSITE SIDE BRACKET | CAST IRON EN-GJL-250    | 1    |
| 830   | SHAFT                 | AISI 420B               | 1    |
| 849-1 | BALL BEARING          | -                       | 1    |
| 849-2 | BALL BEARING          | -                       | 1    |
| 904   | LIFTING HANGER        | STEEL                   | 2    |

**80 DMLVF ( 16.6 kW )**

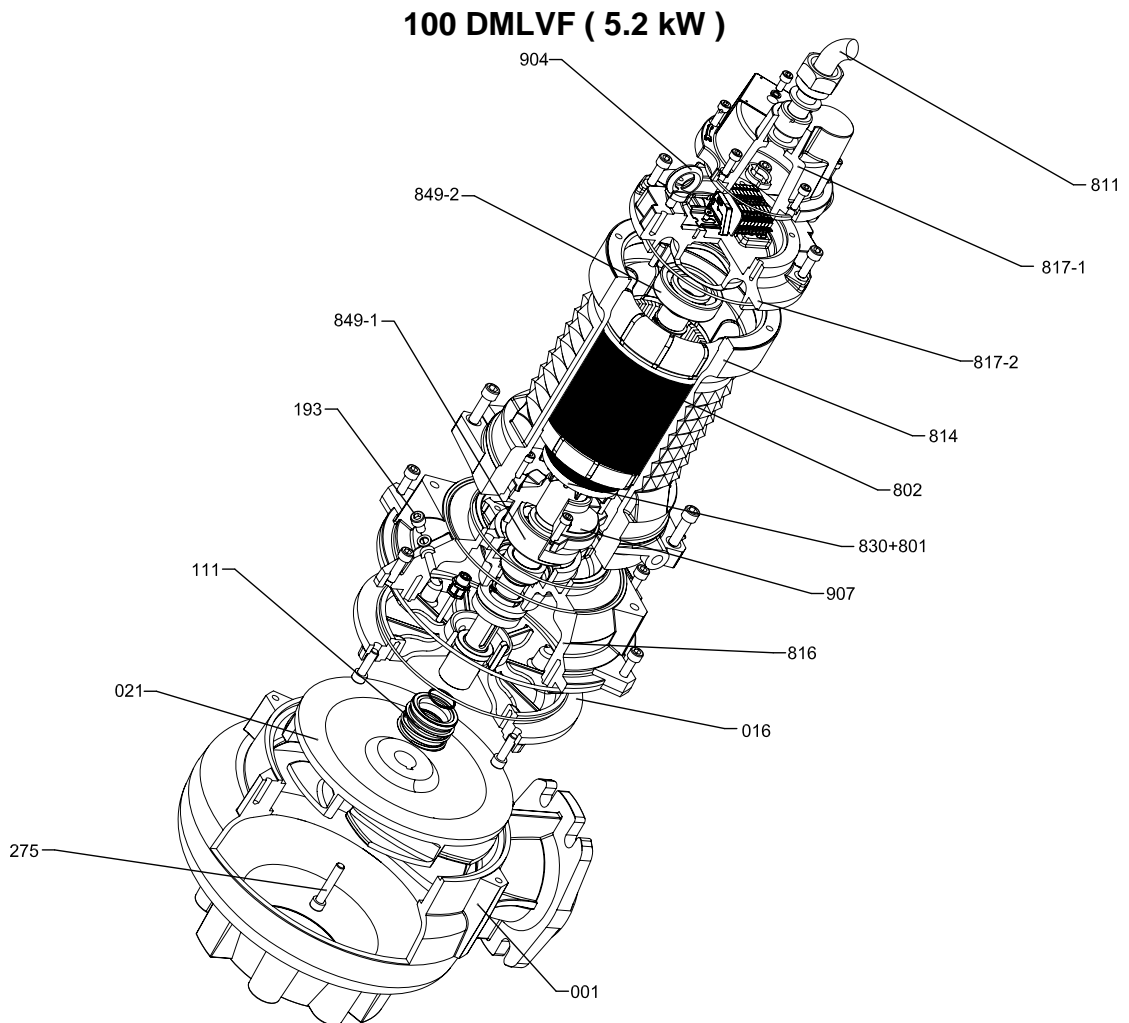


| N°    | PART NAME             | MATERIAL                | Q.TY | N°    | PART NAME             | MATERIAL             | Q.TY |
|-------|-----------------------|-------------------------|------|-------|-----------------------|----------------------|------|
| 001   | CASING                | CAST IRON EN-GJL-250    | 1    | 811   | SUBMERSIBLE CABLE     | -                    | 1    |
| 016   | MECHANICAL SEAL COVER | CAST IRON EN-GJL-250    | 1    | 814   | MOTOR FRAME           | CAST IRON EN-GJL-250 | 1    |
| 021   | IMPELLER              | CAST IRON EN-GJL-250+Ni | 1    | 816   | POWER SIDE BRACKET    | CAST IRON EN-GJL-250 | 1    |
| 080   | BUSHING               | STEEL                   | 1    | 817-1 | OPPOSITE SIDE BRACKET | CAST IRON EN-GJL-250 | 1    |
| 111-1 | MECHANICAL SEAL       | -                       | 1    | 817-2 | OPPOSITE SIDE BRACKET | CAST IRON EN-GJL-250 | 1    |
| 111-2 | MECHANICAL SEAL       | -                       | 1    | 830   | SHAFT                 | AISI 420B            | 1    |
| 193   | OIL PLUG              | NBR / STAINLESS STEEL   | 1    | 849-1 | BALL BEARING          | -                    | 1    |
| 275   | IMPELLER BOLT         | CLASS A2 AISI 304       | 1    | 849-2 | BALL BEARING          | -                    | 1    |
| 801   | ROTOR                 | -                       | 1    | 904   | LIFTING HANGER        | STEEL                | 2    |
| 802   | STATOR                | -                       | 1    | 907   | BEARING COVER         | CAST IRON EN-GJL-250 | 1    |

**80 DMLVF ( 18.2 kW )**

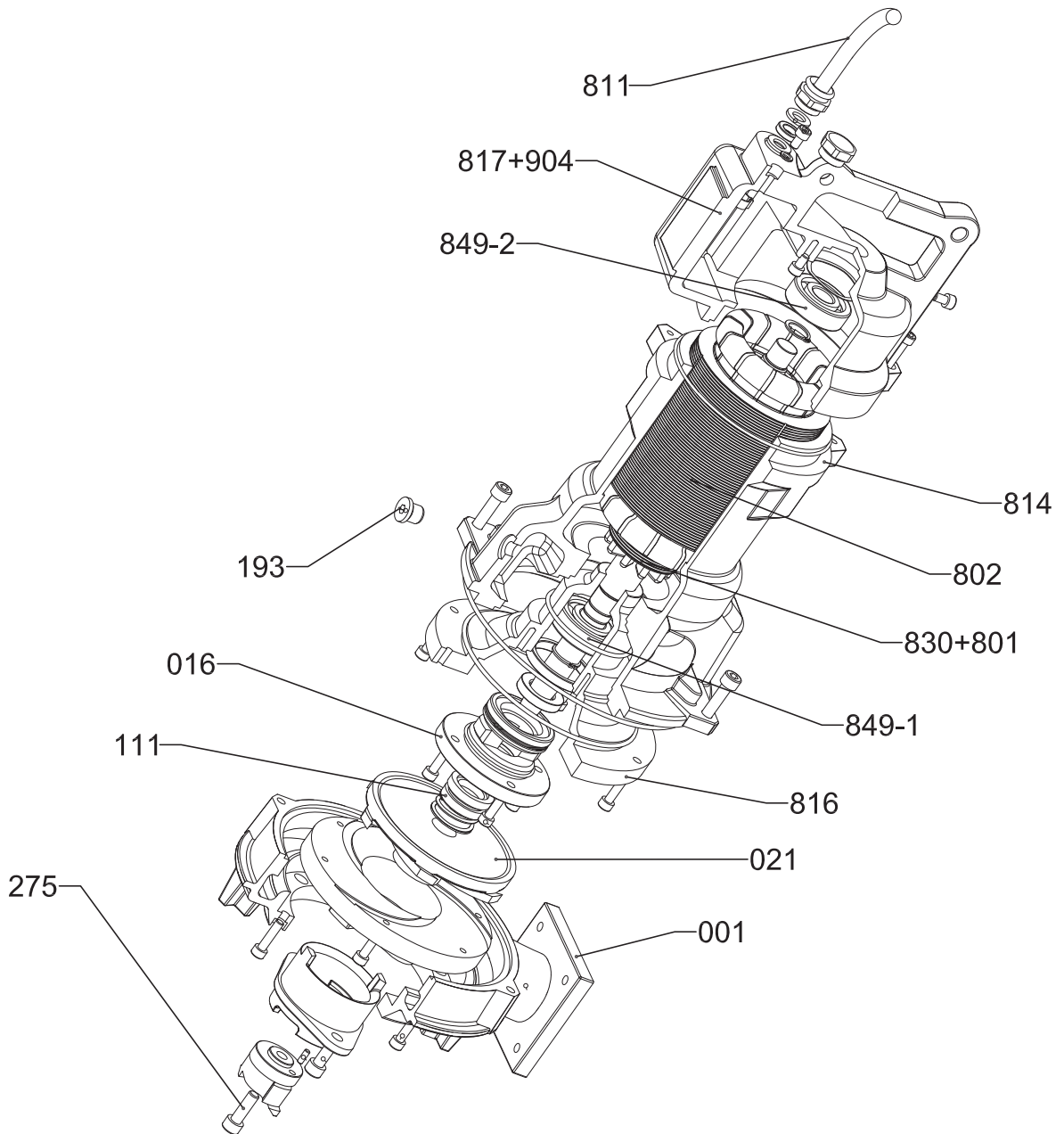


| N°    | PART NAME             | MATERIAL                | Q.TY | N°    | PART NAME             | MATERIAL             | Q.TY |
|-------|-----------------------|-------------------------|------|-------|-----------------------|----------------------|------|
| 001   | CASING                | CAST IRON EN-GJL-250    | 1    | 814   | MOTOR FRAME           | CAST IRON EN-GJL-250 | 1    |
| 016   | MECHANICAL SEAL COVER | CAST IRON EN-GJL-250    | 1    | 816   | POWER SIDE BRACKET    | CAST IRON EN-GJL-250 | 1    |
| 021   | IMPELLER              | CAST IRON EN-GJL-250+Ni | 1    | 817-1 | OPPOSITE SIDE BRACKER | CAST IRON EN-GJL-250 | 1    |
| 111-1 | MECHANICAL SEAL       | -                       | 1    | 817-2 | OPPOSITE SIDE BRACKER | CAST IRON EN-GJL-250 | 1    |
| 111-2 | MECHANICAL SEAL       | -                       | 1    | 830   | SHAFT                 | AISI 420B            | 1    |
| 193   | OIL PLUG              | NBR / STAINLESS STEEL   | 1    | 849-1 | BALL BEARING          | -                    | 1    |
| 275   | IMPELLER BOLT         | CLASS A2 AISI 304       | 1    | 849-2 | BALL BEARING          | -                    | 1    |
| 801   | ROTOR                 | -                       | 1    | 904   | LIFTING HANGER        | STEEL                | 2    |
| 802   | STATOR                | -                       | 1    | 907   | BEARING COVER         | CAST IRON EN-GJL-250 | 1    |
| 811   | SUBMERSIBLE CABLE     | -                       | 1    |       |                       |                      |      |



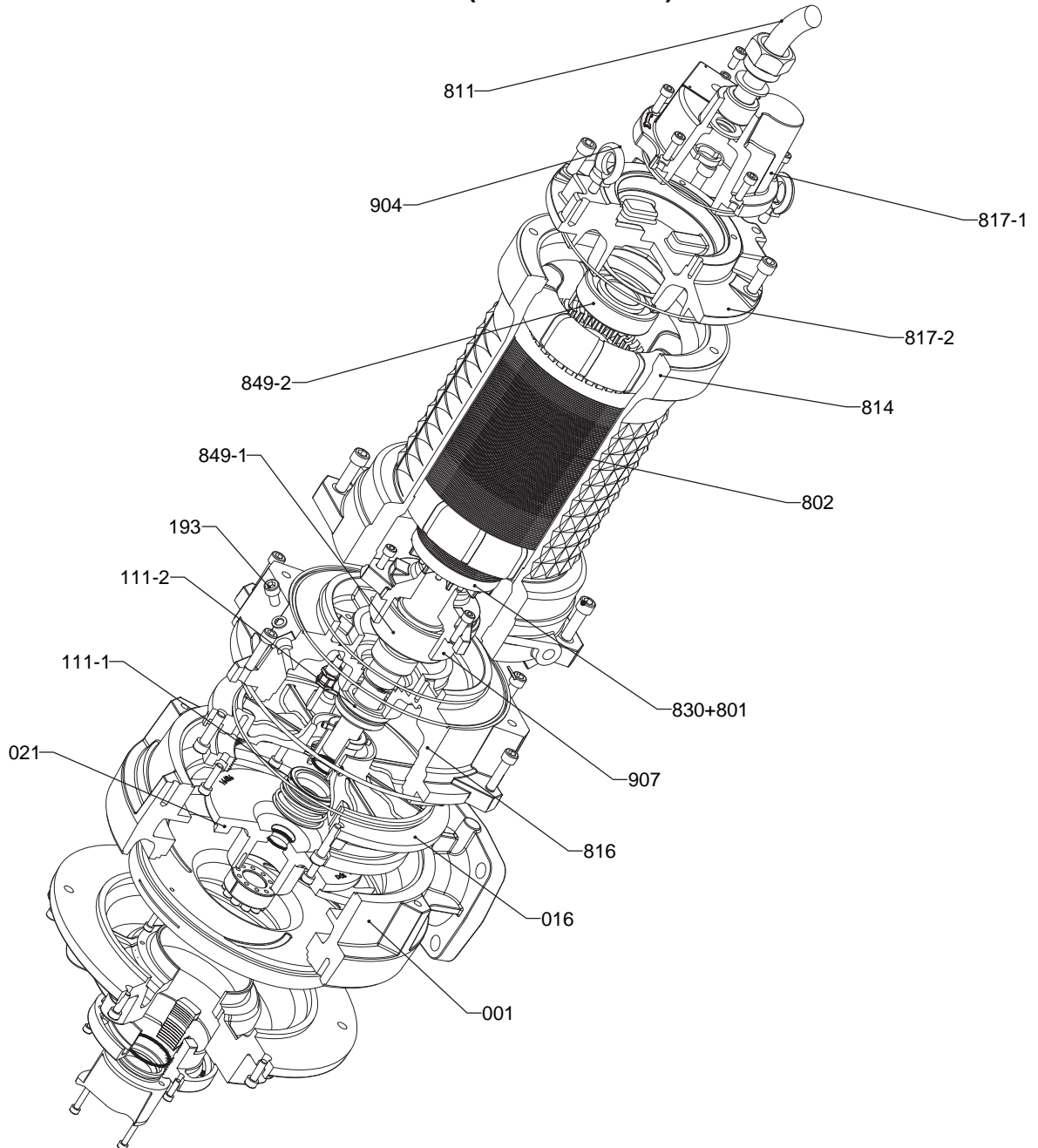
| N°    | PART NAME             | MATERIAL              | Q.TY |
|-------|-----------------------|-----------------------|------|
| 001   | CASING                | CAST IRON EN-GJL-250  | 1    |
| 016   | MECHANICAL SEAL COVER | CAST IRON EN-GJL-250  | 1    |
| 021   | IMPELLER              | CAST IRON EN-GJL-250  | 1    |
| 111   | MECHANICAL SEAL       | -                     | 1    |
| 193   | OIL PLUG              | NBR / STAINLESS STEEL | 1    |
| 275   | IMPELLER BOLT         | CLASS A2 AISI 304     | 1    |
| 801   | ROTOR                 | -                     | 1    |
| 802   | STATOR                | -                     | 1    |
| 811   | SUBMERSIBLE CABLE     | -                     | 1    |
| 814   | MOTOR FRAME           | CAST IRON EN-GJL-250  | 1    |
| 816   | POWER SIDE BRACKET    | CAST IRON EN-GJL-250  | 1    |
| 817-1 | OPPOSITE SIDE BRACKET | CAST IRON EN-GJL-250  | 1    |
| 817-2 | OPPOSITE SIDE BRACKET | CAST IRON EN-GJL-250  | 1    |
| 830   | SHAFT                 | AISI 420B             | 1    |
| 849-1 | BALL BEARING          | -                     | 1    |
| 849-2 | BALL BEARING          | -                     | 1    |
| 904   | LIFTING HANGER        | STEEL                 | 2    |
| 907   | BEARING COVER         | CAST IRON EN-GJL-250  | 1    |

40 DRS ( 1.1 ÷ 5.0 kW )



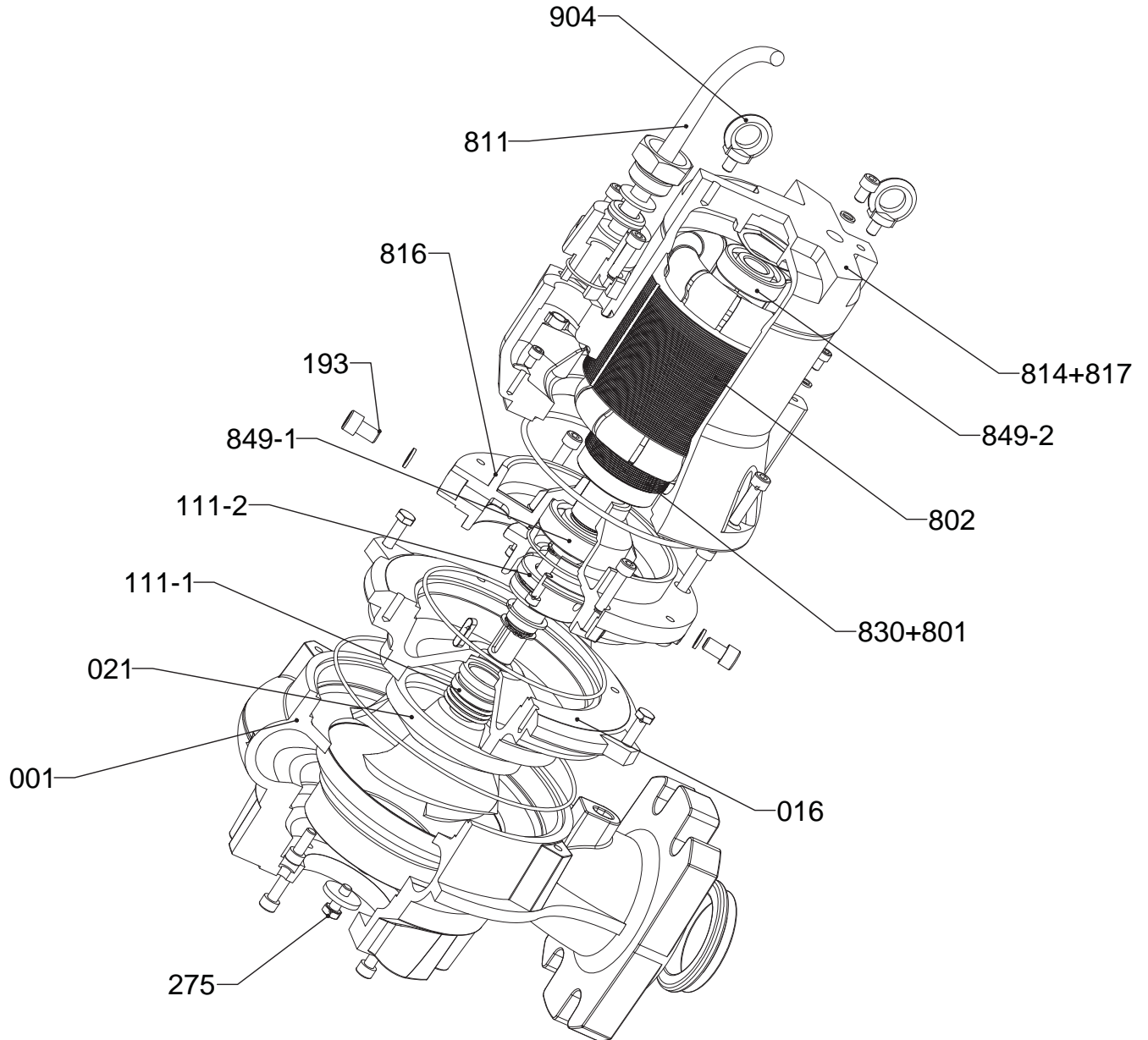
| N°  | PART NAME             | MATERIAL                      | Q.TY | N°    | PART NAME             | MATERIAL             | Q.TY |
|-----|-----------------------|-------------------------------|------|-------|-----------------------|----------------------|------|
| 001 | CASING                | CAST IRON EN-GJL-250          | 1    | 814   | MOTOR FRAME           | CAST IRON EN-GJL-250 | 1    |
| 016 | MECHANICAL SEAL COVER | CAST IRON EN-GJL-250          | 1    | 816   | POWER SIDE BRACKET    | CAST IRON EN-GJL-250 | 1    |
| 021 | IMPELLER              | DUCTILE IRON GS400 UNI-EN1563 | 1    | 817   | OPPOSITE SIDE BRACKET | CAST IRON EN-GJL-250 | 1    |
| 111 | MECHANICAL SEAL       | -                             | 1    | 830   | SHAFT                 | AISI 420B            | 1    |
| 193 | OIL PLUG              | NBR / STAINLESS STEEL         | 1    | 849-1 | BALL BEARING          | -                    | 1    |
| 275 | IMPELLER BOLT         | CLASS A2 AISI 304             | 1    | 849-2 | BALL BEARING          | -                    | 1    |
| 801 | ROTOR                 | -                             | 1    | 904   | LIFTING HANGER        | STEEL                | 2    |
| 802 | STATOR                | -                             | 1    |       |                       |                      |      |
| 811 | SUBMERSIBLE CABLE     | -                             | 1    |       |                       |                      |      |

**65 DRS ( 6.5 ÷ 25.1 kW )**



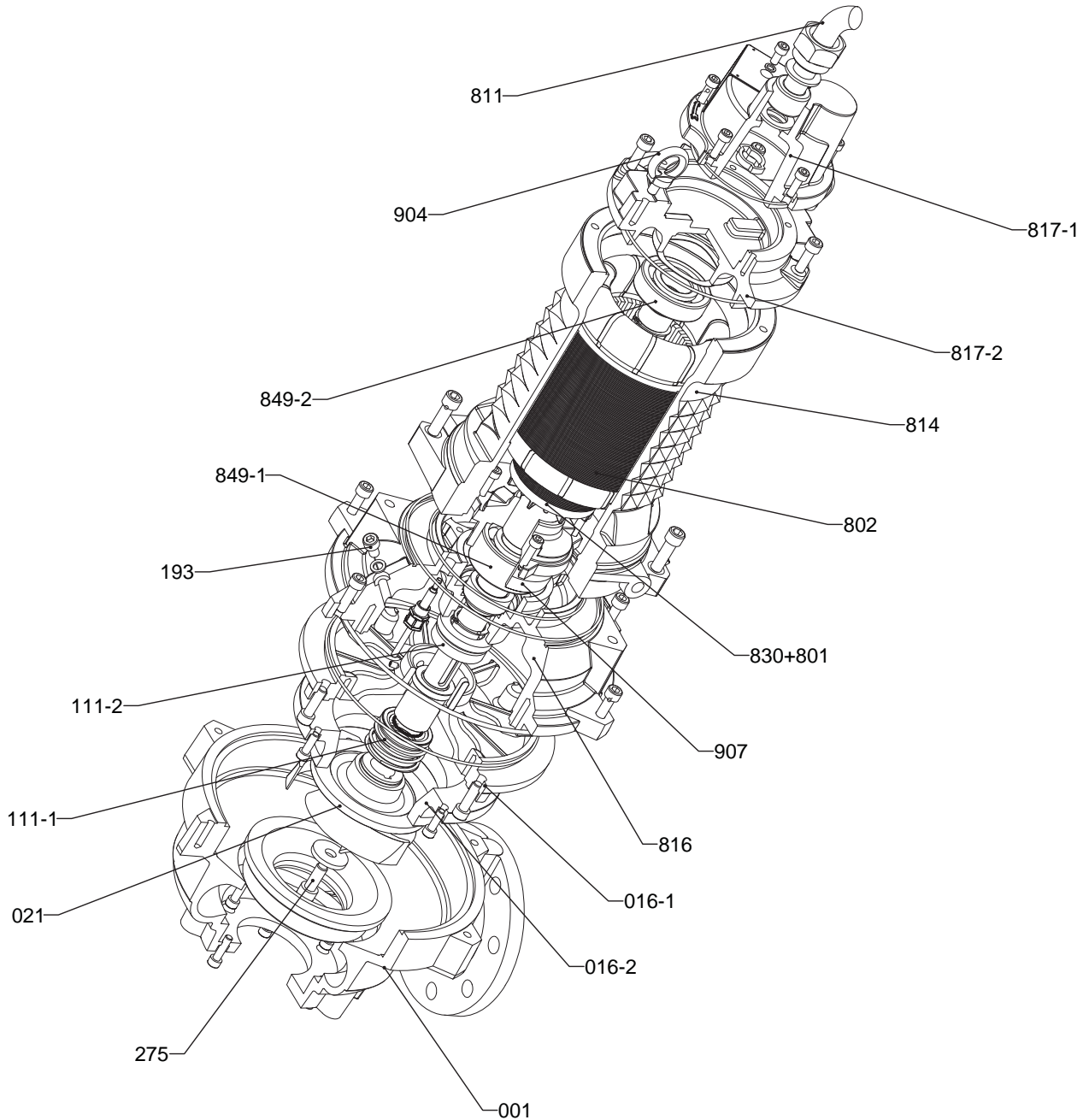
| N°    | PART NAME             | MATERIAL                      | Q.TY | N°    | PART NAME             | MATERIAL             | Q.TY |
|-------|-----------------------|-------------------------------|------|-------|-----------------------|----------------------|------|
| 001   | CASING                | CAST IRON EN-GJL-250          | 1    | 814   | MOTOR FRAME           | CAST IRON EN-GJL-250 | 1    |
| 016   | MECHANICAL SEAL COVER | CAST IRON EN-GJL-250          | 1    | 816   | POWER SIDE BRACKET    | CAST IRON EN-GJL-250 | 1    |
| 021   | IMPELLER              | DUCTILE IRON GS400 UNI-EN1563 | 1    | 817-1 | OPPOSITE SIDE BRACKET | CAST IRON EN-GJL-250 | 1    |
| 111-1 | MECHANICAL SEAL       | -                             | 1    | 817-2 | OPPOSITE SIDE BRACKET | CAST IRON EN-GJL-250 | 1    |
| 111-2 | MECHANICAL SEAL       | -                             | 1    | 830   | SHAFT                 | AISI 420B            | 1    |
| 193   | OIL PLUG              | NBR / STAINLESS STEEL         | 1    | 849-1 | BALL BEARING          | -                    | 1    |
| 275   | IMPELLER BOLT         | CLASS A2 AISI 304             | 1    | 849-2 | BALL BEARING          | -                    | 1    |
| 801   | ROTOR                 | -                             | 1    | 904   | LIFTING HANGER        | STEEL                | 2    |
| 802   | STATOR                | -                             | 1    | 907   | BEARING COVER         | CAST IRON EN-GJL-250 | 1    |
| 811   | SUBMERSIBLE CABLE     | -                             | 1    |       |                       |                      |      |

**65 DRD ( 3.1 ÷ 3.6 kW )**



| N°    | PART NAME             | MATERIAL                      | Q.TY | N°    | PART NAME             | MATERIAL             | Q.TY |
|-------|-----------------------|-------------------------------|------|-------|-----------------------|----------------------|------|
| 001   | CASING                | CAST IRON EN-GJL-250          | 1    | 814   | MOTOR FRAME           | CAST IRON EN-GJL-250 | 1    |
| 016   | MECHANICAL SEAL COVER | CAST IRON EN-GJL-250          | 1    | 816   | POWER SIDE BRACKET    | CAST IRON EN-GJL-250 | 1    |
| 021   | IMPELLER              | DUCTILE IRON GS400 UNI-EN1563 | 1    | 817   | OPPOSITE SIDE BRACKET | CAST IRON EN-GJL-250 | 1    |
| 111-1 | MECHANICAL SEAL       | -                             | 1    | 830   | SHAFT                 | AISI 420B            | 1    |
| 111-2 | MECHANICAL SEAL       | -                             | 1    | 849-1 | BALL BEARING          | -                    | 1    |
| 193   | OIL PLUG              | NBR / STAINLESS STEEL         | 1    | 849-2 | BALL BEARING          | -                    | 1    |
| 275   | IMPELLER BOLT         | CLASS A2 AISI 304             | 1    | 904   | LIFTING HANGER        | STEEL                | 2    |
| 801   | ROTOR                 | -                             | 1    |       |                       |                      |      |
| 802   | STATOR                | -                             | 1    |       |                       |                      |      |
| 811   | SUBMERSIBLE CABLE     | -                             | 1    |       |                       |                      |      |

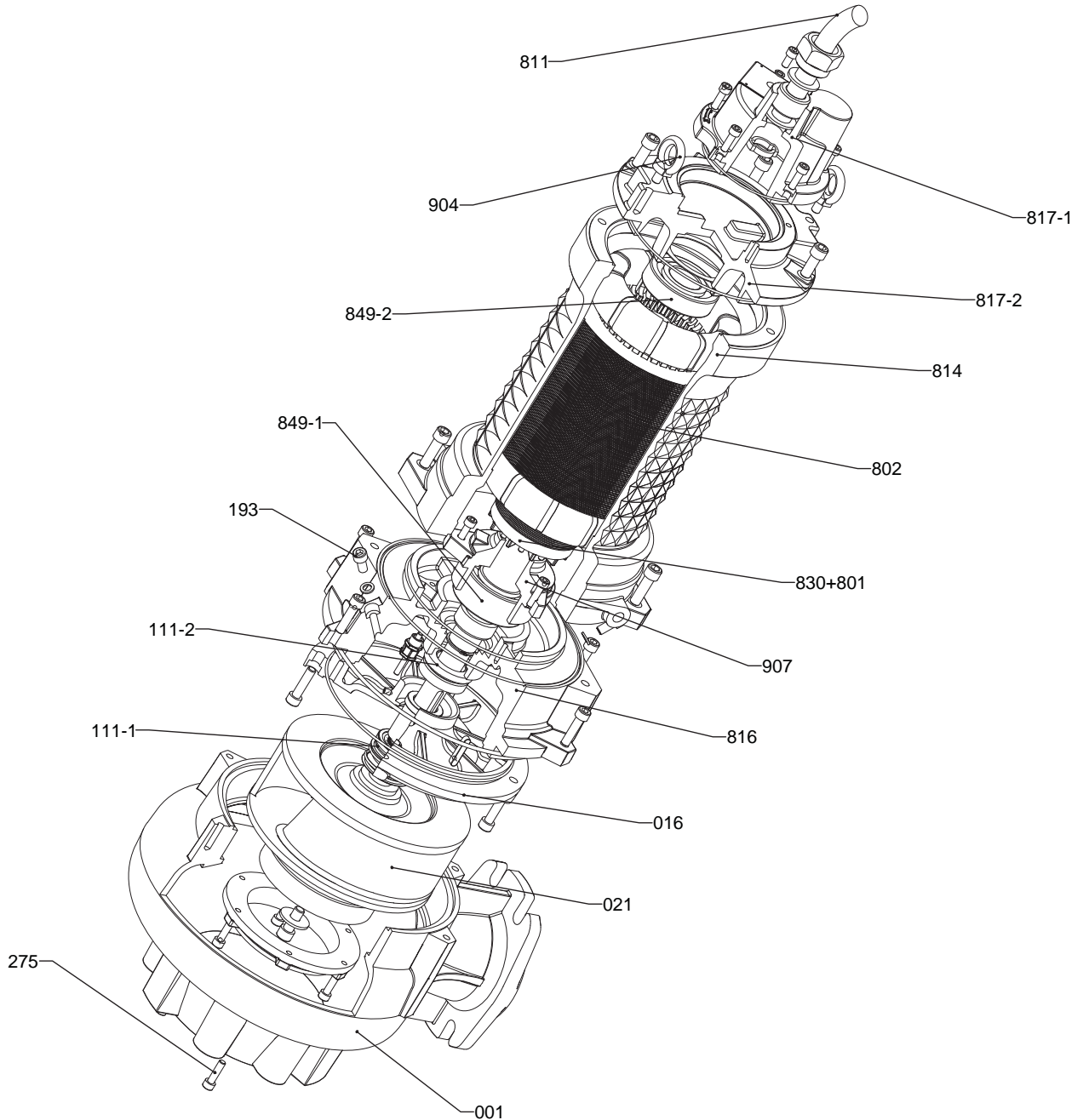
**80 DRD ( 5.0 ÷ 7.5 kW )**



| N°    | PART NAME             | MATERIAL                      | Q.TY | N°    | PART NAME             | MATERIAL             | Q.TY |
|-------|-----------------------|-------------------------------|------|-------|-----------------------|----------------------|------|
| 001   | CASING                | CAST IRON EN-GJL-250          | 1    | 811   | SUBMERSIBLE CABLE     | -                    | 1    |
| 016-1 | MECHANICAL SEAL COVER | CAST IRON EN-GJL-250          | 1    | 814   | MOTOR FRAME           | CAST IRON EN-GJL-250 | 1    |
| 016-2 | MECHANICAL SEAL COVER | CAST IRON EN-GJL-250          | 1    | 816   | POWER SIDE BRACKET    | CAST IRON EN-GJL-250 | 1    |
| 021   | IMPELLER              | DUCTILE IRON GS400 UNI-EN1563 | 1    | 817-1 | OPPOSITE SIDE BRACKET | CAST IRON EN-GJL-250 | 1    |
| 111-1 | MECHANICAL SEAL       | -                             | 1    | 817-2 | OPPOSITE SIDE BRACKET | CAST IRON EN-GJL-250 | 1    |
| 111-2 | MECHANICAL SEAL       | -                             | 1    | 830   | SHAFT                 | AISI 420B            | 1    |
| 193   | OIL PLUG              | NBR / STAINLESS STEEL         | 1    | 849-1 | BALL BEARING          | -                    | 1    |
| 275   | IMPELLER BOLT         | CLASS A2 AISI 304             | 1    | 849-2 | BALL BEARING          | -                    | 1    |
| 801   | ROTOR                 | -                             | 1    | 904   | LIFTING HANGER        | STEEL                | 2    |
| 802   | STATOR                | -                             | 1    | 907   | BEARING COVER         | CAST IRON EN-GJL-250 | 1    |

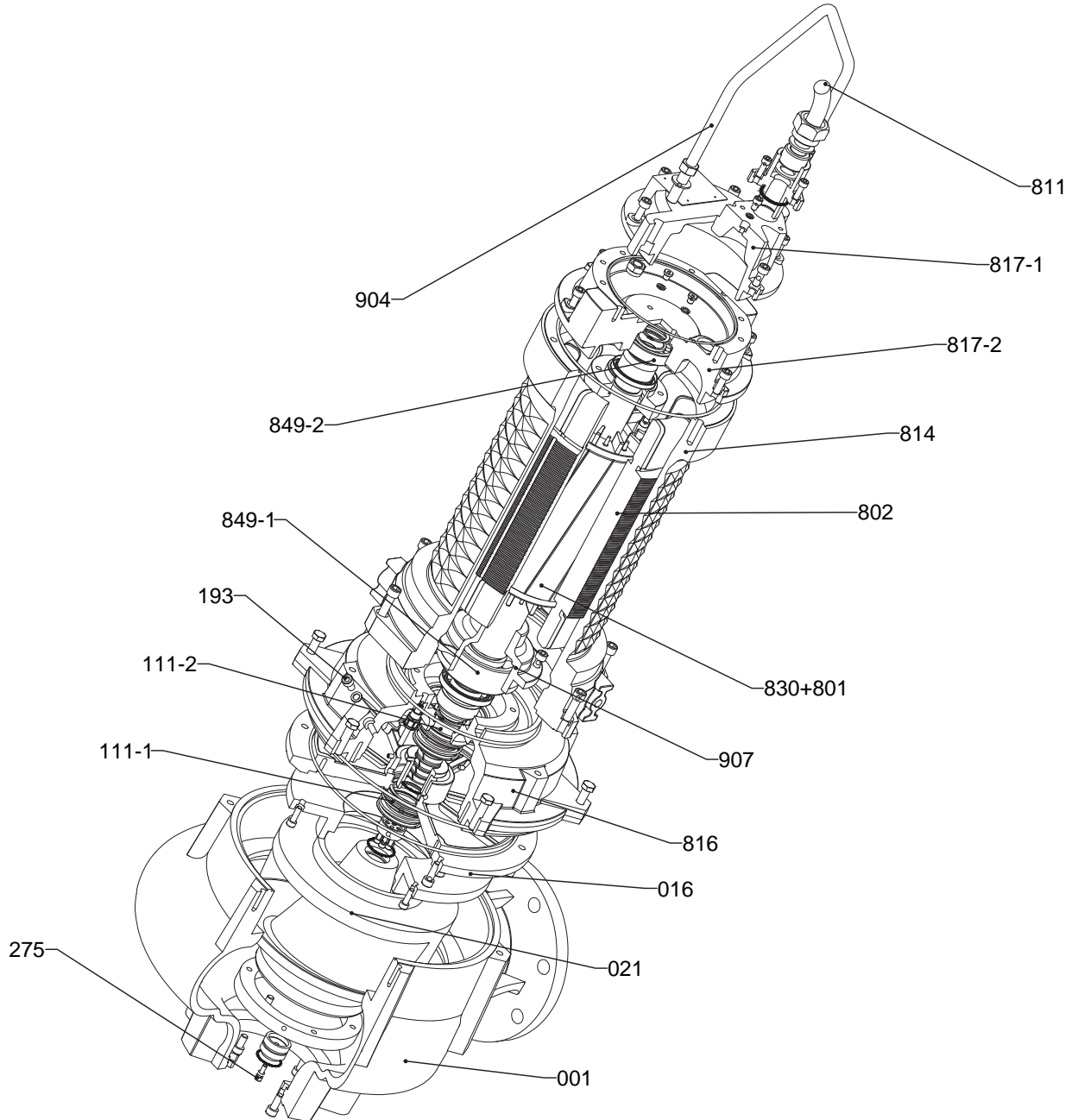


**100 DRD ( 2.7 ÷ 20.0 kW )**



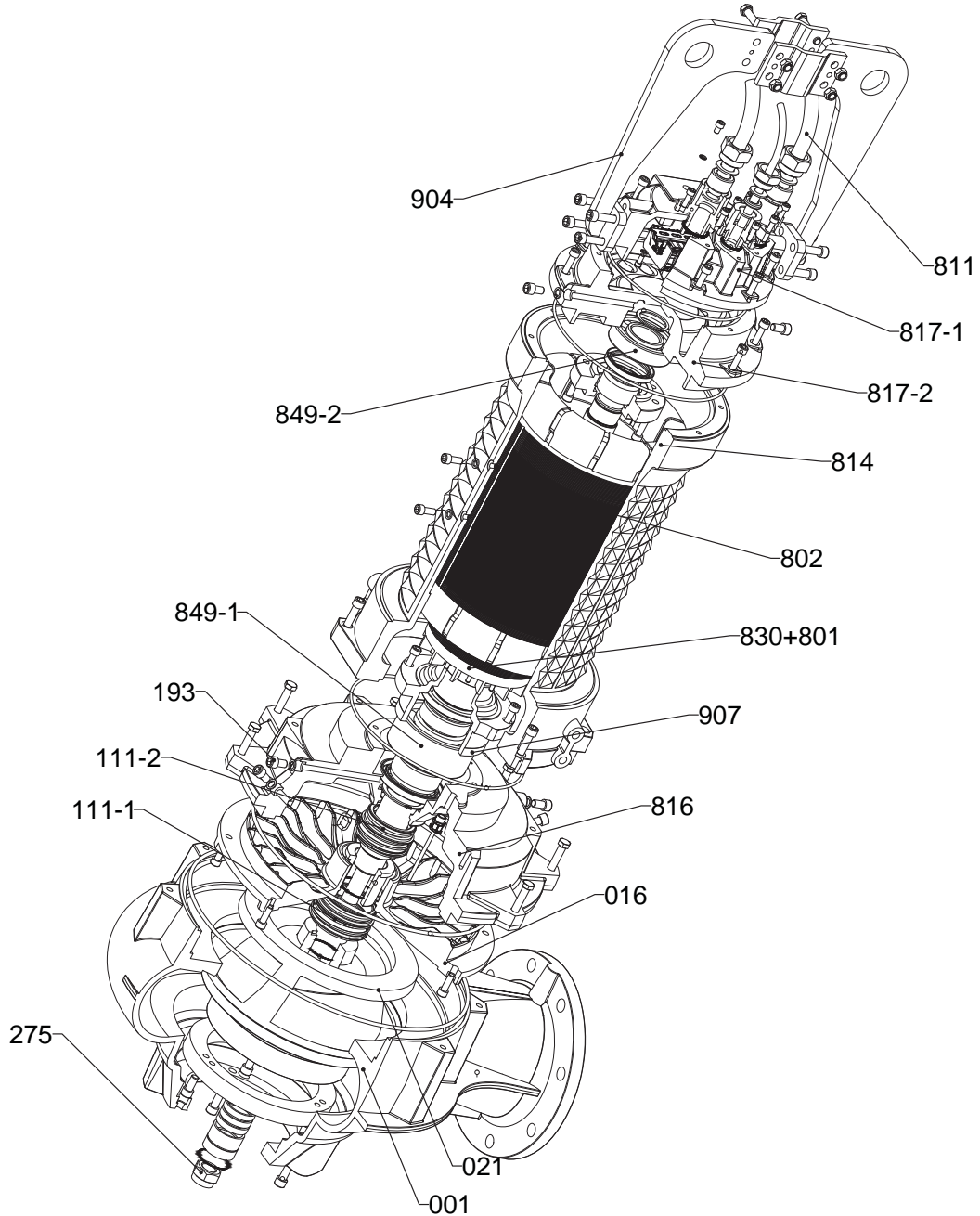
| N°    | PART NAME             | MATERIAL                      | Q.TY | N°    | PART NAME             | MATERIAL             | Q.TY |
|-------|-----------------------|-------------------------------|------|-------|-----------------------|----------------------|------|
| 001   | CASING                | CAST IRON EN-GJL-250          | 1    | 814   | MOTOR FRAME           | CAST IRON EN-GJL-250 | 1    |
| 016   | MECHANICAL SEAL COVER | CAST IRON EN-GJL-250          | 1    | 816   | POWER SIDE BRACKET    | CAST IRON EN-GJL-250 | 1    |
| 021   | IMPELLER              | DUCTILE IRON GS400 UNI-EN1563 | 1    | 817-1 | OPPOSITE SIDE BRACKET | CAST IRON EN-GJL-250 | 1    |
| 111-1 | MECHANICAL SEAL       | -                             | 1    | 817-2 | OPPOSITE SIDE BRACKET | CAST IRON EN-GJL-250 | 1    |
| 111-2 | MECHANICAL SEAL       | -                             | 1    | 830   | SHAFT                 | AISI 420B            | 1    |
| 193   | OIL PLUG              | NBR / STAINLESS STEEL         | 1    | 849-1 | BALL BEARING          | -                    | 1    |
| 275   | IMPELLER BOLT         | CLASS A2 AISI 304             | 1    | 849-2 | BALL BEARING          | -                    | 1    |
| 801   | ROTOR                 | -                             | 1    | 904   | LIFTING HANGER        | STEEL                | 2    |
| 802   | STATOR                | -                             | 1    | 907   | BEARING COVER         | CAST IRON EN-GJL-250 | 1    |
| 811   | SUBMERSIBLE CABLE     | -                             | 1    |       |                       |                      |      |

150 DRD ( 6.0 ÷ 80.0 kW )



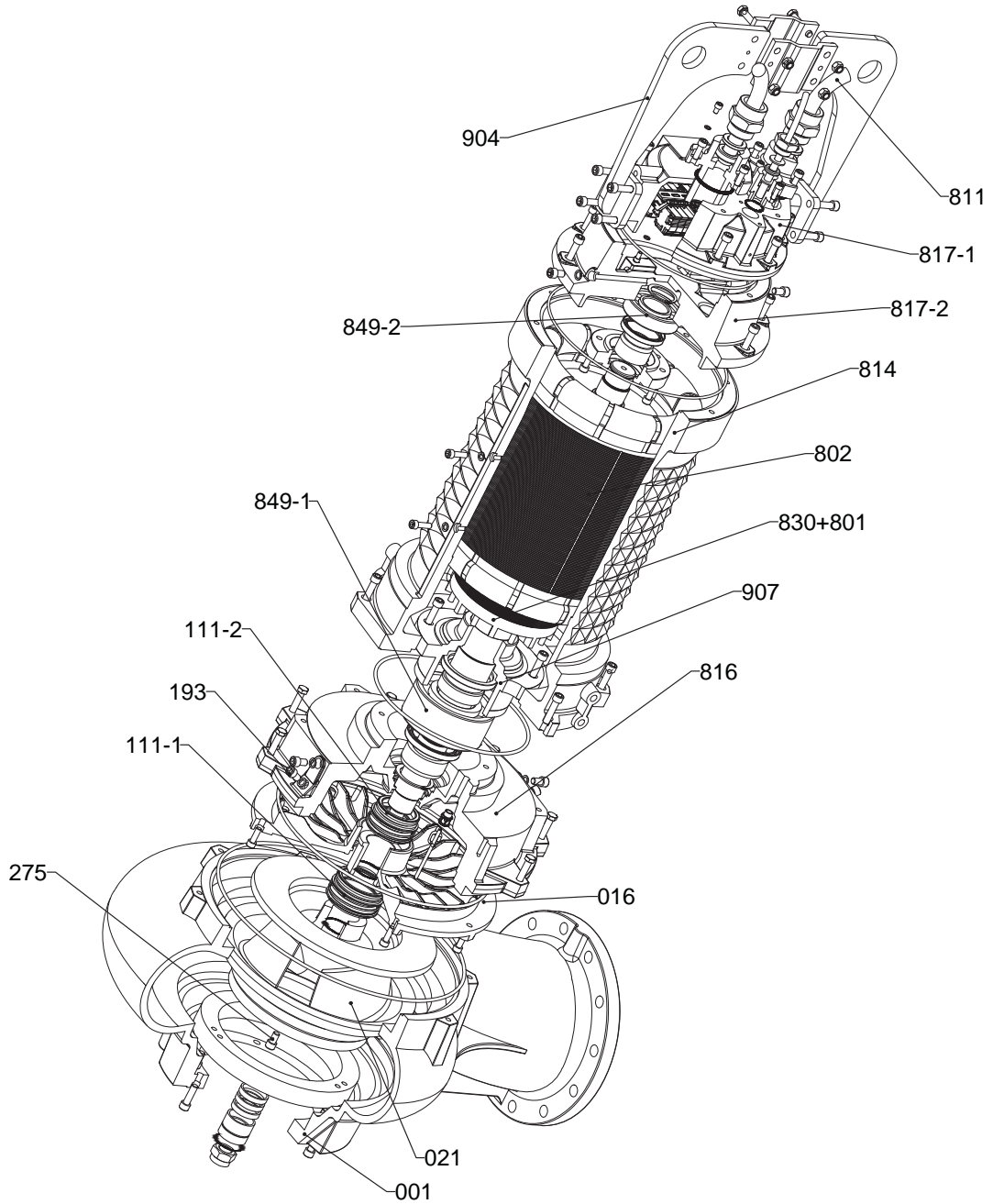
| N°    | PART NAME             | MATERIAL                      | Q.TY | N°    | PART NAME             | MATERIAL             | Q.TY |
|-------|-----------------------|-------------------------------|------|-------|-----------------------|----------------------|------|
| 001   | CASING                | CAST IRON EN-GJL-250          | 1    | 814   | MOTOR FRAME           | CAST IRON EN-GJL-250 | 1    |
| 016   | MECHANICAL SEAL COVER | CAST IRON EN-GJL-250          | 1    | 816   | POWER SIDE BRACKET    | CAST IRON EN-GJL-250 | 1    |
| 021   | IMPELLER              | DUCTILE IRON GS400 UNI-EN1563 | 1    | 817-1 | OPPOSITE SIDE BRACKET | CAST IRON EN-GJL-250 | 1    |
| 111-1 | MECHANICAL SEAL       | -                             | 1    | 817-2 | OPPOSITE SIDE BRACKET | CAST IRON EN-GJL-250 | 1    |
| 111-2 | MECHANICAL SEAL       | -                             | 1    | 830   | SHAFT                 | AISI 420B            | 1    |
| 193   | OIL PLUG              | NBR / STAINLESS STEEL         | 1    | 849-1 | BALL BEARING          | -                    | 1    |
| 275   | IMPELLER BOLT         | CLASS A2 AISI 304             | 1    | 849-2 | BALL BEARING          | -                    | 1    |
| 801   | ROTOR                 | -                             | 1    | 904   | LIFTING HANGER        | STEEL                | 2    |
| 802   | STATOR                | -                             | 1    | 907   | BEARING COVER         | CAST IRON EN-GJL-250 | 1    |
| 811   | SUBMERSIBLE CABLE     | -                             | 1    |       |                       |                      |      |

200 DRD ( 6.0 ÷ 48.0 kW )



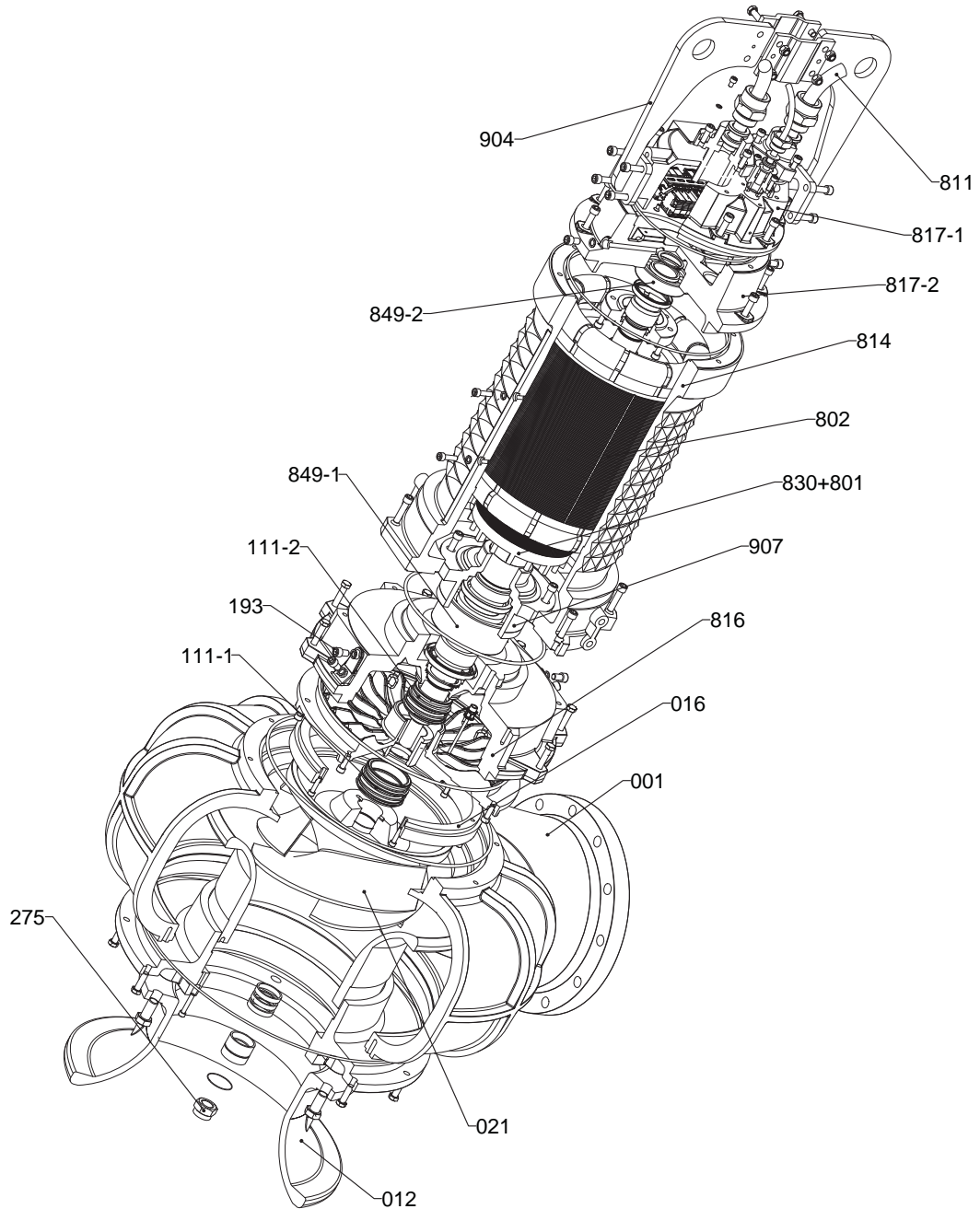
| N°    | PART NAME             | MATERIAL                      | Q.TY | N°    | PART NAME             | MATERIAL             | Q.TY |
|-------|-----------------------|-------------------------------|------|-------|-----------------------|----------------------|------|
| 001   | CASING                | CAST IRON EN-GJL-250          | 1    | 814   | MOTOR FRAME           | CAST IRON EN-GJL-250 | 1    |
| 016   | MECHANICAL SEAL COVER | CAST IRON EN-GJL-250          | 1    | 816   | POWER SIDE BRACKET    | CAST IRON EN-GJL-250 | 1    |
| 021   | IMPELLER              | DUCTILE IRON GS400 UNI-EN1563 | 1    | 817-1 | OPPOSITE SIDE BRACKET | CAST IRON EN-GJL-250 | 1    |
| 111-1 | MECHANICAL SEAL       | -                             | 1    | 817-2 | OPPOSITE SIDE BRACKET | CAST IRON EN-GJL-250 | 1    |
| 111-2 | MECHANICAL SEAL       | -                             | 1    | 830   | SHAFT                 | AISI 420B            | 1    |
| 193   | OIL PLUG              | NBR / STAINLESS STEEL         | 1    | 849-1 | BALL BEARING          | -                    | 1    |
| 275   | IMPELLER BOLT         | CLASS A2 AISI 304             | 1    | 849-2 | BALL BEARING          | -                    | 1    |
| 801   | ROTOR                 | -                             | 1    | 904   | LIFTING HANGER        | STEEL                | 2    |
| 802   | STATOR                | -                             | 1    | 907   | BEARING COVER         | CAST IRON EN-GJL-250 | 1    |
| 811   | SUBMERSIBLE CABLE     | -                             | 1    |       |                       |                      |      |

250 DRD ( 12.4 ÷ 85.0 kW )



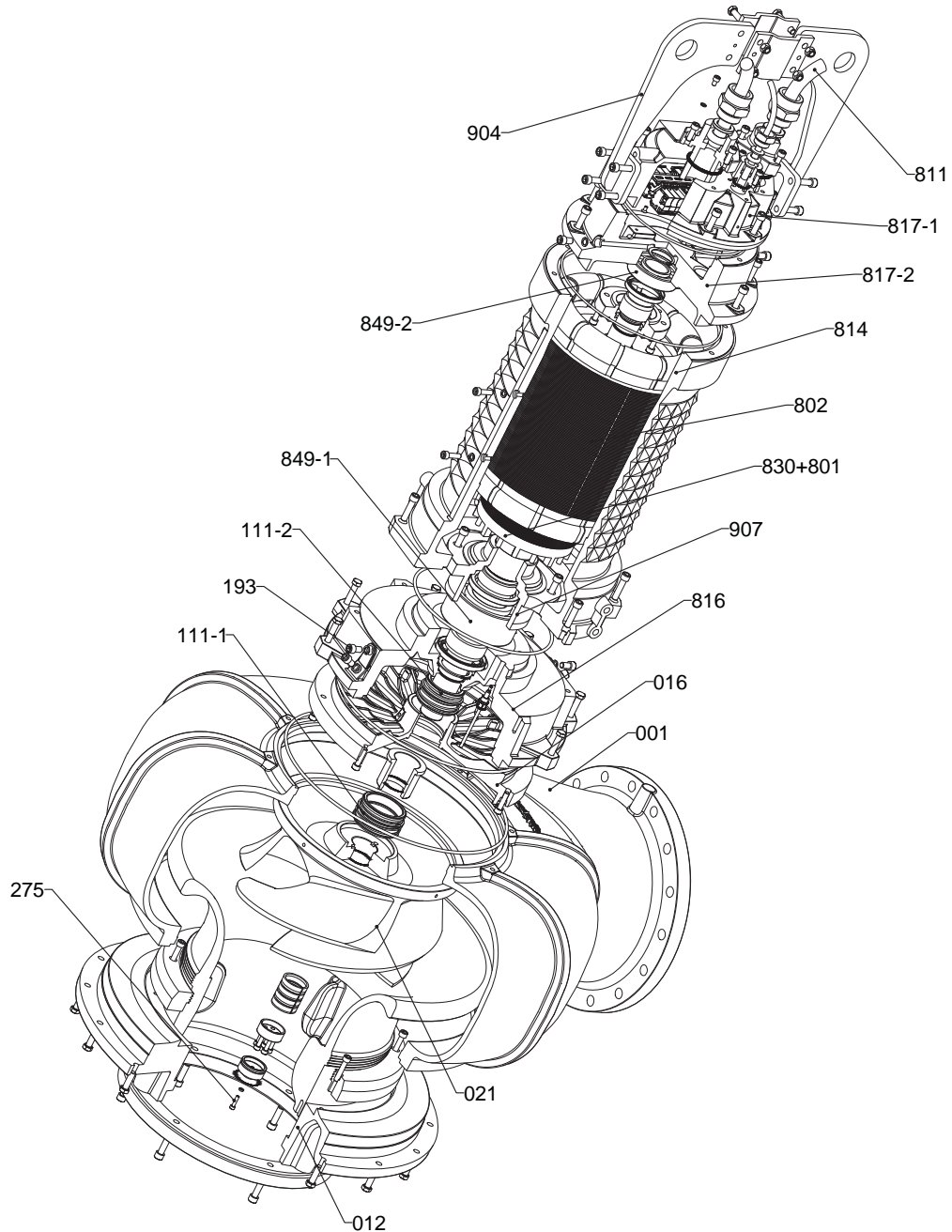
| N°    | PART NAME             | MATERIAL                      | Q.TY | N°    | PART NAME             | MATERIAL             | Q.TY |
|-------|-----------------------|-------------------------------|------|-------|-----------------------|----------------------|------|
| 001   | CASING                | CAST IRON EN-GJL-250          | 1    | 814   | MOTOR FRAME           | CAST IRON EN-GJL-250 | 1    |
| 016   | MECHANICAL SEAL COVER | CAST IRON EN-GJL-250          | 1    | 816   | POWER SIDE BRACKET    | CAST IRON EN-GJL-250 | 1    |
| 021   | IMPELLER              | DUCTILE IRON GS400 UNI-EN1563 | 1    | 817-1 | OPPOSITE SIDE BRACKET | CAST IRON EN-GJL-250 | 1    |
| 111-1 | MECHANICAL SEAL       | -                             | 1    | 817-2 | OPPOSITE SIDE BRACKET | CAST IRON EN-GJL-250 | 1    |
| 111-2 | MECHANICAL SEAL       | -                             | 1    | 830   | SHAFT                 | AISI 420B            | 1    |
| 193   | OIL PLUG              | NBR / STAINLESS STEEL         | 1    | 849-1 | BALL BEARING          | -                    | 1    |
| 275   | IMPELLER BOLT         | CLASS A2 AISI 304             | 1    | 849-2 | BALL BEARING          | -                    | 1    |
| 801   | ROTOR                 | -                             | 1    | 904   | LIFTING HANGER        | STEEL                | 2    |
| 802   | STATOR                | -                             | 1    | 907   | BEARING COVER         | CAST IRON EN-GJL-250 | 1    |
| 811   | SUBMERSIBLE CABLE     | -                             | 1    |       |                       |                      |      |

300 DRD ( 21.8 ÷ 65.0 kW )



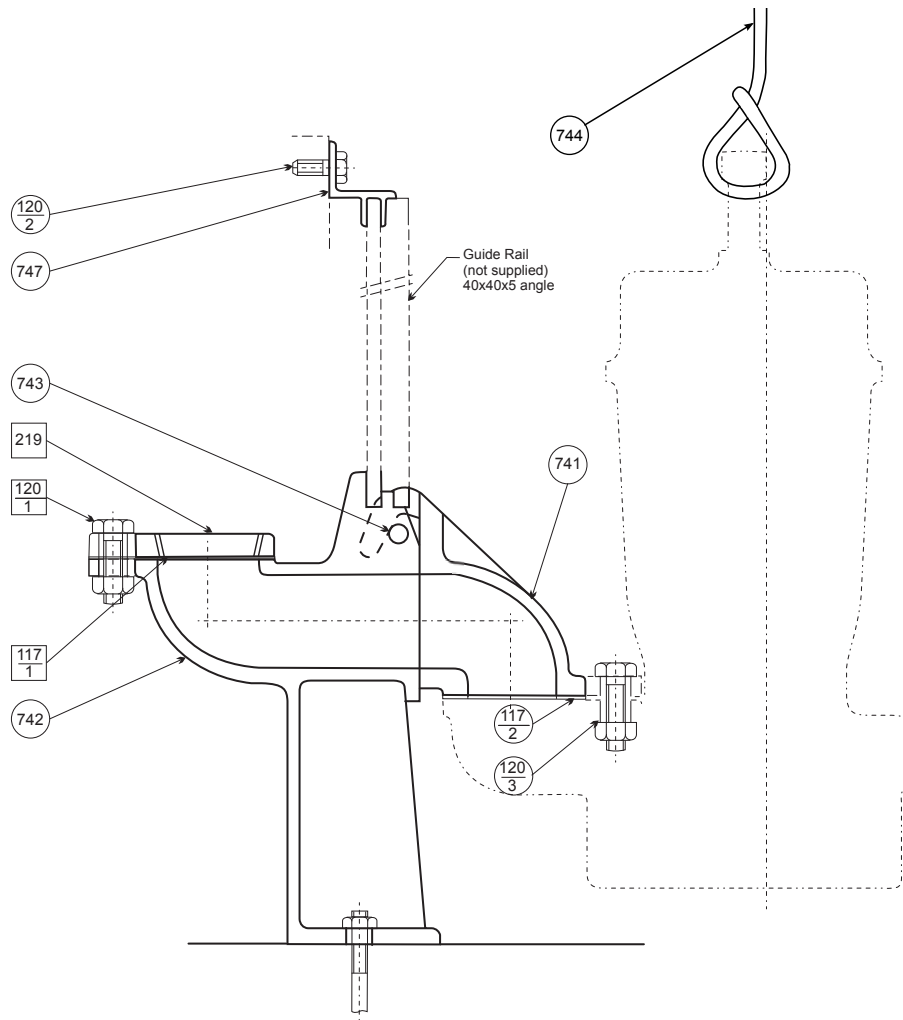
| N°    | PART NAME             | MATERIAL                      | Q.TY | N°    | PART NAME             | MATERIAL             | Q.TY |
|-------|-----------------------|-------------------------------|------|-------|-----------------------|----------------------|------|
| 001   | CASING                | CAST IRON EN-GJL-250          | 1    | 814   | MOTOR FRAME           | CAST IRON EN-GJL-250 | 1    |
| 016   | MECHANICAL SEAL COVER | CAST IRON EN-GJL-250          | 1    | 816   | POWER SIDE BRACKET    | CAST IRON EN-GJL-250 | 1    |
| 021   | IMPELLER              | DUCTILE IRON GS400 UNI-EN1563 | 1    | 817-1 | OPPOSITE SIDE BRACKET | CAST IRON EN-GJL-250 | 1    |
| 111-1 | MECHANICAL SEAL       | -                             | 1    | 817-2 | OPPOSITE SIDE BRACKET | CAST IRON EN-GJL-250 | 1    |
| 111-2 | MECHANICAL SEAL       | -                             | 1    | 830   | SHAFT                 | AISI 420B            | 1    |
| 193   | OIL PLUG              | NBR / STAINLESS STEEL         | 1    | 849-1 | BALL BEARING          | -                    | 1    |
| 275   | IMPELLER BOLT         | CLASS A2 AISI 304             | 1    | 849-2 | BALL BEARING          | -                    | 1    |
| 801   | ROTOR                 | -                             | 1    | 904   | LIFTING HANGER        | STEEL                | 2    |
| 802   | STATOR                | -                             | 1    | 907   | BEARING COVER         | CAST IRON EN-GJL-250 | 1    |
| 811   | SUBMERSIBLE CABLE     | -                             | 1    | 012   | SUCTION COVER         | CAST IRON EN-GJL-250 | 1    |

350 DRD ( 40.0 ÷ 45.0 Kw )



| N°    | PART NAME             | MATERIAL                      | Q.TY | N°    | PART NAME             | MATERIAL             | Q.TY |
|-------|-----------------------|-------------------------------|------|-------|-----------------------|----------------------|------|
| 001   | CASING                | CAST IRON EN-GJL-250          | 1    | 814   | MOTOR FRAME           | CAST IRON EN-GJL-250 | 1    |
| 016   | MECHANICAL SEAL COVER | CAST IRON EN-GJL-250          | 1    | 816   | POWER SIDE BRACKET    | CAST IRON EN-GJL-250 | 1    |
| 021   | IMPELLER              | DUCTILE IRON GS400 UNI-EN1563 | 1    | 817-1 | OPPOSITE SIDE BRACKET | CAST IRON EN-GJL-250 | 1    |
| 111-1 | MECHANICAL SEAL       | -                             | 1    | 817-2 | OPPOSITE SIDE BRACKET | CAST IRON EN-GJL-250 | 1    |
| 111-2 | MECHANICAL SEAL       | -                             | 1    | 830   | SHAFT                 | AISI 420B            | 1    |
| 193   | OIL PLUG              | NBR / STAINLESS STEEL         | 1    | 849-1 | BALL BEARING          | -                    | 1    |
| 275   | IMPELLER BOLT         | CLASS A2 AISI 304             | 1    | 849-2 | BALL BEARING          | -                    | 1    |
| 801   | ROTOR                 | -                             | 1    | 904   | LIFTING HANGER        | STEEL                | 2    |
| 802   | STATOR                | -                             | 1    | 907   | BEARING COVER         | CAST IRON EN-GJL-250 | 1    |
| 811   | SUBMERSIBLE CABLE     | -                             | 1    | 012   | SUCTION COVER         | CAST IRON EN-GJL-250 | 1    |

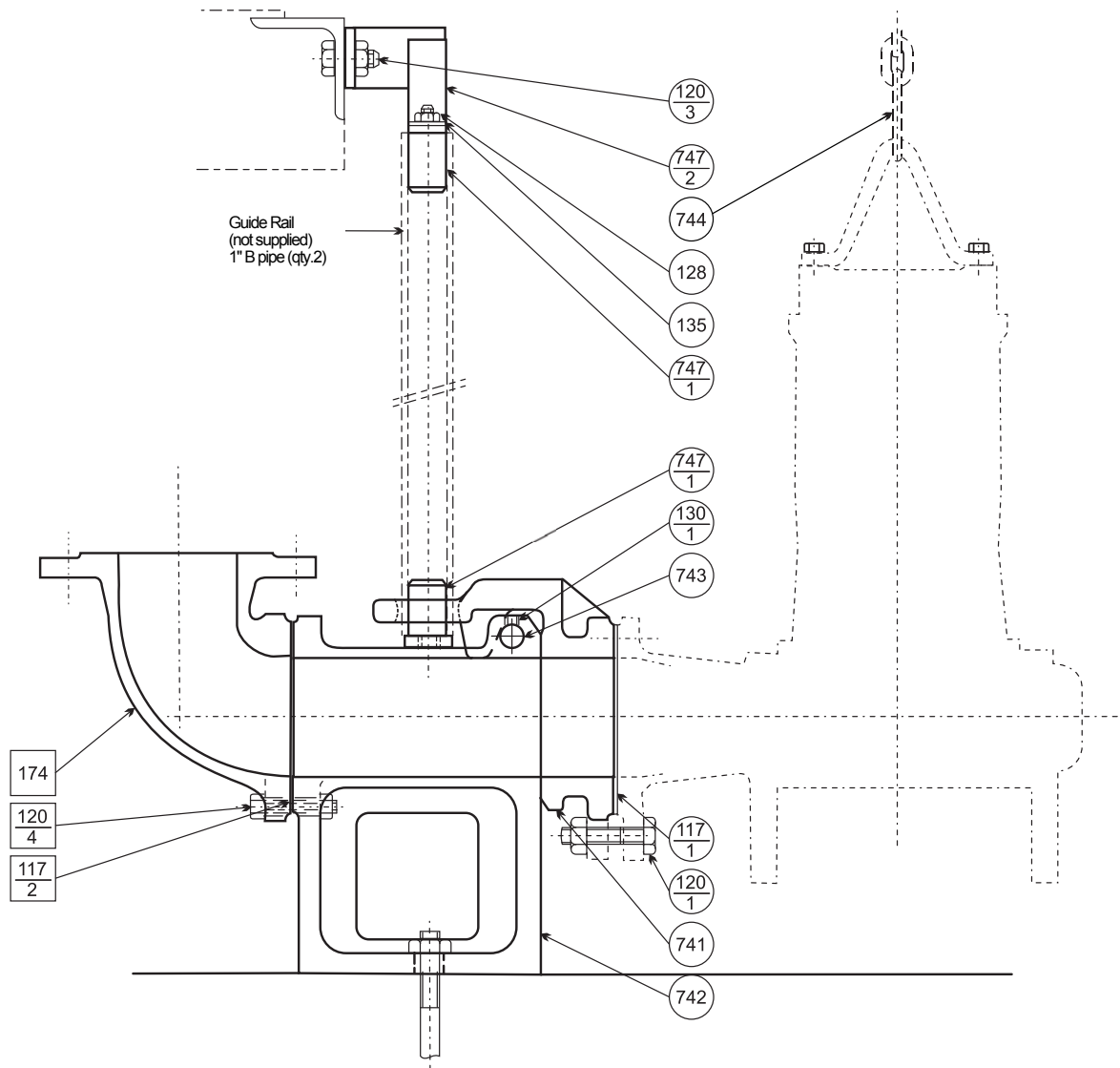
**QDC LS50 (Optional)**



| N°    | PART.NAME        | MATERIAL                        | Q.TY | N°  | PART.NAME      | MATERIAL                           | Q.TY |
|-------|------------------|---------------------------------|------|-----|----------------|------------------------------------|------|
| 117-1 | Gasket           | NBR Rubber                      | 1    | 741 | Sliding Guide  | Cast iron<br>EN-GHJL-200 - EN 1561 | 1    |
| 117-2 | Gasket           | NBR Rubber                      | 1    | 742 | QDC Body       | Cast iron<br>EN-GHJL-200 - EN 1561 | 1    |
| 120-1 | Bolt&Nut         | AISI 304 Stainless Steel        | 2    | 743 | Suspension Bar | AISI 304 Stainless Steel           | 1    |
| 120-2 | Bolt             | AISI 304 Stainless Steel        | 2    | 744 | Rope           | -                                  | 1    |
| 120-3 | Bolt             | AISI 304 Stainless Steel        | 2    | 747 | Guide Support  | Steel                              | 1    |
| 219   | Companion Flange | Cast iron EN-GHJL-200 - EN 1561 | 1    |     |                |                                    |      |

Note: Those parts with item number indicated in a  are supplied with the pump.

QDC LM50, LM65, LM80 (Optional)

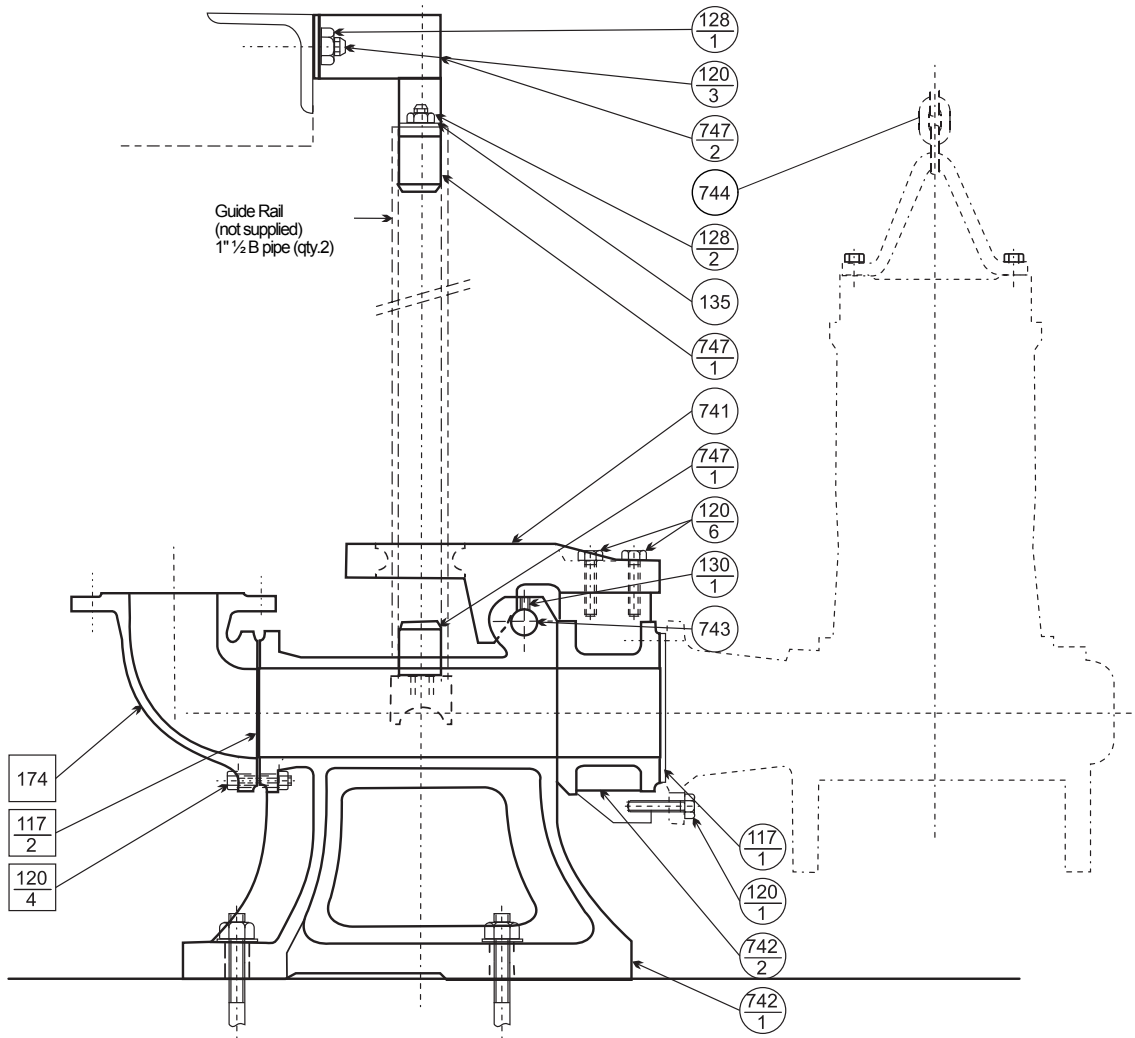


| N°    | PART.NAME  | MATERIAL                 | Q.TY | N°    | PART.NAME      | MATERIAL                           | Q.TY |
|-------|------------|--------------------------|------|-------|----------------|------------------------------------|------|
| 117-1 | Gasket     | NBR Rubber               | 1    | 135   | Washer         | AISI 304 Stainless Steel           | 2    |
| 117-2 | Gasket     | NBR Rubber               | 1    | 174   | Discharge Bend | Cast iron<br>EN-GHJL-200 - EN 1561 | 1    |
| 117-3 | Gasket     | NBR Rubber               | 1    | 741   | Sliding Guide  | Cast iron<br>EN-GHJL-200 - EN 1563 | 1    |
| 120-1 | Bolt & Nut | AISI 304 Stainless Steel | 4    | 742   | QDC Body       | Cast iron<br>EN-GHJL-200 - EN 1564 | 1    |
| 120-3 | Bolt & Nut | AISI 304 Stainless Steel | 2    | 743   | Suspension Bar | AISI 304 Stainless Steel           | 1    |
| 120-4 | Bolt & Nut | AISI 304 Stainless Steel | 4    | 744   | Chain          | Steel                              | 1    |
| 120-5 | Bolt & Nut | AISI 304 Stainless Steel | 4or8 | 747-1 | Guide Pin      | Steel                              | 4    |
| 128   | Nut        | AISI 304 Stainless Steel | 2    | 747-2 | Guide Support  | Steel                              | 1    |
| 130-1 | Set Screw  | AISI 304 Stainless Steel | 1    |       |                |                                    |      |

Note: Those parts with item number indicated in a □ are supplied with the pump.



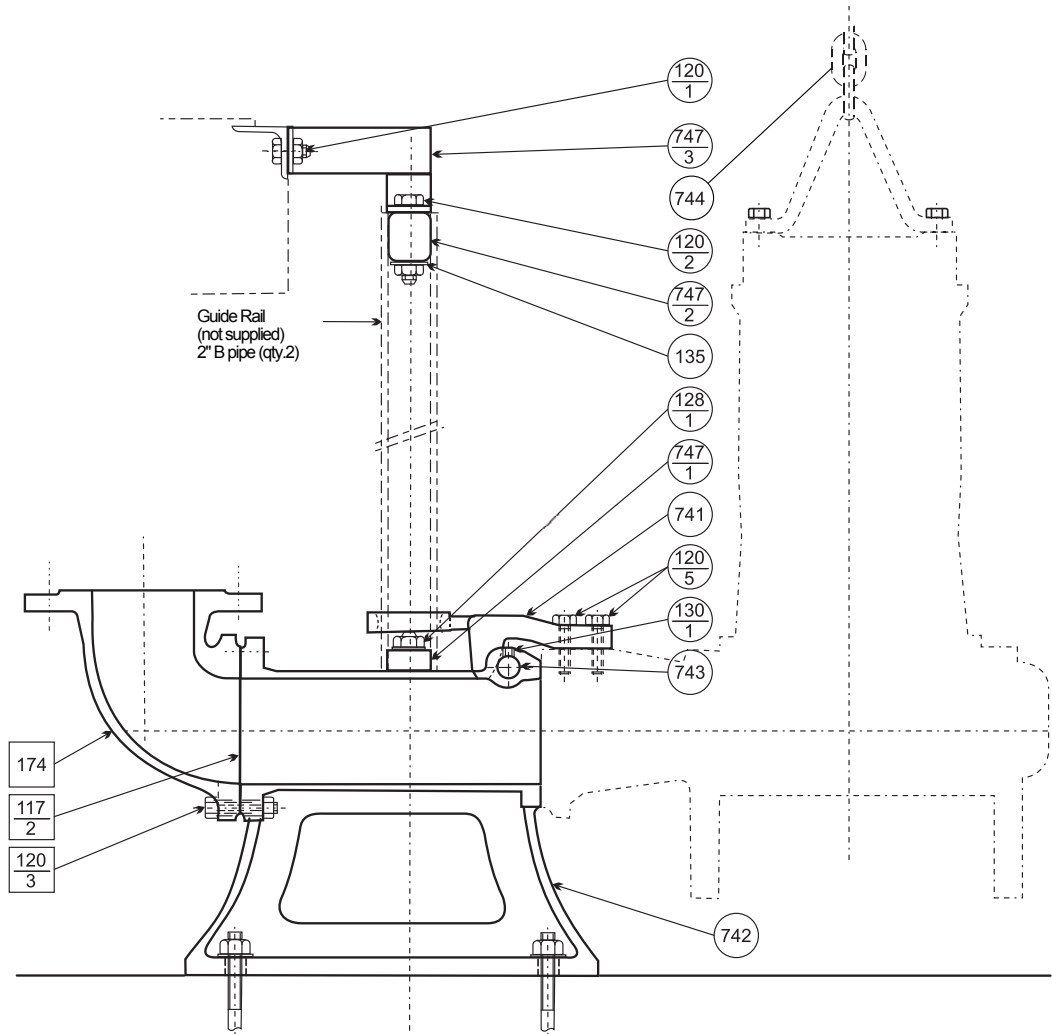
QDC LL80, LL100 (Optional)



| N°    | PART.NAME  | MATERIAL                 | Q.TY | N°    | PART.NAME      | MATERIAL                                              | Q.TY |
|-------|------------|--------------------------|------|-------|----------------|-------------------------------------------------------|------|
| 117-1 | Gasket     | NBR Rubber               | 1    | 130-1 | Set Screw      | AISI 304 Stainless Steel                              | 1    |
| 117-2 | Gasket     | NBR Rubber               | 1    | 135   | Washer         | AISI 304 Stainless Steel                              | 2    |
| 117-3 | Gasket     | NBR Rubber               | 1    | 174   | Discharge Bend | Cast iron<br>EN-GHJL-200 - EN 1561                    | 1    |
| 120-1 | Bolt       | AISI 304 Stainless Steel | 4    | 741   | Sliding Guide  | Spheroidal graphite cast iron<br>EN-GJS-400 - EN 1563 | 1    |
| 120-3 | Bolt       | AISI 304 Stainless Steel | 2    | 742-1 | QDC Body       | Cast iron<br>EN-GHJL-200 - EN 1564                    | 1    |
| 120-4 | Bolt & Nut | AISI 304 Stainless Steel | 4    | 742-2 | QDC Flange     | Cast iron<br>EN-GHJL-200 - EN 1564                    | 1    |
| 120-5 | Bolt & Nut | AISI 304 Stainless Steel | 4or8 | 743   | Suspension Bar | AISI 304 Stainless Steel                              | 1    |
| 120-6 | Bolt       | AISI 304 Stainless Steel | 4    | 744   | Chain          | Steel                                                 | 1    |
| 128-1 | Nut        | AISI 304 Stainless Steel | 2    | 747-1 | Guide Pin      | Steel                                                 | 4    |
| 128-2 | Nut        | AISI 304 Stainless Steel | 2    | 747-2 | Guide Support  | Steel                                                 | 1    |

Note: Those parts with item number indicated in a  are supplied with the pump.

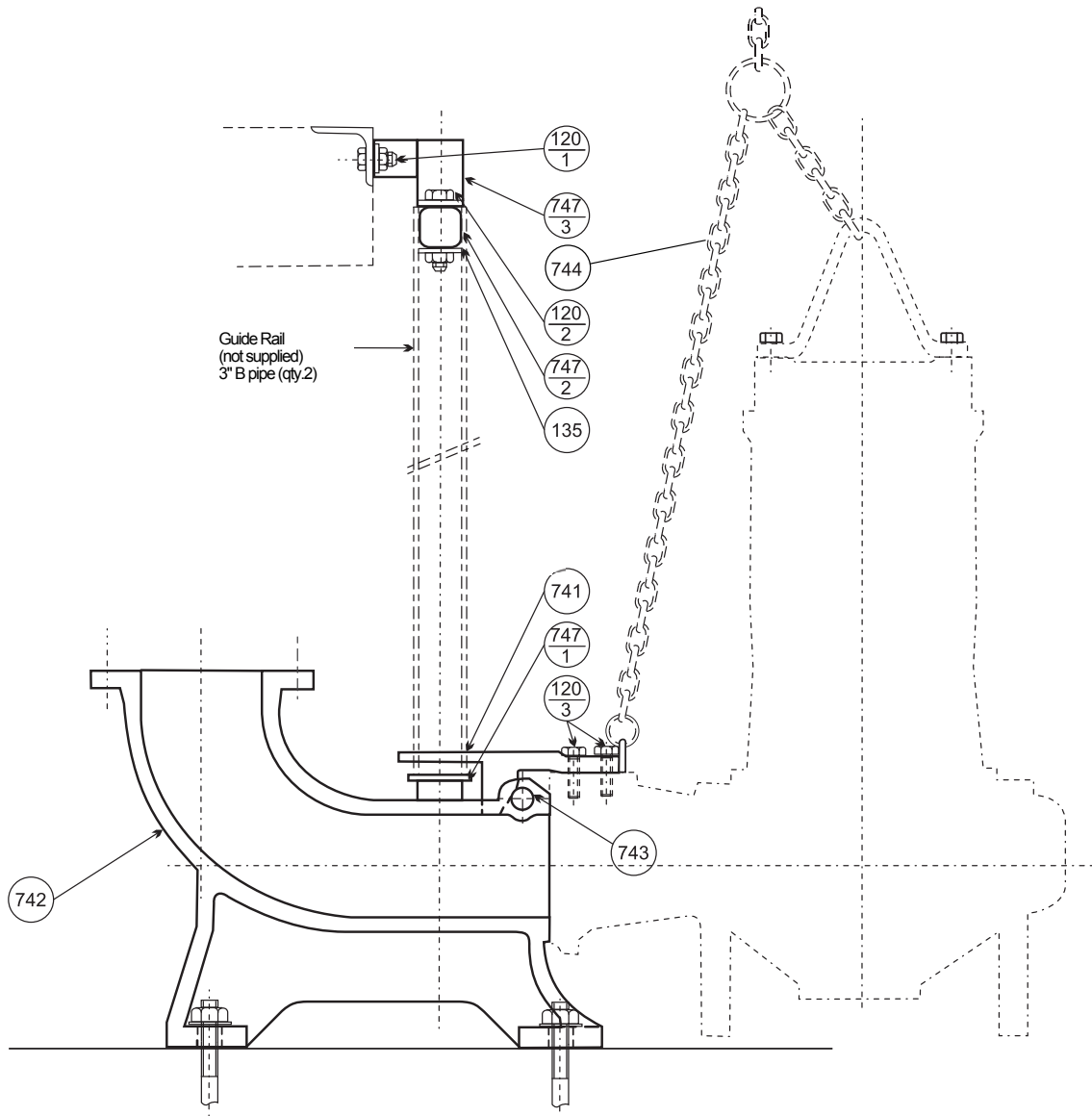
QDC LL125, LL150 (Optional)



| N°    | PART.NAME  | MATERIAL                 | Q.TY | N°    | PART.NAME      | MATERIAL                                           | Q.TY |
|-------|------------|--------------------------|------|-------|----------------|----------------------------------------------------|------|
| 117-2 | Gasket     | NBR Rubber               | 1    | 135   | Washer         | AISI 304 Stainless Steel                           | 2    |
| 117-3 | Gasket     | NBR Rubber               | 1    | 174   | Discharge Bend | Cast iron EN-GHJL-200 - EN 1561                    | 1    |
| 120-1 | Bolt & Nut | AISI 304 Stainless Steel | 2    | 741   | Sliding Guide  | Spheroidal graphite cast iron EN-GJS-400 - EN 1563 | 1    |
| 120-2 | Bolt & Nut | AISI 304 Stainless Steel | 2    | 742   | QCD Body       | Cast iron EN-GHJL-200 - EN 1561                    | 1    |
| 120-3 | Bolt & Nut | AISI 304 Stainless Steel | 4    | 743   | Suspension Bar | AISI 304 Stainless Steel                           | 1    |
| 120-4 | Bolt & Nut | AISI 304 Stainless Steel | 8    | 744   | Chain          | Steel                                              | 1    |
| 120-5 | Bolt       | AISI 304 Stainless Steel | 4    | 747-1 | Guide Pin      | Steel                                              | 2    |
| 128-1 | Nut        | AISI 304 Stainless Steel | 2    | 747-2 | Guide Pin      | NR Rubber                                          | 2    |
| 130-1 | Set Screw  | AISI 304 Stainless Steel | 1    | 747-3 | Guide Support  | Steel                                              | 1    |

Note: Those parts with item number indicated in a □ are supplied with the pump.

QDC LL250, 300 (Optional)



| N°    | PART.NAME     | MATERIAL                                              | Q.TY     | N°    | PART.NAME      | MATERIAL                           | Q.TY |
|-------|---------------|-------------------------------------------------------|----------|-------|----------------|------------------------------------|------|
| 117-3 | Gasket        | NBR Rubber                                            | 1        | 742   | QCD Body       | Cast iron<br>EN-GHJL-200 - EN 1561 | 1    |
| 120-1 | Bolt & Nut    | AISI 304 Stainless Steel                              | 2        | 743   | Suspension Bar | AISI 304 Stainless Steel           | 1    |
| 120-2 | Bolt & Nut    | Steel                                                 | 2        | 744   | Chain          | Steel                              | 1    |
| 120-3 | Bolt          | AISI 304 Stainless Steel                              | 4        | 747-1 | Pipe Support   | AISI 304 Stainless Steel           | 1    |
| 120-4 | Bolt & Nut    | AISI 304 Stainless Steel                              | 12 or 16 | 747-2 | Guide Pin      | NR Rubber                          | 2    |
| 135   | Washer        | Steel                                                 | 2        | 747-3 | Guide Support  | Steel                              | 1    |
| 741   | Sliding Guide | Spheroidal graphite cast iron<br>EN-GJS-400 - EN 1563 | 1        |       |                |                                    |      |

Note: Those parts with item number indicated in a  are supplied with the pump.

**MECHANICAL SEALS: TYPE A(20÷45), EAN(30÷45)**

| Type A (-20, -25, -30, -35) |               |                 |
|-----------------------------|---------------|-----------------|
| No.                         | Part Name     | Material        |
| 1                           | Packing       | NBR Rubber      |
| 2                           | Floating Ring | Ceramic         |
| 3                           | Seal Ring     | Carbon Graphite |
| 4                           | Spring        | Aisi 304        |
| 5                           | Seal Ring     | Silicon Carbide |
| 6                           | Floating Ring | Silicon Carbide |
| 7                           | Packing       | NBR Rubber      |

| Type A (-40, -45) |               |                 |
|-------------------|---------------|-----------------|
| No.               | Part Name     | Material        |
| 1                 | Packing       | NBR Rubber      |
| 2                 | Seal Ring     | Carbon Graphite |
| 3                 | Floating Ring | Ceramic         |
| 4                 | Snap Ring     | Spring Steel    |
| 5                 | Snap Ring     | Spring Steel    |
| 6                 | Floating Ring | Silicon Carbide |
| 7                 | Seal Ring     | Silicon Carbide |
| 8                 | Spring        | Aisi 304        |

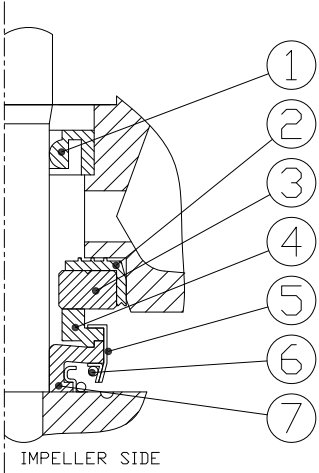
| Type EAN (-30, -40, -45) |               |                 |
|--------------------------|---------------|-----------------|
| No.                      | Part Name     | Material        |
| 1                        | Packing       | NBR Rubber      |
| 2                        | Floating Ring | Ceramic         |
| 3                        | Seal Ring     | Carbon Graphite |
| 4                        | Spring        | Aisi 304        |
| 5                        | Seal Ring     | Silicon Carbide |
| 6                        | Floating Ring | Silicon Carbide |
| 7                        | Packing       | NBR Rubber      |

**MECHANICAL SEALS: TYPE EAN-60**

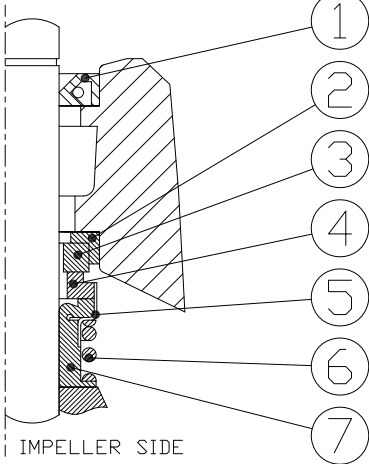
| Type A-60 |                 |                 |
|-----------|-----------------|-----------------|
| No.       | Part Name       | Material        |
| 1         | Parallel Pin    | AISI 316        |
| 2         | O - Ring        | NBR Rubber      |
| 3         | Mating Ring     | Silicon Carbide |
| 4         | Seal Ring       | Silicon Carbide |
| 5         | Bellows         | NBR Rubber      |
| 6         | Case            | AISI 304        |
| 7         | Case            | AISI 304        |
| 8         | Drive Ring      | AISI 304        |
| 9         | Spring          | AISI 304        |
| 10        | Spring Retainer | AISI 304        |
| 11        | Packing         | NBR Rubber      |
| 12        | Mating Ring     | Ceramics        |
| 13        | Seal Rings      | Carbon          |
| 14        | Bellows         | NBR Rubber      |
| 15        | Case            | AISI 304        |
| 16        | Case            | AISI 304        |
| 17        | Drive Ring      | AISI 304        |
| 18        | Spring          | AISI 304        |
| 19        | Spring Retainer | AISI 304        |

**MECHANICAL SEALS**

| <b>IEC63</b> |             |                |
|--------------|-------------|----------------|
| No.          | Part Name   | Material       |
| 1            | Lip seal    | NBR            |
| 2            | Paking      | NBR            |
| 3            | Mating Ring | Alumina        |
| 4            | Seal Ring   | Carbon PAC M3X |
| 5            | Case        | AISI 304       |
| 6            | Spring      | AISI 304       |
| 7            | Bellows     | NBR            |
|              |             |                |
|              |             |                |
|              |             |                |
|              |             |                |



| <b>IEC72 –IEC71</b> |             |                 |
|---------------------|-------------|-----------------|
| No.                 | Part Name   | Material        |
| 1                   | Lip seal    | NBR             |
| 2                   | Paking      | NBR             |
| 3                   | Mating Ring | Silicon Carbide |
| 4                   | Seal Ring   | Silicon Carbide |
| 5                   | Case        | AISI 316        |
| 6                   | Spring      | AISI 316        |
| 7                   | Bellows     | NBR             |
|                     |             |                 |
|                     |             |                 |
|                     |             |                 |
|                     |             |                 |



| IEC90 – IEC100 |             |                          |
|----------------|-------------|--------------------------|
| No.            | Part Name   | Material                 |
| 1              | Packing     | NBR                      |
| 2              | Mating ring | Alumina                  |
| 3              | Seal ring   | Resin-impregnated Carbon |
| 4              | Case        | AISI 304                 |
| 5              | Bellows     | NBR                      |
| 6              | Spring      | AISI 304                 |
| 7              | Packing     | NBR                      |
| 8              | Mating ring | Silicon carbide          |
| 9              | Seal ring   | Silicon carbide          |
| 10             | Case        | AISI 316                 |
| 11             | Spring      | AISI 316                 |
| 12             | Bellows     | NBR                      |

| IEC112 – IEC132 |             |                          |
|-----------------|-------------|--------------------------|
| No.             | Part Name   | Material                 |
| 1               | Packing     | NBR                      |
| 2               | Mating ring | Alumina                  |
| 3               | Seal ring   | Resin-impregnated Carbon |
| 4               | Case        | AISI 304                 |
| 5               | Bellows     | NBR                      |
| 6               | Spring      | AISI 304                 |
| 7               | Packing     | NBR                      |
| 8               | Mating ring | Silicon carbide          |
| 9               | Seal ring   | Silicon carbide          |
| 10              | Case        | AISI 316                 |
| 11              | Spring      | AISI 316                 |
| 12              | Bellows     | NBR                      |

**IEC60-180-200 – IEC250**

| No. | Part Name   | Material        |  |
|-----|-------------|-----------------|--|
| 1   | Packing     | NBR             |  |
| 2   | Mating ring | Ceramic 96%     |  |
| 3   | Seal ring   | Carbon          |  |
| 4   | Case        | AISI 316        |  |
| 5   | Spring      | AISI 316        |  |
| 6   | Bellows     | NBR             |  |
| 7   | Packing     | NBR             |  |
| 8   | Mating ring | Silicon carbide |  |
| 9   | Seal ring   | Silicon carbide |  |
| 10  | Case        | AISI 316        |  |
| 11  | Spring      | AISI 316        |  |
| 12  | Bellows     | NBR             |  |



**MECHANICAL SEALS TABLE**

| <b>DS</b> |           |             |                      |               |          |        |
|-----------|-----------|-------------|----------------------|---------------|----------|--------|
| Size      | Model     | Output [kW] | Mechanical Seal Type | Oil Q.ty [cc] | Bearings |        |
|           |           |             |                      |               | Bottom   | Top    |
| 50        | 50DS51.5  | 1,5         | A-20                 | 650           | 6205ZZ   | 6203ZZ |
|           | 50DS52.2  | 2,2         | A-30                 | 1180          | 6307ZZ   | 6304ZZ |
|           | 50DS53.7  | 3,7         |                      |               | 6308ZZ   |        |
| 65        | 65DS51.5  | 1,5         | A-20                 | 650           | 6205ZZ   | 6203ZZ |
| 80        | 80DS52.2  | 2,2         | A-30                 | 1180          | 6307ZZ   | 6304ZZ |
|           | 80DS53.7  | 3,7         |                      |               | 6308ZZ   |        |
|           | 100       | 100DS55.5   |                      |               |          |        |
|           | 100DS57.5 | 7,5         |                      |               |          |        |

| <b>DVS</b> |           |             |                      |               |          |        |
|------------|-----------|-------------|----------------------|---------------|----------|--------|
| Size       | Model     | Output [kW] | Mechanical Seal Type | Oil Q.ty [cc] | Bearings |        |
|            |           |             |                      |               | Bottom   | Top    |
| 50         | 50DVS15.5 | 1,5         | A-20                 | 650           | 6205ZZ   | 6203ZZ |
| 65         | 65DVS51.5 | 1,5         |                      |               |          |        |
|            | 65DVS52.2 | 2,2         | A-30                 | 1380          | 6307ZZ   | 6304ZZ |
|            | 65DVS53.7 | 3,7         |                      |               | 6308ZZ   |        |
| 80         | 80DVS51.5 | 1,5         | A-20                 | 650           | 6205ZZ   | 6203ZZ |
|            | 80DVS52.2 | 2,2         | A-30                 | 1380          | 6307ZZ   | 6304ZZ |
|            | 80DVS53.7 | 3,7         |                      |               | 6308ZZ   |        |

| <b>DML</b> |               |             |                      |               |          |        |
|------------|---------------|-------------|----------------------|---------------|----------|--------|
| Size       | Model         | Output [kW] | Mechanical Seal Type | Oil Q.ty [cc] | Bearings |        |
|            |               |             |                      |               | Bottom   | Top    |
| 80         | 80DML(V)52.2  | 2.2         | EAN-30               | 1000          | 5307ZZ   | 6205ZZ |
|            | 80DML(V)53.7  | 3.7         |                      |               |          |        |
| 100        | 100DML53.7    | 3.7         | EAN-40               | 1570          | 5309ZZ   | 6306ZZ |
|            | 100DML(V)55.5 | 5.5         |                      |               |          |        |
|            | 100DML(V)57.5 | 7.5         |                      |               |          |        |
|            | 100DML(V)511  | 11          | EAN-45               | 2900          | 5310ZZ   | 6308ZZ |
|            | 100DML(V)515  | 15          |                      |               |          |        |
|            | 100DML(V)522  | 22          |                      |               |          |        |
| 150        | 150DML55.5    | 5.5         | EAN-40               | 1570          | 5309ZZ   | 6306ZZ |
|            | 150DML57.5    | 7.5         |                      |               |          |        |
|            | 150DML511     | 11          | EAN-45               | 2900          | 5310ZZ   | 6308ZZ |
|            | 150DML515     | 15          |                      |               |          |        |
|            | 150DML522     | 22          |                      |               |          |        |
|            |               |             |                      |               |          |        |

| <b>DMLV</b> |             |             |                      |               |          |        |
|-------------|-------------|-------------|----------------------|---------------|----------|--------|
| Size        | Model       | Output [kW] | Mechanical Seal Type | Oil Q.ty [cc] | Bearings |        |
|             |             |             |                      |               | Bottom   | Top    |
| 80          | 80DMLV52.2  | 2.2         | EAN-30               | 1100          | 5307ZZ   | 6205ZZ |
|             | 80DMLV53.7  | 3.7         |                      |               |          |        |
| 100         | 100DMLV55.5 | 5.5         | EAN-40               | 1780          | 5309ZZ   | 6306ZZ |
|             | 100DMLV57.5 | 7.5         |                      |               |          |        |
|             | 100DMLV511  | 11          | EAN-45               | 3380          | 5310ZZ   | 6308ZZ |
|             | 100DMLV515  | 15          |                      |               |          |        |
|             | 100DMLV522  | 22          |                      |               |          |        |

| <b>DL, DL W/C</b> |                 |             |                      |               |          |        |
|-------------------|-----------------|-------------|----------------------|---------------|----------|--------|
| Size              | Model           | Output [kW] | Mechanical Seal Type | Oil Q.ty [cc] | Bearings |        |
|                   |                 |             |                      |               | Bottom   | Top    |
| 65                | 65DL51.5(W/C)   | 1.5         | A-25                 | 920           | 6306ZZ   | 6204ZZ |
| 80                | 80DL51.5(W/C)   | 1.5         |                      |               |          |        |
|                   | 80DL52.2(W/C)   | 2.2         | A-30                 | 1380          | 6307ZZ   | 6205ZZ |
|                   | 80DL53.7(W/C)   | 3.7         |                      |               | 6308ZZ   | 6205ZZ |
|                   | 80DLC55.5       | 5.5         | A-40                 | 2500          | 6309ZZ   | 6306ZZ |
|                   | 80DLC57.5       | 7.5         |                      |               |          |        |
| 100               | 100DL53.7(W/C)  | 3.7         | A-30                 | 1380          | 6308ZZ   | 6205ZZ |
|                   | 100DLB55.5(W/C) | 5.5         |                      |               |          |        |
|                   | 100DLC55.5      | 5.5         | A-40                 | 2500          | 6309ZZ   | 6306ZZ |
|                   | 100DLB57.5(W/C) | 7.5         |                      |               |          |        |
|                   | 100DLC57.5      | 7.5         |                      |               |          |        |
|                   | 100DL511        | 11          | A-45                 | 6200          | 6315ZZ   | 6309ZZ |
|                   | 100DL515        | 15          |                      |               |          |        |
|                   | 100DL518.5      | 18.5        |                      |               |          |        |
| 150               | 150DL55.5       | 5.5         | A-40                 | 2500          | 6309ZZ   | 6306ZZ |
|                   | 150DL57.5       | 7.5         |                      |               |          |        |
|                   | 150DL511        | 11          | A-45                 | 6200          | 6315ZZ   | 6308ZZ |
|                   | 150DL515        | 15          |                      |               |          |        |
|                   | 150DL518.5      | 18.5        |                      |               |          |        |
|                   | 150DL522        | 22          | A-60                 | 8900          | 6315ZZDR | 6310ZZ |
|                   | 150DL530        | 30          |                      |               |          |        |
|                   | 150DL537        | 37          |                      |               |          |        |
|                   | 150DL545        | 45          |                      |               |          |        |
|                   | 200             | 200DL55.5   | 5.5                  | A-40          | 2500     | 6309ZZ |
| 200DL57.5         |                 | 7.5         |                      |               |          |        |
| 200DL511          |                 | 11          | A-45                 | 6200          | 6315ZZ   | 6309ZZ |
| 200DL515          |                 | 15          |                      |               |          |        |
| 200DL518.5        |                 | 18.5        |                      |               |          |        |
| 200DL522          |                 | 22          | A-60                 | 8900          | 6315ZZDR | 6310ZZ |
| 200DL530          |                 | 30          |                      |               |          |        |
| 200DL537          |                 | 37          |                      |               |          |        |
| 200DL545          |                 | 45          |                      |               |          |        |
| 250               |                 | 250DL57.5   | 7.5                  | A-40          | 2500     | 6309ZZ |
|                   | 250DL511        | 11          |                      |               |          |        |
|                   | 250DL515        | 15          | A-45                 | 6200          | 6315ZZ   | 6309ZZ |
|                   | 250DL518.5      | 18.5        |                      |               |          |        |
|                   | 250DL522        | 22          |                      |               |          |        |
|                   | 250DL530        | 30          | A-60                 | 9000          | 6315ZZDR | 6310ZZ |
|                   | 250DL537        | 37          |                      |               |          |        |
|                   | 250DL545        | 45          |                      |               |          |        |
| 300               | 300DL511        | 11          | A-40                 | 3500          | 6313ZZ   | 6308ZZ |
|                   | 300DL515        | 15          |                      |               |          |        |
|                   | 300DL518.5      | 18.5        | A-45                 | 6200          | 6315ZZ   | 6309ZZ |
|                   | 300DL522        | 22          |                      |               |          |        |
|                   | 300DL530        | 30          |                      |               |          |        |
|                   | 300DL537        | 37          | A-60                 | 9000          | 6315ZZDR | 6310ZZ |
|                   | 300DL545        | 45          |                      |               |          |        |

| <b>DSF</b> |                  |                |                            |                   |                    |              |
|------------|------------------|----------------|----------------------------|-------------------|--------------------|--------------|
| Size       | Model            | Output<br>[kW] | Mechanical<br>Seal<br>Type | Oil Q. ty<br>[cc] | Bearings           |              |
|            |                  |                |                            |                   | Bottom             | Top          |
| 40         | 40DSF51,8M (150) | 1.8            | IEC 71                     | 260               | 6304 2RS2/C3       | 6303 2RS1/C3 |
|            | 40DSF51,1M (125) | 1.1            | IEC 71                     | 260               | 6304 2RS2/C3       | 6303 2RS1/C3 |
|            | 40DSF55,7 (192)  | 5.7            | IEC 100                    | 330               | 6306 2RS1/C3       | 6305 2RS1/C3 |
| 65         | 65DSF515,9 (230) | 15.9           | IEC 132                    | 1900              | 3308A-2RS1TN9/MT33 | 6308 2RS     |

| <b>DMLF</b> |                   |                |                            |                   |                        |              |
|-------------|-------------------|----------------|----------------------------|-------------------|------------------------|--------------|
| Size        | Model             | Output<br>[kW] | Mechanical<br>Seal<br>Type | Oil Q. ty<br>[cc] | Bearings               |              |
|             |                   |                |                            |                   | Bottom                 | Top          |
| 50          | 50DMLF51,1M (120) | 1.1            | IEC 72                     | 240               | 3304 A 2RS1-TN9C3-MT33 | 6303 2RS1/C3 |
| 65          | 65DMLF51,1M (135) | 1.1            | IEC 71                     | 260               | 6304 2RS1/C3           | 6303 2RS1/C3 |
|             | 65DMLF51,8M (125) | 1.8            | IEC 71                     | 260               | 3304 A 2RS1-TN9C3-MT33 | 6303 2RS1/C3 |

| <b>DMLVF</b> |                     |                    |                            |                   |                    |              |
|--------------|---------------------|--------------------|----------------------------|-------------------|--------------------|--------------|
| Size         | Model               | Output<br>[kW]     | Mechanical<br>Seal<br>Type | Oil Q. ty<br>[cc] | Bearings           |              |
|              |                     |                    |                            |                   | Bottom             | Top          |
| 32           | 32DMLVF50,5M (90)   | 0.5                | IEC 63                     | 160               | 6202 2Z C3         | 6200 2Z C3   |
| 50           | 50DMLVF51,1M (130)  | 1.1                | IEC 71                     | 260               | 6304 2RS1/C3       | 6303 2RS1/C3 |
|              | 50DMLVF51,8M (140)  | 1.8                | IEC 71                     | 260               | 6304 2RS1/C3       | 6303 2RS1/C3 |
|              | 50DMLVF51,8M (155)  | 1.8                | IEC 71                     | 260               | 6304 2RS1/C3       | 6303 2RS1/C3 |
|              | 65                  | 65DMLVF51,9M (109) | 1.9                        | IEC 71            | 260                | 6304 2RS1/C3 |
| 80           | 80DMLVF54,6 (206)   | 4.6                | IEC 100                    | 330               | 6306 2RS1/C3       | 6305 2RS1/C3 |
|              | 80DMLVF518,2 (188)  | 18.2               | IEC 132                    | 1900              | 3308A-2RS1TN9/MT33 | 6308 2RS     |
|              | 80DMLVF518,2 (225)  | 18.2               | IEC 132                    | 1900              | 3308A-2RS1TN9/MT33 | 6308 2RS     |
| 100          | 100DMLVF55,2 (260)  | 5.2                | IEC 112                    | 1900              | 3307A-2RS1TN9/MT33 | 6307 2RS1/C3 |
| 150          | 150DMLVF511 (360)   | 11                 | IEC 180                    | 2850              | 3311 2RS           | 6307 2RS1/C3 |
|              | 150DMLVF513,6 (400) | 13.6               | IEC 180                    | 2850              | 3311 2RS           | 6307 2RS1/C3 |
|              | 150DMLVF525 (340)   | 25                 | IEC 180                    | 2850              | 3311 2RS           | 6307 2RS1/C3 |
|              | 150DMLVF535,7 (360) | 35.7               | IEC 180                    | 2850              | 3311 2RS           | 6307 2RS1/C3 |

50DS

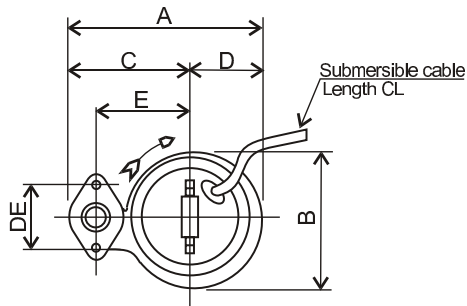


Figure 1

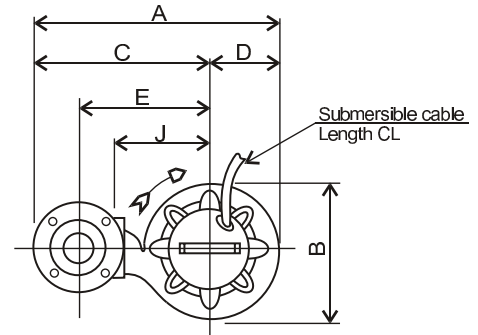
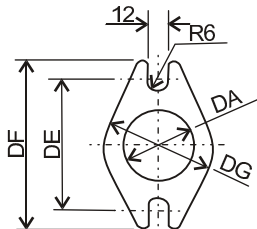
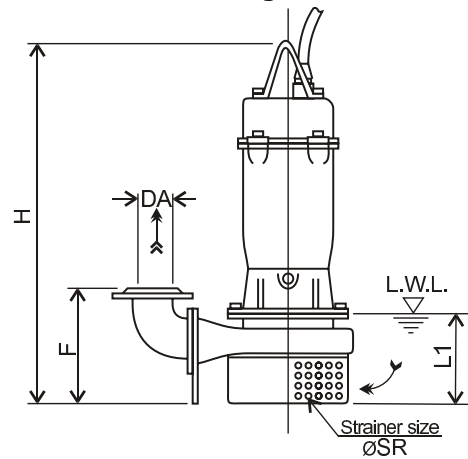
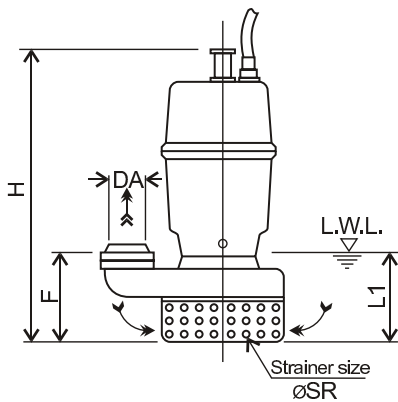
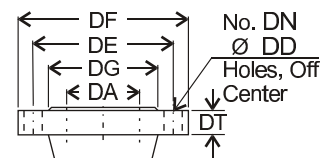


Figure 2



Oval Flange

| Discharge flange dimensions [mm] - EN 1092-2 |     |     |     |     |    |    |    |
|----------------------------------------------|-----|-----|-----|-----|----|----|----|
| Type                                         | DA  | DE  | DF  | DG  | DT | DN | DD |
| Oval                                         | 50  | 96  | 114 | 76  | -  | -  | -  |
|                                              |     | 125 | 165 | 99  |    |    |    |
| Round                                        | 65  | 145 | 185 | 118 | 17 | 4  | 19 |
|                                              | 80  | 160 | 200 | 132 | 19 | 8  |    |
|                                              | 100 | 180 | 220 | 156 | 21 |    |    |



Round Flange

| Dimensions [mm] |           |      |             |             |     |     |     |     |     |     |     |     |     |     |        |     |        |             |
|-----------------|-----------|------|-------------|-------------|-----|-----|-----|-----|-----|-----|-----|-----|-----|-----|--------|-----|--------|-------------|
| Size DA         | Model     | Fig. | Flange Type | Output [kW] | DA  | A   | B   | C   | D   | E   | F   | H   | DE  | J   | L1 (*) | ØSR | CL [m] | Weight [kg] |
| 50              | 50DS51.5  | 1    | Oval        | 1.5         | G2" | 266 | 200 | 168 | 98  | 130 | 115 | 450 | 96  | -   | 120    | 10  | 6      | 25          |
|                 | 2.2       |      |             | 50          | 433 | 245 | 313 | 120 | 235 | 198 | 619 | -   | 180 | 160 | 10     |     | 55     |             |
|                 | 3.7       |      |             |             |     |     |     |     |     |     |     |     |     |     |        |     | 61     |             |
| 65              | 65DS51.5  | 2    | Round       | 1.5         | 65  | 407 | 210 | 303 | 104 | 215 | 197 | 503 | -   | 150 | 120    | 10  | 6      | 35          |
| 80              | 80DS52.2  |      |             | 2.2         | 80  | 503 | 268 | 368 | 135 | 275 | 215 | 625 | -   | 200 | 160    |     | 59     |             |
|                 | 80DS53.7  |      |             | 3.7         |     |     |     |     |     |     |     |     |     |     |        |     | 64     |             |
| 100             | 100DS55.5 | 2    | Round       | 5.5         | 100 | 615 | 309 | 460 | 155 | 355 | 257 | 730 | -   | 250 | 200    | 13  | 92     |             |
|                 | 100DS57.5 |      |             | 7.5         |     |     |     |     |     |     |     |     |     |     |        |     | 104    |             |

- L.W.L (Low Water Level)
- (\*) - Operation is limited to 10 minutes at L.W.L.
- Operation is limited to 30 minutes with water level below top of motor

DS with QDC (1.5÷3.7 kW)

Figure 1

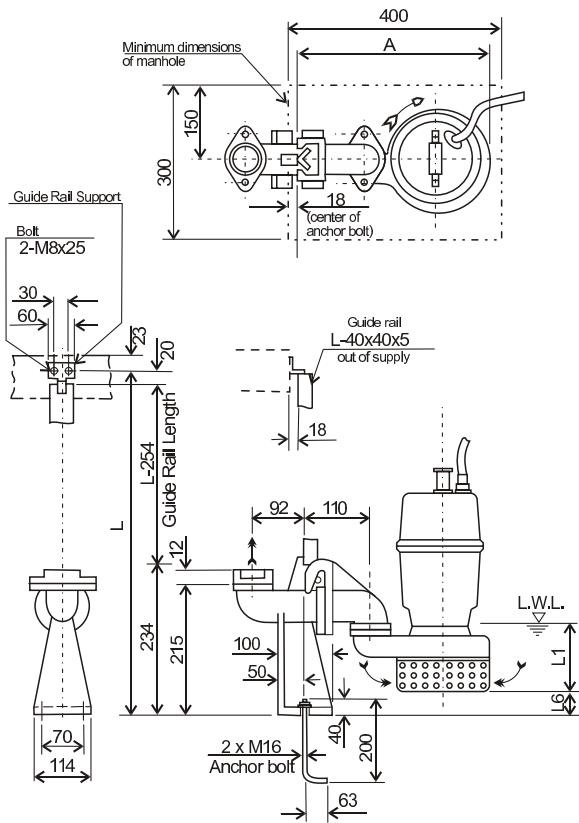
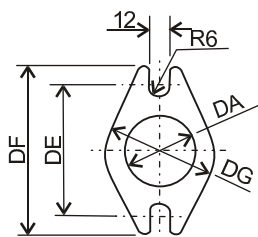
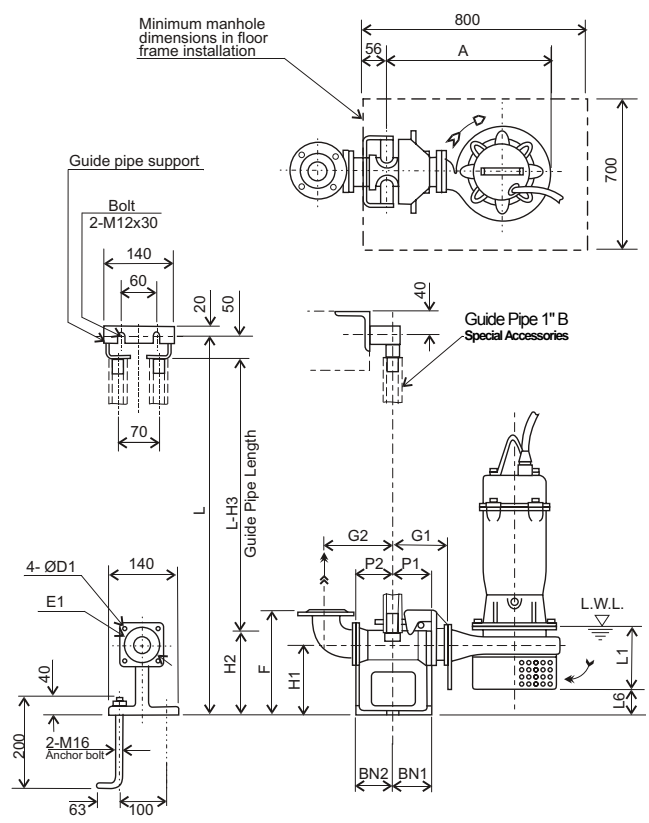
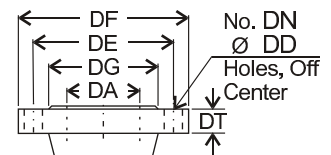


Figure 2



Oval Flange

| Discharge flange dimensions [mm] - EN 1092-2 |    |     |     |     |     |    |    |
|----------------------------------------------|----|-----|-----|-----|-----|----|----|
| Type                                         | DA | DE  | DF  | DG  | DT  | DN | DD |
| Oval                                         | 50 | 96  | 114 | 76  | -   | -  | -  |
|                                              |    | 125 | 165 | 99  | -   | -  | -  |
| Round                                        | 65 | 145 | 185 | 118 | 17  | 4  | 19 |
|                                              |    | 80  | 160 | 200 | 132 | 19 | 8  |

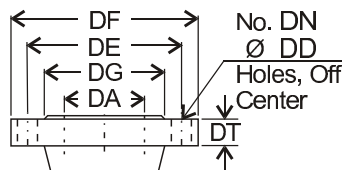
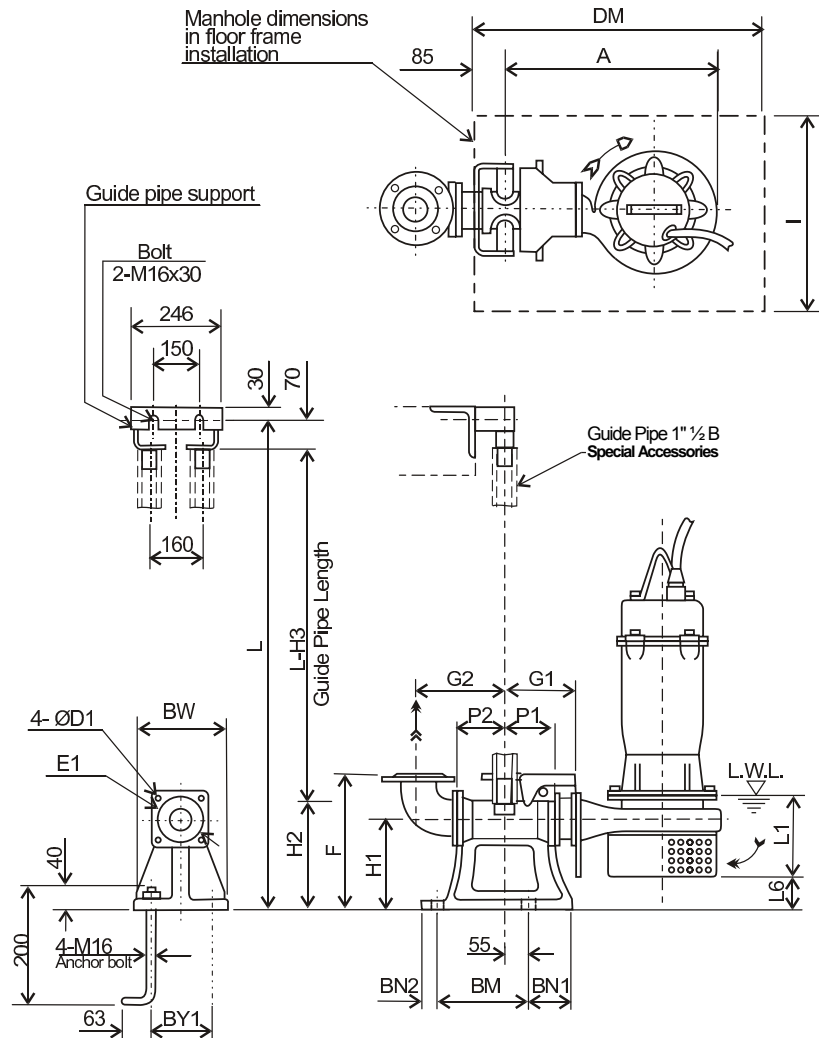


Round Flange

| Dimensions [mm] |          |      |             |             |     |     |    |    |     |     |     |     |     |     |        |    |     |     |    |    |           |             |    |
|-----------------|----------|------|-------------|-------------|-----|-----|----|----|-----|-----|-----|-----|-----|-----|--------|----|-----|-----|----|----|-----------|-------------|----|
| Size            | Model    | Fig. | Flange Type | Output [kW] | DA  | A   | P1 | P2 | G1  | G2  | F   | H1  | H2  | H3  | L1 (*) | L6 | BN1 | BN2 | D1 | E1 | QDC Model | Weight [kg] |    |
| 50              | 50DS51.5 | 1    | Oval        | 1.5         | G2" | -   | -  | -  | -   | -   | -   | -   | -   | -   | 120    | 25 | -   | -   | -  | -  | LS50      | 9           |    |
|                 | 50DS52.2 |      |             | 2.2         | 50  | 415 | 75 | 80 | 115 | 135 | 230 | 135 | 165 | 215 | 160    | 32 | -   | -   | 80 | 12 | 120       | LM50        | 11 |
|                 | 50DS53.7 |      |             | 3.7         | -   | -   | -  | -  | -   | -   | -   | -   | -   | -   | -      | -  | -   | -   | -  | -  | -         | -           | -  |
| 65              | 65DS51.5 | 2    | Round       | 1.5         | 65  | 374 | 75 | 95 | 120 | 160 | 250 | 145 | 190 | 240 | 120    | 53 | 75  | -   | 95 | 12 | 140       | LM65        | 14 |
| 80              | 80DS52.2 |      |             | 2.2         | 80  | 460 | 75 | 90 | 125 | 165 | 285 | 175 | 230 | 280 | 160    | 70 | -   | -   | 90 | 15 | 155       | LM80        | 17 |
|                 | 80DS53.7 |      |             | 3.7         | -   | -   | -  | -  | -   | -   | -   | -   | -   | -   | -      | -  | -   | -   | -  | -  | -         | -           | -  |

(\*) - L.W.L (Low Water Level)  
 - Operation is limited to 10 minutes at L.W.L.  
 - Operation is limited to 30 minutes with water level below top of motor

**DS (5.5÷7.5 kW) with QDC**

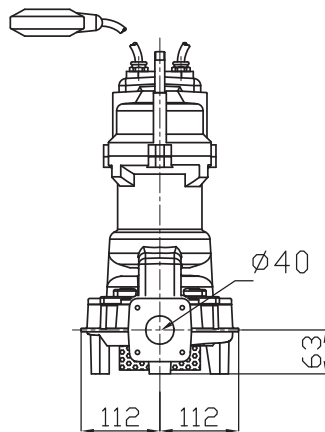
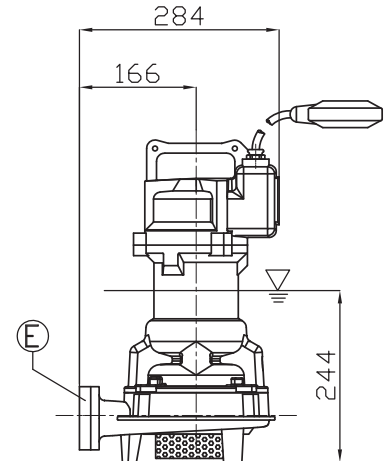
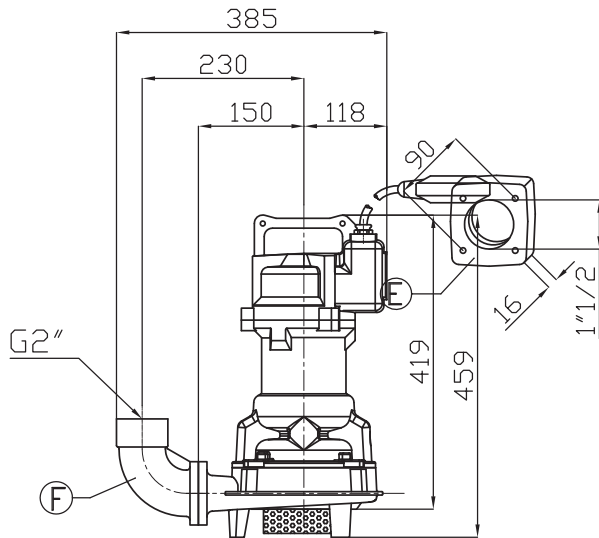


| Type  | DA  | DE  | DF  | DG  | DT | DN | DD |
|-------|-----|-----|-----|-----|----|----|----|
| Round | 100 | 180 | 220 | 156 | 21 | 8  | 19 |

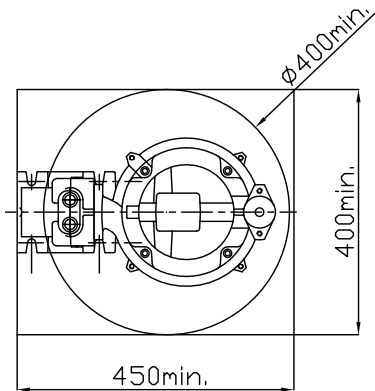
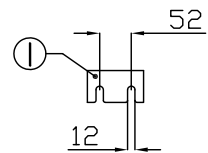
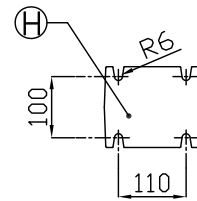
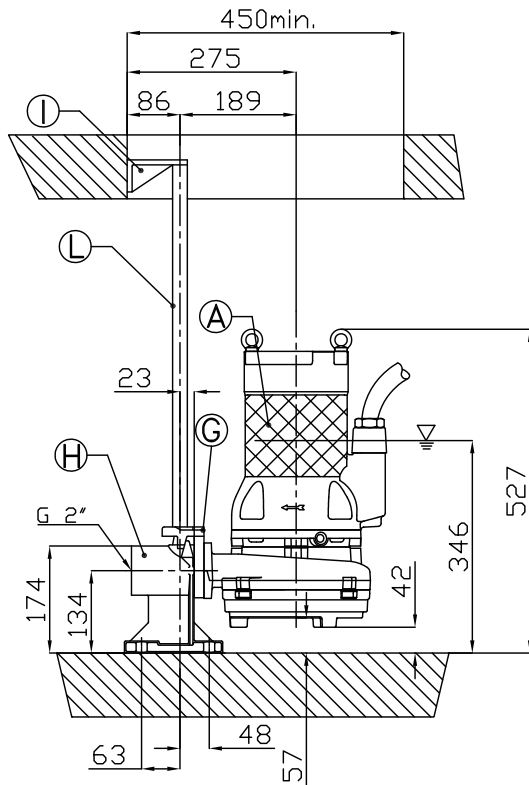
| Dimensions [mm] |           |             |     |     |     |     |     |     |     |     |     |        |     |     |     |     |     |     |     |     |    |     |           |                 |
|-----------------|-----------|-------------|-----|-----|-----|-----|-----|-----|-----|-----|-----|--------|-----|-----|-----|-----|-----|-----|-----|-----|----|-----|-----------|-----------------|
| Size            | Model     | Output [kW] | A   | P1  | P2  | G1  | G2  | F   | H1  | H2  | H3  | L1 (*) | L6  | BN1 | BN2 | BM  | BY1 | BW  | DM  | I   | D1 | E1  | QDC Model | QDC Weight [kg] |
| 100             | 100DS55.5 | 5.5         | 590 | 105 | 105 | 185 | 210 | 365 | 240 | 265 | 335 | 200    | 108 | 100 | 40  | 220 | 180 | 230 | 800 | 700 | 19 | 175 | LL100     | 46              |
|                 | 100DS57.5 | 7.5         |     |     |     |     |     |     |     |     |     |        |     |     |     |     |     |     |     |     |    |     |           |                 |

(\*) - L.W.L (Low Water Level)  
 - Operation is limited to 10 minutes at L.W.L.  
 - Operation is limited to 30 minutes with water level below top of motor

40DSF/40DSF with QDC (1.5÷1.9 kW)



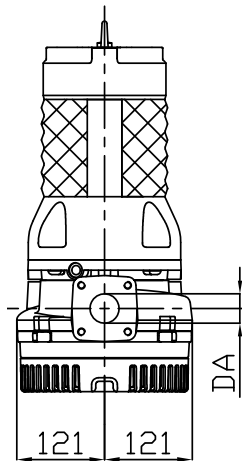
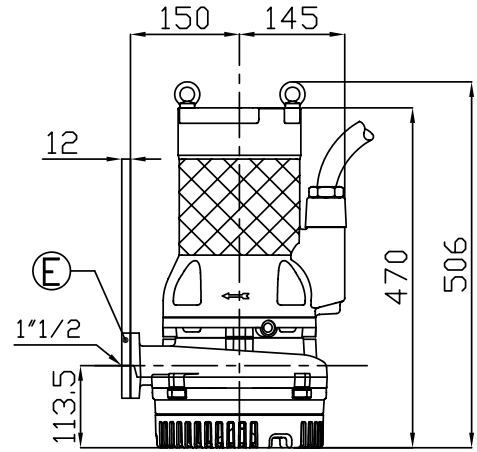
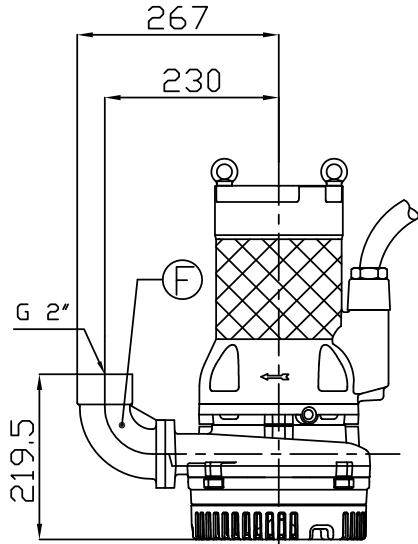
| Size<br>DA | Model         | Output<br>[kW] | Weight<br>[kgf] |
|------------|---------------|----------------|-----------------|
| 40         | 40DSF51.5M2CG | 1.5            | 38              |
|            | 40DSF51.9M2AG | 1.9            | 38              |



▽ LIVELLO MINIMO DI  
 ≡ SOMMERSIBILITA'  
 ▽ MINIMUM  
 ≡ SUBMERSIBLE LEVEL

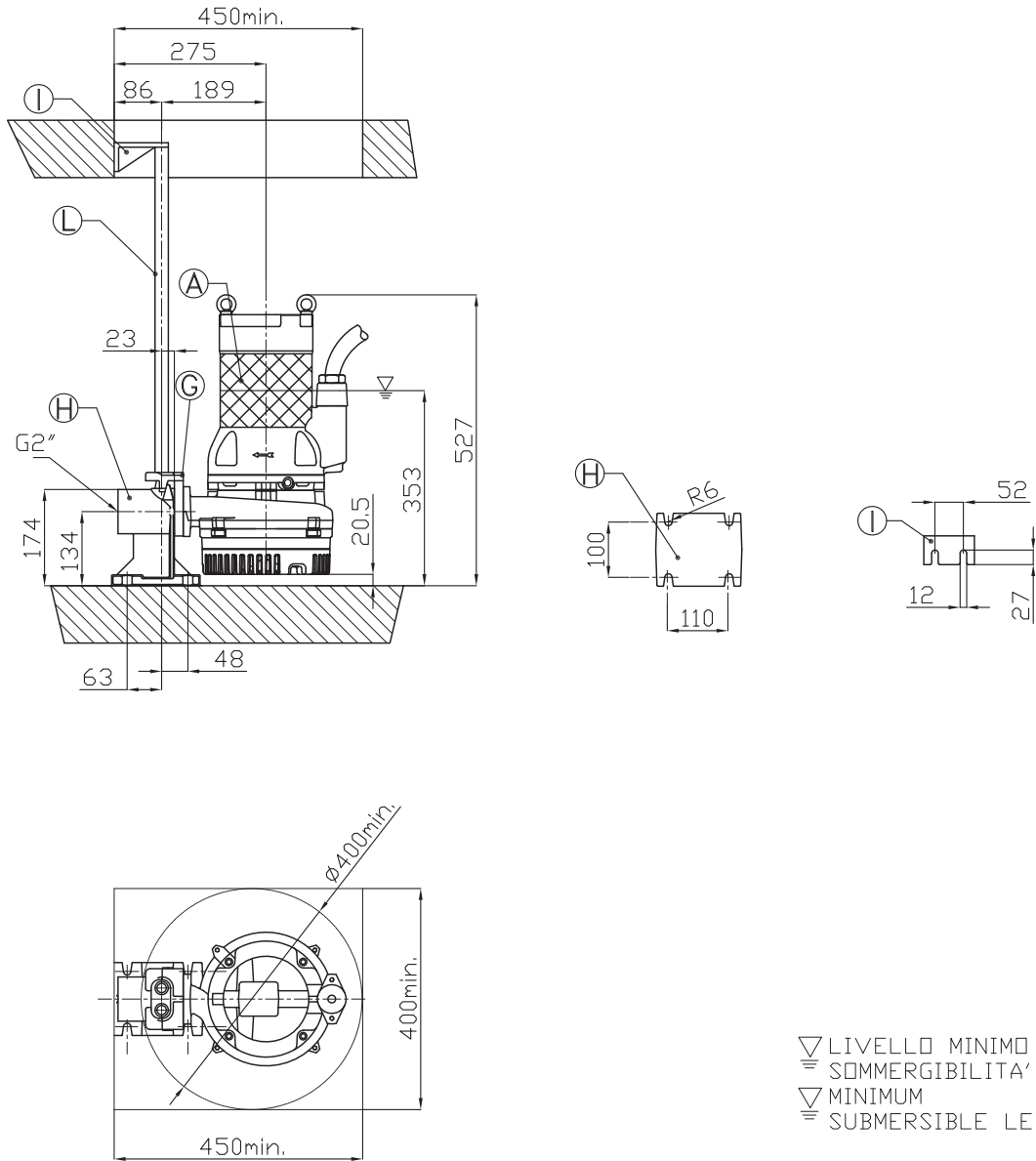
| POSITION | DESCRIPTION                          | MATERIAL         | WEIGHT [kgf] |
|----------|--------------------------------------|------------------|--------------|
| A        | SUBMERSIBLE PUMP                     | -                | -            |
| B        | RUBBER JOINT DN50                    | NEOPRENE         | -            |
| E        | THREADED FLANGE 1" 1/2               | G250 CAST-IRON   | 1            |
| F        | THREADED ELBOW 90° 2"                | G250 CAST-IRON   | 3            |
| G        | DOUBLE GUIDE RAIL COUPLING FEET DN50 | G250 CAST IRON   | 1.5          |
| H        | DOUBLE GUIDE CUOPLING FEET DN50      | G250 CAST-IRON   | 6            |
| I        | DOUBLE GUIDE RAIL UPPER SUPPORT 3/4  | G250 CAST-IRON   | 1.1          |
| L        | GUIDE RAIL 3/4"                      | GALVANIZED STEEL | -            |

40DSF/40DSF with QDC (6.0 kW)



| Size<br>DA | Model       | Output<br>[kW] | Weight<br>[kgf] |
|------------|-------------|----------------|-----------------|
| 40         | 40DSF56T2AG | 6              | 68              |





| POSITION | DESCRIPTION                            | MATERIAL         | WEIGHT [kgf] |
|----------|----------------------------------------|------------------|--------------|
| A        | SUBMERSIBLE PUMP                       | -                | -            |
| B        | RUBBER JOINT DN50                      | NEOPRENE         | -            |
| E        | THREADED FLANGE 1" 1/2                 | G250 CAST-IRON   | 1            |
| F        | THREADED ELBOW 90° 2"                  | G250 CAST-IRON   | 3            |
| G        | DOUBLE GUIDE RAIL COUPLING FLANGE DN50 | G250 CAST IRON   | 1.5          |
| H        | DOUBLE GUIDE CUOPLING FEET DN50        | G250 CAST-IRON   | 6            |
| I        | DOUBLE GUIDE RAIL UPPER SUPPORT 3/4    | G250 CAST-IRON   | 1.1          |
| L        | GUIDE RAIL 3/4"                        | GALVANIZED STEEL | -            |

DVS

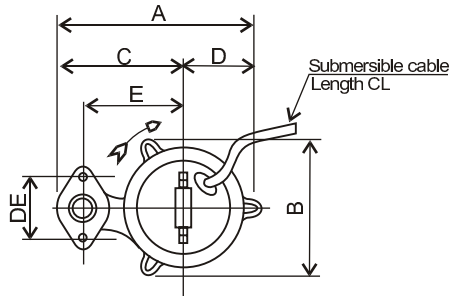


Figure 1

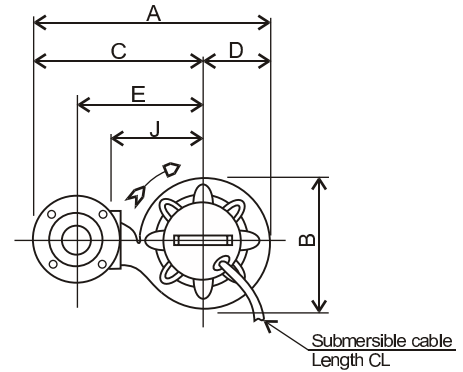
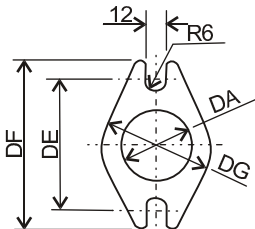
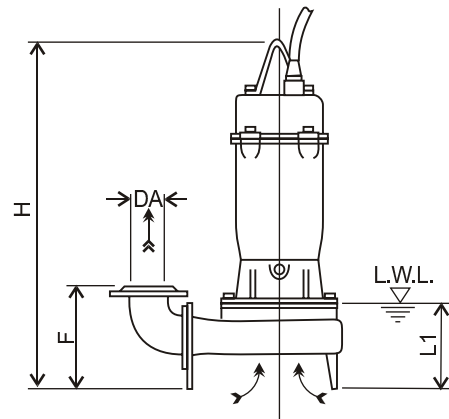
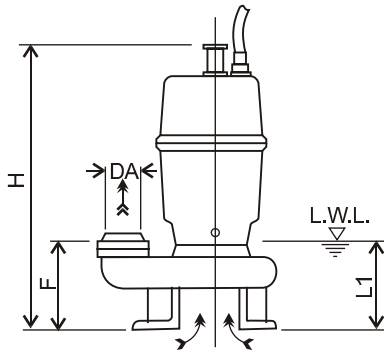
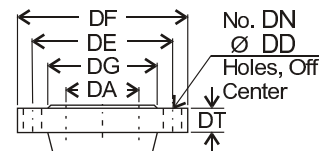


Figure 2



Oval Flange

| Discharge flange dimensions [mm] - EN 1092-2 |    |     |     |     |    |    |    |
|----------------------------------------------|----|-----|-----|-----|----|----|----|
| Type                                         | DA | DE  | DF  | DG  | DT | DN | DD |
| Oval                                         | 50 | 96  | 114 | 76  | -  | -  | -  |
| Round                                        | 65 | 145 | 185 | 118 | 17 | 4  | 19 |
|                                              | 80 | 160 | 200 | 132 | 19 | 8  |    |



Round Flange

| Dimensions [mm] |           |      |             |             |     |     |     |     |    |     |     |     |    |     |        |        |             |    |
|-----------------|-----------|------|-------------|-------------|-----|-----|-----|-----|----|-----|-----|-----|----|-----|--------|--------|-------------|----|
| Size DA         | Model     | Fig. | Flange Type | Output [kW] | DA  | A   | B   | C   | D  | E   | F   | H   | DE | J   | L1 (*) | CL [m] | Weight [kg] |    |
| 50              | 50DVS51.5 | 1    | Oval        | 1.5         | G2" | 249 | 171 | 163 | 86 | 125 | 82  | 439 | 96 | -   | 105    | 6      | 27          |    |
| 65              | 65DVS51.5 | 2    | Round       | 1.5         | 65  | 396 | 195 | 298 | 98 | 210 | 178 | 519 | -  | 145 | 125    |        | 10          | 34 |
|                 | 2.2       |      |             | 160         |     |     |     |     |    |     |     |     |    | 155 | 50     |        |             |    |
|                 | 3.7       |      |             | 185         |     |     |     |     |    |     |     |     |    | 155 | 59     |        |             |    |
| 80              | 80DVS51.5 | 2    | Round       | 1.5         | 80  | 411 | 195 | 313 | 98 | 220 | 183 | 519 | -  | 145 | 125    | 6      | 35          |    |
|                 | 2.2       |      |             | 160         |     |     |     |     |    |     |     |     |    | 155 | 51     |        |             |    |
|                 | 3.7       |      |             | 227         |     |     |     |     |    |     |     |     |    | 155 | 60     |        |             |    |

- (\*) - L.W.L (Low Water Level)
- Operation is limited to 10 minutes at L.W.L.
- Operation is limited to 30 minutes with water level below top of motor

DVS with QDC

Figure 1

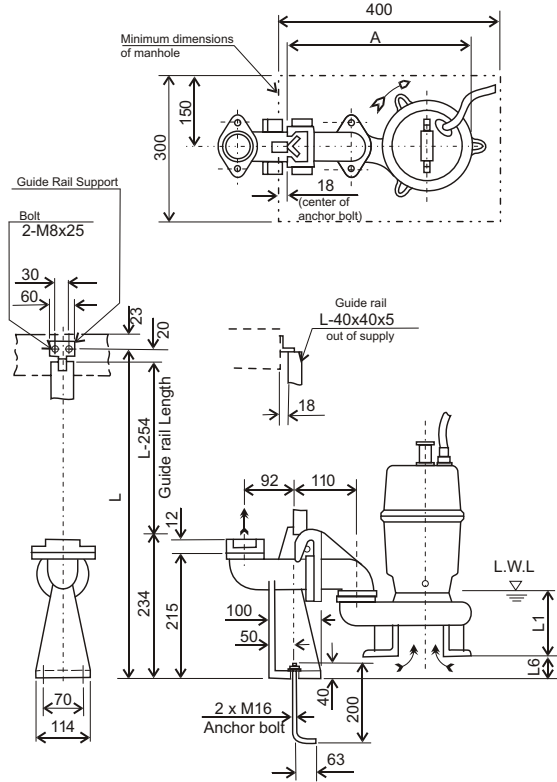
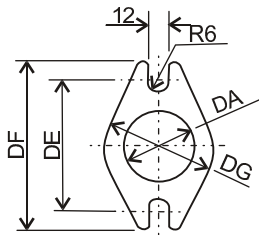
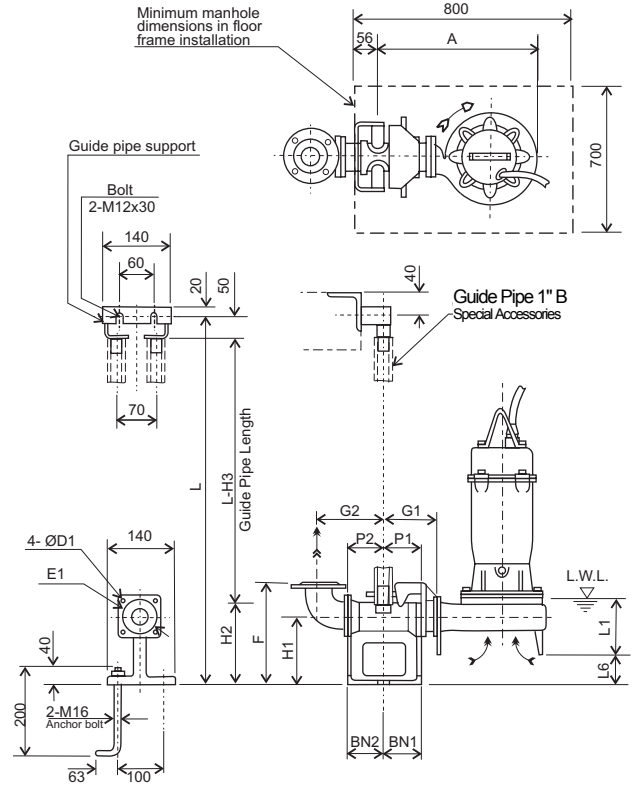
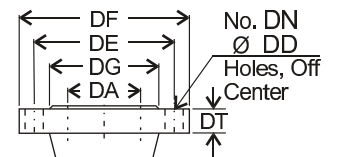


Figure 2



Oval Flange

| Discharge flange dimensions [mm] - EN 1092-2 |    |     |     |     |    |    |    |
|----------------------------------------------|----|-----|-----|-----|----|----|----|
| Type                                         | DA | DE  | DF  | DG  | DT | DN | DD |
| Oval                                         | 50 | 96  | 114 | 76  | -  | -  | -  |
| Round                                        | 65 | 145 | 185 | 118 | 17 | 4  | 19 |
|                                              | 80 | 160 | 200 | 132 | 19 | 8  | 19 |

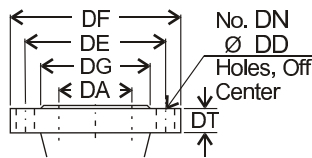
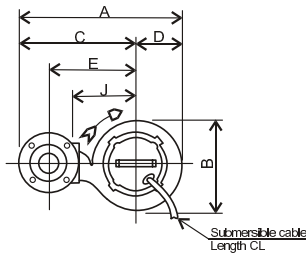
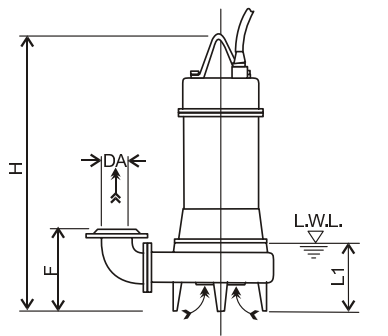


Round Flange

| Dimensions [mm] |           |      |             |             |     |    |    |     |     |     |     |     |     |        |    |     |     |    |     |       |             |  |
|-----------------|-----------|------|-------------|-------------|-----|----|----|-----|-----|-----|-----|-----|-----|--------|----|-----|-----|----|-----|-------|-------------|--|
| Size            | Model     | Fig. | Flange Type | Output [kW] | A   | P1 | P2 | G1  | G2  | F   | H1  | H2  | H3  | L1 (*) | L6 | BN1 | BN2 | D1 | E1  | QDC   |             |  |
|                 |           |      |             |             |     |    |    |     |     |     |     |     |     |        |    |     |     |    |     | Model | Weight [kg] |  |
| 50              | 50DVS51.5 | 1    | Oval        | 1.5         | 311 | -  | -  | -   | -   | -   | -   | -   | -   | 105    | 58 | -   | -   | -  | -   | LS50  | 9           |  |
| 65              | 65DVS51.5 | 2    | Round       | 1.5         | 363 | 75 | 95 | 120 | 160 | 250 | 145 | 190 | 240 | 125    | 72 | 75  | 95  | 12 | 140 | LM65  | 14          |  |
|                 | 2.2       |      |             | 394         | 155 |    |    |     |     |     |     |     |     | 49     |    |     |     |    |     |       |             |  |
|                 | 3.7       |      |             | 394         | 125 |    |    |     |     |     |     |     |     | 72     |    |     |     |    |     |       |             |  |
|                 | 3.7       |      |             | 394         | 155 |    |    |     |     |     |     |     |     | 49     |    |     |     |    |     |       |             |  |
| 80              | 80DVS51.5 | 2    | Round       | 1.5         | 363 | 75 | 95 | 120 | 170 | 255 | 145 | 190 | 240 | 125    | 72 | 75  | 95  | 12 | 140 | LM65  | 14          |  |
|                 | 2.2       |      |             | 394         | 125 |    |    |     |     |     |     |     |     | 72     |    |     |     |    |     |       |             |  |
|                 | 3.7       |      |             | 394         | 155 |    |    |     |     |     |     |     |     | 49     |    |     |     |    |     |       |             |  |

- (\*) - L.W.L (Low Water Level)
- Operation is limited to 10 minutes at L.W.L.
- Operation is limited to 30 minutes with water level below top of motor

DL

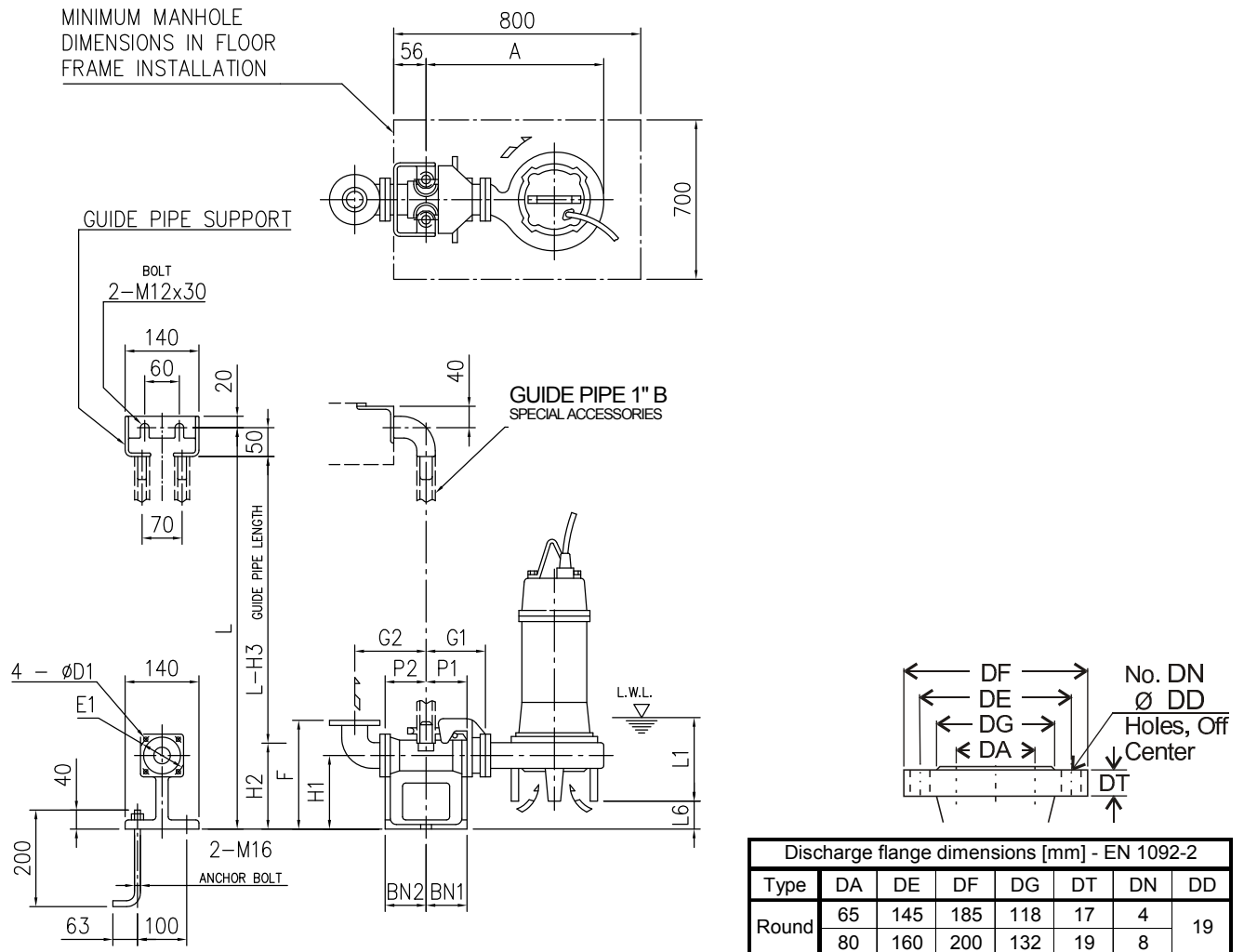


| Discharge flange dimensions [mm] - EN 1092-2 |     |     |     |     |    |    |    |
|----------------------------------------------|-----|-----|-----|-----|----|----|----|
| Type                                         | DA  | DE  | DF  | DG  | DT | DN | DD |
| Round                                        | 65  | 145 | 185 | 118 | 17 | 4  | 19 |
|                                              | 80  | 160 | 200 | 132 | 19 | 8  |    |
|                                              | 100 | 180 | 220 | 156 | 21 |    |    |
|                                              | 150 | 240 | 285 | 211 | 23 |    | 23 |
|                                              | 200 | 295 | 340 | 266 |    |    |    |
|                                              | 250 | 350 | 395 | 319 | 25 | 12 |    |
| 300                                          | 400 | 445 | 370 | 24  |    |    |    |

| Dimensions [mm] |            |             |      |      |     |     |     |     |      |      |        |        | Weight [kg] |
|-----------------|------------|-------------|------|------|-----|-----|-----|-----|------|------|--------|--------|-------------|
| Size DA         | Model      | Output [kW] | A    | B    | C   | D   | E   | F   | H    | J    | L1 (*) | CL [m] |             |
| 65              | 65DL51.5   | 1.5         | 497  | 291  | 353 | 144 | 265 | 200 | 576  | 200  | 140    | 10     | 52          |
| 80              | 80DL51.5   | 1.5         | 524  | 292  | 378 | 146 | 285 | 220 | 597  | 210  | 165    |        | 55          |
|                 | 80DL52.2   | 2.2         | 542  | 308  | 388 | 154 | 295 |     | 654  | 220  |        |        | 67          |
|                 | 80DL53.7   | 3.7         | 567  | 328  | 403 | 164 | 310 | 687 | 235  | 75   |        |        |             |
|                 | 80DLC55.5  | 5.5         | 618  | 379  | 428 | 190 | 335 | 307 | 753  | 260  | 205    |        | 134         |
|                 | 80DLC57.5  | 7.5         | 648  | 399  | 448 | 200 | 355 | 305 | 751  | 280  |        |        | 148         |
| 100             | 100DL53.7  | 3.7         | 614  | 335  | 445 | 169 | 340 | 250 | 706  | 235  | 205    |        | 79          |
|                 | 100DLB55.5 | 5.5         | 646  | 369  | 460 | 186 | 355 | 323 | 768  | 250  |        |        | 123         |
|                 | 100DLC55.5 | 5.5         | 660  | 379  | 470 | 190 | 365 | 322 | 753  | 260  |        |        | 134         |
|                 | 100DLB57.5 | 7.5         | 673  | 385  | 480 | 193 | 375 | 323 | 760  | 270  |        |        | 141         |
|                 | 100DLC57.5 | 7.5         | 690  | 399  | 490 | 200 | 385 | 320 | 751  | 280  |        |        | 148         |
|                 | 100DL511   | 11          | 701  | 402  | 500 | 201 | 395 | 323 | 859  | 290  |        |        | 180         |
|                 | 100DL515   | 15          | 741  | 441  | 520 | 221 | 415 | 330 | 954  | 310  |        |        | 230         |
|                 | 100DL518.5 | 18.5        |      |      |     |     |     |     | 958  |      |        |        | 285         |
| 150             | 150DL55.5  | 5.5         | 750  | 398  | 550 | 200 | 410 | 381 | 799  | 280  | 245    |        | 146         |
|                 | 150DL57.5  | 7.5         | 780  | 418  | 570 | 210 | 430 | 377 | 784  | 300  |        |        | 158         |
|                 | 150DL511   | 11          | 810  | 438  | 590 | 220 | 450 |     | 883  | 320  |        |        | 199         |
|                 | 150DL515   | 15          |      |      |     |     |     | 972 | 237  |      |        |        |             |
|                 | 150DL518.5 | 18.5        | 848  | 476  | 610 | 238 | 470 | 381 | 979  | 340  |        | 300    |             |
|                 | 150DL522   | 22          |      |      |     |     |     |     |      |      |        | 325    |             |
|                 | 150DL530   | 30          | 912  | 520  | 650 | 262 | 510 | 468 | 1284 | 360  |        | 486    | 350         |
|                 | 150DL537   | 37          |      |      |     |     |     |     | 1404 |      |        | 494    | 350         |
|                 | 150DL545   | 45          |      |      |     |     |     |     | 350  |      |        |        |             |
| 200             | 200DL55.5  | 5.5         | 832  | 430  | 615 | 217 | 450 | 414 | 826  | 300  | 285    | 160    |             |
|                 | 200DL57.5  | 7.5         | 863  | 453  | 635 | 228 | 470 | 410 | 809  | 320  |        | 176    |             |
|                 | 200DL511   | 11          |      |      |     |     |     |     | 908  |      |        | 212    |             |
|                 | 200DL515   | 15          | 896  | 479  | 655 | 241 | 490 | 411 | 995  | 340  |        | 260    |             |
|                 | 200DL518.5 | 18.5        | 932  | 512  | 675 | 257 | 510 | 415 | 1001 | 360  |        | 305    |             |
|                 | 200DL522   | 22          |      |      |     |     |     |     |      |      |        | 330    |             |
|                 | 200DL530   | 30          | 937  | 520  | 675 | 262 | 510 | 483 | 1284 | 360  |        | 486    | 350         |
|                 | 200DL537   | 37          |      |      |     |     |     |     | 1404 |      |        | 494    | 370         |
|                 | 200DL545   | 45          |      |      |     |     |     |     | 370  |      |        |        |             |
| 250             | 250DL57.5  | 7.5         | 969  | 525  | 700 | 269 | 500 | 622 | 904  | 370  | 400    | 260    |             |
|                 | 250DL511   | 11          | 993  | 541  | 720 | 273 | 520 | 634 | 1000 | 390  |        | 320    |             |
|                 | 250DL515   | 15          | 1007 | 549  | 730 | 277 | 530 | 646 | 1086 | 400  |        | 380    |             |
|                 | 250DL518.5 | 18.5        |      |      |     |     |     |     | 1089 |      |        | 420    |             |
|                 | 250DL522   | 22          | 1125 | 660  | 790 | 335 | 590 | 706 | 1336 | 460  |        | 440    |             |
|                 | 250DL530   | 30          |      |      |     |     |     |     | 1475 |      |        | 538    | 458         |
|                 | 250DL537   | 37          |      |      |     |     |     |     | 1475 | 565  |        | 522    |             |
|                 | 250DL545   | 45          | 540  |      |     |     |     |     |      |      |        |        |             |
|                 | 300        | 300DL511    | 11   | 1100 | 588 | 798 | 302 | 575 | 671  | 1050 |        | 420    | 450         |
| 300DL515        |            | 15          | 1131 |      |     |     |     |     |      | 440  | 395    |        |             |
| 300DL518.5      |            | 18.5        | 1135 | 618  | 818 | 317 | 595 | 668 | 1336 | 460  | 538    | 440    |             |
| 300DL522        |            | 22          |      |      |     |     |     |     |      |      |        | 1475   | 565         |
| 300DL530        |            | 30          | 1172 | 660  | 838 | 335 | 615 | 726 | 1475 | 460  | 565    | 458    |             |
| 300DL537        |            | 37          |      |      |     |     |     |     |      |      |        | 522    |             |
| 300DL545        | 45         | 540         |      |      |     |     |     |     |      |      |        |        |             |

(\*) -L.W.L (Low Water Level)  
 -Operation is limited to 10 minutes at L.W.L.  
 -Operation is limited to 30 minutes with water level below top of motor

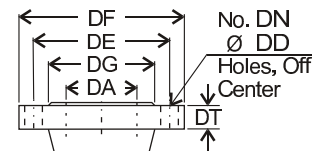
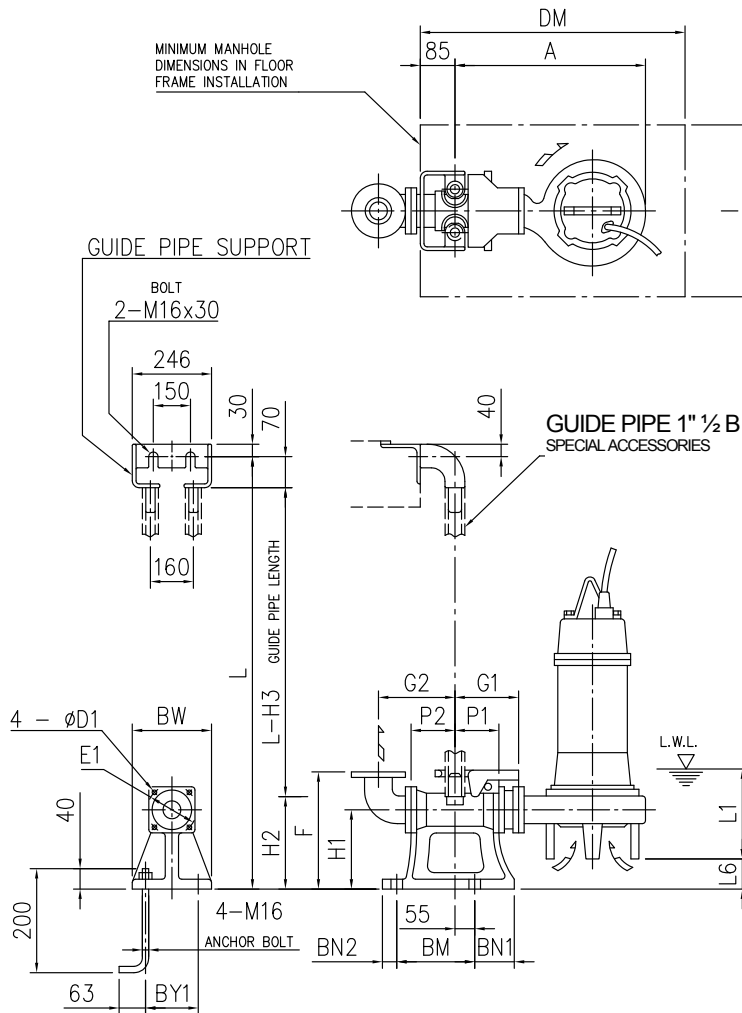
### 65DL, 80DL (1.5÷3.7 kW) with QDC



| Dimensions [mm] |          |             |     |    |    |     |     |     |     |     |     |        |    |     |     |    |     |       |             |
|-----------------|----------|-------------|-----|----|----|-----|-----|-----|-----|-----|-----|--------|----|-----|-----|----|-----|-------|-------------|
| Size DA         | Model    | Output [kW] | A   | P1 | P2 | G1  | G2  | F   | H1  | H2  | H3  | L1 (*) | L6 | BN1 | BN2 | D1 | E1  | QDC   |             |
|                 |          |             |     |    |    |     |     |     |     |     |     |        |    |     |     |    |     | Model | Weight [kg] |
| 65              | 65DL51.5 | 1.5         | 464 | 75 | 95 | 120 | 160 | 250 | 145 | 190 | 240 | 140    | 50 | 75  | 95  | 12 | 140 | LM65  | 14          |
|                 | 80DL51.5 | 1.5         | 481 |    | 90 | 125 | 165 | 285 | 175 | 230 | 280 | 165    | 65 |     | 90  | 15 | 155 | LM80  | 17          |
| 80              | 80DL52.2 | 2.2         | 499 | 75 | 90 | 125 | 165 | 285 | 175 | 230 | 280 | 165    | 65 | 75  | 90  | 15 | 155 | LM80  | 17          |
|                 | 80DL53.7 | 3.7         | 524 |    | 90 | 125 | 165 | 285 | 175 | 230 | 280 | 165    | 65 |     | 90  | 15 | 155 | LM80  | 17          |

- L.W.L (Low Water Level)
- (\*) - Operation is limited to 10 minutes at L.W.L.
- Operation is limited to 30 minutes with water level below top of motor

80DL (5.5÷7.5), 100DL with QDC

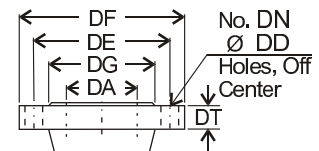
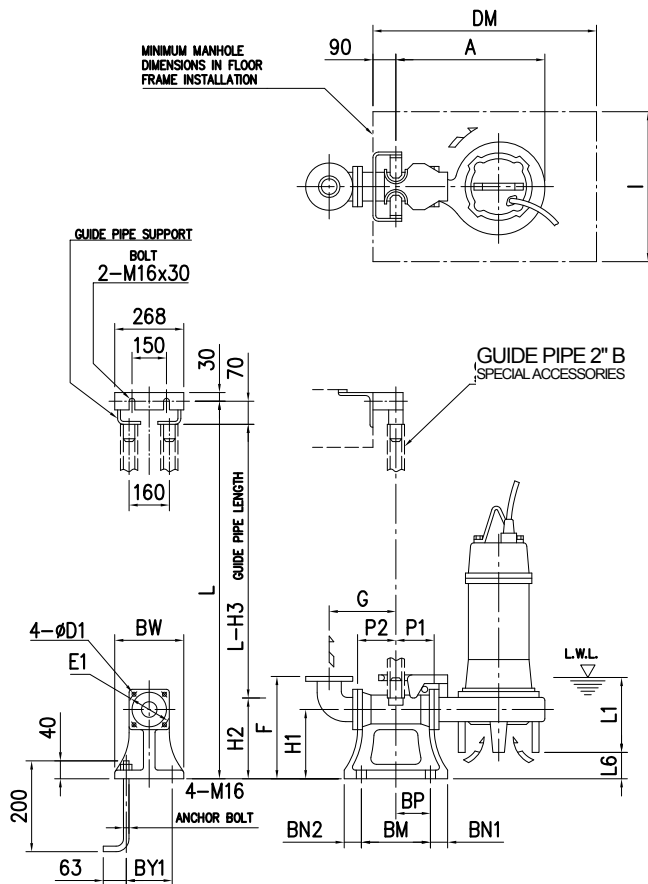


| Discharge flange dimensions [mm] - EN 1092-2 |     |     |     |     |    |    |    |
|----------------------------------------------|-----|-----|-----|-----|----|----|----|
| Type                                         | DA  | DE  | DF  | DG  | DT | DN | DD |
| Round                                        | 80  | 160 | 200 | 132 | 19 | 8  | 19 |
|                                              | 100 | 180 | 220 | 156 | 21 |    |    |

| Dimensions [mm] |            |                |     |     |     |     |     |     |     |     |     |           |     |     |     |     |     |     |     |     |     |     |       |                |       |    |
|-----------------|------------|----------------|-----|-----|-----|-----|-----|-----|-----|-----|-----|-----------|-----|-----|-----|-----|-----|-----|-----|-----|-----|-----|-------|----------------|-------|----|
| Size<br>DA      | Model      | Output<br>[kW] | A   | P1  | P2  | G1  | G2  | F   | H1  | H2  | H3  | L1<br>(*) | L6  | BN1 | BN2 | BM  | BY1 | BW  | DM  | I   | QDC |     |       |                |       |    |
|                 |            |                |     |     |     |     |     |     |     |     |     |           |     |     |     |     |     |     |     |     | D1  | E1  | Model | Weight<br>[kg] |       |    |
| 80              | 80DLC55.5  | 5.5            | 635 |     | 120 |     | 195 | 350 |     | 255 | 325 | 205       | 43  |     |     |     |     |     |     |     |     | 15  | 155   | LL80           | 44    |    |
|                 | 80DLC57.5  | 7.5            | 665 |     |     |     |     |     |     |     |     |           | 45  |     |     |     |     |     |     |     |     | 19  | 175   | LL100          | 46    |    |
| 100             | 100DL53.7  | 3.7            | 589 | 105 | 105 | 185 | 210 |     | 240 | 265 | 335 | 185       | 115 | 100 | 40  | 220 | 180 | 230 | 800 | 700 |     | 19  | 175   | LL100          | 46    |    |
|                 | 100DLB55.5 | 5.5            | 621 |     | 42  |     |     |     |     |     |     |           | 15  |     |     |     |     |     |     |     |     | 155 | LL80  | 44             |       |    |
|                 | 100DLC55.5 | 5.5            | 635 |     | 120 | 225 | 210 | 365 | 255 | 325 | 205 | 43        |     |     |     |     |     |     |     |     |     | 19  | 175   | LL100          | 46    |    |
|                 | 100DLB57.5 | 7.5            | 648 |     | 105 |     |     |     |     |     |     |           |     |     |     |     |     |     |     |     |     | 225 | 255   | 325            | 45    | 15 |
|                 | 100DLC57.5 | 7.5            | 665 |     | 120 | 225 | 210 | 365 | 255 | 325 | 205 | 43        |     |     |     |     |     |     |     |     |     |     | 19    | 175            | LL100 | 46 |
|                 | 100DL511   | 11             | 676 |     | 105 |     |     |     |     |     |     |           |     |     |     |     |     |     |     |     |     |     | 225   | 255            | 325   | 45 |
|                 | 100DL515   | 15             | 716 |     | 105 | 210 |     |     | 265 | 335 | 35  | 42        |     |     |     |     |     |     |     |     |     |     | 19    | 175            | LL100 | 46 |
|                 | 100DL518.5 | 18.5           |     |     |     |     |     |     |     |     |     |           |     |     |     |     |     |     |     |     |     |     |       |                |       |    |

- L.W.L (Low Water Level)
- Operation is limited to 10 minutes at L.W.L.
- (\*) - Operation is limited to 30 minutes with water level below top of motor

150DL, 200DL with QDC

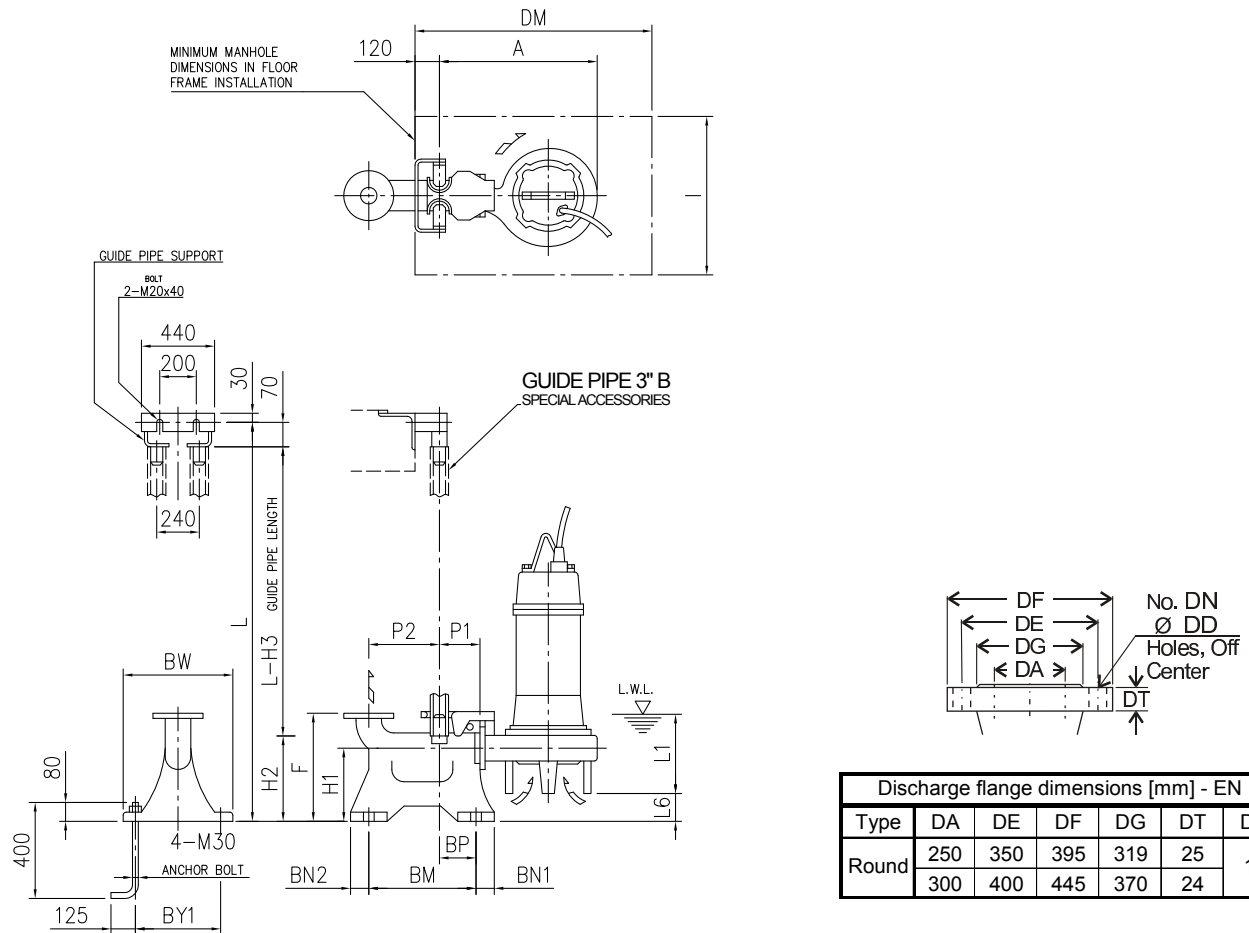


| Type  | DA  | DE  | DF  | DG  | DT | DN | DD |
|-------|-----|-----|-----|-----|----|----|----|
| Round | 150 | 240 | 285 | 211 | 23 | 8  | 23 |
|       | 200 | 295 | 340 | 266 |    |    |    |

| Dimensions [mm] |            |                |     |     |     |     |     |     |     |     |            |    |     |     |     |     |     |      |     |     |       |    |       |                |
|-----------------|------------|----------------|-----|-----|-----|-----|-----|-----|-----|-----|------------|----|-----|-----|-----|-----|-----|------|-----|-----|-------|----|-------|----------------|
| Size<br>DA      | Model      | Output<br>[kW] | A   | P1  | P2  | G   | F   | H1  | H2  | H3  | L1<br>(* ) | L6 | BN1 | BN2 | BM  | BP  | BY1 | BW   | DM  | I   | D1    | E1 | QDC   |                |
|                 |            |                |     |     |     |     |     |     |     |     |            |    |     |     |     |     |     |      |     |     |       |    | Model | Weight<br>[kg] |
| 150             | 150DL55.5  | 5.5            | 635 | 155 | 195 | 325 | 450 | 290 | 362 | 432 | 69         | 60 | 60  | 370 | 165 | 280 | 330 | 1000 | 700 | 210 | LL125 | 65 |       |                |
|                 | 150DL57.5  | 7.5            | 665 |     |     |     |     |     |     |     | 73         |    |     |     |     |     |     |      |     |     |       |    |       |                |
|                 | 150DL511   | 11             | 695 |     |     |     |     |     |     |     | 73         |    |     |     |     |     |     |      |     |     |       |    |       |                |
|                 | 150DL515   | 15             | 733 |     |     |     |     |     |     |     | 73         |    |     |     |     |     |     |      |     |     |       |    |       |                |
|                 | 150DL518.5 | 18.5           | 733 |     |     |     |     |     |     |     | 73         |    |     |     |     |     |     |      |     |     |       |    |       |                |
|                 | 150DL522   | 22             | 733 |     |     |     |     |     |     |     | 73         |    |     |     |     |     |     |      |     |     |       |    |       |                |
|                 | 150DL530   | 30             | 777 |     |     |     |     |     |     |     | 288        |    |     |     |     |     |     |      |     |     |       |    |       |                |
|                 | 150DL537   | 37             | 777 |     |     |     |     |     |     |     | 296        |    |     |     |     |     |     |      |     |     |       |    |       |                |
|                 | 150DL545   | 45             | 777 |     |     |     |     |     |     |     | 296        |    |     |     |     |     |     |      |     |     |       |    |       |                |
|                 | 200DL55.5  | 5.5            | 672 |     |     |     |     |     |     |     | 81         |    |     |     |     |     |     |      |     |     |       |    |       |                |
| 200DL57.5       | 7.5        | 703            | 85  |     |     |     |     |     |     |     |            |    |     |     |     |     |     |      |     |     |       |    |       |                |
| 200DL511        | 11         | 736            | 84  |     |     |     |     |     |     |     |            |    |     |     |     |     |     |      |     |     |       |    |       |                |
| 200DL515        | 15         | 736            | 84  |     |     |     |     |     |     |     |            |    |     |     |     |     |     |      |     |     |       |    |       |                |
| 200DL518.5      | 18.5       | 772            | 80  |     |     |     |     |     |     |     |            |    |     |     |     |     |     |      |     |     |       |    |       |                |
| 200DL522        | 22         | 772            | 80  |     |     |     |     |     |     |     |            |    |     |     |     |     |     |      |     |     |       |    |       |                |
| 200DL530        | 30         | 777            | 288 |     |     |     |     |     |     |     |            |    |     |     |     |     |     |      |     |     |       |    |       |                |
| 200DL537        | 37         | 777            | 296 |     |     |     |     |     |     |     |            |    |     |     |     |     |     |      |     |     |       |    |       |                |
| 200DL545        | 45         | 777            | 296 |     |     |     |     |     |     |     |            |    |     |     |     |     |     |      |     |     |       |    |       |                |

(\*) - L.W.L (Low Water Level)  
 - Operation is limited to 10 minutes at L.W.L.  
 - Operation is limited to 30 minutes with water level below top of motor

250DL, 300DL with QDC



Discharge flange dimensions [mm] - EN 1092-2

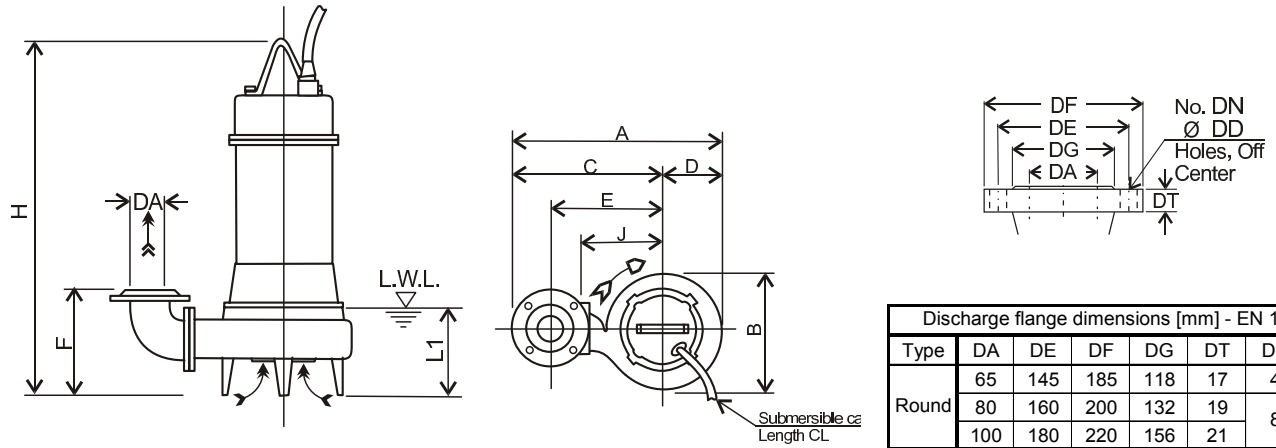
| Type  | DA  | DE  | DF  | DG  | DT | DN | DD |
|-------|-----|-----|-----|-----|----|----|----|
| Round | 250 | 350 | 395 | 319 | 25 | 12 | 23 |
|       | 300 | 400 | 445 | 370 | 24 |    |    |

| Dimensions [mm] |            |                |     |     |     |     |     |     |     |           |     |     |     |      |     |       |      |     |       |       |                |
|-----------------|------------|----------------|-----|-----|-----|-----|-----|-----|-----|-----------|-----|-----|-----|------|-----|-------|------|-----|-------|-------|----------------|
| Size<br>DA      | Model      | Output<br>[kW] | A   | P1  | P2  | F   | H1  | H2  | H3  | L1<br>(*) | L6  | BN1 | BN2 | BM   | BP  | BY1   | BW   | DM  | I     | QDC   |                |
|                 |            |                |     |     |     |     |     |     |     |           |     |     |     |      |     |       |      |     |       | Model | Weight<br>[kg] |
| 250             | 250DL57.5  | 7.5            | 834 | 195 | 435 | 700 | 350 | 440 | 510 | 400       | 58  | 70  | 70  | 650  | 500 | 560   | 1200 | 900 | LL250 | 150   |                |
|                 | 250DL511   | 11             | 858 |     |     |     |     |     |     |           | 46  |     |     |      |     |       |      |     |       |       |                |
|                 | 250DL515   | 15             |     |     |     |     |     |     |     |           |     |     |     |      |     |       |      |     |       |       |                |
|                 | 250DL518.5 | 18.5           | 872 |     |     |     |     |     |     |           |     |     |     |      |     |       |      |     |       |       |                |
|                 | 250DL522   | 22             |     |     |     |     |     |     |     |           |     |     |     |      |     |       |      |     |       |       |                |
|                 | 250DL530   | 30             |     |     |     |     |     |     |     |           |     |     |     |      |     |       |      |     |       |       |                |
|                 | 250DL537   | 37             | 990 |     |     |     |     |     |     |           | 292 |     |     |      |     |       |      |     |       |       |                |
| 250DL545        | 45         |                | 319 |     |     |     |     |     |     |           |     |     |     |      |     |       |      |     |       |       |                |
| 300             | 300DL511   | 11             | 917 | 465 | 800 | 430 | 550 | 620 | 450 | 109       | 680 | 580 | 640 | 1200 | 900 | LL300 | 200  |     |       |       |                |
|                 | 300DL515   | 15             | 952 |     |     |     |     |     |     | 112       |     |     |     |      |     |       |      |     |       |       |                |
|                 | 300DL518.5 | 18.5           |     |     |     |     |     |     |     |           |     |     |     |      |     |       |      |     |       |       |                |
|                 | 300DL522   | 22             |     |     |     |     |     |     |     |           |     |     |     |      |     |       |      |     |       |       |                |
|                 | 300DL530   | 30             |     |     |     |     |     |     |     |           |     |     |     |      |     |       |      |     |       |       |                |
|                 | 300DL537   | 37             | 990 |     |     |     |     |     |     | 292       |     |     |     |      |     |       |      |     |       |       | 300            |
|                 | 300DL545   | 45             |     |     |     |     |     |     |     | 319       |     |     |     |      |     |       |      |     |       |       |                |

(\*) - L.W.L (Low Water Level)  
 - Operation is limited to 10 minutes at L.W.L.  
 - Operation is limited to 30 minutes with water level below top of motor



**DL W/C**

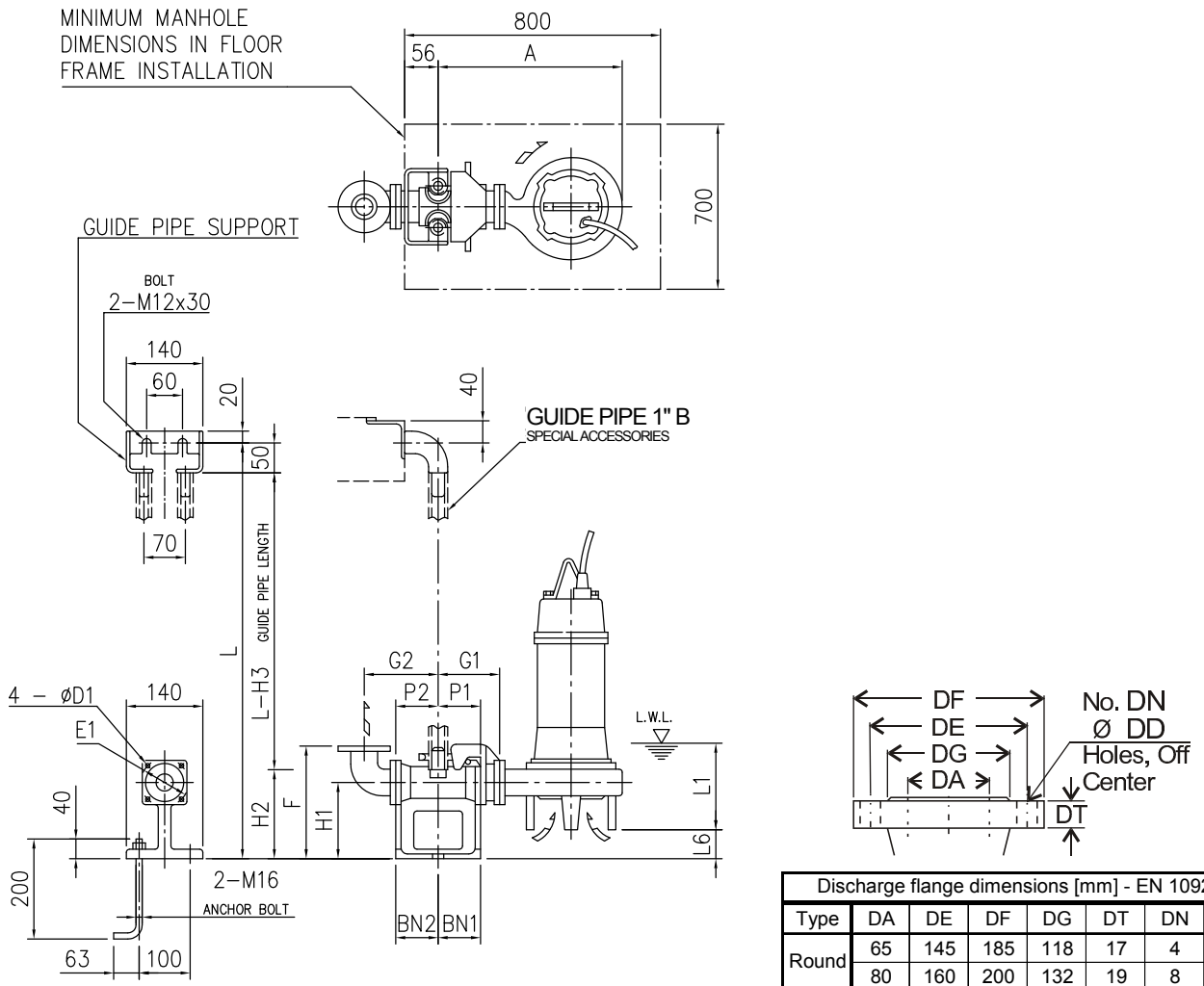


| Type  | DA  | DE  | DF  | DG  | DT | DN | DD |
|-------|-----|-----|-----|-----|----|----|----|
| Round | 65  | 145 | 185 | 118 | 17 | 4  | 19 |
|       | 80  | 160 | 200 | 132 | 19 | 8  |    |
|       | 100 | 180 | 220 | 156 | 21 |    |    |

| Size DA | Model         | Output [kW] | A   | B   | C   | D   | E   | F   | H   | J   | L1 (*) | CL [m] | Weight [kg] |
|---------|---------------|-------------|-----|-----|-----|-----|-----|-----|-----|-----|--------|--------|-------------|
| 65      | 65DL51.5W/C   | 1.5         | 497 | 291 | 353 | 144 | 265 | 200 | 576 | 200 | 140    | 10     | 52          |
| 80      | 80DL51.5W/C   | 1.5         | 524 | 292 | 378 | 146 | 285 | 220 | 597 | 210 | 165    |        | 55          |
|         | 80DL52.2W/C   | 2.2         | 542 | 308 | 388 | 154 | 295 |     | 654 | 220 |        |        | 67          |
|         | 80DL53.7W/C   | 3.7         | 567 | 328 | 403 | 164 | 310 |     | 687 | 235 |        |        | 75          |
| 100     | 100DL53.7W/C  | 3.7         | 614 | 335 | 445 | 169 | 340 | 250 | 706 | 235 | 185    |        | 79          |
|         | 100DLB55.5W/C | 5.5         | 646 | 369 | 460 | 186 | 355 | 323 | 768 | 250 | 205    |        | 123         |
|         | 100DLB57.5W/C | 7.5         | 673 | 385 | 480 | 193 | 375 |     | 760 | 270 |        | 141    |             |

- (\*)
- L.W.L. (Low Water Level)
  - Operation is limited to 10 minutes at L.W.L.
  - Operation is limited to 30 minutes with water level below top of motor

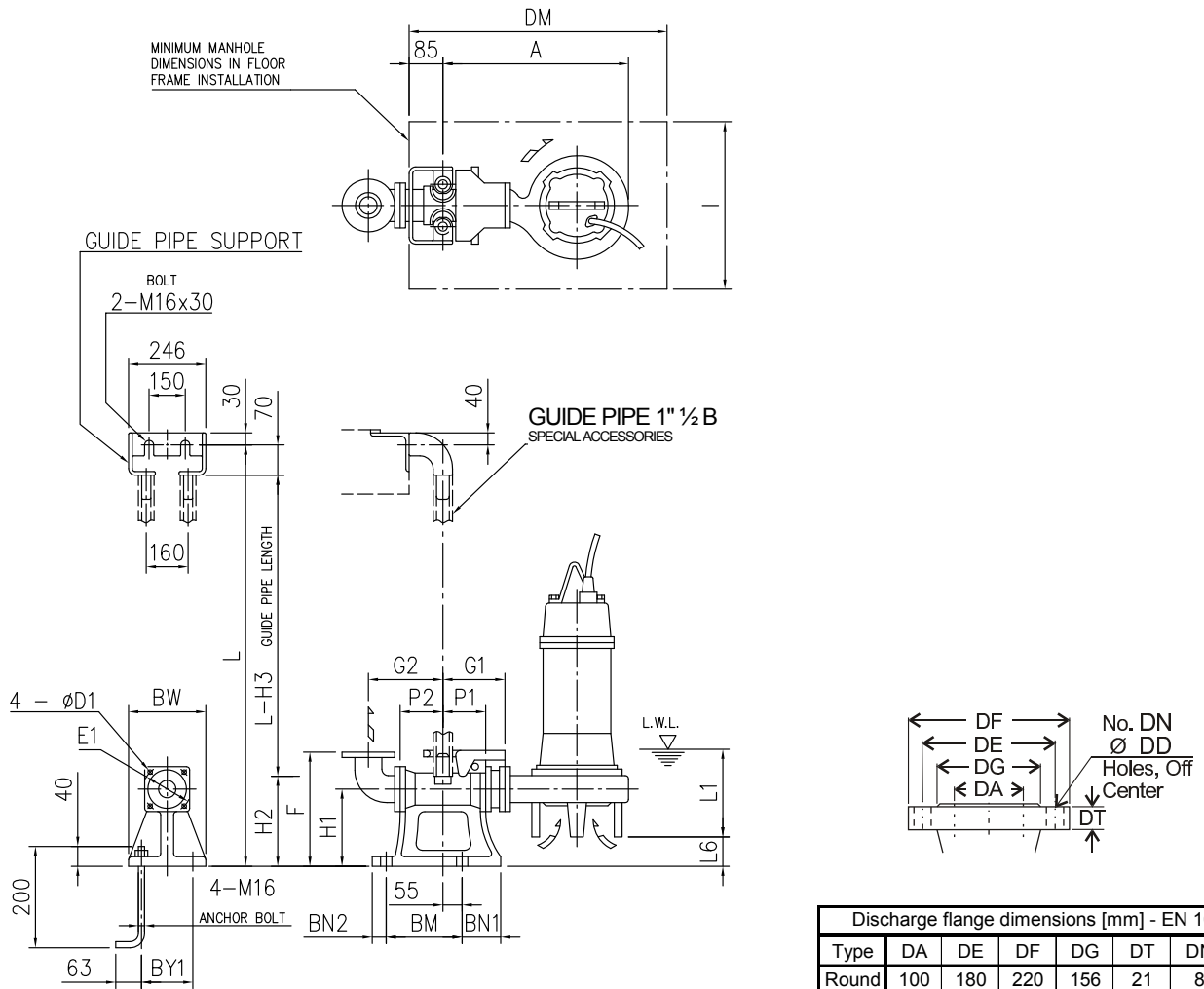
65DL W/C, 80DL W/C (1.5÷3.7 kW) with QDC



| Dimensions [mm] |             |             |     |    |    |     |     |     |     |     |     |        |    |     |     |    |     |       |             |    |
|-----------------|-------------|-------------|-----|----|----|-----|-----|-----|-----|-----|-----|--------|----|-----|-----|----|-----|-------|-------------|----|
| Size DA         | Model       | Output [kW] | A   | P1 | P2 | G1  | G2  | F   | H1  | H2  | H3  | L1 (*) | L6 | BN1 | BN2 | D1 | E1  | QDC   |             |    |
|                 |             |             |     |    |    |     |     |     |     |     |     |        |    |     |     |    |     | Model | Weight [kg] |    |
| 65              | 65DL51.5W/C | 1.5         | 464 | 75 | 95 | 120 | 160 | 250 | 145 | 190 | 240 | 140    | 50 | 75  | 95  | 12 | 140 | LM65  | 14          |    |
|                 | 80DL51.5W/C | 1.5         | 481 |    | 90 | 125 | 165 | 285 | 175 | 230 | 280 | 165    | 65 |     | 90  | 15 | 155 | LM80  | 17          |    |
| 80              | 80DL52.2W/C | 2.2         | 499 |    | 90 | 125 | 165 | 285 | 175 | 230 | 280 | 165    | 65 |     | 75  | 90 | 15  | 155   | LM80        | 17 |
|                 | 80DL53.7W/C | 3.7         | 524 |    | 90 | 125 | 165 | 285 | 175 | 230 | 280 | 165    | 65 |     | 75  | 90 | 15  | 155   | LM80        | 17 |

- L.W.L (Low Water Level)
- (\*) - Operation is limited to 10 minutes at L.W.L.
- Operation is limited to 30 minutes with water level below top of motor

100DL W/C with QDC

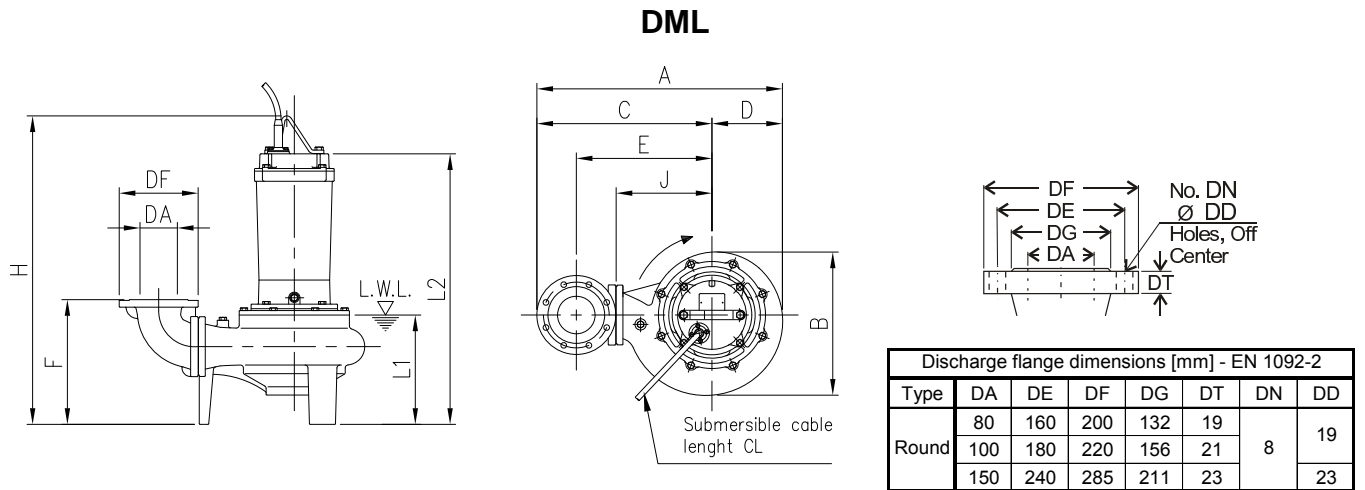


Discharge flange dimensions [mm] - EN 1092-2

| Type  | DA  | DE  | DF  | DG  | DT | DN | DD |
|-------|-----|-----|-----|-----|----|----|----|
| Round | 100 | 180 | 220 | 156 | 21 | 8  | 19 |

| Dimensions [mm] |               |             |     |     |     |     |     |     |     |     |     |        |     |     |     |     |     |     |     |     |    |     |           |                 |
|-----------------|---------------|-------------|-----|-----|-----|-----|-----|-----|-----|-----|-----|--------|-----|-----|-----|-----|-----|-----|-----|-----|----|-----|-----------|-----------------|
| Size            | Model         | Output [kW] | A   | P1  | P2  | G1  | G2  | F   | H1  | H2  | H3  | L1 (*) | L6  | BN1 | BN2 | BM  | BY1 | BW  | DM  | I   | D1 | E1  | QDC Model | QDC Weight [kg] |
| 100             | 100DL53.7W/C  | 3.7         | 589 |     |     |     |     |     |     |     |     | 185    | 115 |     |     |     |     |     |     |     |    |     |           |                 |
|                 | 100DLB55.5W/C | 5.5         | 621 | 105 | 105 | 185 | 210 | 365 | 240 | 265 | 335 | 205    | 42  | 100 | 40  | 220 | 180 | 230 | 800 | 700 | 19 | 175 | LL100     | 46              |
|                 | 100DLB57.5W/C | 7.5         | 648 |     |     |     |     |     |     |     |     |        |     |     |     |     |     |     |     |     |    |     |           |                 |

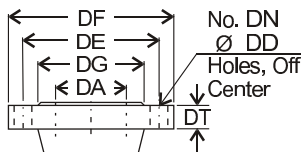
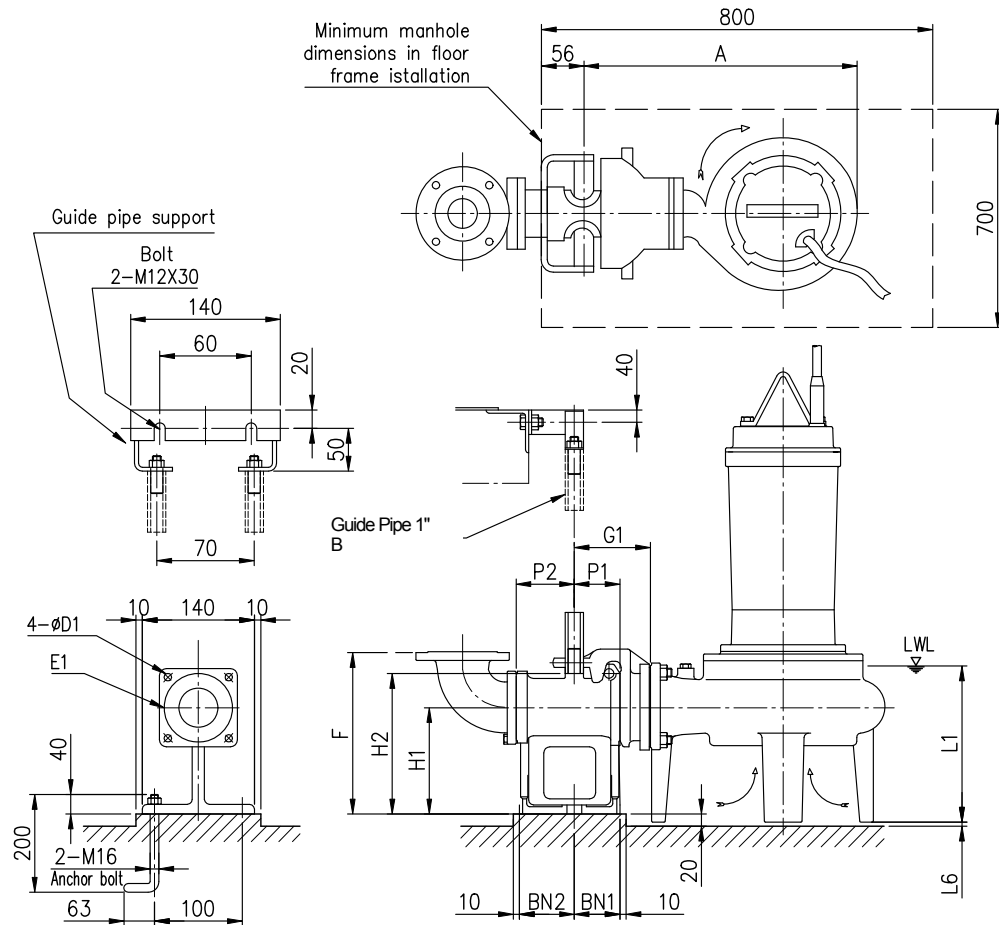
(\*) - L.W.L (Low Water Level)  
 - Operation is limited to 10 minutes at L.W.L.  
 - Operation is limited to 30 minutes with water level below top of motor



| Dimensions [mm] |            |             |       |       |       |     |     |      |      |     |        |     |        |             |     |     |     |     |     |     |
|-----------------|------------|-------------|-------|-------|-------|-----|-----|------|------|-----|--------|-----|--------|-------------|-----|-----|-----|-----|-----|-----|
| Size DA         | Model      | Output [kW] | A     | B     | C     | D   | E   | F    | H    | J   | L1 (*) | L2  | CL [m] | Weight [kg] |     |     |     |     |     |     |
| 80              | 80DML52.2  | 2.2         | 542   | 320   | 385   | 157 | 285 | 308  | 668  | 210 | 279    | 547 | 10     | 80          |     |     |     |     |     |     |
|                 | 80DML53.7  | 3.7         |       |       | 425   |     | 315 | 313  |      |     |        |     |        | 727         | 627 | 87  |     |     |     |     |
| 100             | 100DML53.7 | 3.7         | 582   | 381   | 470   | 188 | 360 | 339  | 824  | 255 | 310    | 724 |        | 89          |     |     |     |     |     |     |
|                 | 100DML55.5 | 5.5         | 658   |       | 530   |     | 420 | 355  |      |     |        |     |        | 938         | 315 | 329 | 778 | 121 |     |     |
|                 | 100DML57.5 | 7.5         | 751   |       | 530   |     | 420 | 355  |      |     |        |     |        | 938         | 315 | 329 | 778 | 125 |     |     |
|                 | 100DML511  | 11          | 751   |       | 455   |     | 530 | 221  |      |     |        |     |        | 420         | 355 | 938 | 315 | 329 | 778 | 160 |
|                 | 100DML515  | 15          | 751   |       | 455   |     | 530 | 221  |      |     |        |     |        | 420         | 355 | 938 | 315 | 329 | 778 | 166 |
| 150             | 100DML522  | 22          | 795   | 497   | 550   | 245 | 440 | 358  | 1021 | 335 | 342    | 841 |        | 226         |     |     |     |     |     |     |
|                 | 150DML55.5 | 5.5         | 715.5 | 381   | 527.5 | 188 | 385 | 369  | 824  | 255 | 310    | 724 |        | 127         |     |     |     |     |     |     |
|                 | 150DML57.5 | 7.5         |       |       |       |     |     |      |      |     |        |     |        | 132         |     |     |     |     |     |     |
|                 | 150DML511  | 11          | 808.5 | 455   | 587.5 | 221 | 445 | 385  | 938  | 315 | 329    | 778 | 166    |             |     |     |     |     |     |     |
|                 | 150DML515  | 15          |       |       |       |     |     |      |      |     |        |     | 172    |             |     |     |     |     |     |     |
| 150DML522       | 22         | 852.5       | 497   | 607.5 | 245   | 465 | 388 | 1021 | 335  | 342 | 841    | 232 |        |             |     |     |     |     |     |     |

- (\*)
- L.W.L (Low Water Level)
  - Operation is limited to 10 minutes at L.W.L.
  - Operation is limited to 30 minutes with water level below top of motor

80DML, 100DML (3.7 kW) with QDC

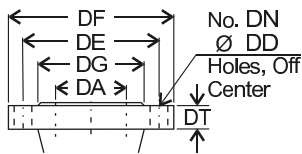
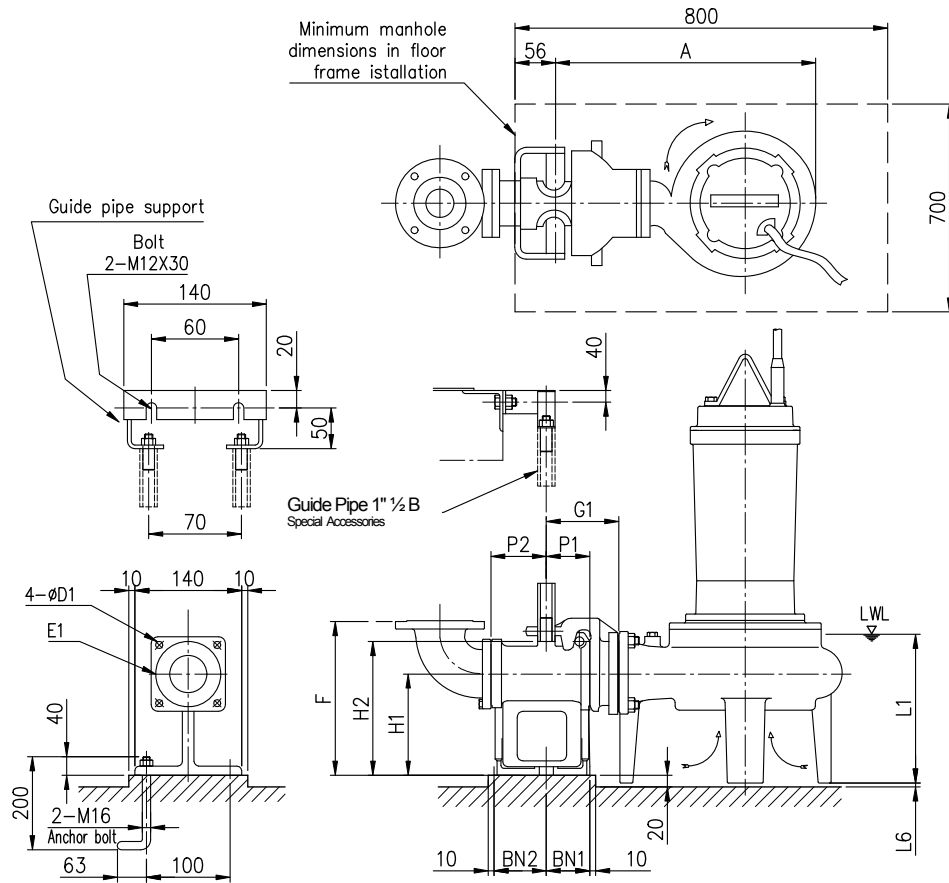


| Discharge flange dimensions [mm] - EN 1092-2 |     |     |     |     |    |    |    |
|----------------------------------------------|-----|-----|-----|-----|----|----|----|
| Type                                         | DA  | DE  | DF  | DG  | DT | DN | DD |
| Round                                        | 80  | 160 | 200 | 132 | 19 | 8  | 19 |
|                                              | 100 | 180 | 220 | 156 | 21 |    |    |

| Dimensions [mm] |            |                |     |    |    |     |     |     |     |     |           |    |     |     |    |     |       |                |
|-----------------|------------|----------------|-----|----|----|-----|-----|-----|-----|-----|-----------|----|-----|-----|----|-----|-------|----------------|
| Size<br>DA      | Model      | Output<br>[kW] | A   | P1 | P2 | G1  | G2  | F   | H1  | H2  | L1<br>(*) | L6 | BN1 | BN2 | D1 | E1  | QDC   |                |
|                 |            |                |     |    |    |     |     |     |     |     |           |    |     |     |    |     | Model | Weight<br>[kg] |
| 80              | 80DML52.2  | 2.2            | 492 | 75 | 90 | 125 | 165 | 295 | 175 | 230 | 279       | 7  | 75  | 90  | 15 | 155 | LM80  | 17             |
|                 | 80DML53.7  | 3.7            |     |    |    |     |     |     |     |     |           |    |     |     |    |     |       |                |
| 100             | 100DML53.7 | 3.7            |     |    |    |     | 195 | 300 |     |     |           |    |     |     |    |     |       |                |

- L.W.L (Low Water Level)
- (\*) - Operation is limited to 10 minutes at L.W.L.
- Operation is limited to 30 minutes with water level below top of motor

100DML (5.5÷22 kW), 150DML with QDC

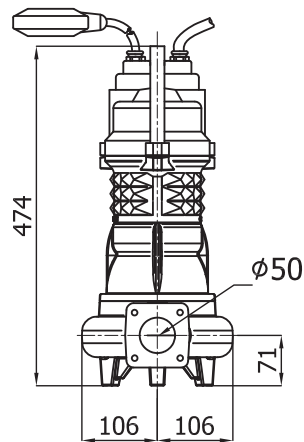
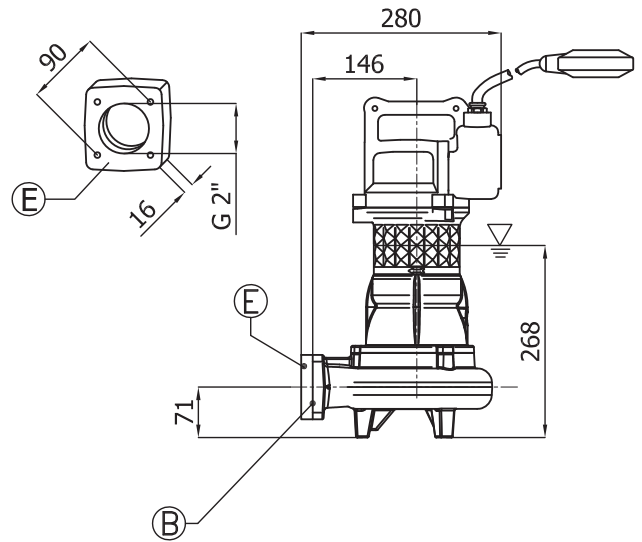
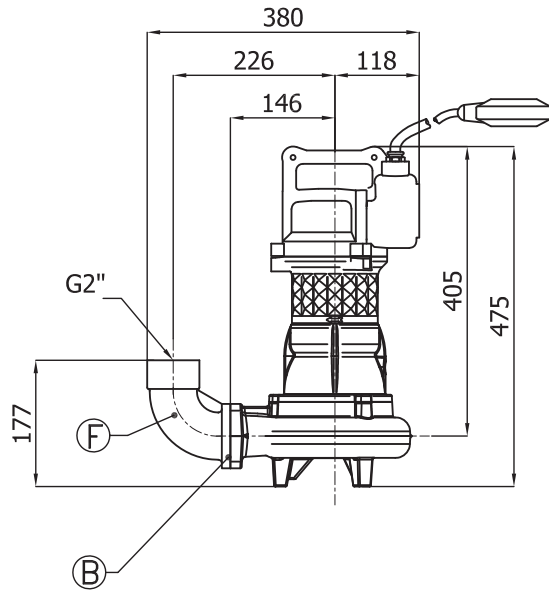


| Discharge flange dimensions [mm] - EN 1092-2 |     |     |     |     |    |    |    |
|----------------------------------------------|-----|-----|-----|-----|----|----|----|
| Type                                         | DA  | DE  | DF  | DG  | DT | DN | DD |
| Round                                        | 100 | 180 | 220 | 156 | 21 | 8  | 19 |
|                                              | 150 | 240 | 285 | 211 | 23 |    | 23 |


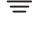

| Dimensions [mm] |            |             |     |    |    |    |    |   |    |    |        |     |     |     |    |     |    |    |   |    |    |           |             |  |      |     |     |     |     |     |     |     |     |     |
|-----------------|------------|-------------|-----|----|----|----|----|---|----|----|--------|-----|-----|-----|----|-----|----|----|---|----|----|-----------|-------------|--|------|-----|-----|-----|-----|-----|-----|-----|-----|-----|
| Size DA         | Model      | Output [kW] | A   | P1 | P2 | G1 | G2 | F | H1 | H2 | L1 (*) | L6  | BN1 | BN2 | BM | BY1 | BW | DM | I | D1 | E1 | QDC Model | Weight [kg] |  |      |     |     |     |     |     |     |     |     |     |
| 100             | 100DML55.5 | 5.5         | 628 |    |    |    |    |   |    |    | 310    | 31  |     |     |    |     |    |    |   |    |    |           |             |  |      |     |     |     |     |     |     |     |     |     |
|                 | 100DML57.5 | 7.5         |     |    |    |    |    |   |    |    | 329    | 15  |     |     |    |     |    |    |   |    |    |           |             |  | 800  |     |     |     |     |     |     |     |     |     |
|                 | 100DML511  | 11          | 721 |    |    |    |    |   |    |    | 210    | 370 |     |     |    |     |    |    |   |    |    |           |             |  | 1000 |     |     |     |     |     |     |     |     |     |
|                 | 100DML515  | 15          |     |    |    |    |    |   |    |    | 765    | 105 |     |     |    |     |    |    |   |    |    |           |             |  |      | 105 | 185 | 240 | 265 | 342 | 12  | 700 | 19  | 175 |
|                 | 100DML522  | 22          | 342 |    |    |    |    |   |    |    |        |     |     |     |    |     |    |    |   |    |    |           |             |  | 12   |     |     |     |     | 100 | 40  |     |     |     |
| 150             | 150DML55.5 | 5.5         | 628 |    |    |    |    |   |    |    | 310    | 31  |     |     |    |     |    |    |   |    |    |           |             |  |      |     |     |     |     |     |     |     |     |     |
|                 | 150DML57.5 | 7.5         |     |    |    |    |    |   |    |    | 329    | 15  |     |     |    |     |    |    |   |    |    |           |             |  | 800  |     |     |     |     |     |     |     |     |     |
|                 | 150DML511  | 11          | 721 |    |    |    |    |   |    |    | 235    | 400 |     |     |    |     |    |    |   |    |    |           |             |  | 1000 |     |     |     |     |     |     |     |     |     |
|                 | 150DML515  | 15          |     |    |    |    |    |   |    |    |        |     |     |     |    |     |    |    |   |    |    |           |             |  |      | 765 | 105 | 105 | 185 | 240 | 265 | 342 | 12  | 700 |
|                 | 150DML522  | 22          | 342 |    |    |    |    |   |    |    | 12     | 100 |     |     |    |     |    |    |   |    |    |           |             |  | 40   |     |     |     |     |     |     | 220 | 180 |     |

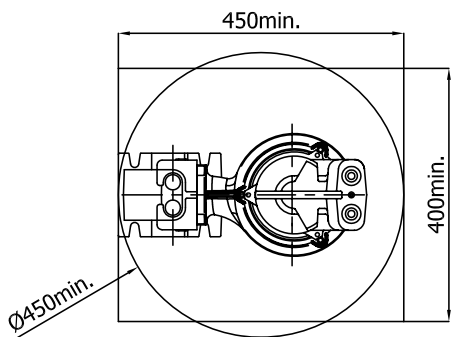
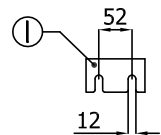
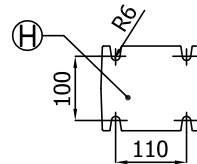
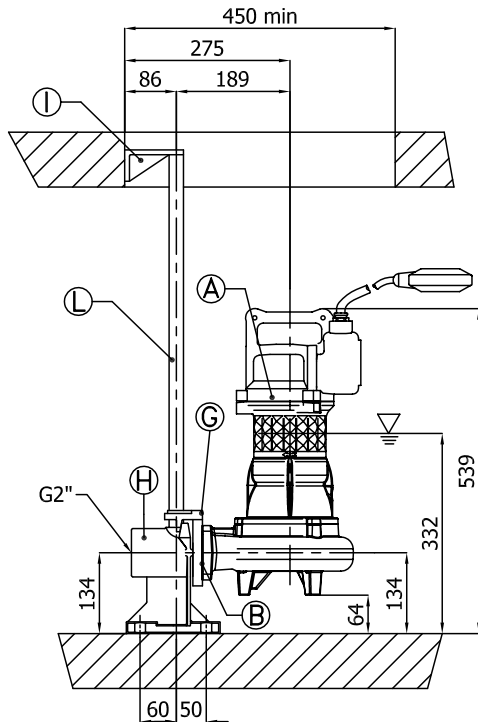
(\*) - L.V.L (Low Water Level)  
 - Operation is limited to 10 minutes at L.W.L.  
 - Operation is limited to 30 minutes with water level below top of motor

50DMLF/50DMLF with QDC (1.4 kW)



| Size DA | Model          | Output [kW] | Weight [kgf] |
|---------|----------------|-------------|--------------|
| 50      | 50DMLF51.4M2BG | 1,4         | 31           |

 LIVELLO MINIMO DI  
 SOMMERGIBILITA'  
 MINIMUM SUBMERSIBLE LEVEL

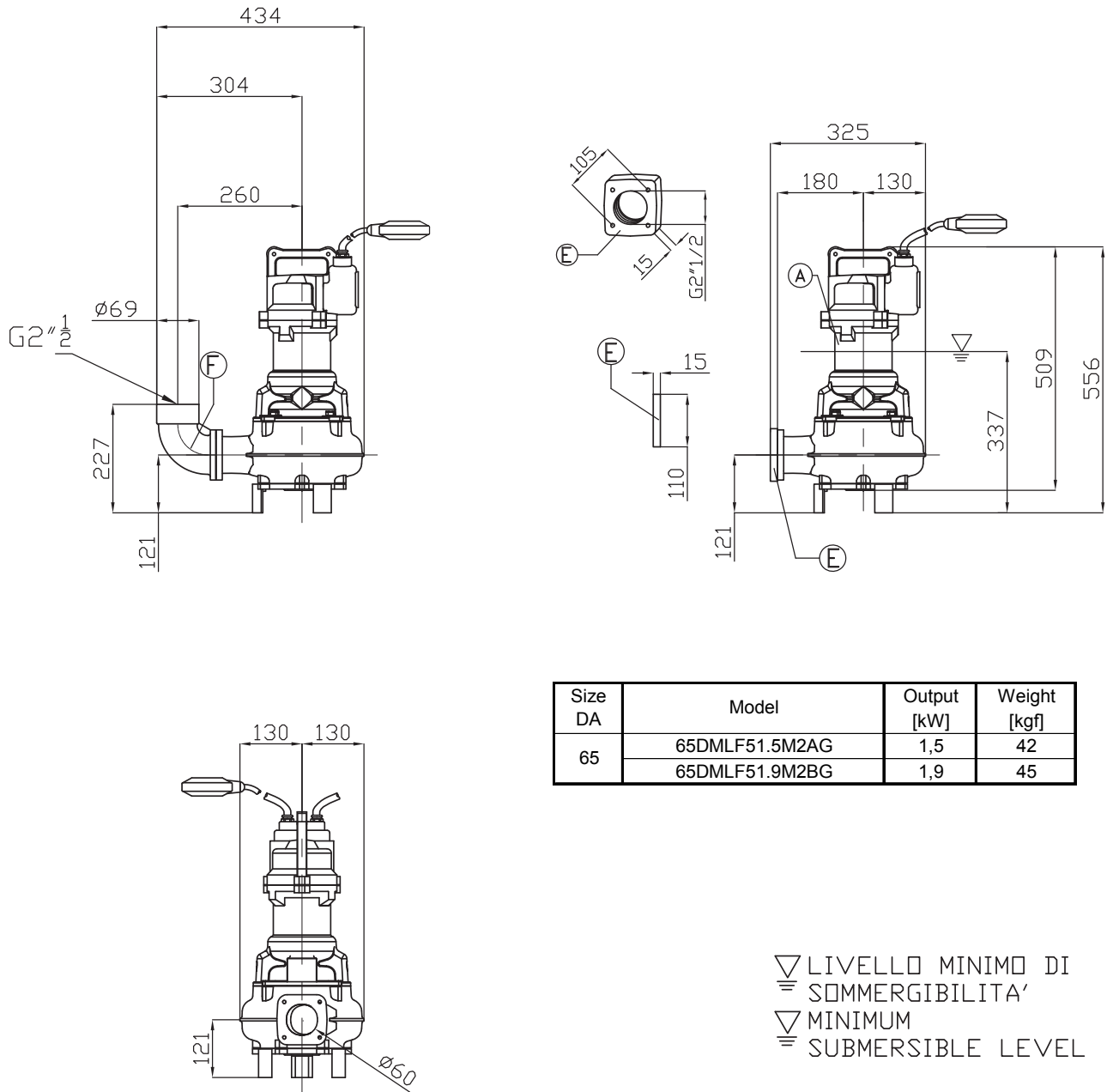


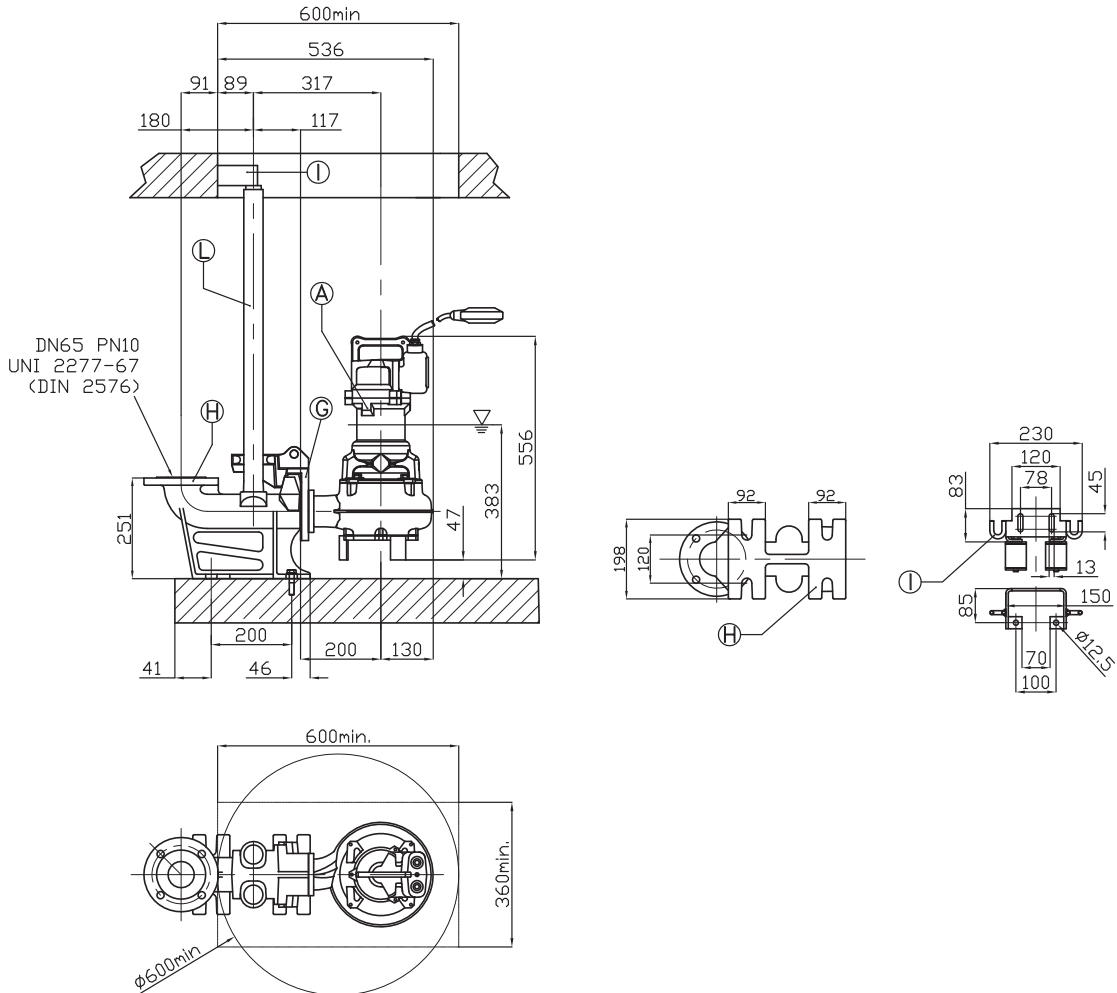
▽ LIVELLO MINIMO DI  
SOMMERSIBILITA'  
▽ MINIMUM  
▽ SUBMERSIBLE LEVEL

| POSITION | DESCRIPTION                            | MATERIAL         | WEIGHT [kgf] |
|----------|----------------------------------------|------------------|--------------|
| A        | SUBMERSIBLE PUMP                       | -                | -            |
| B        | RUBBER JOINT DN50                      | NEOPRENE         | -            |
| E        | THREADED FLANGE 2"                     | G250 CAST-IRON   | 1            |
| F        | THREADED ELBOW 90° 2"                  | G250 CAST-IRON   | 3            |
| G        | DOUBLE GUIDE RAIL COUPLING FLANGE DN50 | G250 CAST IRON   | 1.5          |
| H        | DOUBLE GUIDE CUOPLING FEET DN50        | G250 CAST-IRON   | 6            |
| I        | DOUBLE GUIDE RAIL UPPER SUPPORT 3/4    | G250 CAST-IRON   | 1.1          |
| L        | GUIDE RAIL 3/4"                        | GALVANIZED STEEL | -            |



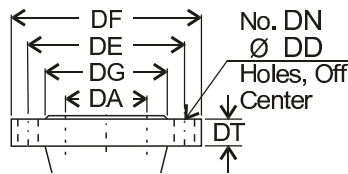
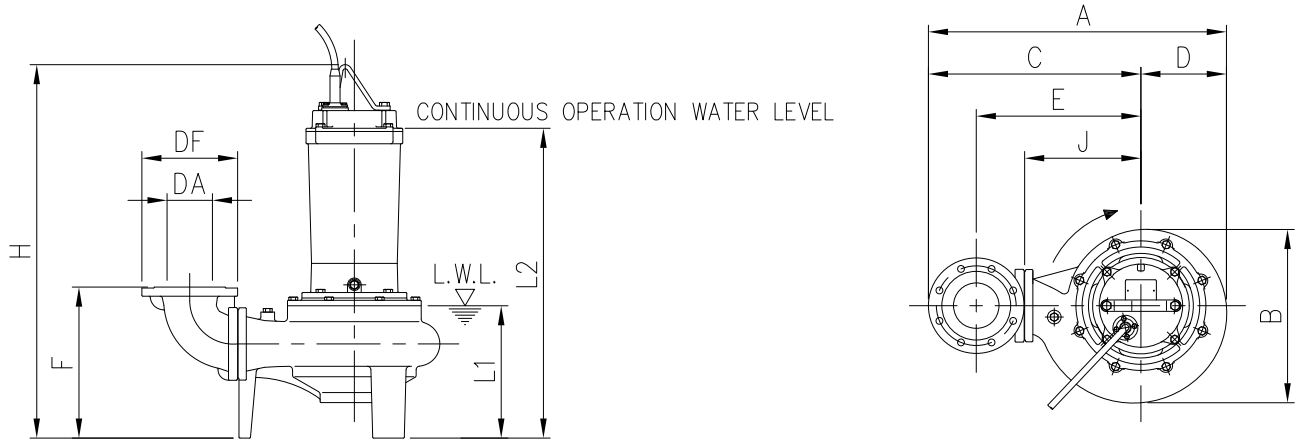
65DMLF/65DMLF with QDC (1.5÷1.9 kW)





| POSITION | DESCRIPTION                            | MATERIAL         | WEIGHT [kgf] |
|----------|----------------------------------------|------------------|--------------|
| A        | SUBMERSIBLE PUMP                       | -                | -            |
| B        | RUBBER JOINT DN65                      | NEOPRENE         | -            |
| E        | THREADED FLANGE 2" 1/2                 | G 250 CAST-IRON  | 1            |
| F        | THREADED ELBOW 90° 2" 1/2              | G 250 CAST-IRON  | 3            |
| G        | DOUBLE GUIDE RAIL COUPLING FLANGE DN65 | G250 CAST IRON   | 4            |
| H        | DOUBLE GUIDE CUOPLING FEET DN65        | G 250 CAST-IRON  | 19           |
| I        | DOUBLE GUIDE RAIL UPPER SUPPORT 2"     | GALVANIZED STEEL | 1.9          |
| L        | GUIDE RAIL 2"                          | GALVANIZED STEEL | -            |

**DMLV**

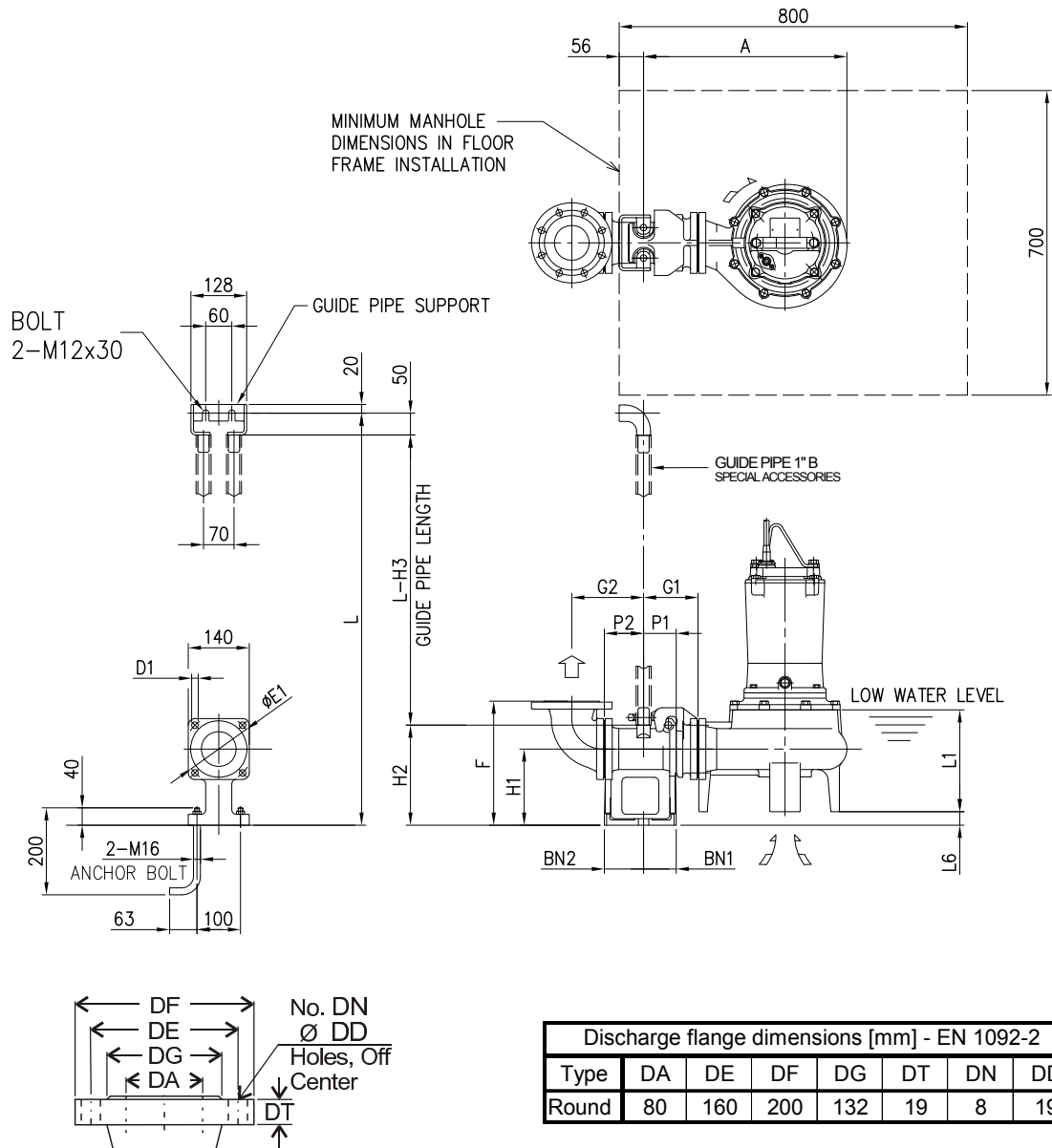


| Discharge flange dimensions [mm] - EN 1092-2 |     |     |     |     |    |    |    |
|----------------------------------------------|-----|-----|-----|-----|----|----|----|
| Type                                         | DA  | DE  | DF  | DG  | DT | DN | DD |
| Round                                        | 80  | 160 | 200 | 132 | 19 | 8  | 19 |
|                                              | 100 | 180 | 220 | 156 | 21 |    |    |

| Dimensions [mm] |             |             |     |     |     |     |     |     |     |     |        |     |        |             |     |     |     |      |     |     |     |
|-----------------|-------------|-------------|-----|-----|-----|-----|-----|-----|-----|-----|--------|-----|--------|-------------|-----|-----|-----|------|-----|-----|-----|
| Size DA         | Model       | Output [kW] | A   | B   | C   | D   | E   | F   | H   | J   | L1 (*) | L2  | CL [m] | Weight [kg] |     |     |     |      |     |     |     |
| 80              | 80DMLV52.2  | 2.2         | 518 | 285 | 375 | 143 | 275 | 254 | 660 | 200 | 200    | 560 | 10     | 70          |     |     |     |      |     |     |     |
|                 | 80DMLV53.7  | 3.7         |     |     |     |     |     |     |     |     |        | 620 |        | 80          |     |     |     |      |     |     |     |
| 100             | 100DMLV55.5 | 5.5         | 584 | 308 | 430 | 154 | 320 | 305 | 860 | 215 | 250    | 760 | 10     | 105         |     |     |     |      |     |     |     |
|                 | 100DMLV57.5 | 7.5         |     |     |     |     |     |     |     |     |        | 810 |        | 120         |     |     |     |      |     |     |     |
|                 | 100DMLV511  | 11          | 641 | 352 | 465 | 176 | 355 |     | 970 | 250 |        | 810 |        | 150         |     |     |     |      |     |     |     |
|                 | 100DMLV515  | 15          |     |     |     |     |     |     |     |     |        | 728 |        | 426         | 515 | 213 | 405 | 1045 | 300 | 865 | 180 |
|                 | 100DMLV522  | 22          |     |     |     |     |     |     |     |     |        |     |        |             |     |     |     |      |     | 865 | 235 |

- (\*)
- L.W.L (Low Water Level)
  - Operation is limited to 10 minutes at L.W.L.
  - Operation is limited to 30 minutes with water level below top of motor

### 80DMLV with QDC

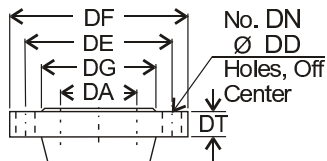
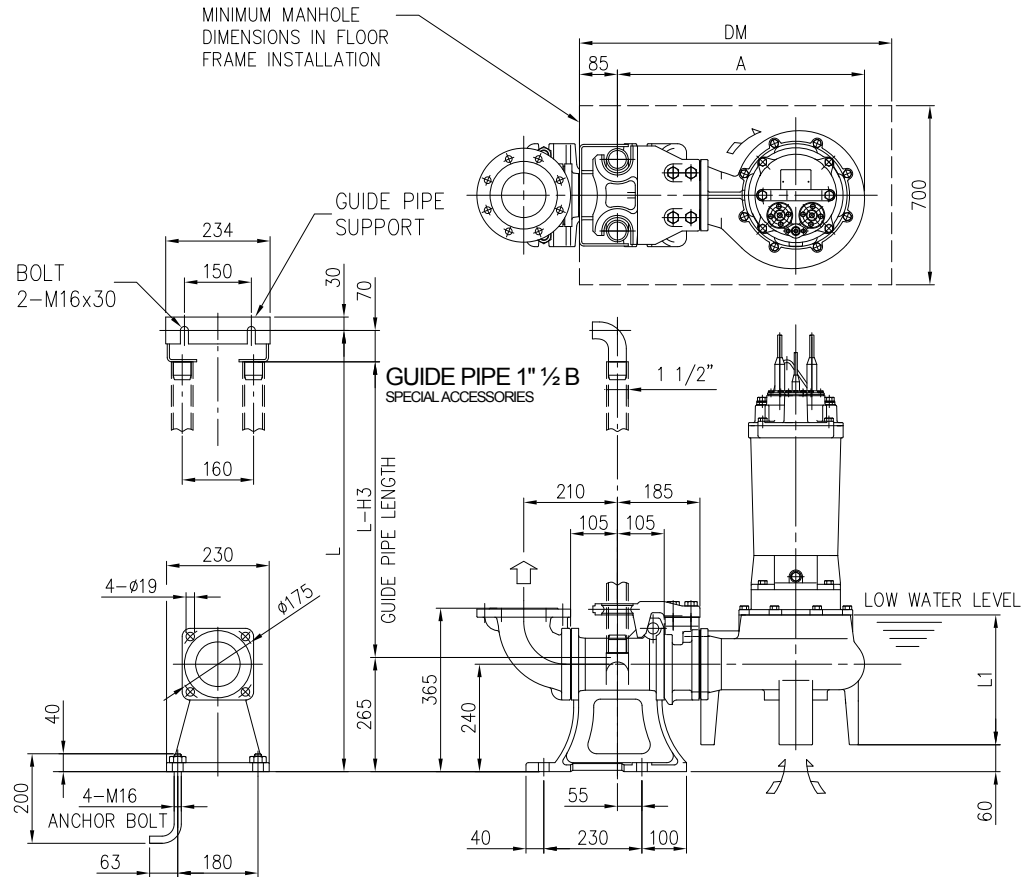


| Discharge flange dimensions [mm] - EN 1092-2 |    |     |     |     |    |    |    |
|----------------------------------------------|----|-----|-----|-----|----|----|----|
| Type                                         | DA | DE  | DF  | DG  | DT | DN | DD |
| Round                                        | 80 | 160 | 200 | 132 | 19 | 8  | 19 |

| Dimensions [mm] |              |             |     |    |    |     |     |     |     |     |     |        |    |     |     |    |     |       |             |
|-----------------|--------------|-------------|-----|----|----|-----|-----|-----|-----|-----|-----|--------|----|-----|-----|----|-----|-------|-------------|
| Size DA         | Model        | Output [kW] | A   | P1 | P2 | G1  | G2  | F   | H1  | H2  | H3  | L1 (*) | L6 | BN1 | BN2 | D1 | E1  | QDC   |             |
|                 |              |             |     |    |    |     |     |     |     |     |     |        |    |     |     |    |     | Model | Weight [kg] |
| 80              | 80 DMLV 52.2 | 2.2         | 468 | 75 | 90 | 125 | 165 | 285 | 175 | 230 | 280 | 200    | 31 | 75  | 90  | 15 | 155 | LM80  | 17          |
|                 | 80 DMLV 53.7 | 3.7         |     |    |    |     |     |     |     |     |     |        |    |     |     |    |     |       |             |

- L.W.L (Low Water Level)
- (\*) - Operation is limited to 10 minutes at L.W.L.
- Operation is limited to 30 minutes with water level below top of motor

100DMLV with QDC

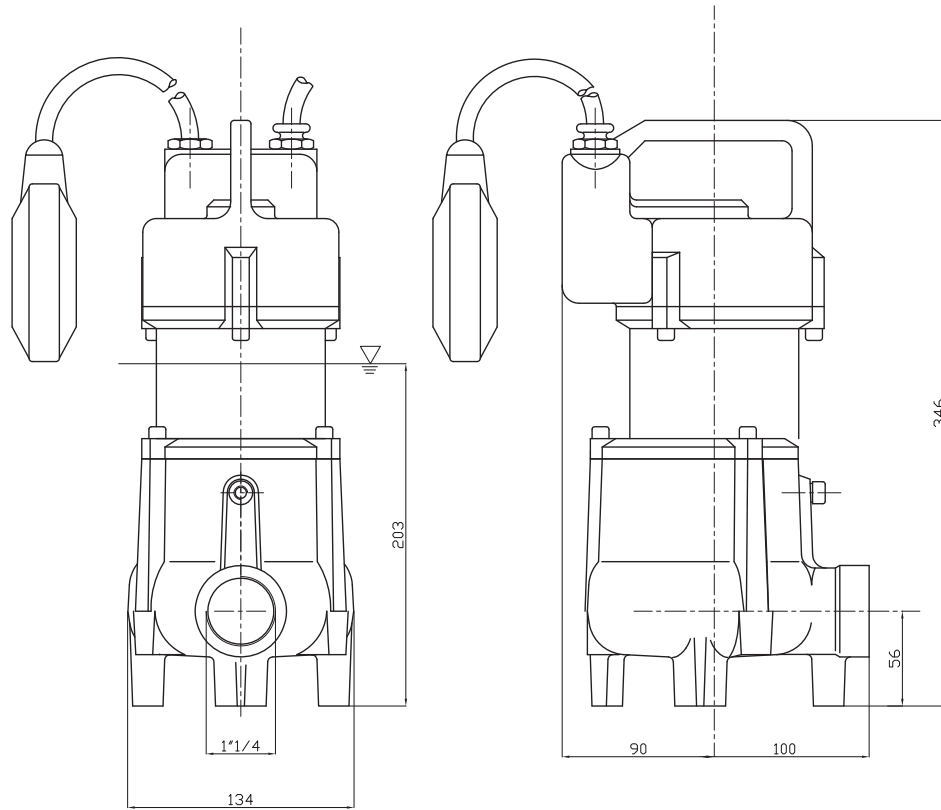


| Discharge flange dimensions [mm] - EN 1092-2 |     |     |     |     |    |    |    |
|----------------------------------------------|-----|-----|-----|-----|----|----|----|
| Type                                         | DA  | DE  | DF  | DG  | DT | DN | DD |
| Round                                        | 100 | 180 | 220 | 156 | 21 | 8  | 19 |

| Dimensions [mm] |            |                |     |     |           |       |                |
|-----------------|------------|----------------|-----|-----|-----------|-------|----------------|
| Size<br>DA      | Model      | Output<br>[kW] | A   | H3  | L1<br>(*) | QDC   |                |
|                 |            |                |     |     |           | Model | Weight<br>[kg] |
| 100             | 100DML55.5 | 5.5            | 554 | 335 | 250       | LL100 | 46             |
|                 | 100DML57.5 | 7.5            | 611 |     |           |       |                |
|                 | 100DML511  | 11             | 698 |     | 300       |       |                |
|                 | 100DML515  | 15             |     |     |           |       |                |
|                 | 100DML522  | 22             |     |     |           |       |                |

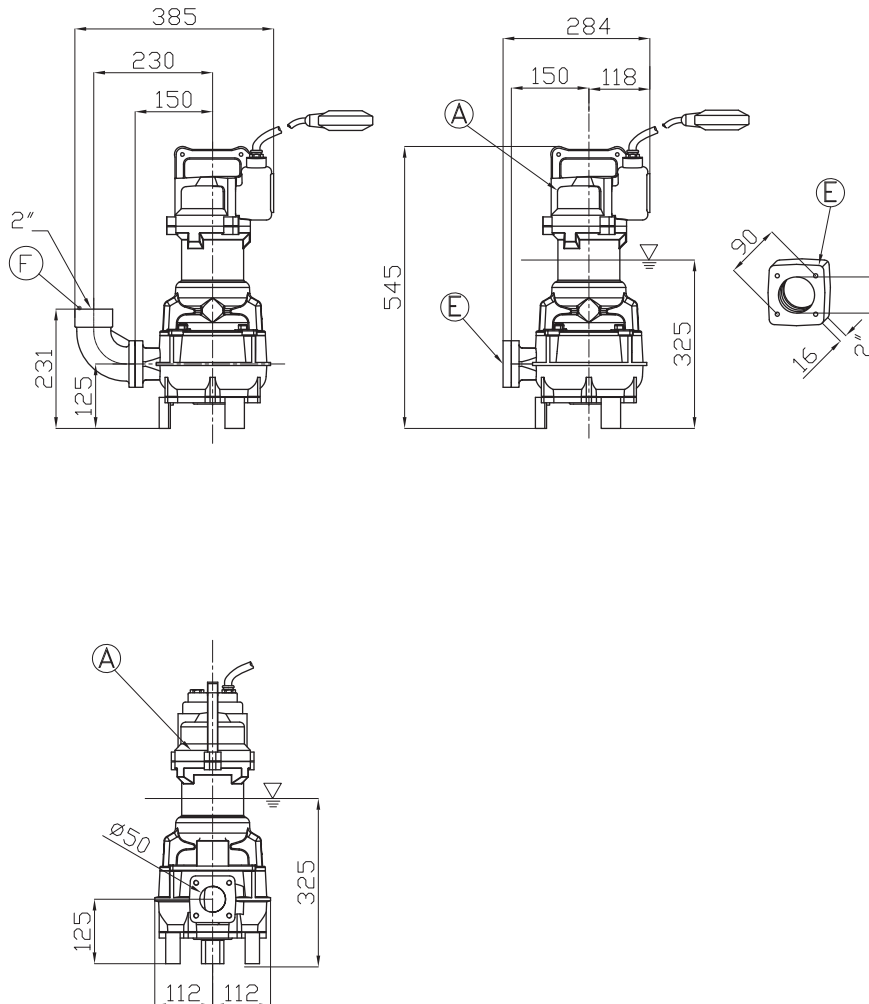
- (\*) - L.W.L (Low Water Level)
- Operation is limited to 10 minutes at L.W.L.
- Operation is limited to 30 minutes with water level below top of motor

**40DMLVF (0.5 kW)**



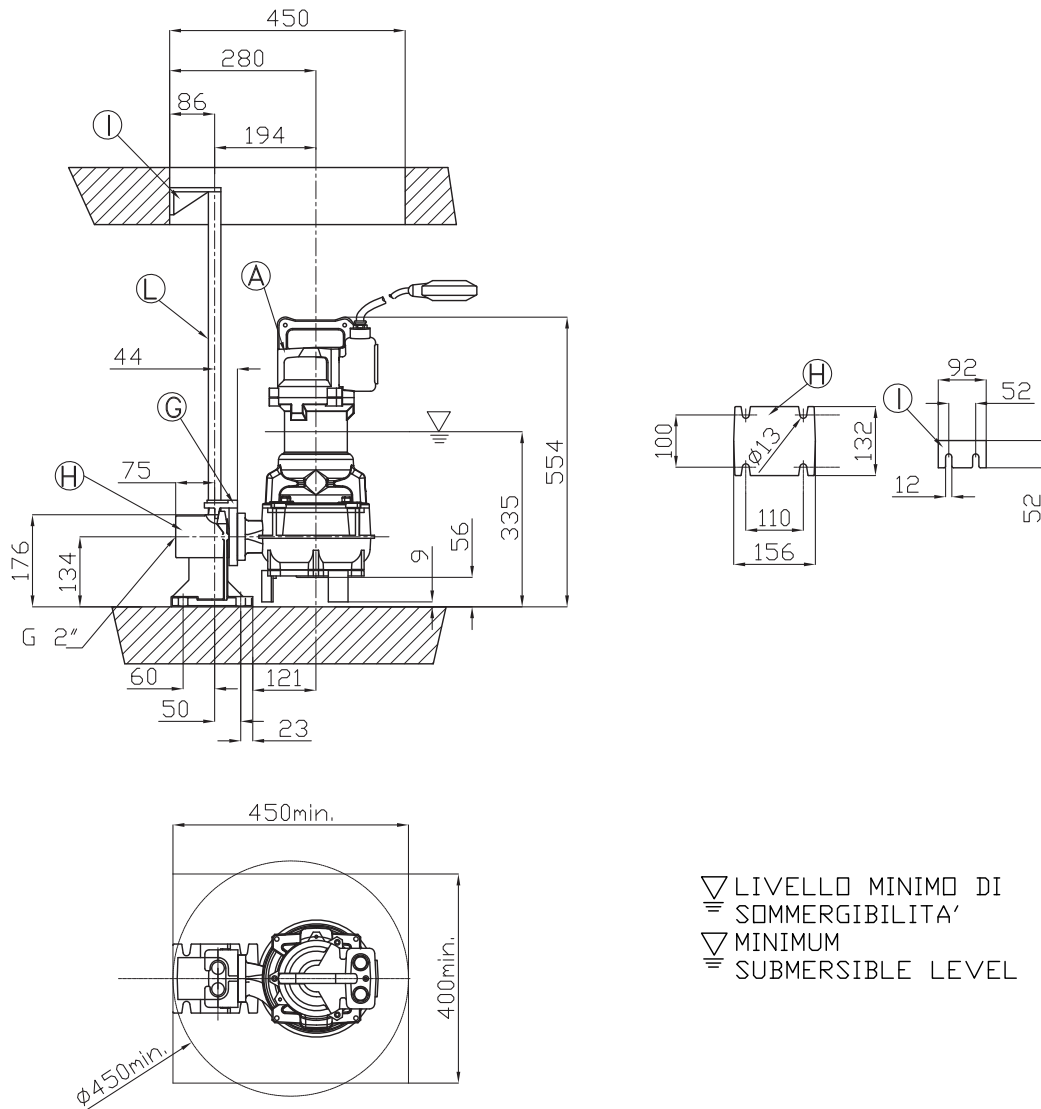
| Size<br>DA | Model           | Output<br>[kW] | Weight<br>[kgf] |
|------------|-----------------|----------------|-----------------|
| 1"1/4      | 40DMLVF50.5M2AG | 0,5            | 14              |

**50DMLVF/50DMLVF with QDC (1.5 ÷ 1.9 kW)**



| Size DA | Model           | Output [kW] | Weight [kgf] |
|---------|-----------------|-------------|--------------|
| 50      | 50DMLVF51.5M2CG | 1.5         | 43           |
|         | 50DMLVF51.5M2BG | 1.5         | 43           |
|         | 50DMLVF51.9M2AG | 1,9         | 43           |

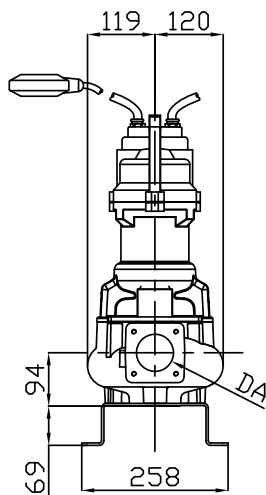
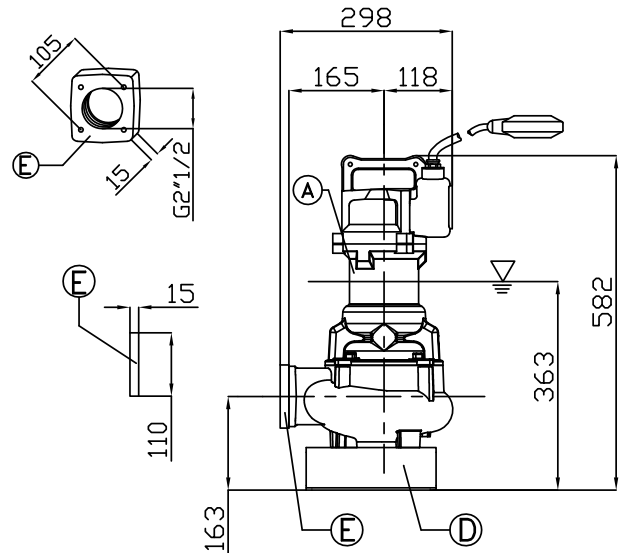
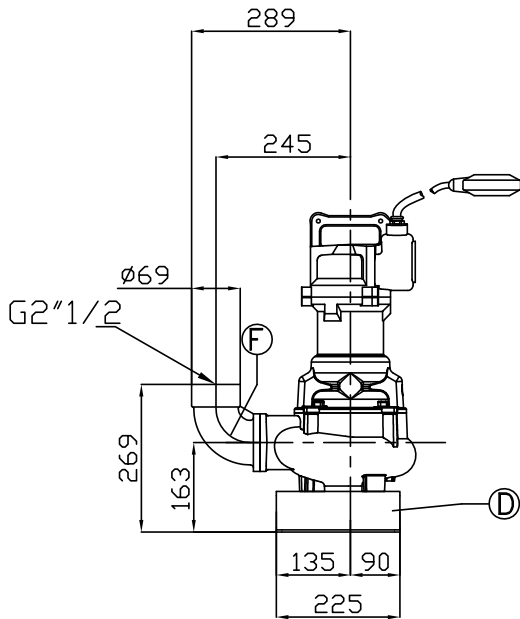
▽ LIVELLO MINIMO DI  
 ≡ SOMMERSIBILITA'  
 ▽ MINIMUM  
 ≡ SUBMERSIBLE LEVEL



| POSITION | DESCRIPTION                            | MATERIAL         | WEIGHT [kg] |
|----------|----------------------------------------|------------------|-------------|
| A        | SUBMERSIBLE PUMP                       | -                | -           |
| B        | RUBBER JOINT DN50                      | NEOPRENE         | -           |
| E        | THREADED FLANGE 2"                     | G250 CAST-IRON   | 1           |
| F        | THREADED ELBOW 90° 2"                  | G250 CAST-IRON   | 3           |
| G        | DOUBLE GUIDE RAIL COUPLING FLANGE DN50 | G250 CAST IRON   | 1.5         |
| H        | DOUBLE GUIDE CUOPLING FEET DN50        | G250 CAST-IRON   | 6           |
| I        | DOUBLE GUIDE RAIL UPPER SUPPORT 3/4    | G250 CAST-IRON   | 1.1         |
| L        | GUIDE RAIL 3/4                         | GALVANIZED STEEL | -           |



65DMLVF/65DMLVF with QDC (1.5 kW)



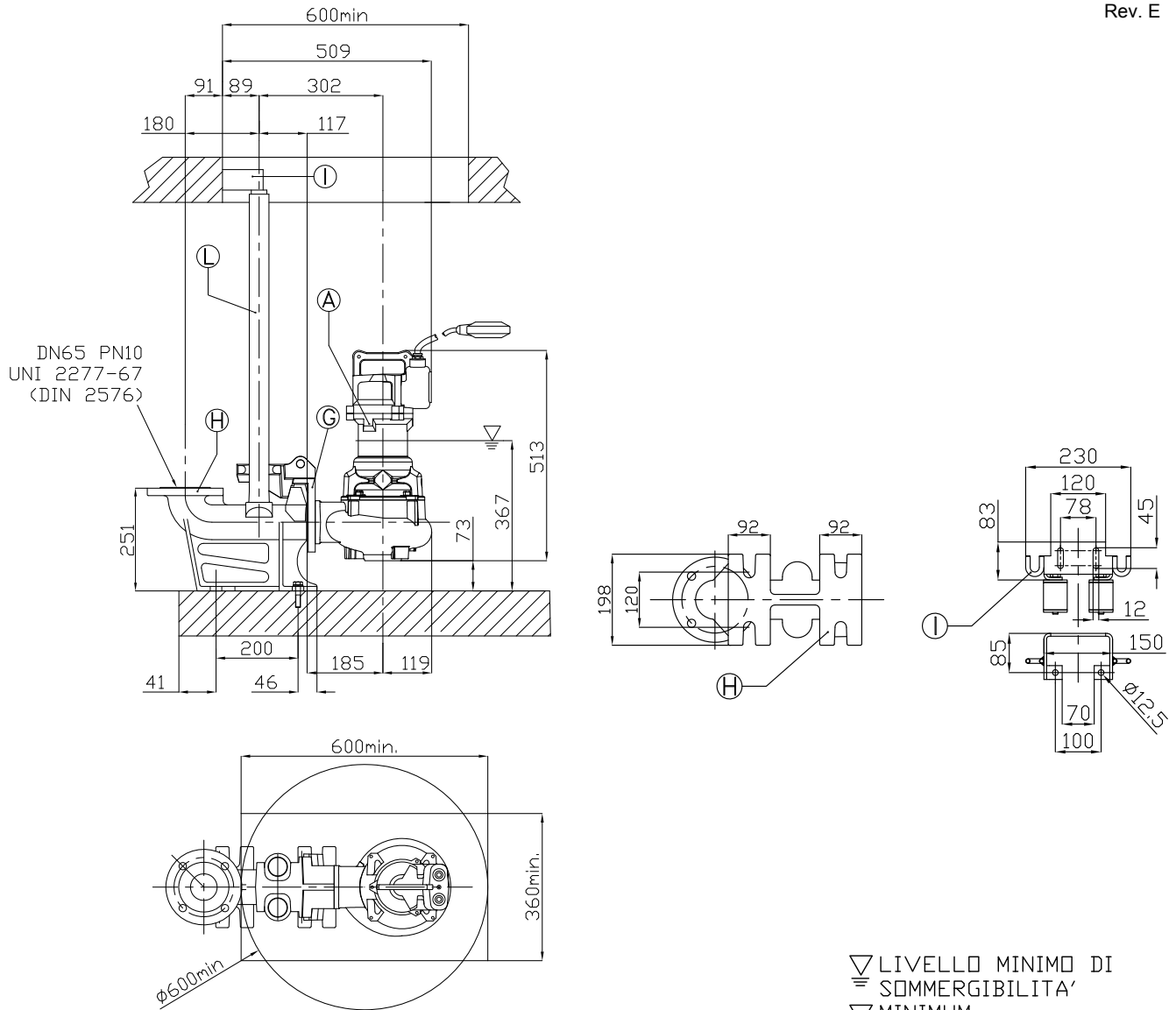
| Size DA | Model           | Output [kW] | Weight [kgf] |
|---------|-----------------|-------------|--------------|
| 65      | 65DMLVF51.5M2CG | 1.5         | 44           |

▽ LIVELLO MINIMO DI  
 ≡ SOMMERSIBILITA'  
 ▽ MINIMUM  
 ≡ SUBMERSIBLE LEVEL

DIMENSIONS AND WEIGHT

50 Hz

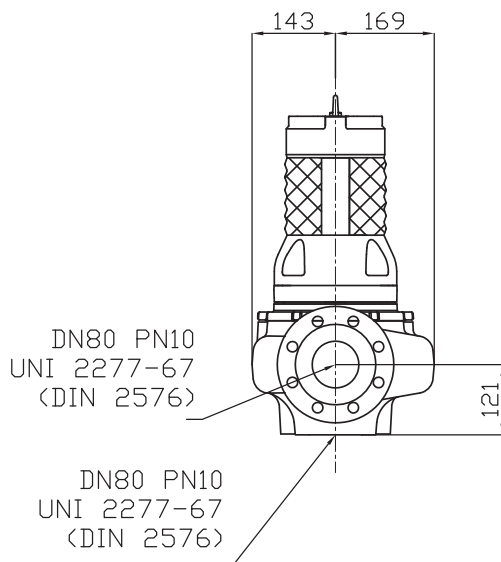
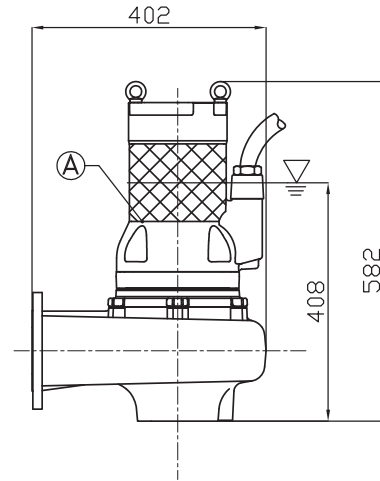
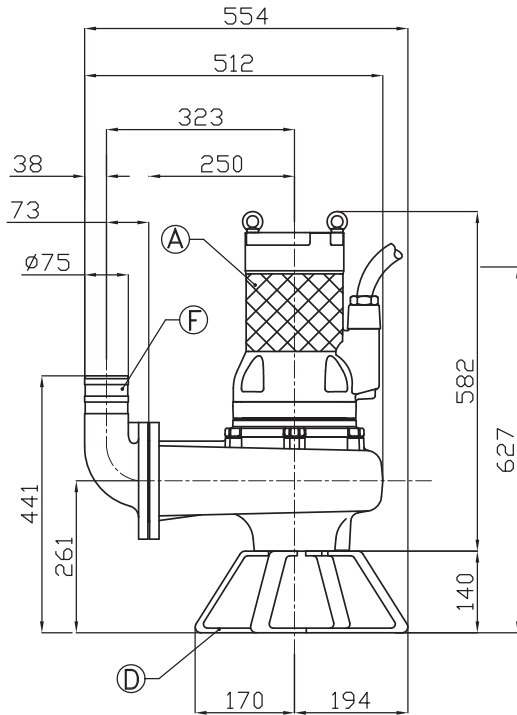
Rev. E



▽ LIVELLO MINIMO DI  
 ≡ SOMMERSIBILITA'  
 ▽ MINIMUM  
 ≡ SUBMERSIBLE LEVEL

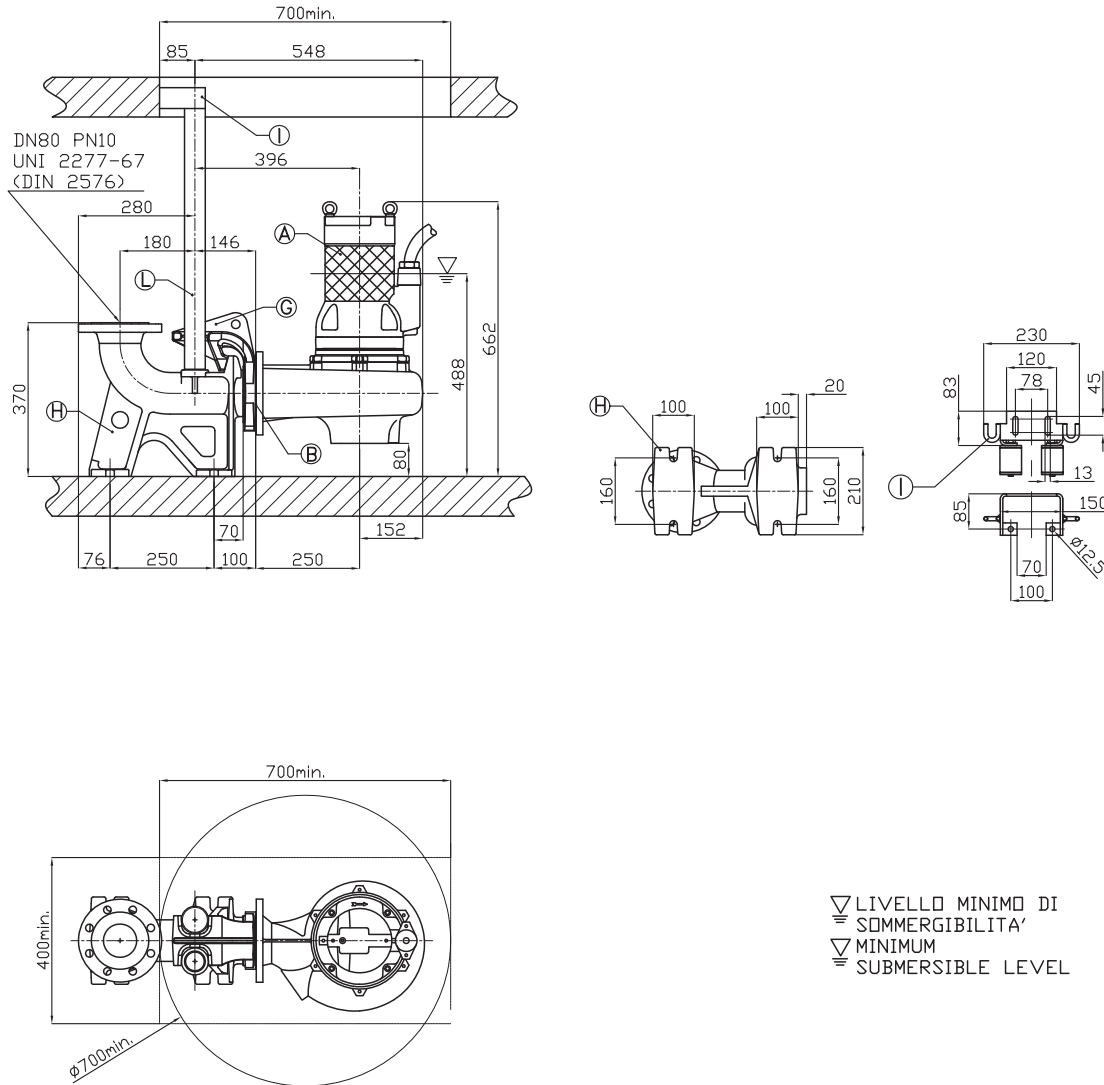
| POSITION | DESCRIPTION                            | MATERIAL         | WEIGHT [kgf] |
|----------|----------------------------------------|------------------|--------------|
| A        | SUBMERSIBLE PUMP                       | -                | -            |
| B        | RUBBER JOINT DN65                      | NEOPRENE         | -            |
| D        | X FOOT REST                            | S.STEEL AISI304  | 2.5          |
| E        | THREADED FLANGE 2"1/2                  | G250 CAST-IRON   | 1            |
| F        | THREADED ELBOW 90° 2"1/2               | G250 CAST-IRON   | 3            |
| G        | DOUBLE GUIDE RAIL COUPLING FLANGE DN65 | G250 CAST IRON   | 4            |
| H        | DOUBLE GUIDE CUOPLING FEET DN65        | G250 CAST-IRON   | 19           |
| I        | DOUBLE GUIDE RAIL UPPER SUPPORT 2"     | GALVANIZED STEEL | 1.9          |
| L        | GUIDE RAIL 2"                          | GALVANIZED STEEL | -            |

**80DMLVF/80DMLVF with QDC (4.9 kW)**



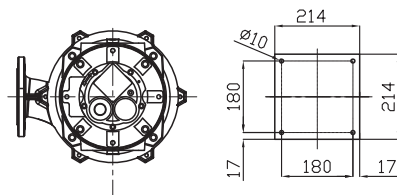
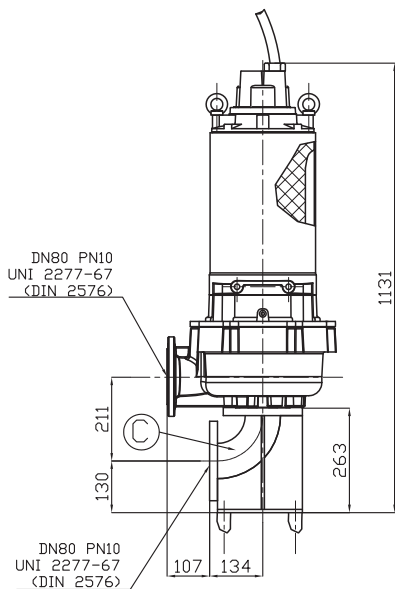
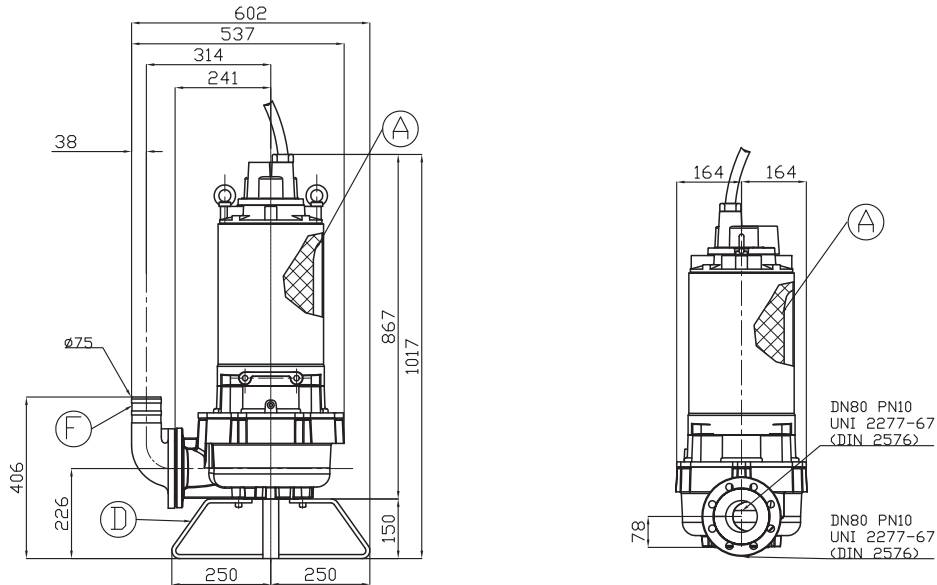
| Size<br>DA                           | Model           | Output<br>[kW] | Weight<br>[kgf] |
|--------------------------------------|-----------------|----------------|-----------------|
| DN 80 PN10 UNI<br>2277-67 (DIN 2576) | 80DMLVF54.9T4AG | 4.9            | 79              |

$\nabla$  LIVELLO MINIMO DI  
 $\equiv$  SOMMERSIBILITA'  
 $\nabla$  MINIMUM  
 $\equiv$  SUBMERSIBLE LEVEL

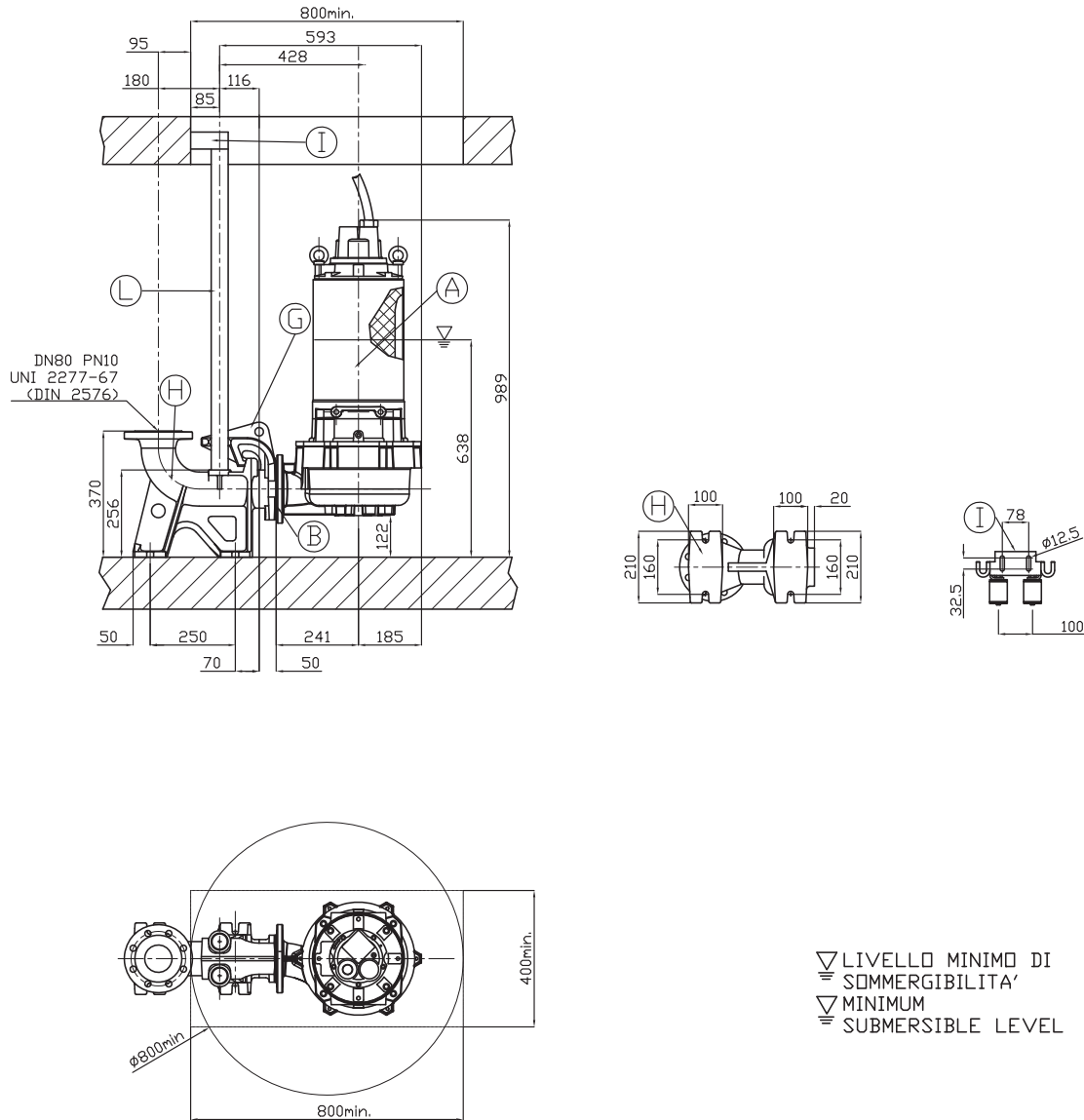


| POSITION | DESCRIPTION                            | MATERIAL         | WEIGHT [kgf] |
|----------|----------------------------------------|------------------|--------------|
| A        | SUBMERSIBLE PUMP                       | -                | -            |
| B        | RUBBER JOINT DN80                      | NEOPRENE         | -            |
| C        | SUCTION ELBOW 90°                      | GALVANIZED STEEL | 27           |
| D        | X FOOT REST                            | GALVANIZED STEEL | 3            |
| F        | DELIVERY ELBOW 90° DN80                | G250 CAST-IRON   | 6            |
| G        | DOUBLE GUIDE RAIL COUPLING FLANGE DN80 | G250 CAST IRON   | 10           |
| H        | DOUBLE GUIDE CUOPLING FEET DN80        | G250 CAST-IRON   | 33           |
| I        | DOUBLE GUIDE RAIL UPPER SUPPORT 2"     | GALVANIZED STEEL | 1.9          |
| L        | GUIDE RAIL 2"                          | GALVANIZED STEEL | -            |

80DMLVF/80DMLVF with QDC (16.6 kW)

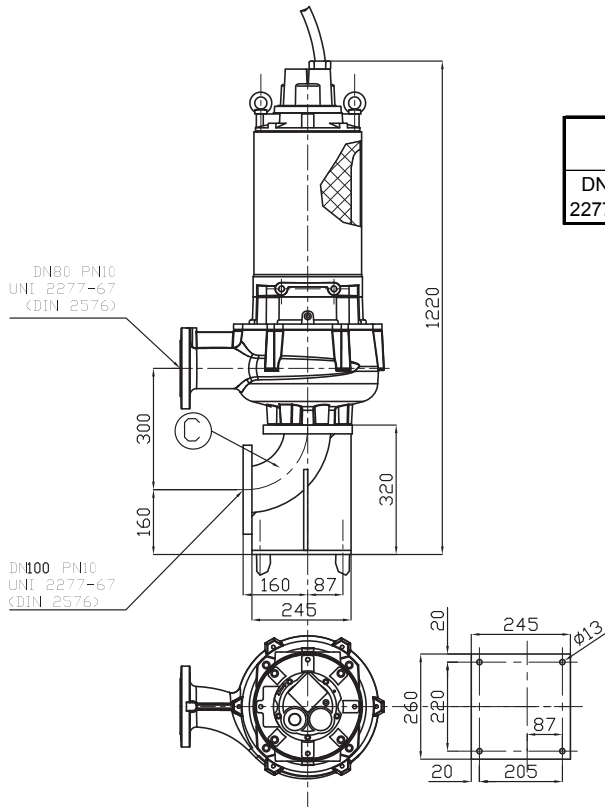
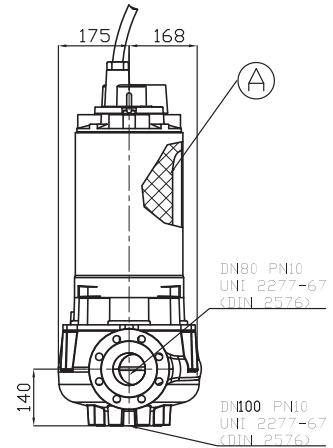
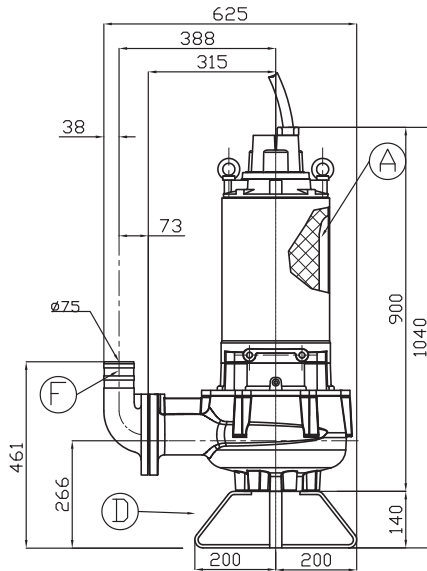


| Size<br>DA                        | Model            | Output | Weight |
|-----------------------------------|------------------|--------|--------|
|                                   |                  | [kW]   | [kgf]  |
| DN 80 PN10 UNI 2277-67 (DIN 2576) | 80DMLVF516.6T2BG | 16.6   | 191    |



| POSITION | DESCRIPTION                            | MATERIAL         | WEIGHT [kgf] |
|----------|----------------------------------------|------------------|--------------|
| A        | SUBMERSIBLE PUMP                       | -                | -            |
| B        | RUBBER JOINT DN80                      | NEOPRENE         | -            |
| C        | SUCTION ELBOW 90°                      | GALVANIZED STEEL | 7            |
| D        | X FOOT REST                            | GALVANIZED STEEL | 3            |
| F        | DELIVERY ELBOW 90° DN80                | G 250 CAST-IRON  | 6            |
| G        | DOUBLE GUIDE RAIL COUPLING FLANGE DN80 | G250 CAST IRON   | 10           |
| H        | DOUBLE GUIDE CUOPLING FEET DN80        | G 250 CAST-IRON  | 33           |
| I        | DOUBLE GUIDE RAIL UPPER SUPPORT 2"     | GALVANIZED STEEL | 1.9          |
| L        | GUIDE RAIL 2"                          | GALVANIZED STEEL | -            |

80DMLVF/80DMLVF with QDC (18.2 kW)

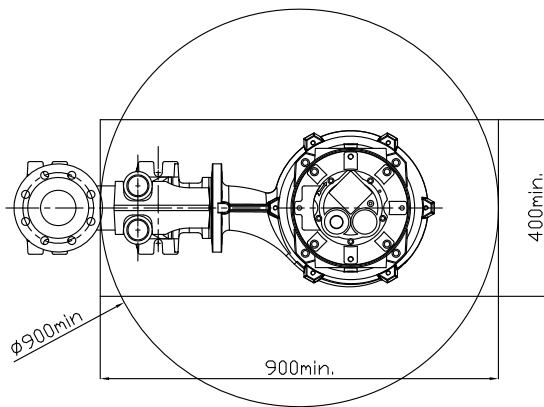
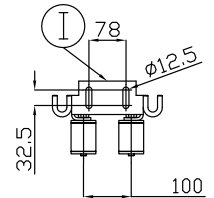
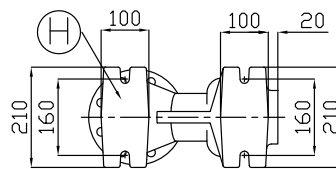
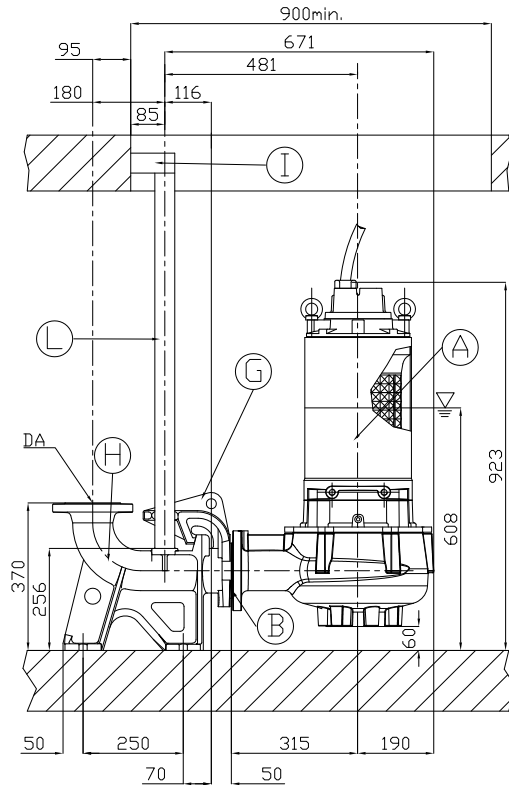


| Size<br>DA                        | Model            | Output<br>[kW] | Weight<br>[kgf] |
|-----------------------------------|------------------|----------------|-----------------|
| DN 80 PN10 UNI 2277-67 (DIN 2576) | 80DMLVF518.2T2DG | 18.2           | 192             |

**DIMENSIONS AND WEIGHT**

50 Hz

Rev. E

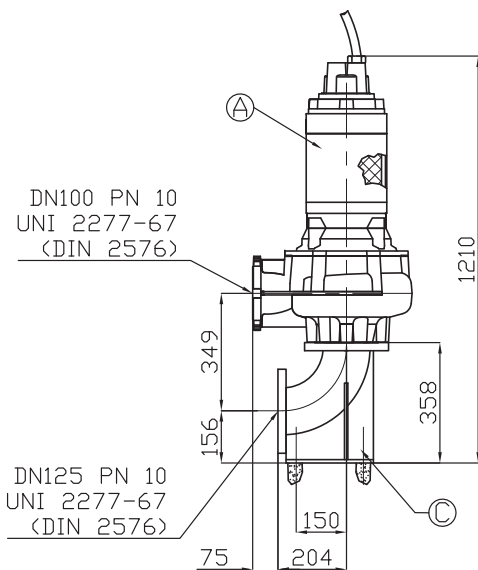
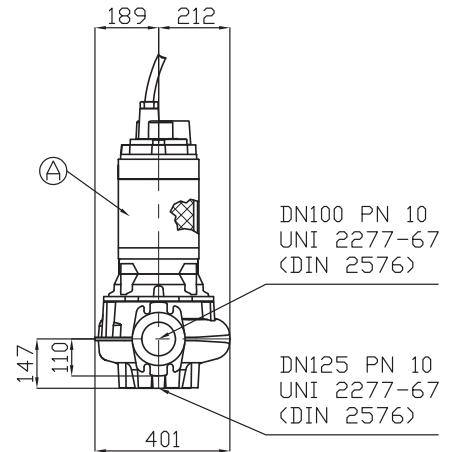
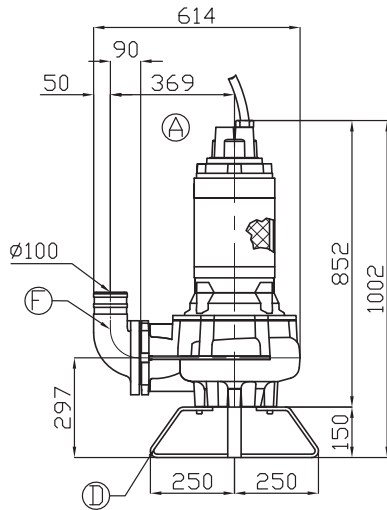


$\nabla$  LIVELLO MINIMO DI  
 SOMMERSIBILITA'  
 $\nabla$  MINIMUM  
 SUBMERSIBLE LEVEL

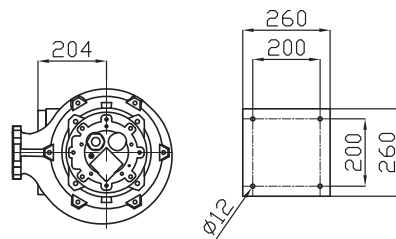
| POSITION | DESCRIPTION                            | MATERIAL         | WEIGHT [kgf] |
|----------|----------------------------------------|------------------|--------------|
| A        | SUBMERSIBLE PUMP                       | -                | -            |
| B        | RUBBER JOINT DN80                      | NEOPRENE         | -            |
| C        | SUCTION ELBOW 90°                      | GALVANIZED STEEL | 27           |
| D        | X FOOT REST                            | GALVANIZED STEEL | 5            |
| F        | DELIVERY ELBOW 90° DN80                | G250 CAST-IRON   | 6            |
| G        | DOUBLE GUIDE RAIL COUPLING FLANGE DN80 | G250 CAST IRON   | 10           |
| H        | DOUBLE GUIDE CUOPLING FEET DN80        | G250 CAST-IRON   | 33           |
| I        | DOUBLE GUIDE RAIL UPPER SUPPORT 2"     | GALVANIZED STEEL | 1.9          |
| L        | GUIDE RAIL 2"                          | GALVANIZED STEEL | -            |

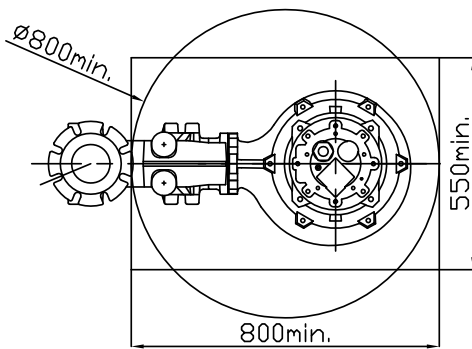
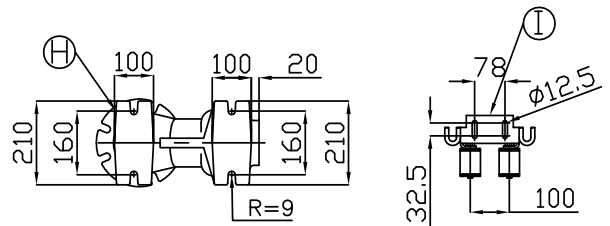
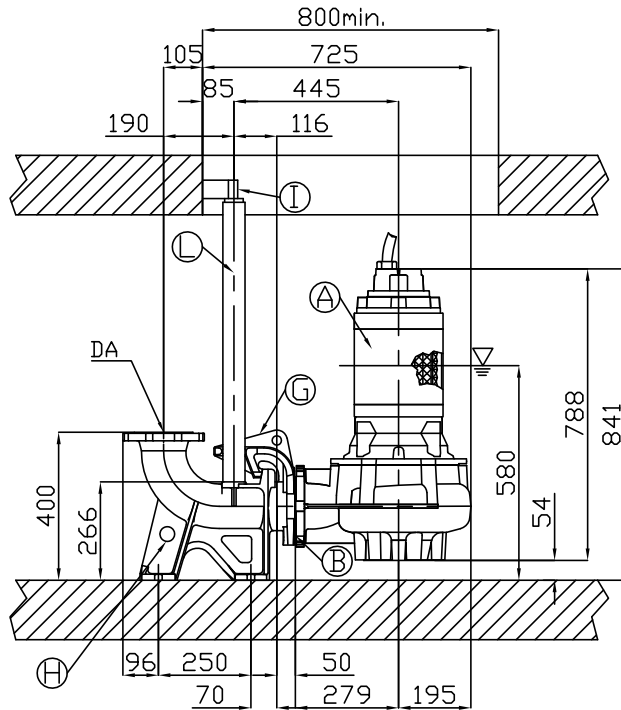


**100DMLVF/100DMLVF with QDC (5.2 kW)**



| Size DA                            | Model            | Output [kW] | Weight [kgf] |
|------------------------------------|------------------|-------------|--------------|
| DN 100 PN10 UNI 2277-67 (DIN 2576) | 100DMLVF55.2T6BG | 5.2         | 170          |

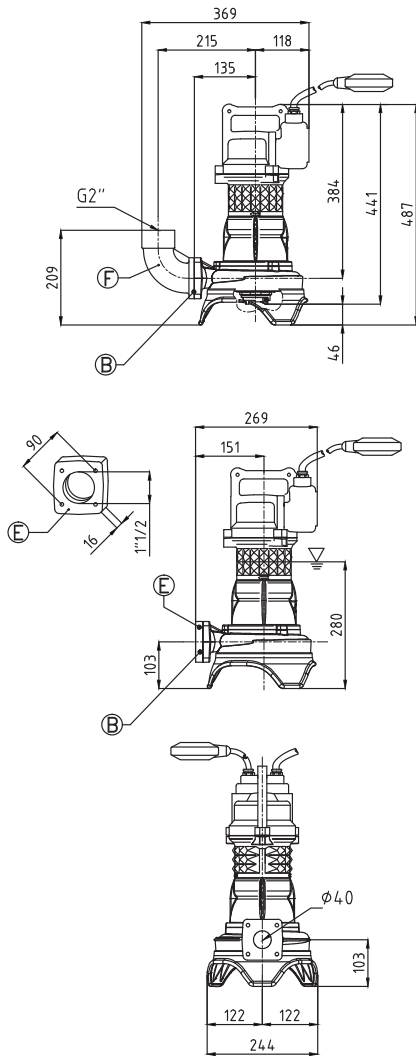




▽ LIVELLO MINIMO DI  
 ≡ SOMMERSIBILITA'  
 ▽ MINIMUM  
 ≡ SUBMERSIBLE LEVEL

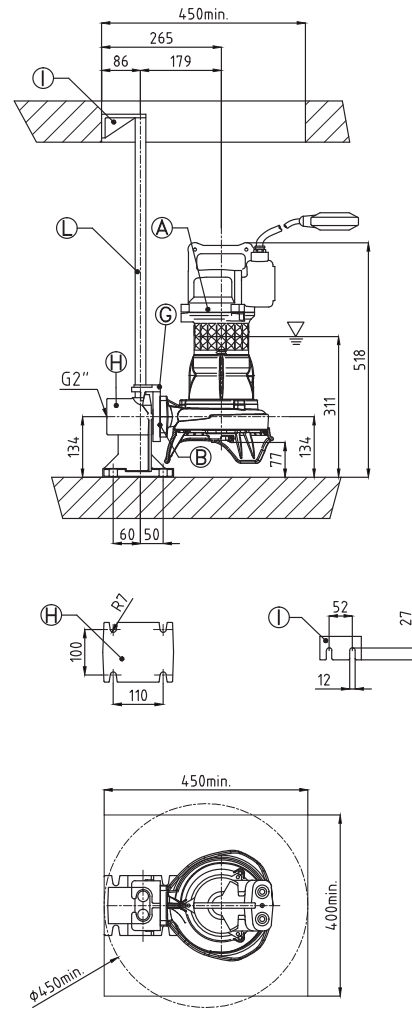
| POSITION | DESCRIPTION                             | MATERIAL         | WEIGHT [kgf] |
|----------|-----------------------------------------|------------------|--------------|
| A        | SUBMERSIBLE PUMP                        | -                | -            |
| B        | RUBBER JOINT DN100                      | NEOPRENE         | -            |
| C        | SUCTION ELBOW 90°                       | GALVANIZED STEEL | 27           |
| D        | X FOOT REST                             | GALVANIZED STEEL | 5            |
| F        | DELIVERY ELBOW 90° DN100                | G250 CAST-IRON   | 10           |
| G        | DOUBLE GUIDE RAIL COUPLING FLANGE DN100 | G250 CAST IRON   | 12           |
| H        | DOUBLE GUIDE CUOPLING FEET DN100        | G250 CAST-IRON   | 35           |
| I        | DOUBLE GUIDE RAIL UPPER SUPPORT 2"      | GALVANIZED STEEL | 1,9          |
| L        | GUIDE RAIL 2"                           | GALVANIZED STEEL | -            |

40DRS/40DRS with QDC (1.1 kW)



▽ MINIMUM SUBMERSIBLE LEVEL

P

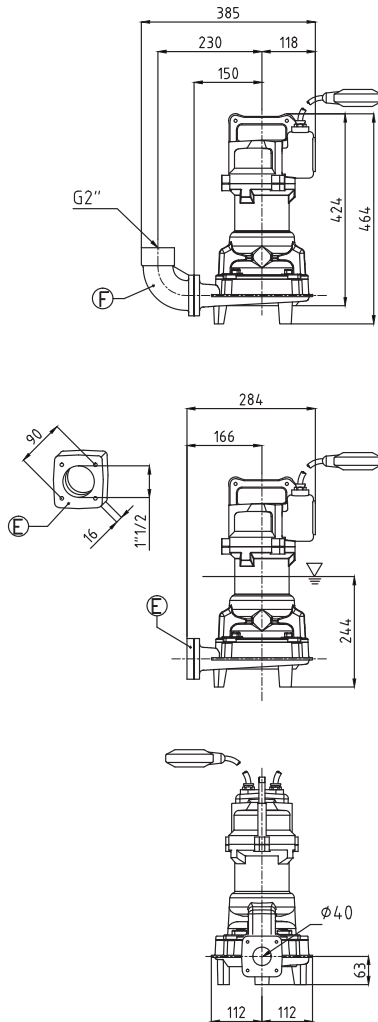


R

| Size DA | Model         | Output [kW] | Weight [kg] |
|---------|---------------|-------------|-------------|
| 40      | 40DRS51.1M2CG | 1.1         | 30          |
|         | 40DRS51.1M2BG | 1.1         | 30          |
|         | 40DRS51.1M2AG | 1.1         | 30          |

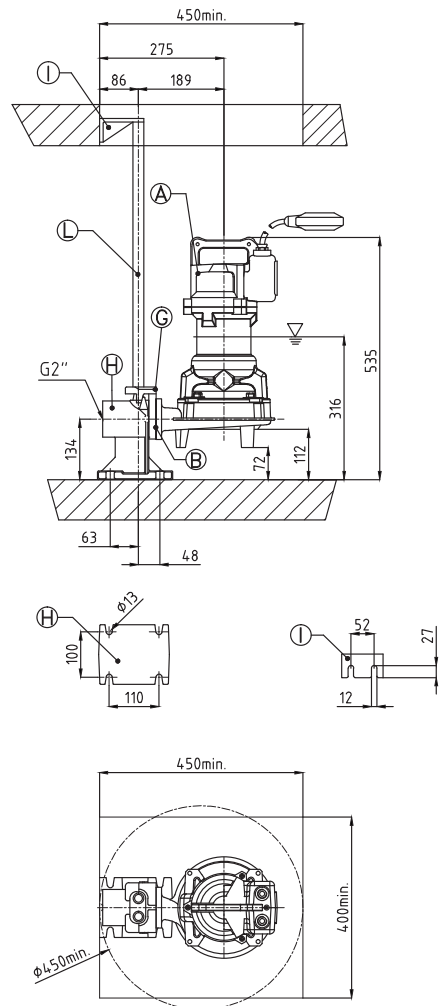
| Pos.    | Description                            | Material         | Weight Kg |
|---------|----------------------------------------|------------------|-----------|
| A       | Submersible Pump                       |                  | -         |
| B       | Rubber joint DN50                      | Neoprene         | -         |
| Type: P |                                        |                  |           |
| E       | Threaded flange 1"1/2                  | G250 Cast-Iron   | 1         |
| F       | Threaded elbow 90° 2"                  | G250 Cast-Iron   | 3         |
| Type: R |                                        |                  |           |
| G       | Double guide rail coupling flange DN50 | GS400 Cast-Iron  | 1.5       |
| H       | Double guide coupling feet DN50        | G250 Cast-Iron   | 6         |
| I       | Double guide rail upper support 3/4"   | G250 Cast-Iron   | 1.1       |
| L       | Guide rail 3/4"                        | Galvanized Steel | -         |

40DRS/40DRS with QDC (1.1 ÷ 1.9 kW)



▽ MINIMUM SUBMERSIBLE LEVEL

S

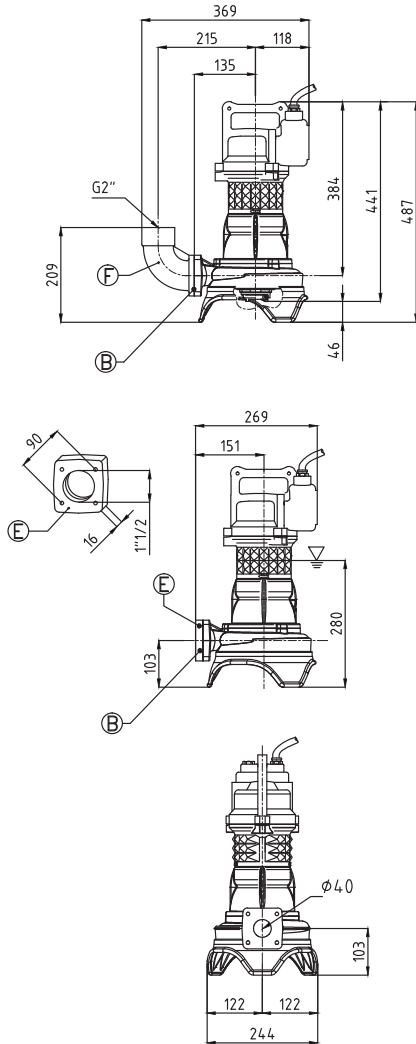


R

| Size DA | Model         | Output [kW] | Weight [kg] |
|---------|---------------|-------------|-------------|
| 40      | 40DRS51.2M2CG | 1.1         | 40          |
|         | 40DRS51.5M2BG | 1.5         | 40          |
|         | 40DRS51.9M2AG | 1.9         | 40          |

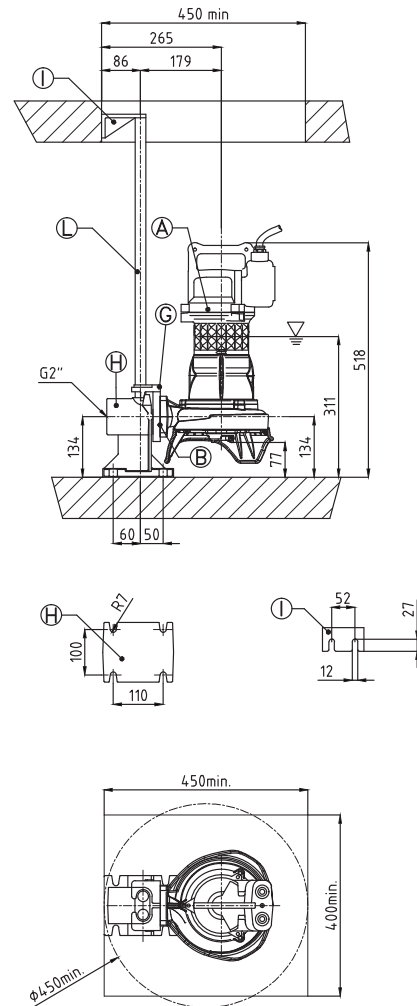
| Pos.    | Description                            | Material         | Weight Kg |
|---------|----------------------------------------|------------------|-----------|
| A       | Submersible Pump                       |                  | -         |
| B       | Rubber joint DN50                      | Neoprene         | -         |
| Type: S |                                        |                  |           |
| E       | Threaded flange 1 1/2"                 | G250 Cast-Iron   | 1         |
| F       | Threaded elbow 90° 2"                  | G250 Cast-Iron   | 3         |
| Type: R |                                        |                  |           |
| G       | Double guide rail coupling flange DN50 | GS400 Cast-Iron  | 1.5       |
| H       | Double guide coupling feet DN50        | G250 Cast-Iron   | 6         |
| I       | Double guide rail upper support 3/4"   | G250 Cast-Iron   | 1.1       |
| L       | Guide rail 3/4"                        | Galvanized Steel | -         |

**40DRS/40DRS with QDC (1.1 ÷ 1.4 kW)**



▽ MINIMUM SUBMERSIBLE LEVEL

**P**

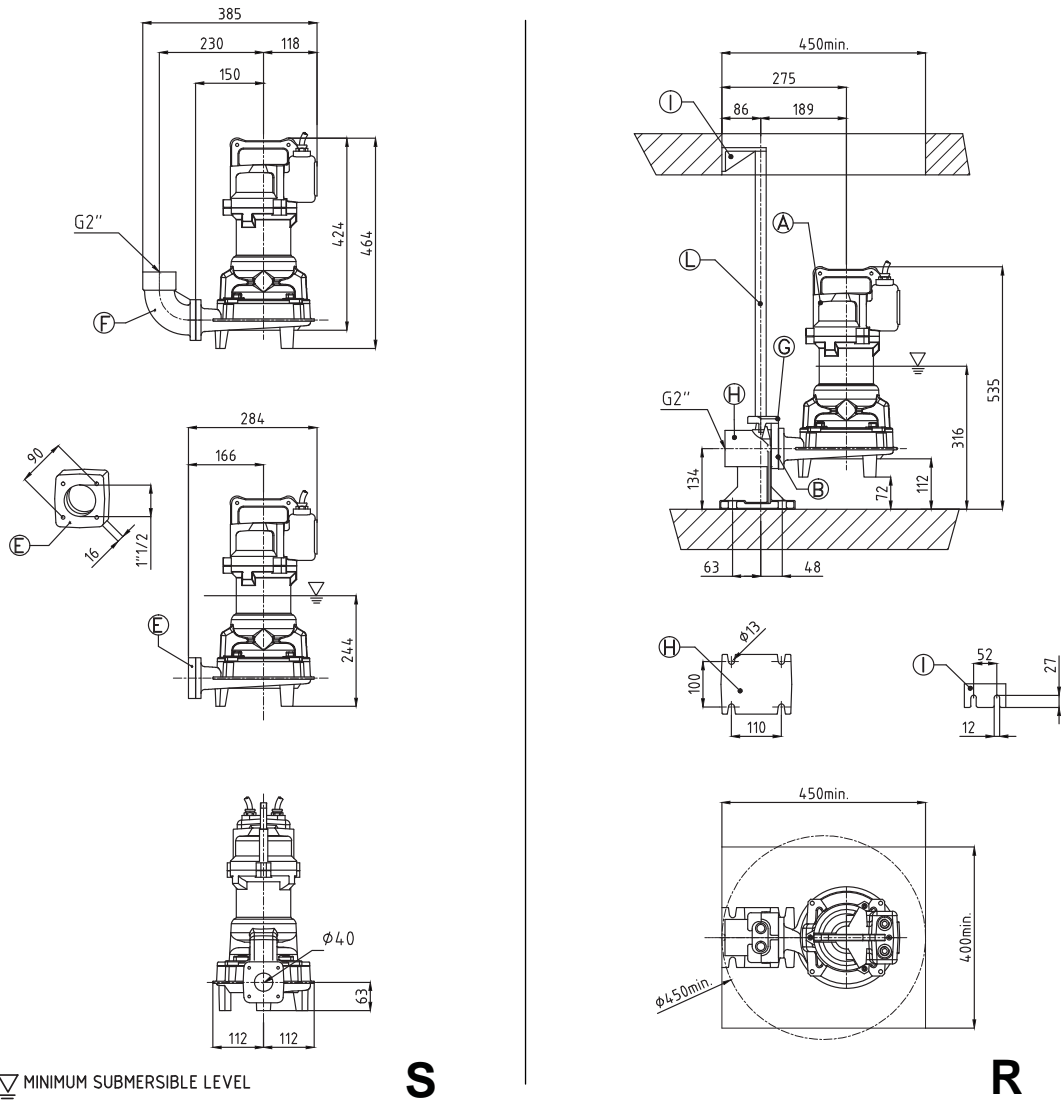


**R**

| Size DA | Model         | Output [kW] | Weight [kg] |
|---------|---------------|-------------|-------------|
| 40      | 40DRS51.1T2CG | 1,1         | 30          |
|         | 40DRS51.1T2BG | 1,1         | 30          |
|         | 40DRS51.4T2AG | 1,4         | 30          |

| Pos.    | Description                            | Material         | Weight Kg |
|---------|----------------------------------------|------------------|-----------|
| A       | Submersible Pump                       |                  | -         |
| B       | Rubber joint DN50                      | Neoprene         | -         |
| Type: P |                                        |                  |           |
| E       | Threaded flange 1"1/2                  | G250 Cast-Iron   | 1         |
| F       | Threaded elbow 90° 2"                  | G250 Cast-Iron   | 3         |
| Type: R |                                        |                  |           |
| G       | Double guide rail coupling flange DN50 | GS400 Cast-Iron  | 1,5       |
| H       | Double guide coupling feet DN50        | G250 Cast-Iron   | 6         |
| I       | Double guide rail upper support 3/4"   | G250 Cast-Iron   | 1,1       |
| L       | Guide rail 3/4"                        | Galvanized Steel | -         |

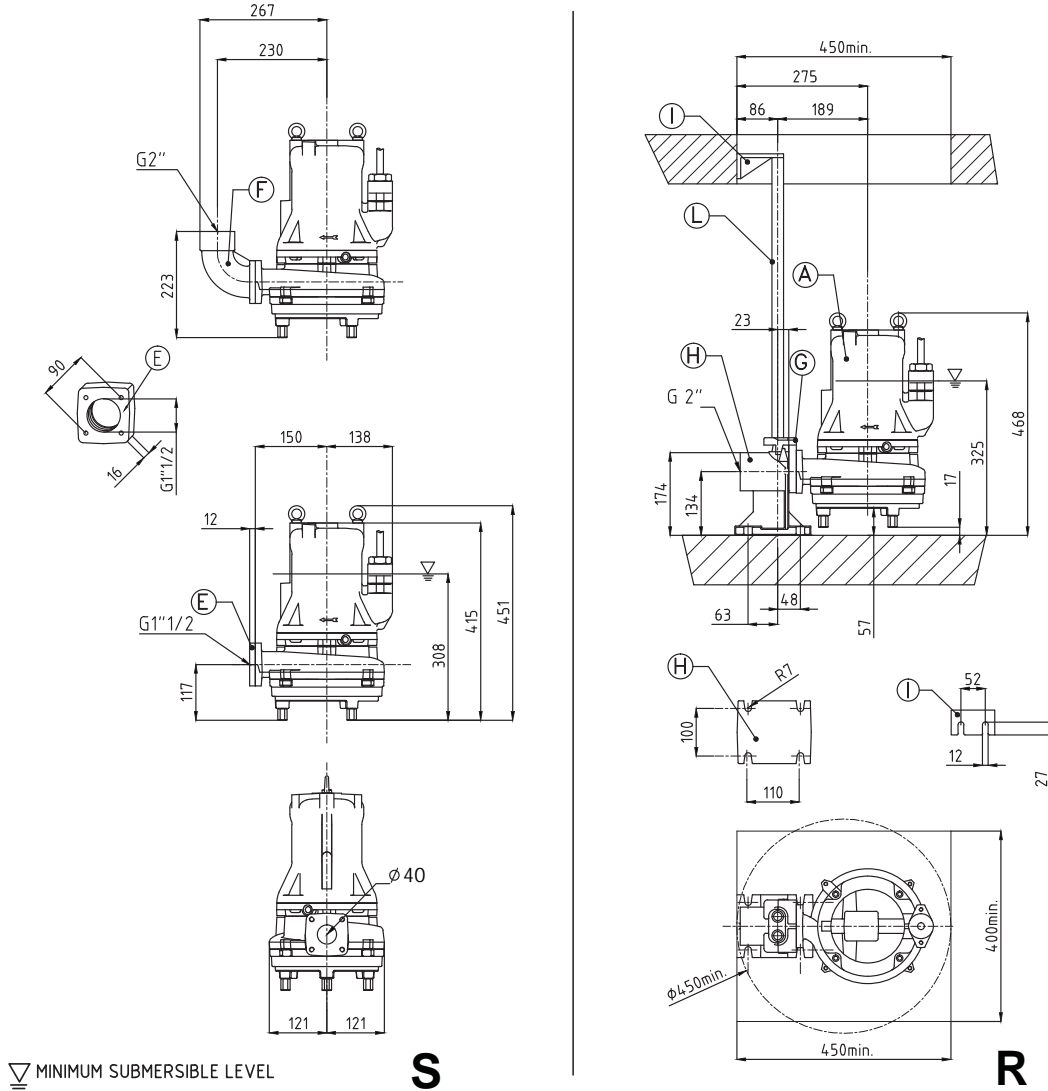
40DRS/40DRS with QDC (1.6 ÷ 2.4 kW)



| Size DA | Model         | Output [kW] | Weight [kg] |
|---------|---------------|-------------|-------------|
| 40      | 40DRS51.6T2CG | 1.6         | 40          |
|         | 40DRS51.6T2BG | 1.6         | 40          |
|         | 40DRS52.4T2AG | 2.4         | 40          |

| Pos.    | Description                            | Material         | Weight Kg |
|---------|----------------------------------------|------------------|-----------|
| A       | Submersible Pump                       |                  | -         |
| B       | Rubber joint DN50                      | Neoprene         | -         |
| Type: S |                                        |                  |           |
| E       | Threaded flange 1" 1/2                 | G250 Cast-Iron   | 1         |
| F       | Threaded elbow 90° 2"                  | G250 Cast-Iron   | 3         |
| Type: R |                                        |                  |           |
| G       | Double guide rail coupling flange DN50 | GS400 Cast-Iron  | 1,5       |
| H       | Double guide coupling feet DN50        | G250 Cast-Iron   | 6         |
| I       | Double guide rail upper support 3/4"   | G250 Cast-Iron   | 1,1       |
| L       | Guide rail 3/4"                        | Galvanized Steel | -         |

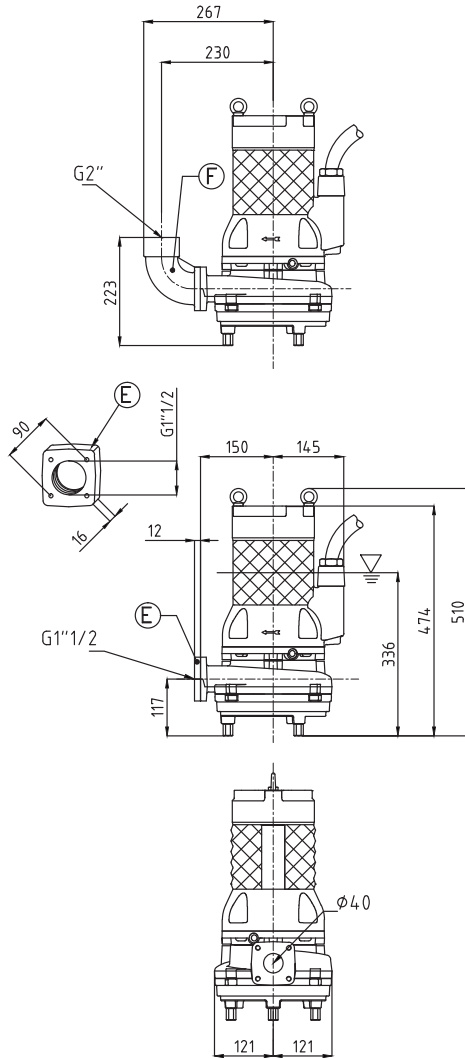
**40DRS/40DRS with QDC (3.1 kW)**



| Size DA | Model         | Output [kW] | Weight [kg] |
|---------|---------------|-------------|-------------|
| 40      | 40DRS53.1T2BG | 3,1         | 52          |
|         | 40DRS53.1T2AG | 3,1         | 52          |

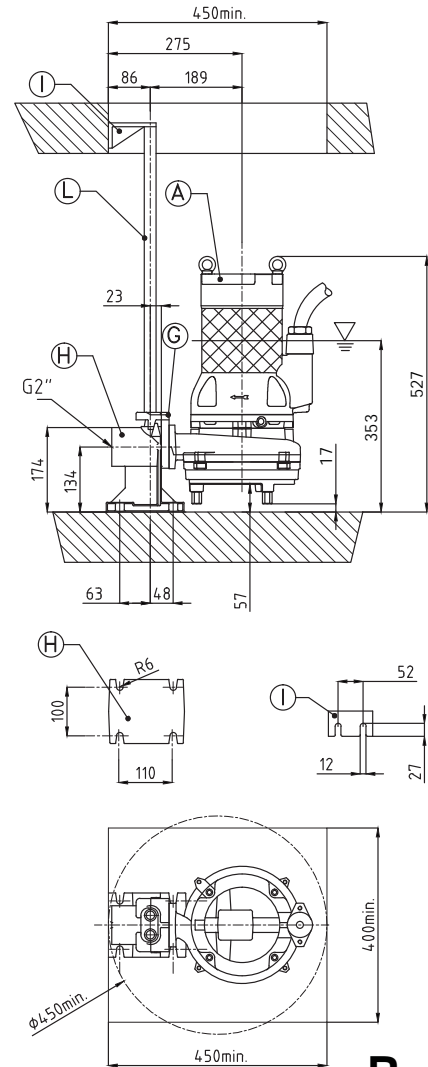
| Pos.    | Description                            | Material         | Weight Kg |
|---------|----------------------------------------|------------------|-----------|
| A       | Submersible Pump                       |                  | -         |
| B       | Rubber joint DN50                      | Neoprene         | -         |
| Type: S |                                        |                  |           |
| E       | Threaded flange 1\"1/2                 | G250 Cast-Iron   | 1         |
| F       | Threaded elbow 90° 2\"                 | G250 Cast-Iron   | 3         |
| Type: R |                                        |                  |           |
| G       | Double guide rail coupling flange DN50 | GS400 Cast-Iron  | 1.5       |
| H       | Double guide coupling feet DN50        | G250 Cast-Iron   | 6         |
| I       | Double guide rail upper support 3/4\"  | G250 Cast-Iron   | 1.1       |
| L       | Guide rail 3/4\"                       | Galvanized Steel | -         |

40DRS/40DRS with QDC (4.2 ÷ 5.0 kW)



▽ MINIMUM SUBMERSIBLE LEVEL

S



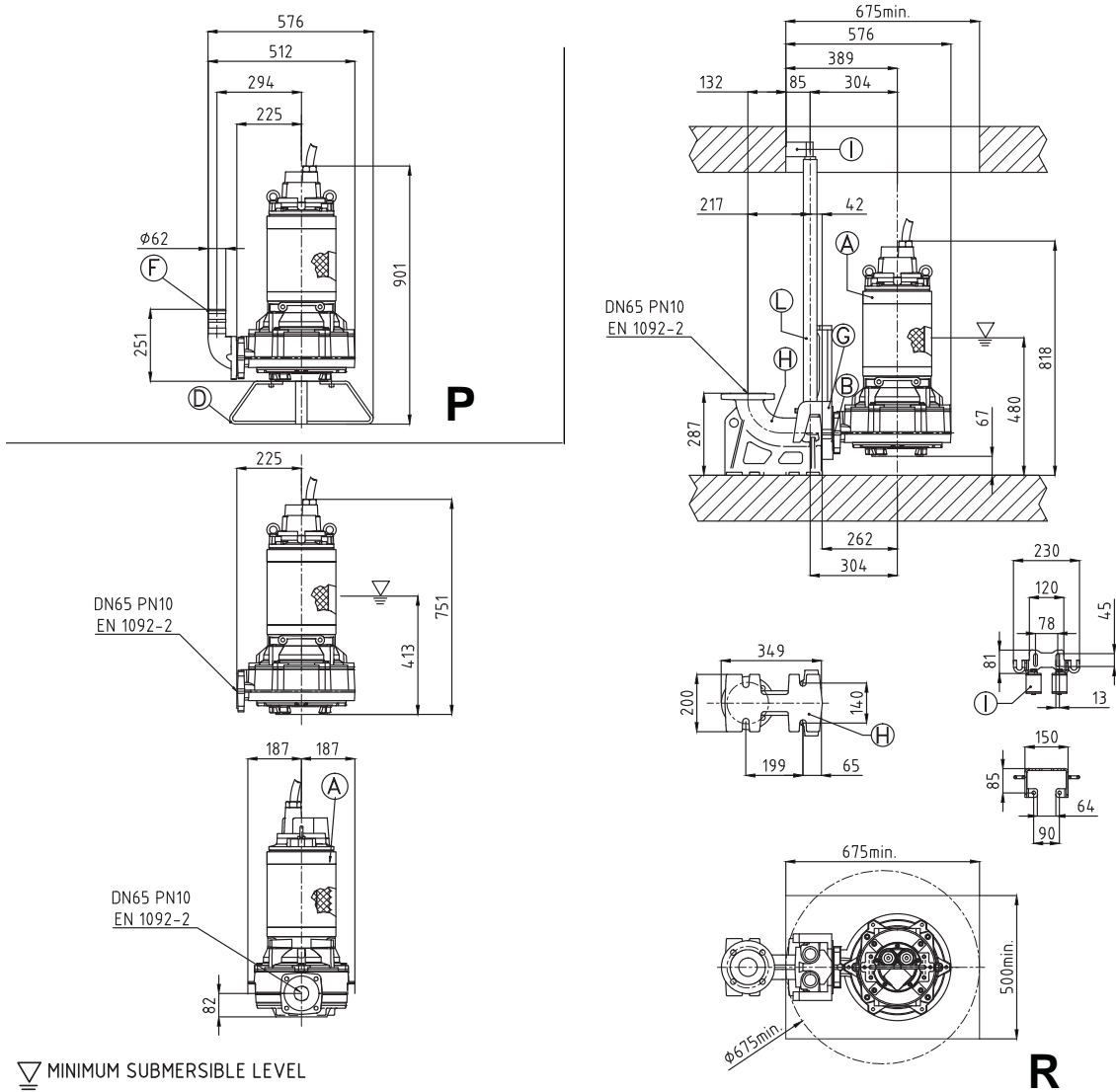
R

| Size DA | Model         | Output [kW] | Weight [kg] |
|---------|---------------|-------------|-------------|
| 40      | 40DRS54.2T2CG | 4.2         | 67          |
|         | 40DRS55T2BG   | 5.0         | 67          |
|         | 40DRS55T2AG   | 5.0         | 67          |

| Pos.    | Description                            | Material         | Weight Kg |
|---------|----------------------------------------|------------------|-----------|
| A       | Submersible Pump                       |                  | -         |
| B       | Rubber joint DN50                      | Neoprene         | -         |
| Type: S |                                        |                  |           |
| E       | Threaded flange 1 1/2"                 | G250 Cast-Iron   | 1         |
| F       | Threaded elbow 90° 2"                  | G250 Cast-Iron   | 3         |
| Type: R |                                        |                  |           |
| G       | Double guide rail coupling flange DN50 | GS400 Cast-Iron  | 1.5       |
| H       | Double guide coupling feet DN50        | G250 Cast-Iron   | 6         |
| I       | Double guide rail upper support 3/4"   | G250 Cast-Iron   | 1.1       |
| L       | Guide rail 3/4"                        | Galvanized Steel | -         |



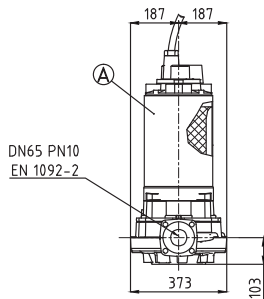
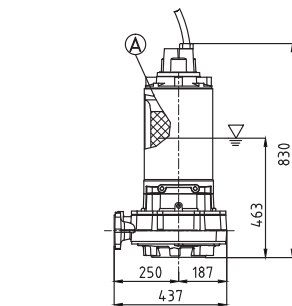
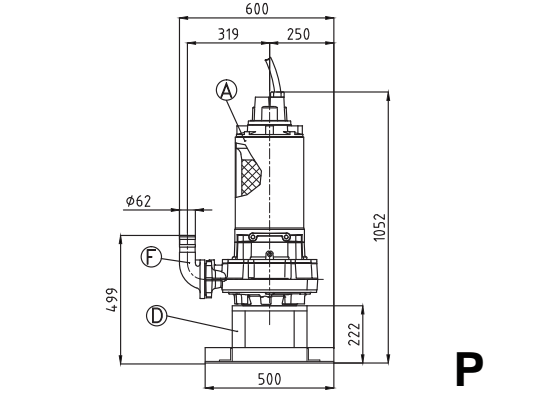
**65DRS/65DRS with QDC (6.5 ÷ 7.5 kW)**



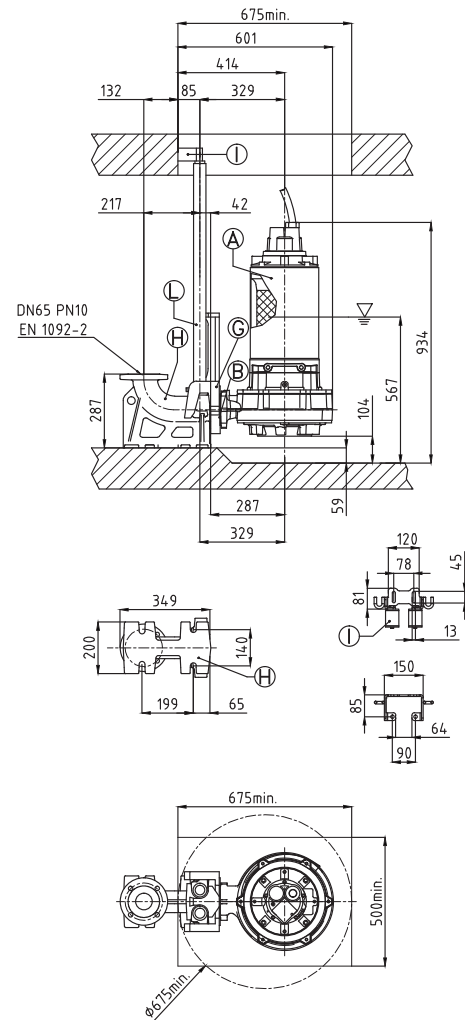
| Size DA   | Model         | Output [kW] | Weight [kg] |
|-----------|---------------|-------------|-------------|
| DN65      | 65DRS56.5T2CG | 6,5         | 178         |
| EN 1092-2 | 65DRS57.5T2BG | 7,5         | 178         |

| Pos.    | Description                            | Material         | Weight Kg |
|---------|----------------------------------------|------------------|-----------|
| A       | Submersible Pump                       |                  | -         |
| B       | Rubber joint DN65                      | Neoprene         | -         |
| Type: P |                                        |                  |           |
| D       | X foot rest                            | Galvanized Steel | 5         |
| F       | Delivery elbow 90° DN65                | G250 Cast-Iron   | 3         |
| Type: R |                                        |                  |           |
| G       | Double guide rail coupling flange DN65 | GS400 Cast-Iron  | 20        |
| H       | Double guide coupling feet DN65        | G250 Cast-Iron   | 19        |
| I       | Double guide rail upper support 2"     | G250 Cast-Iron   | 1.9       |
| L       | Guide rail 2"                          | Galvanized Steel | 4.5       |

**65DRS/65DRS with QDC (9.0 ÷ 14.9 kW)**



▽ MINIMUM SUBMERSIBLE LEVEL

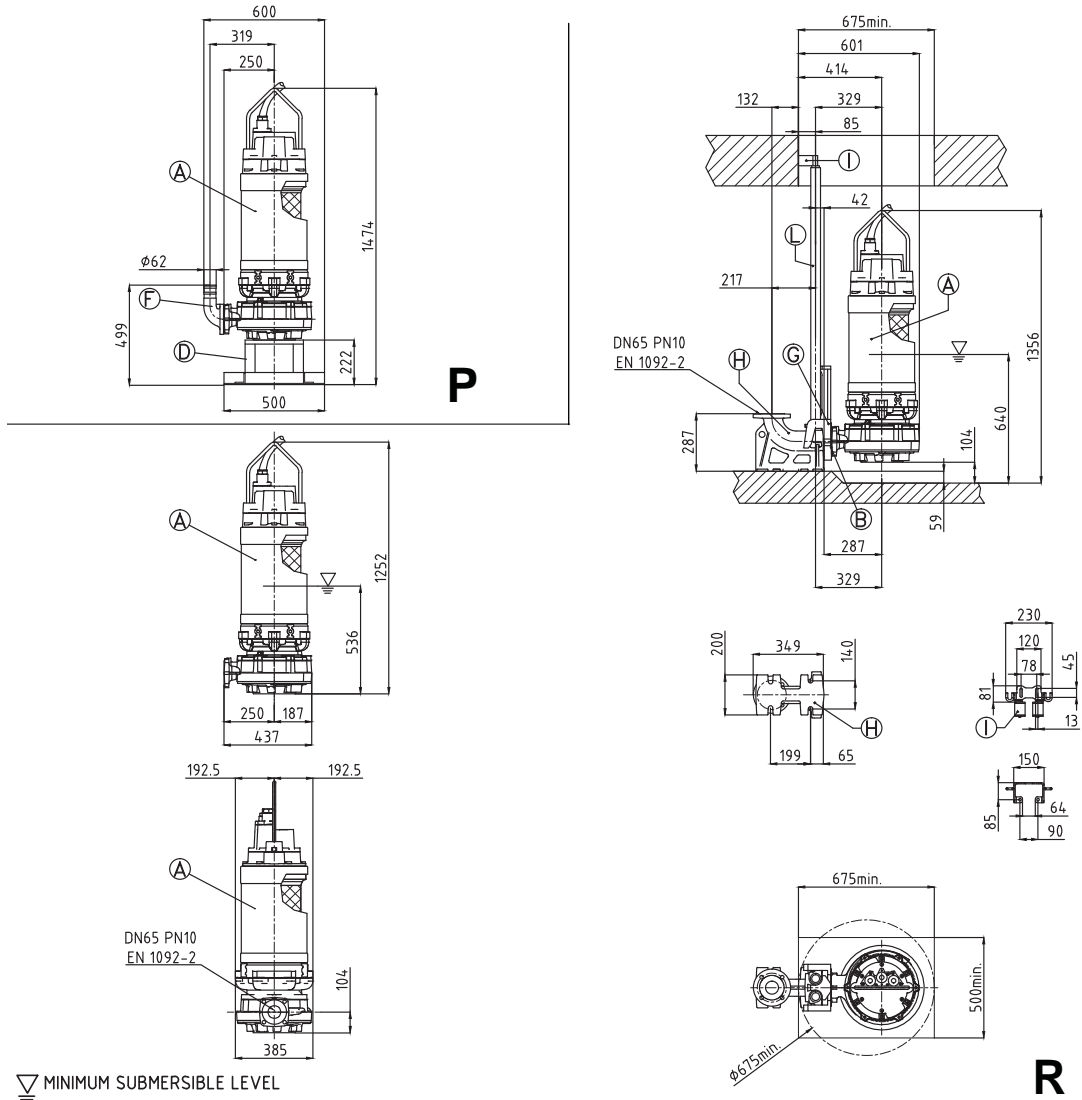


**R**

| Size DA           | Model          | Output [kW] | Weight [kg] |
|-------------------|----------------|-------------|-------------|
| DN65<br>EN 1092-2 | 65DRS59T2DG    | 9.0         | 200         |
|                   | 65DRS511T2CG   | 11.0        | 200         |
|                   | 65DRS513.8T2BG | 13.8        | 200         |
|                   | 65DRS513.8T2AG | 13.8        | 200         |
|                   | 65DRS514.9T2GG | 14.9        | 200         |

| Pos.    | Description                            | Material         | Weight Kg |
|---------|----------------------------------------|------------------|-----------|
| A       | Submersible Pump                       |                  | -         |
| B       | Rubber joint DN65                      | Neoprene         | -         |
| Type: P |                                        |                  |           |
| D       | X foot rest                            | Galvanized Steel | 25.1      |
| F       | Delivery elbow 90° DN65                | G250 Cast-Iron   | 3         |
| Type: R |                                        |                  |           |
| G       | Double guide rail coupling flange DN65 | GS400 Cast-Iron  | 20        |
| H       | Double guide coupling feet DN65        | G250 Cast-Iron   | 19        |
| I       | Double guide rail upper support 2"     | G250 Cast-Iron   | 1.9       |
| L       | Guide rail 2"                          | Galvanized Steel | 4.5       |

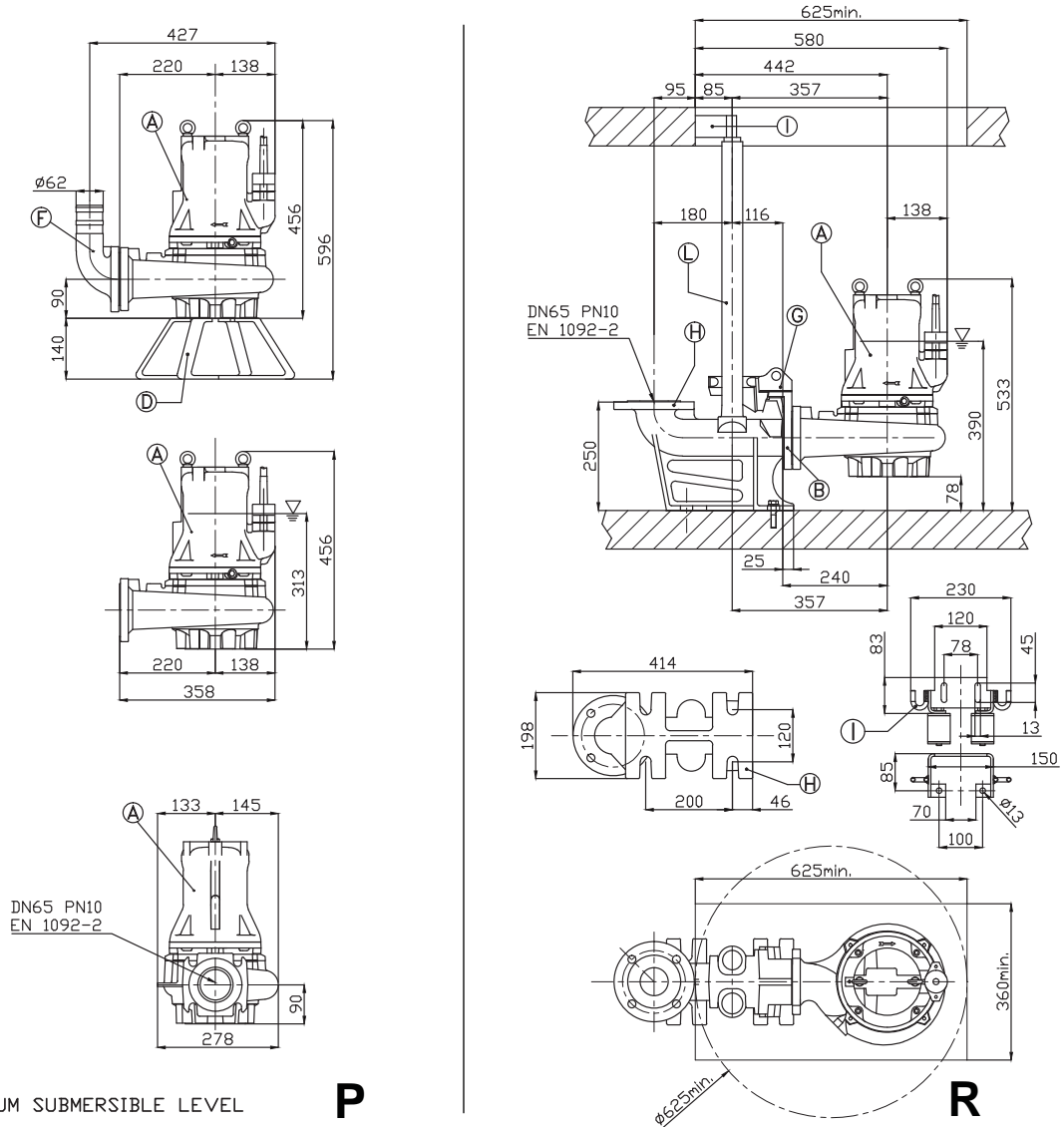
**65DRS/65DRS with QDC (20.0 ÷ 25.1 kW)**



| Size DA           | Model          | Output [kW] | Weight [kg] |
|-------------------|----------------|-------------|-------------|
| DN65<br>EN 1092-2 | 65DRS520T2BG   | 20.0        | 340         |
|                   | 65DRS522.4T2AG | 22,4        | 340         |
|                   | 65DRS525.1T2AG | 25,1        | 340         |

| Pos.    | Description                            | Material         | Weight Kg |
|---------|----------------------------------------|------------------|-----------|
| A       | Submersible Pump                       |                  | -         |
| B       | Rubber joint DN65                      | Neoprene         | -         |
| Type: P |                                        |                  |           |
| D       | X foot rest                            | Galvanized Steel | 25.1      |
| F       | Delivery elbow 90° DN65                | G250 Cast-Iron   | 3         |
| Type: R |                                        |                  |           |
| G       | Double guide rail coupling flange DN65 | GS400 Cast-Iron  | 20        |
| H       | Double guide coupling feet DN65        | G250 Cast-Iron   | 19        |
| I       | Double guide rail upper support 2"     | G250 Cast-Iron   | 1.9       |
| L       | Guide rail 2"                          | Galvanized Steel | 4.5       |

65DRD/65DRD with QDC (3.1 ÷ 3.6 kW)



▽ MINIMUM SUBMERSIBLE LEVEL

P

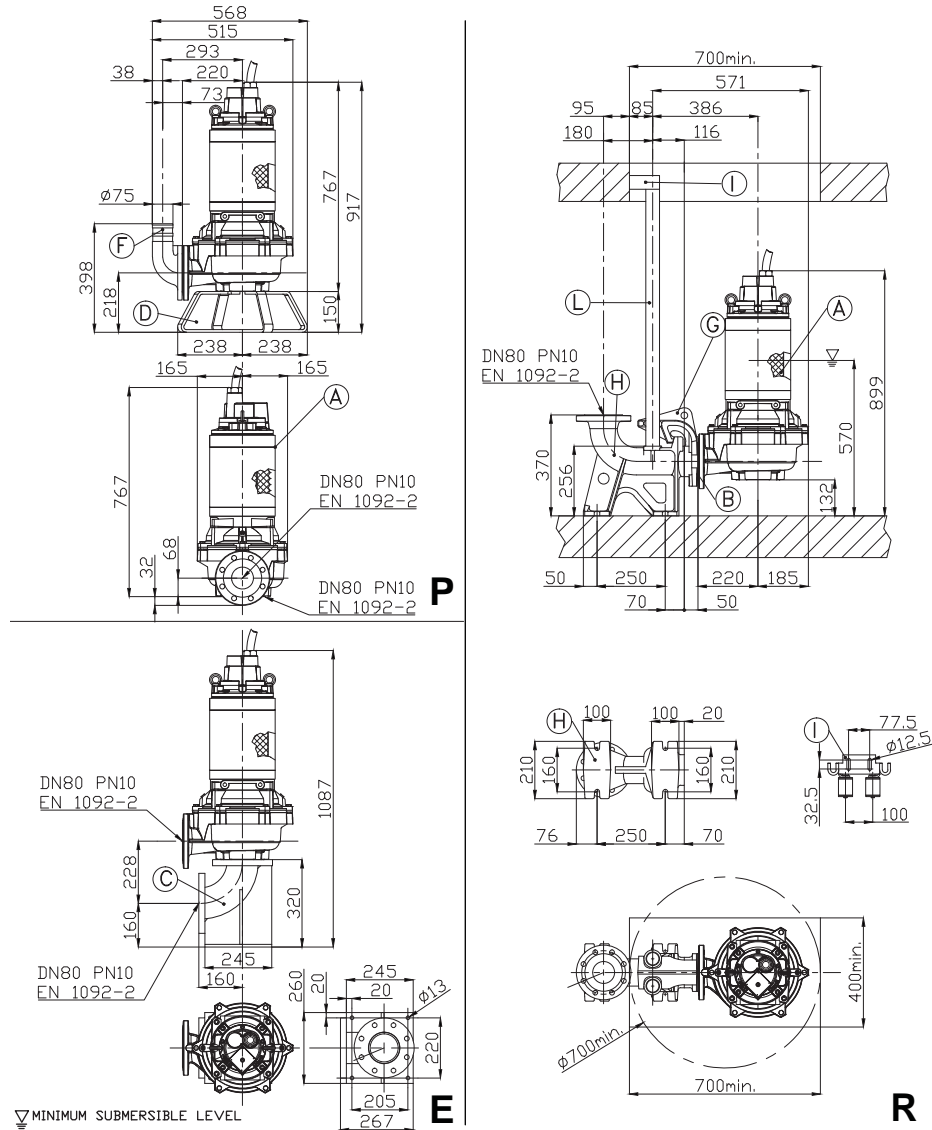
R

| Size<br>DA | Model         | Output<br>[kW] | Weight<br>[kg] |
|------------|---------------|----------------|----------------|
| DN65       | 65DRD53.1T2CG | 3,1            | 61             |
| EN 1092-2  | 65DRD53.6T2BG | 3,6            | 62             |

| Pos.    | Description                            | Material         | Weight Kg |
|---------|----------------------------------------|------------------|-----------|
| A       | Submersible Pump                       |                  | -         |
| B       | Rubber joint DN65                      | Neoprene         | -         |
| Type: P |                                        |                  |           |
| D       | X foot rest                            | Galvanized Steel | 3         |
| F       | Delivery elbow 90° DN65                | G250 Cast-Iron   | 3         |
| Type: R |                                        |                  |           |
| G       | Double guide rail coupling flange DN65 | GS250 Cast-Iron  | 3         |
| H       | Double guide coupling feet DN65        | G250 Cast-Iron   | 19        |
| I       | Double guide rail upper support 2"     | Galvanized Steel | 1,9       |
| L       | Guide rail 2"                          | Galvanized Steel | 4,5       |



**80DRD/80DRD with QDC (7.5 kW)**

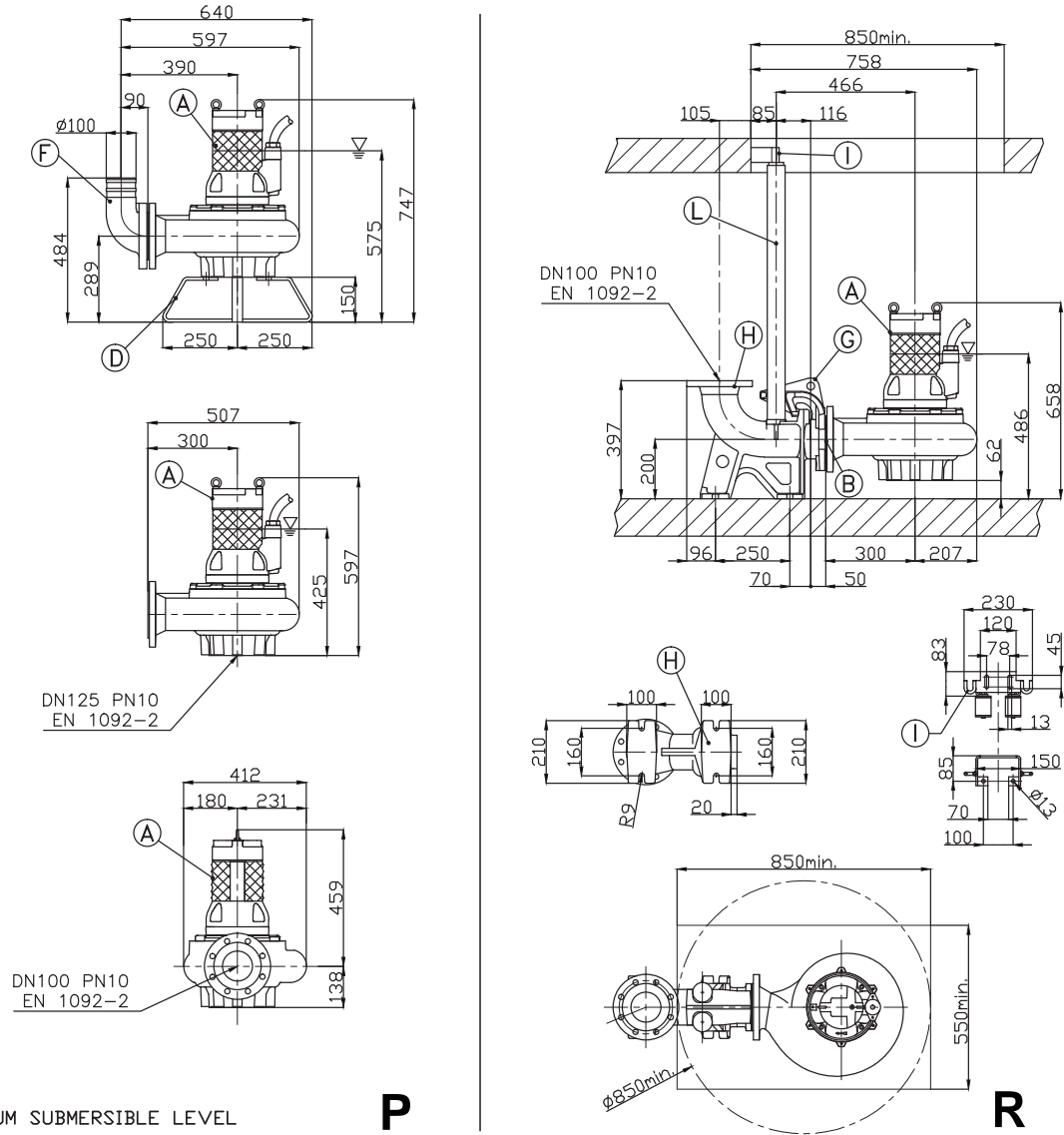


| Size DA        | Model         | Output [kW] | Weight [kg] |
|----------------|---------------|-------------|-------------|
| DN80 EN 1092-2 | 80DRD57.5T2AG | 7,5         | 150         |

| Pos.    | Description                            | Material         | Weight Kg |
|---------|----------------------------------------|------------------|-----------|
| A       | Submersible Pump                       |                  | -         |
| B       | Rubber joint DN80                      | Neoprene         | -         |
| Type: E |                                        |                  |           |
| C       | Suction elbow 90°                      | Galvanized Steel | 27        |
| Type: P |                                        |                  |           |
| D       | X foot rest                            | Galvanized Steel | 5         |
| F       | Delivery elbow 90° DN80                | G250 Cast-Iron   | 6         |
| Type: R |                                        |                  |           |
| G       | Double guide rail coupling flange DN80 | GS250 Cast-Iron  | 10        |
| H       | Double guide coupling feet DN80        | G250 Cast-Iron   | 33        |
| I       | Double guide rail upper support 2"     | Galvanized Steel | 1.9       |
| L       | Guide rail 2"                          | Galvanized Steel | 4.5       |



**100DRD/100DRD with QDC (2.8 ÷ 4.6 kW)**

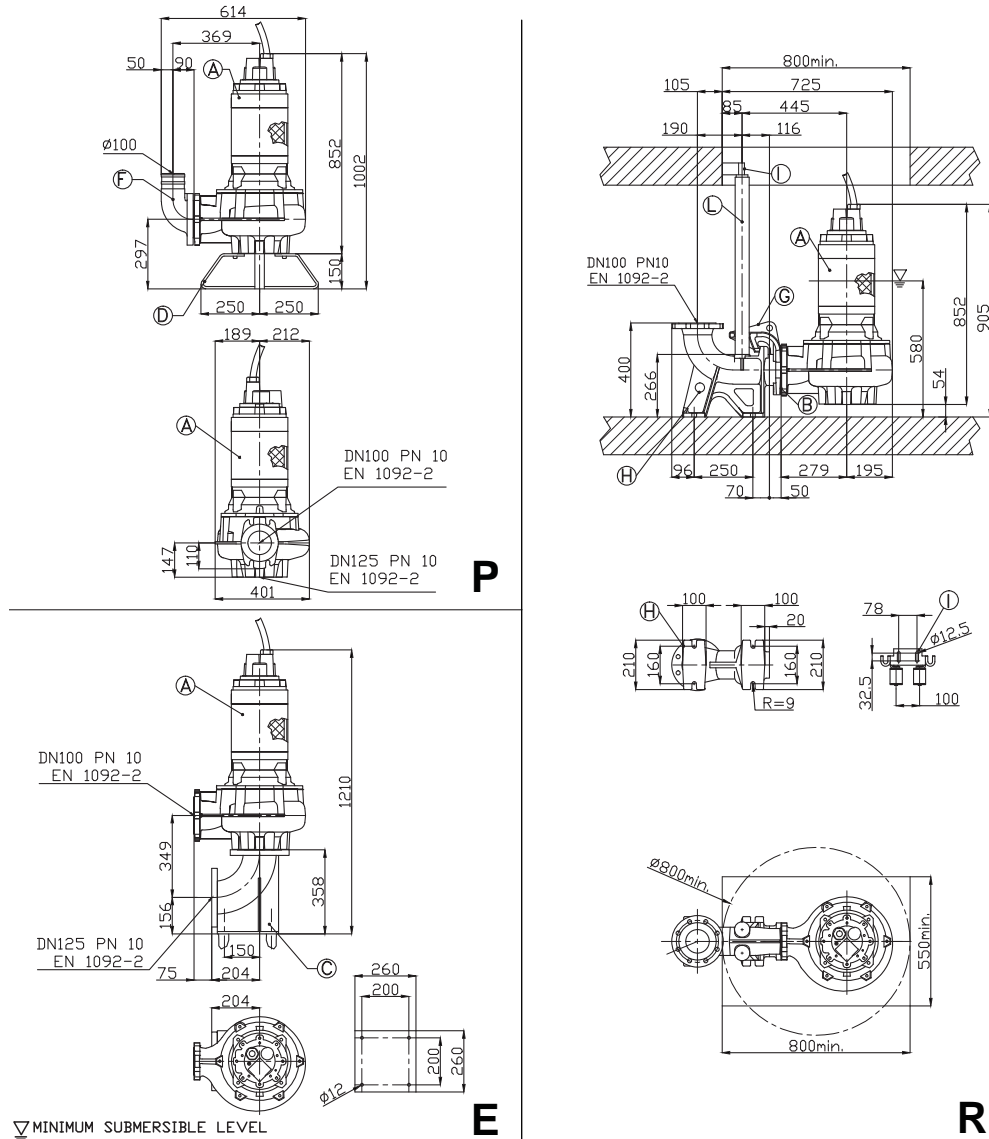


| Size DA            | Model          | Output [kW] | Weight [kg] |
|--------------------|----------------|-------------|-------------|
| DN100<br>EN 1092-2 | 100DRD52.8T6AG | 2,8         | 114         |
|                    | 100DRD54.6T4CG | 4,6         | 115         |
|                    | 100DRD54.6T4BG | 4,6         | 115         |

| Pos.    | Description                             | Material         | Weight Kg |
|---------|-----------------------------------------|------------------|-----------|
| A       | Submersible Pump                        |                  | -         |
| B       | Rubber joint DN100                      | Neoprene         | -         |
| Type: P |                                         |                  |           |
| D       | X foot rest                             | Galvanized Steel | 5         |
| F       | Delivery elbow 90° DN100                | G250 Cast-Iron   | 10        |
| Type: R |                                         |                  |           |
| G       | Double guide rail coupling flange DN100 | GS250 Cast-Iron  | 12        |
| H       | Double guide coupling feet DN100        | G250 Cast-Iron   | 35        |
| I       | Double guide rail upper support 2"      | Galvanized Steel | 1.9       |
| L       | Guide rail 2"                           | Galvanized Steel | 4.5       |



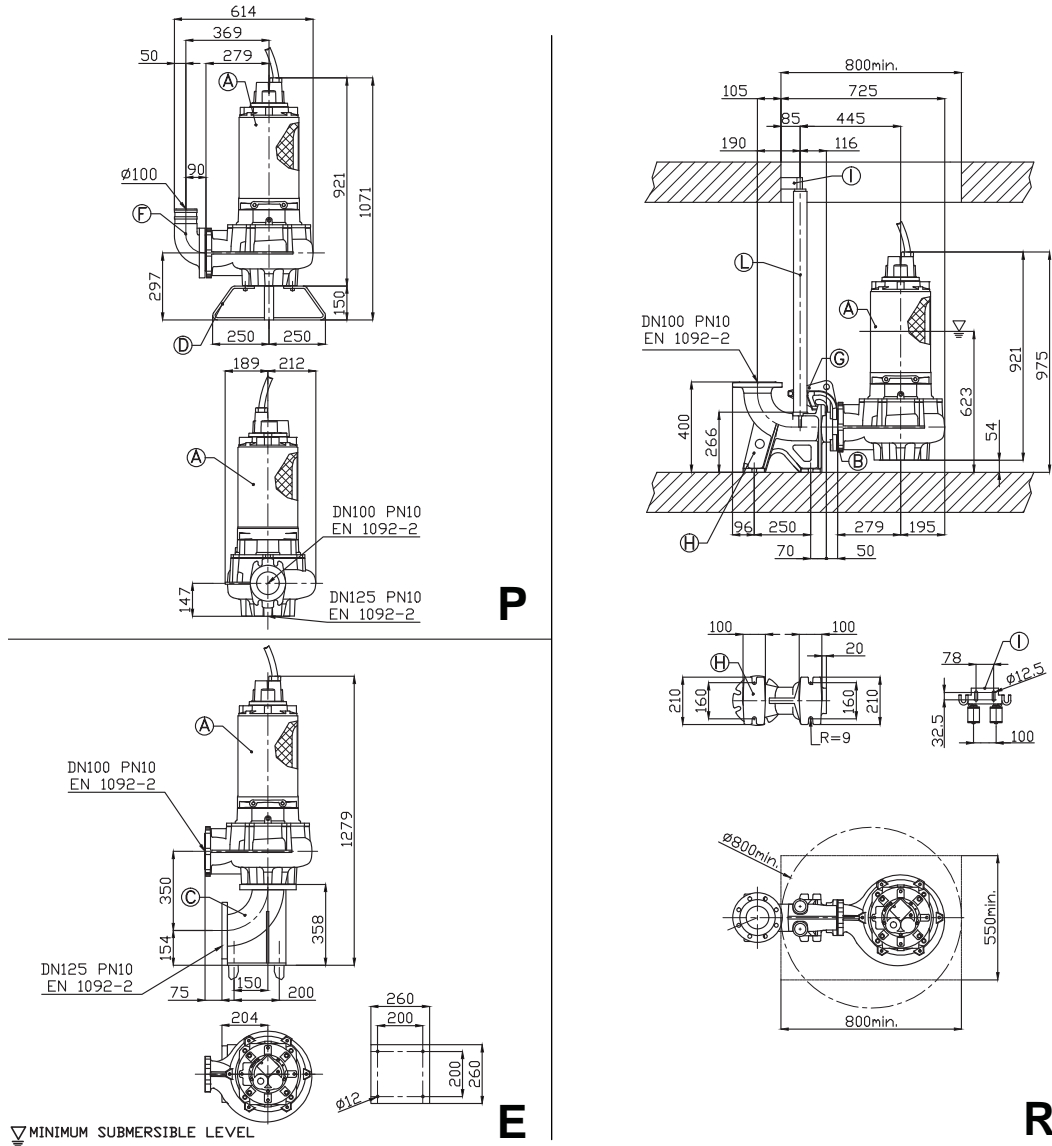
100DRD/100DRD with QDC (7.1 ÷ 7.5 kW)



| Size DA   | Model          | Output [kW] | Weight [kg] |
|-----------|----------------|-------------|-------------|
| DN100     | 100DRD57.1T4BG | 7,1         | 170         |
| EN 1092-2 | 100DRD57.5T4FG | 7,5         | 175         |

| Pos.    | Description                             | Material         | Weight Kg |
|---------|-----------------------------------------|------------------|-----------|
| A       | Submersible Pump                        |                  | -         |
| B       | Rubber joint DN100                      | Neoprene         | -         |
| Type: E |                                         |                  |           |
| C       | Suction elbow 90°                       | Galvanized Steel | 27        |
| Type: P |                                         |                  |           |
| D       | X foot rest                             | Galvanized Steel | 5         |
| F       | Delivery elbow 90° DN100                | G250 Cast-Iron   | 10        |
| Type: R |                                         |                  |           |
| G       | Double guide rail coupling flange DN100 | GS250 Cast-Iron  | 12        |
| H       | Double guide coupling feet DN100        | G250 Cast-Iron   | 35        |
| I       | Double guide rail upper support 2"      | Galvanized Steel | 1.9       |
| L       | Guide rail 2"                           | Galvanized Steel | 4.5       |

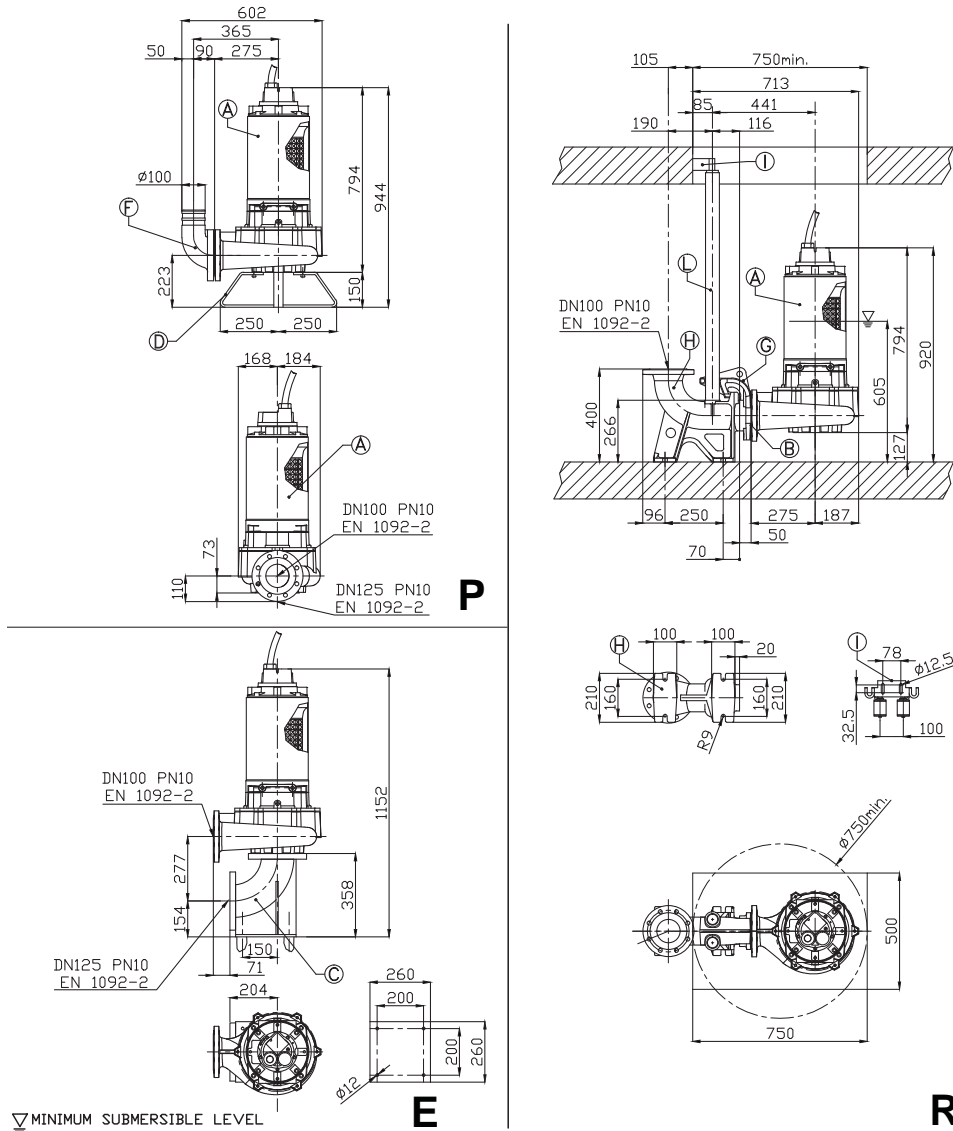
**100DRD/100DRD with QDC (10.0 kW)**



| Size DA         | Model         | Output [kW] | Weight [kg] |
|-----------------|---------------|-------------|-------------|
| DN100 EN 1092-2 | 100DRD510T4FG | 10.0        | 205         |
|                 | 100DRD510T4AG | 10.0        | 200         |

| Pos.    | Description                             | Material         | Weight Kg |
|---------|-----------------------------------------|------------------|-----------|
| A       | Submersible Pump                        |                  | -         |
| B       | Rubber joint DN100                      | Neoprene         | -         |
| Type: E |                                         |                  |           |
| C       | Suction elbow 90°                       | Galvanized Steel | 27        |
| Type: P |                                         |                  |           |
| D       | X foot rest                             | Galvanized Steel | 5         |
| F       | Delivery elbow 90° DN100                | G250 Cast-Iron   | 10        |
| Type: R |                                         |                  |           |
| G       | Double guide rail coupling flange DN100 | GS250 Cast-Iron  | 12        |
| H       | Double guide coupling feet DN100        | G250 Cast-Iron   | 35        |
| I       | Double guide rail upper support 2"      | Galvanized Steel | 1.9       |
| L       | Guide rail 2"                           | Galvanized Steel | 4.5       |

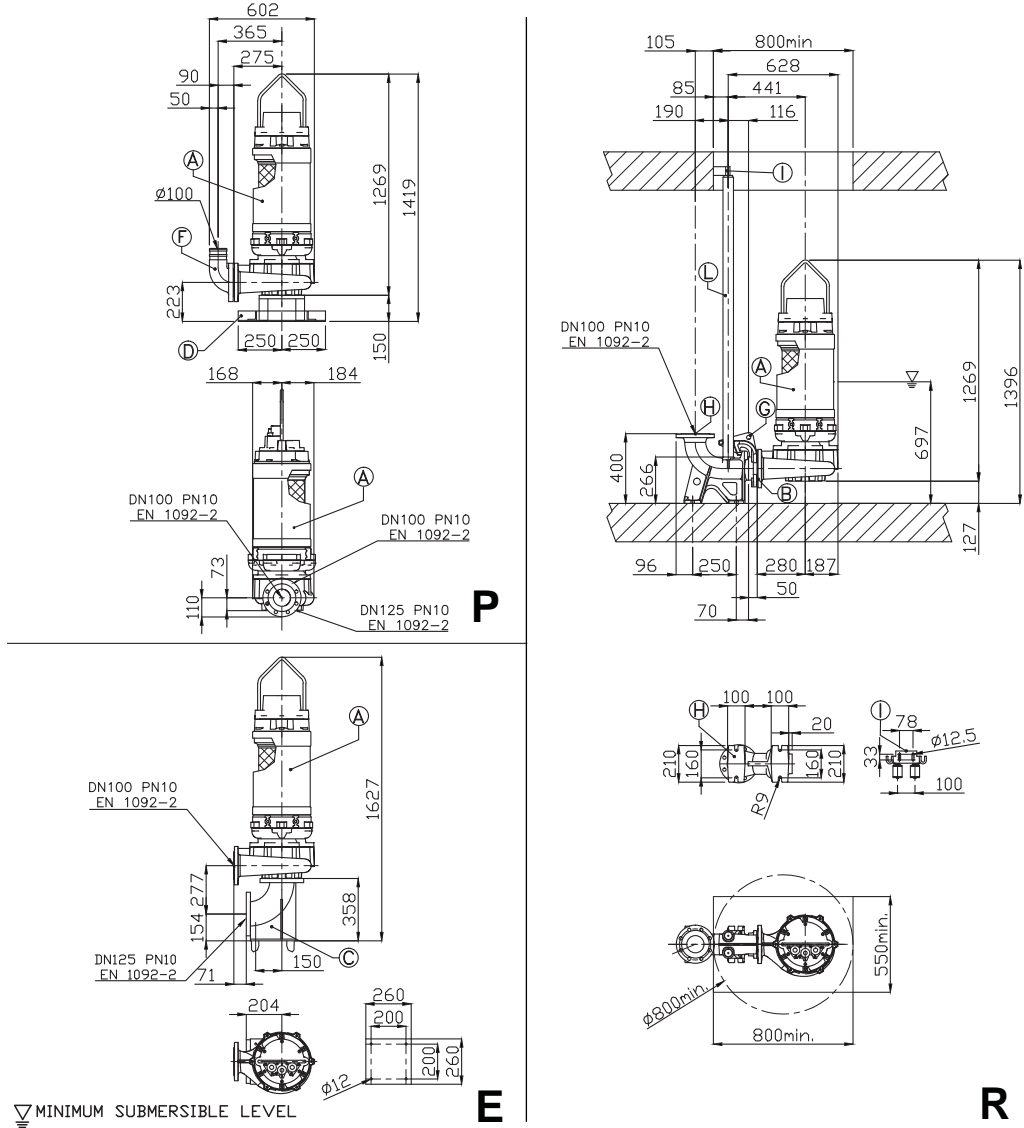
**100DRD/100DRD with QDC (12.0 ÷ 18.2 kW)**



| Size DA            | Model           | Output [kW] | Weight [kg] |
|--------------------|-----------------|-------------|-------------|
| DN100<br>EN 1092-2 | 100DRD512T2DG   | 12.0        | 200         |
|                    | 100DRD514.9T2CG | 14.9        | 195         |
|                    | 100DRD516.6T2BG | 16.6        | 205         |
|                    | 100DRD518.2T2AG | 18.2        | 206         |

| Pos.    | Description                             | Material         | Weight Kg |
|---------|-----------------------------------------|------------------|-----------|
| A       | Submersible Pump                        |                  | -         |
| B       | Rubber joint DN100                      | Neoprene         | -         |
| Type: E |                                         |                  |           |
| C       | Suction elbow 90°                       | Galvanized Steel | 27        |
| Type: P |                                         |                  |           |
| D       | X foot rest                             | Galvanized Steel | 5         |
| F       | Delivery elbow 90° DN100                | G250 Cast-Iron   | 10        |
| Type: R |                                         |                  |           |
| G       | Double guide rail coupling flange DN100 | GS250 Cast-Iron  | 12        |
| H       | Double guide coupling feet DN100        | G250 Cast-Iron   | 35        |
| I       | Double guide rail upper support 2"      | Galvanized Steel | 1.9       |
| L       | Guide rail 2"                           | Galvanized Steel | 4.5       |

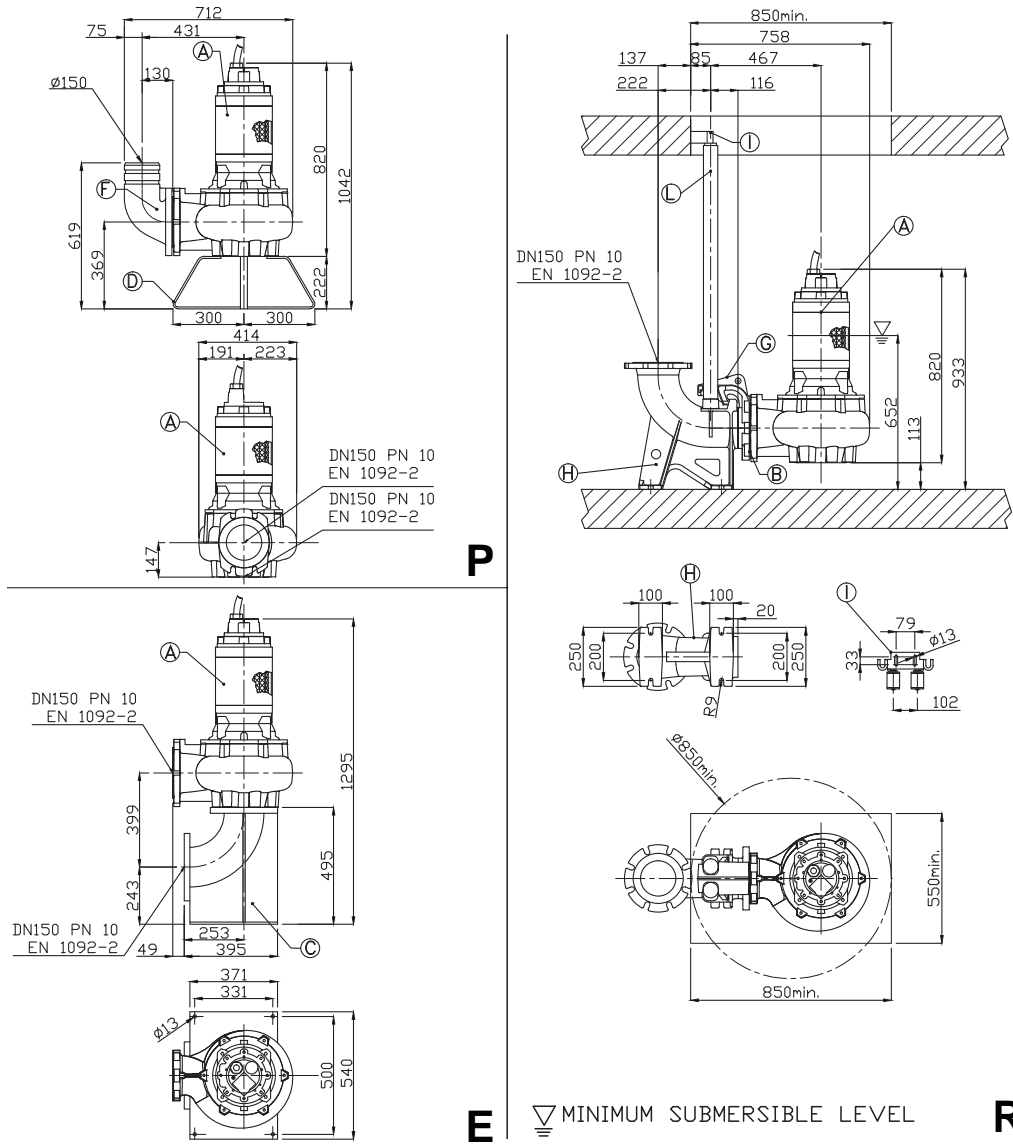
**100DRD/100DRD with QDC (20.0 kW)**



| Size DA         | Model         | Output [kW] | Weight [kg] |
|-----------------|---------------|-------------|-------------|
| DN100 EN 1092-2 | 100DRD520T2AG | 20.0        | 340         |

| Pos.    | Description                             | Material         | Weight Kg |
|---------|-----------------------------------------|------------------|-----------|
| A       | Submersible Pump                        |                  | -         |
| B       | Rubber joint DN100                      | Neoprene         | -         |
| Type: E |                                         |                  |           |
| C       | Suction elbow 90°                       | Galvanized Steel | 27        |
| Type: P |                                         |                  |           |
| D       | X foot rest                             | Galvanized Steel | 23        |
| F       | Delivery elbow 90° DN100                | G250 Cast-Iron   | 10        |
| Type: R |                                         |                  |           |
| G       | Double guide rail coupling flange DN100 | GS250 Cast-Iron  | 12        |
| H       | Double guide coupling feet DN100        | G250 Cast-Iron   | 35        |
| I       | Double guide rail upper support 2"      | Galvanized Steel | 1.9       |
| L       | Guide rail 2"                           | Galvanized Steel | 4.5       |

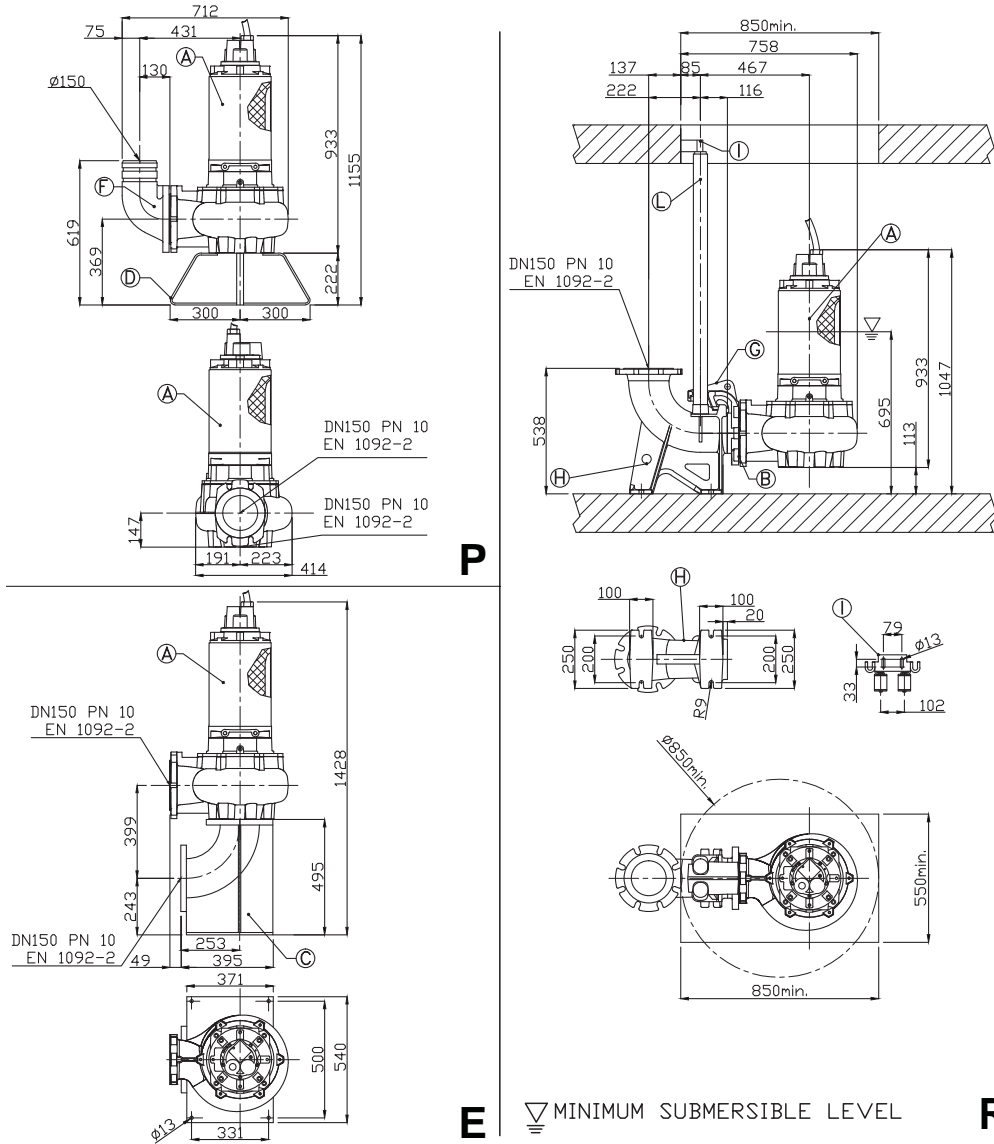
150DRD/150DRD with QDC (6.0 kW)



| Size DA         | Model        | Output [kW] | Weight [kg] |
|-----------------|--------------|-------------|-------------|
| DN150 EN 1092-2 | 150DRD56T6CG | 6.0         | 190         |

| Pos.    | Description                             | Material         | Weight Kg |
|---------|-----------------------------------------|------------------|-----------|
| A       | Submersible Pump                        |                  | -         |
| B       | Rubber joint DN150                      | Neoprene         | -         |
| Type: E |                                         |                  |           |
| C       | Suction elbow 90°                       | Galvanized Steel | 40        |
| Type: P |                                         |                  |           |
| D       | X foot rest                             | Galvanized Steel | 9         |
| F       | Delivery elbow 90° DN150                | G250 Cast-Iron   | 20        |
| Type: R |                                         |                  |           |
| G       | Double guide rail coupling flange DN150 | GS250 Cast-Iron  | 12        |
| H       | Double guide coupling feet DN150        | G250 Cast-Iron   | 60        |
| I       | Double guide rail upper support 2"      | Galvanized Steel | 1.9       |
| L       | Guide rail 2"                           | Galvanized Steel | 4.5       |

150DRD/150DRD with QDC (8.0 kW)

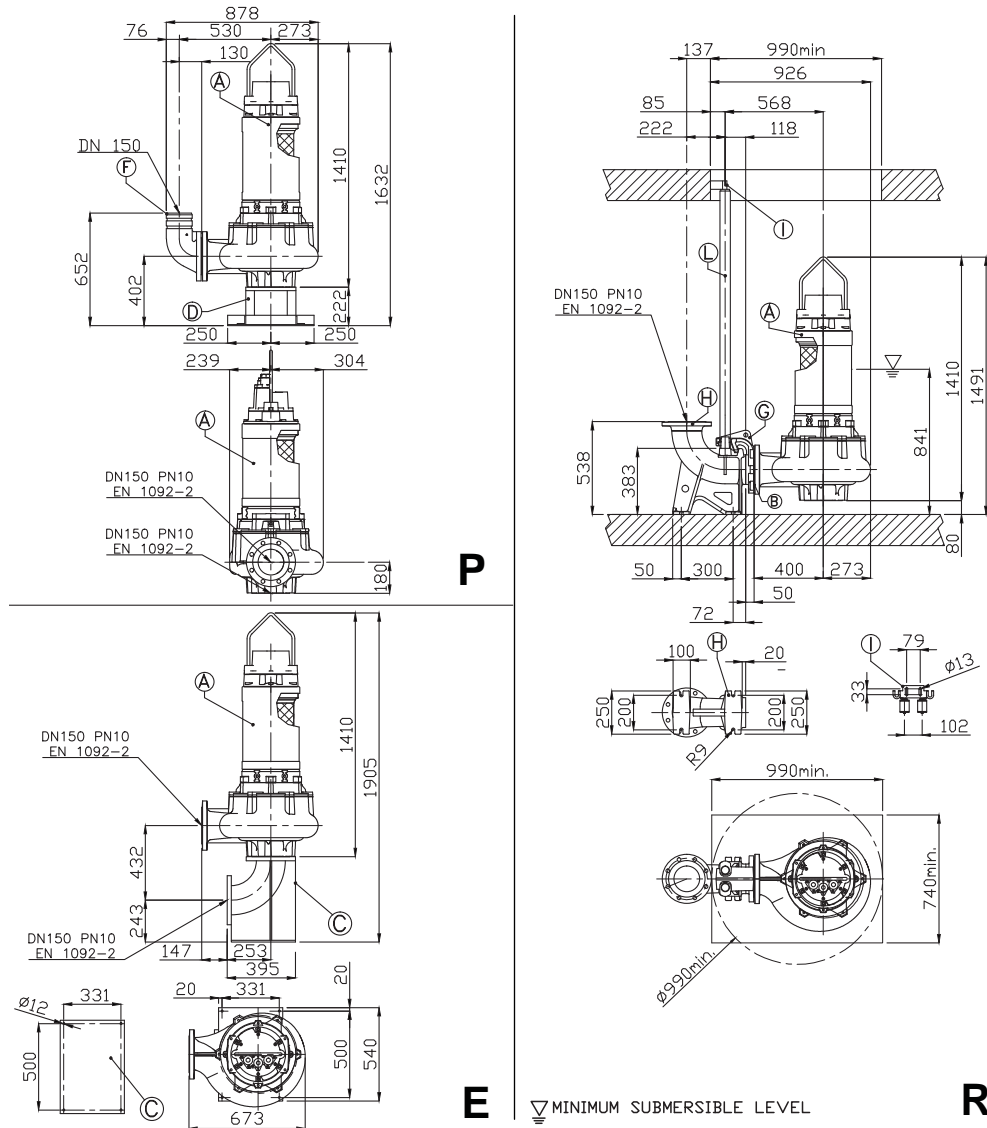


| Size DA         | Model        | Output [kW] | Weight [kg] |
|-----------------|--------------|-------------|-------------|
| DN150 EN 1092-2 | 150DRD58T6BG | 8.0         | 220         |

| Pos.    | Description                             | Material         | Weight Kg |
|---------|-----------------------------------------|------------------|-----------|
| A       | Submersible Pump                        |                  | -         |
| B       | Rubber joint DN150                      | Neoprene         | -         |
| Type: E |                                         |                  |           |
| C       | Suction elbow 90°                       | Galvanized Steel | 40        |
| Type: P |                                         |                  |           |
| D       | X foot rest                             | Galvanized Steel | 9         |
| F       | Delivery elbow 90° DN150                | G250 Cast-Iron   | 20        |
| Type: R |                                         |                  |           |
| G       | Double guide rail coupling flange DN150 | GS250 Cast-Iron  | 12        |
| H       | Double guide coupling feet DN150        | G250 Cast-Iron   | 60        |
| I       | Double guide rail upper support 2"      | Galvanized Steel | 1.9       |
| L       | Guide rail 2"                           | Galvanized Steel | 4.5       |



**150DRD/150DRD with QDC (23.0 ÷ 27.0 kW)**

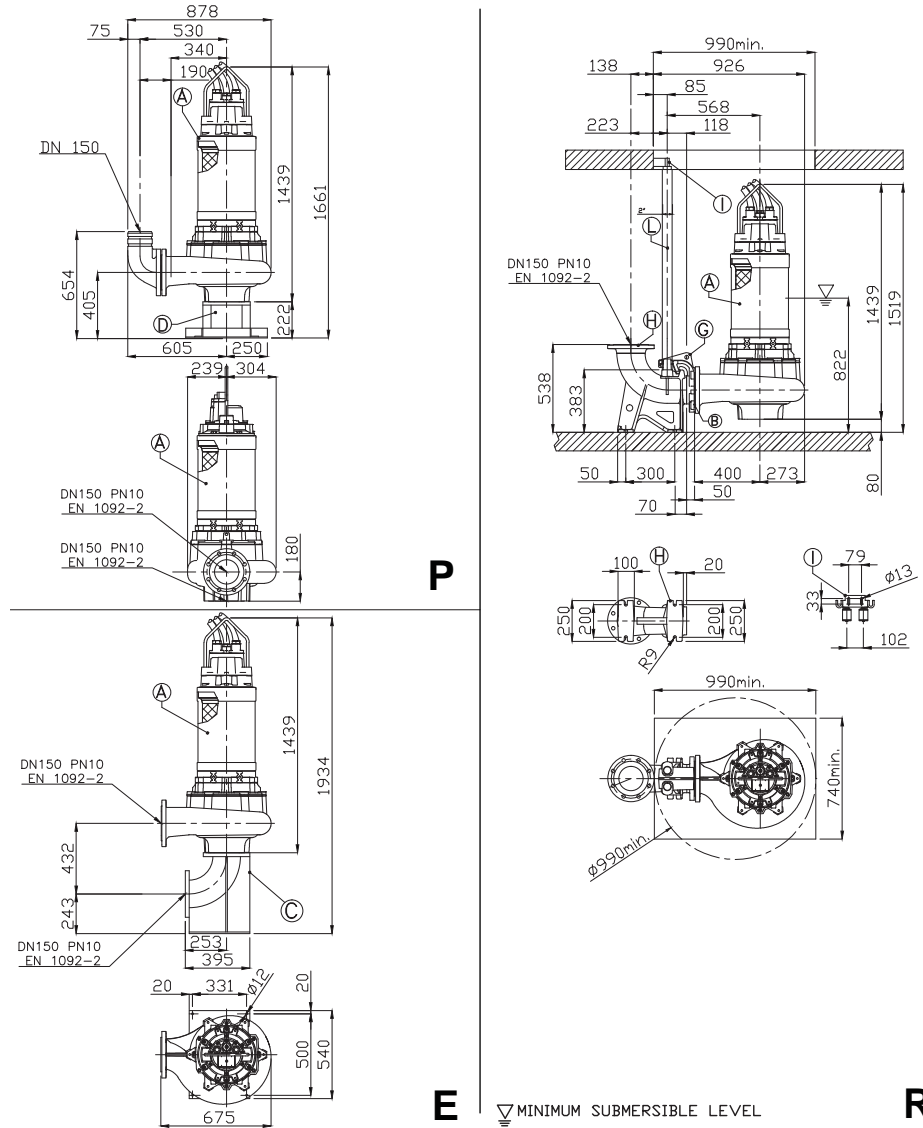


| Size DA            | Model         | Output [kW] | Weight [kg] |
|--------------------|---------------|-------------|-------------|
| DN150<br>EN 1092-2 | 150DRD523T4CG | 23.0        | 430         |
|                    | 150DRD527T4BG | 27.0        | 430         |
|                    | 150DRD527T4AG | 27.0        | 430         |

| Pos.    | Description                             | Material         | Weight Kg |
|---------|-----------------------------------------|------------------|-----------|
| A       | Submersible Pump                        |                  | -         |
| B       | Rubber joint DN150                      | Neoprene         | -         |
| Type: E |                                         |                  |           |
| C       | Suction elbow 90°                       | Galvanized Steel | 40        |
| Type: P |                                         |                  |           |
| D       | X foot rest                             | Galvanized Steel | 25.1      |
| F       | Delivery elbow 90° DN150                | G250 Cast-Iron   | 20        |
| Type: R |                                         |                  |           |
| G       | Double guide rail coupling flange DN150 | GS250 Cast-Iron  | 12        |
| H       | Double guide coupling feet DN150        | G250 Cast-Iron   | 60        |
| I       | Double guide rail upper support 2"      | Galvanized Steel | 1.9       |
| L       | Guide rail 2"                           | Galvanized Steel | 4.5       |



**150DRD/150DRD with QDC (30.0 ÷ 41.0 kW)**

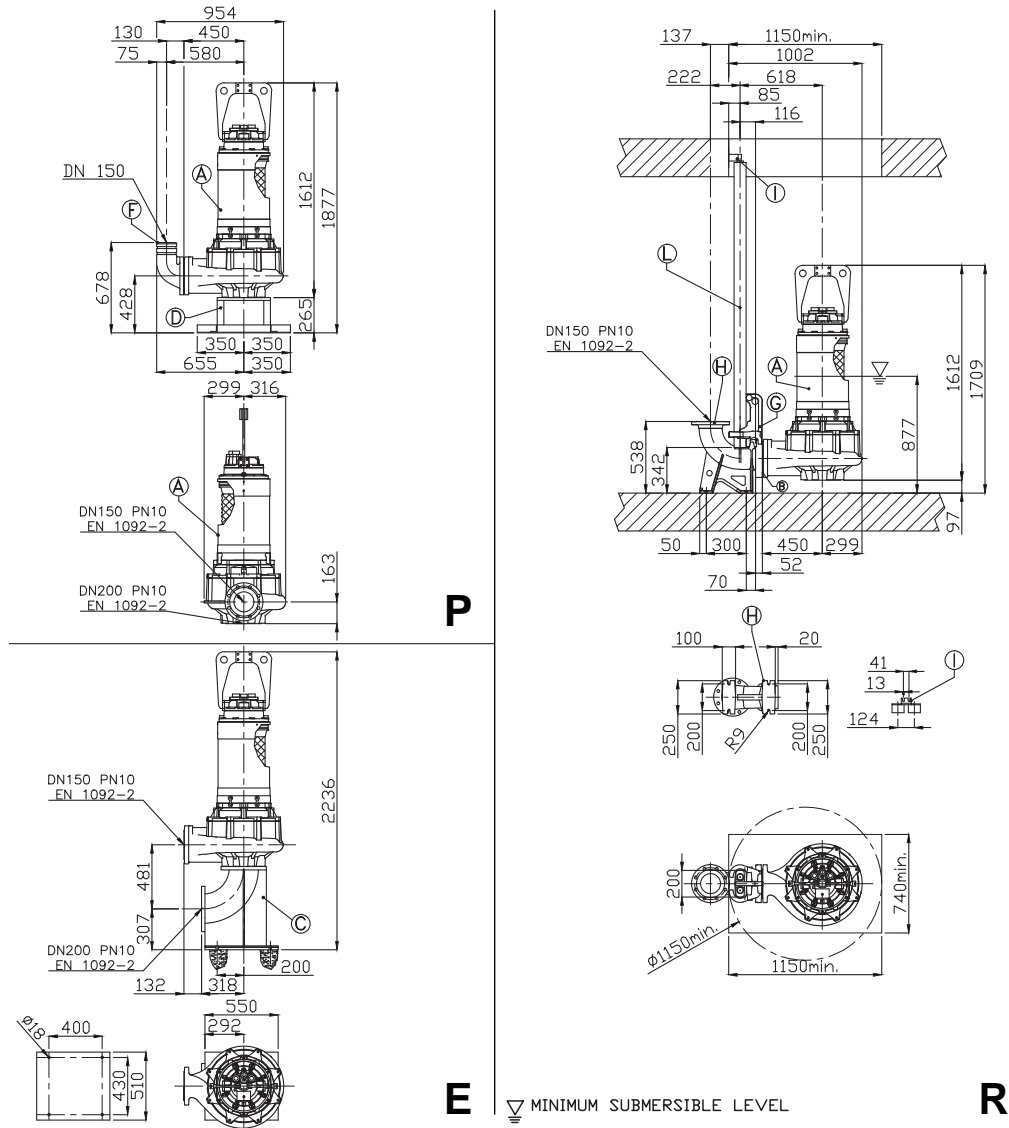


| Size DA            | Model           | Output [kW] | Weight [kg] |
|--------------------|-----------------|-------------|-------------|
| DN150<br>EN 1092-2 | 150DRD530T4BG   | 30,0        | 518         |
|                    | 150DRD530.1T4BG | 30,0        | 515         |
|                    | 150DRD535.7T4EG | 35,7        | 512         |
|                    | 150DRD535.7T4AG | 35,7        | 518         |
|                    | 150DRD541T4AG   | 41,0        | 515         |

| Pos.    | Description                             | Material         | Weight Kg |
|---------|-----------------------------------------|------------------|-----------|
| A       | Submersible Pump                        |                  | -         |
| B       | Rubber joint DN150                      | Neoprene         | -         |
| Type: E |                                         |                  |           |
| C       | Suction elbow 90°                       | Galvanized Steel | 40        |
| Type: P |                                         |                  |           |
| D       | X foot rest                             | Galvanized Steel | 25.1      |
| F       | Delivery elbow 90° DN150                | G250 Cast-Iron   | 20        |
| Type: R |                                         |                  |           |
| G       | Double guide rail coupling flange DN150 | GS250 Cast-Iron  | 12        |
| H       | Double guide coupling feet DN150        | G250 Cast-Iron   | 60        |
| I       | Double guide rail upper support 2"      | Galvanized Steel | 1.9       |
| L       | Guide rail 2"                           | Galvanized Steel | 4.5       |



150DRD/150DRD with QDC (60.0 kW)

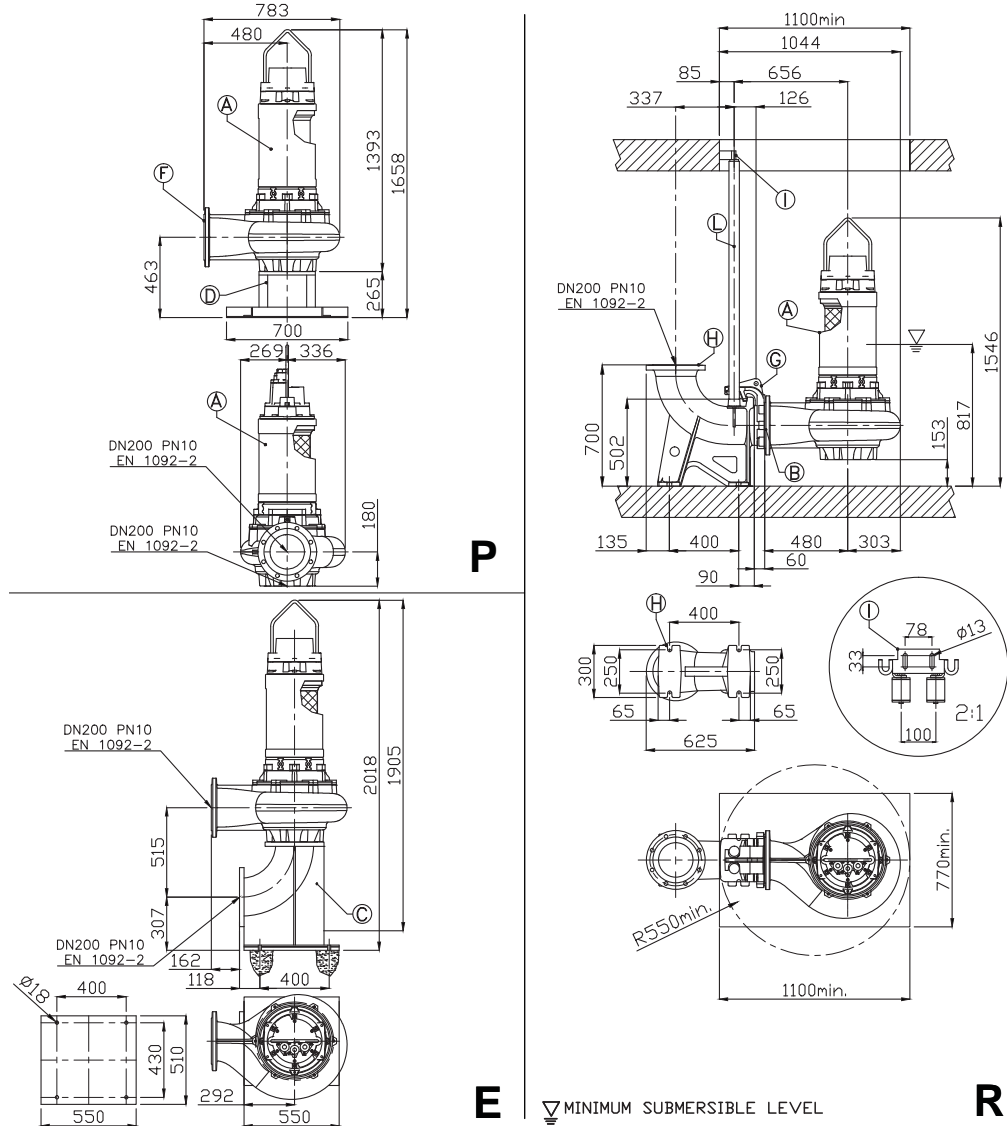


| Size<br>DA         | Model         | Output<br>[kW] | Weight<br>[kg] |
|--------------------|---------------|----------------|----------------|
| DN150<br>EN 1092-2 | 150DRD560T4GG | 60.0           | 745            |

| Pos.    | Description                             | Material         | Weight Kg |
|---------|-----------------------------------------|------------------|-----------|
| A       | Submersible Pump                        |                  | -         |
| B       | Rubber joint DN150                      | Neoprene         | -         |
| Type: E |                                         |                  |           |
| C       | Suction elbow 90°                       | Galvanized Steel | 59        |
| Type: P |                                         |                  |           |
| D       | X foot rest                             | Galvanized Steel | 18        |
| F       | Delivery elbow 90° DN150                | G250 Cast-Iron   | 20        |
| Type: R |                                         |                  |           |
| G       | Double guide rail coupling flange DN150 | GS250 Cast-Iron  | 38        |
| H       | Double guide coupling feet DN150        | G250 Cast-Iron   | 60        |
| I       | Double guide rail upper support 2"      | Galvanized Steel | 1.9       |
| L       | Guide rail 2"                           | Galvanized Steel | -         |



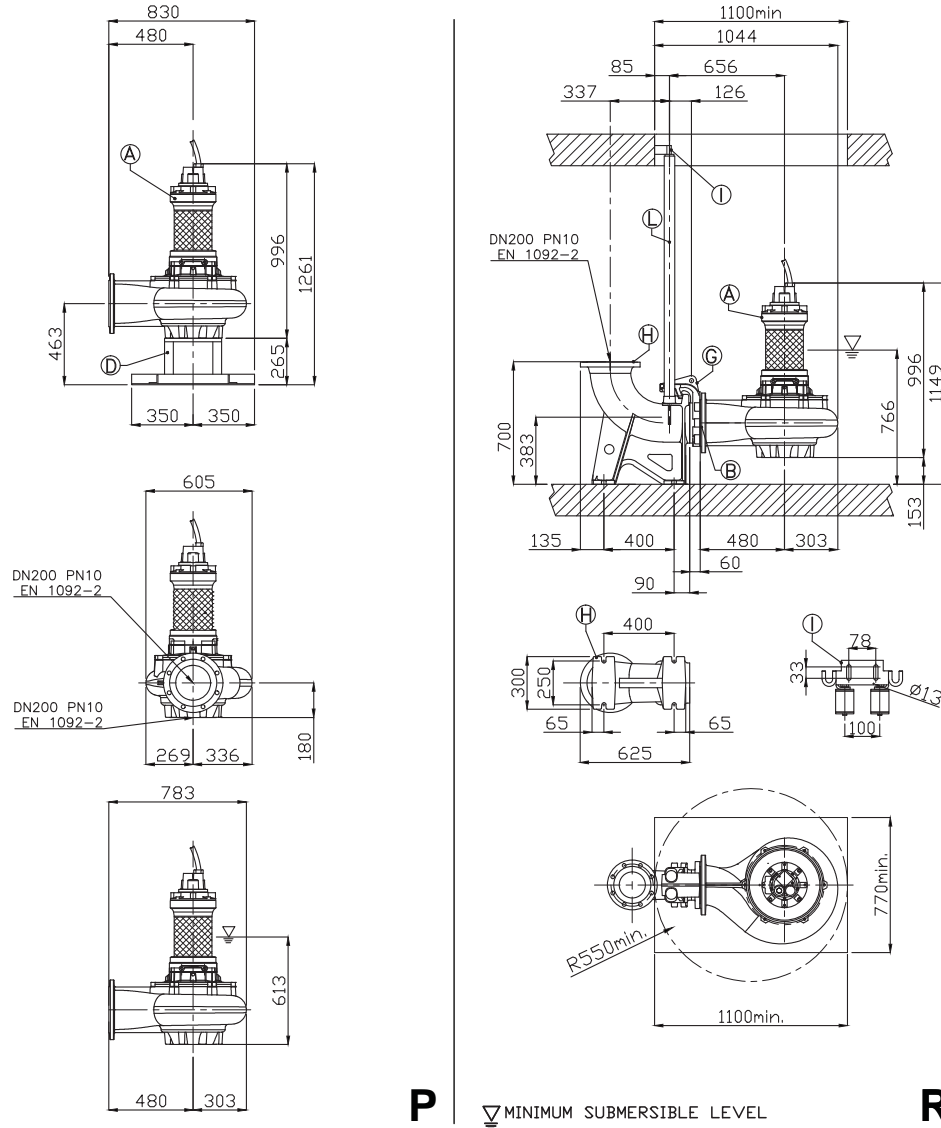
**200DRD/200DRD with QDC (6.0 ÷ 23.0 kW)**



| Size DA            | Model           | Output [kW] | Weight [kg] |
|--------------------|-----------------|-------------|-------------|
| DN200<br>EN 1092-2 | 200DRD56T8AG    | 6,0         | 430         |
|                    | 200DRD59.3T8CG  | 9,3         | 430         |
|                    | 200DRD59.3T8BG  | 9,3         | 435         |
|                    | 200DRD515.8T6CG | 15,8        | 460         |
|                    | 200DRD518.9T6BG | 18,9        | 460         |
|                    | 200DRD523T6AG   | 23,0        | 460         |

| Pos.    | Description                             | Material         | Weight Kg |
|---------|-----------------------------------------|------------------|-----------|
| A       | Submersible Pump                        |                  | -         |
| B       | Rubber joint DN200                      | Neoprene         | -         |
| Type: E |                                         |                  |           |
| C       | Suction elbow 90°                       | Galvanized Steel | 59        |
| Type: P |                                         |                  |           |
| D       | X foot rest                             | Galvanized Steel | 18        |
| Type: R |                                         |                  |           |
| G       | Double guide rail coupling flange DN200 | GS250 Cast-Iron  | 30        |
| H       | Double guide coupling feet DN200        | G250 Cast-Iron   | 120       |
| I       | Double guide rail upper support 2"      | Galvanized Steel | 1.9       |
| L       | Guide rail 2"                           | Galvanized Steel | 4.5       |

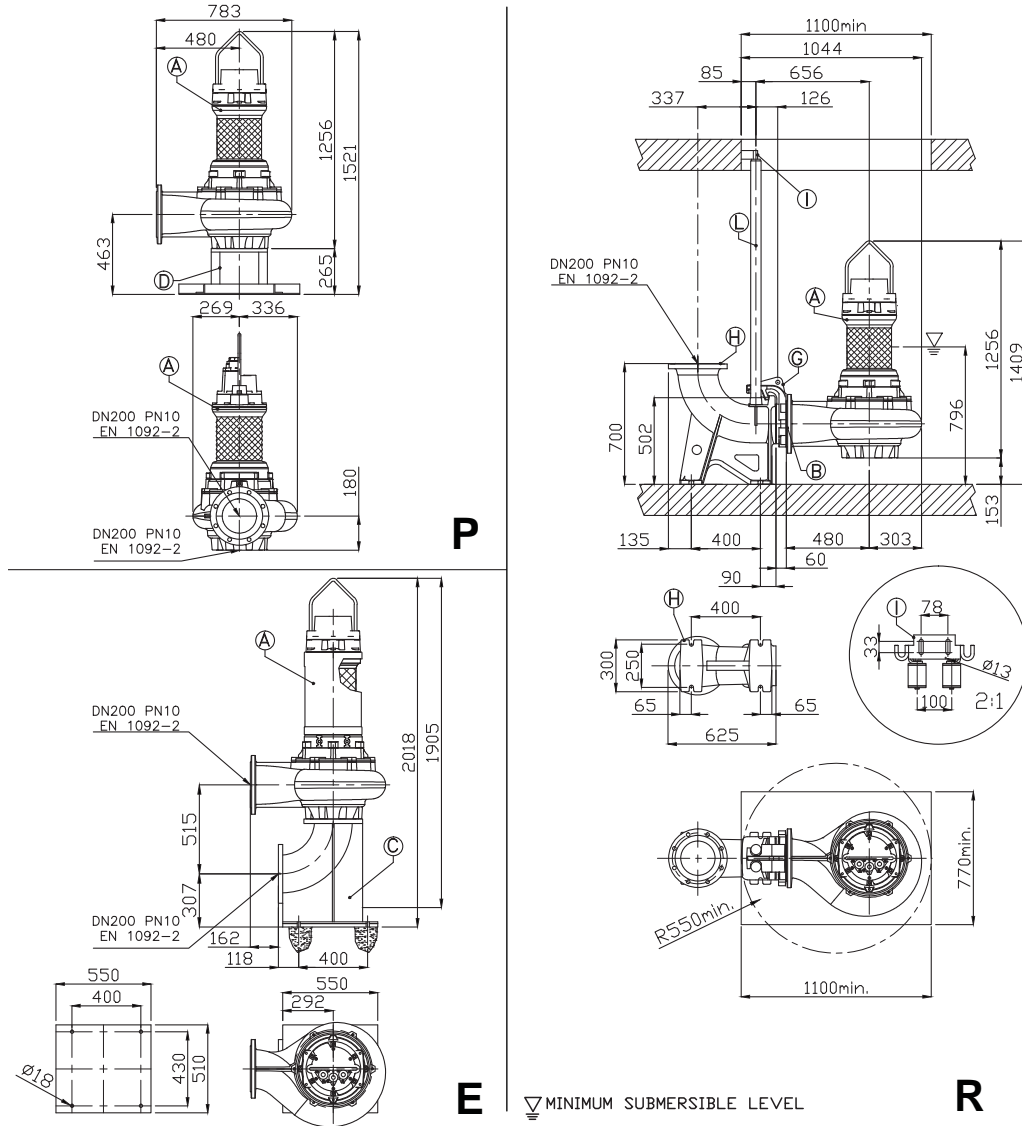
**200DRD/200DRD with QDC (6.2 ÷ 9.8 kW)**



| Size DA         | Model          | Output [kW] | Weight [kg] |
|-----------------|----------------|-------------|-------------|
| DN200 EN 1092-2 | 200DRD56.2T8CG | 6,2         | 330         |
|                 | 200DRD58T8AG   | 8,0         | 330         |
|                 | 200DRD59.8T6CG | 9,8         | 332         |

| Pos.    | Description                             | Material         | Weight Kg |
|---------|-----------------------------------------|------------------|-----------|
| A       | Submersible Pump                        |                  | -         |
| B       | Rubber joint DN200                      | Neoprene         | -         |
| Type: E |                                         |                  |           |
| C       | Suction elbow 90°                       | Galvanized Steel | 59        |
| Type: P |                                         |                  |           |
| D       | X foot rest                             | Galvanized Steel | 18        |
| Type: R |                                         |                  |           |
| G       | Double guide rail coupling flange DN200 | GS250 Cast-Iron  | 30        |
| H       | Double guide coupling feet DN200        | G250 Cast-Iron   | 120       |
| I       | Double guide rail upper support 2"      | Galvanized Steel | 1.9       |
| L       | Guide rail 2"                           | Galvanized Steel | 4.5       |

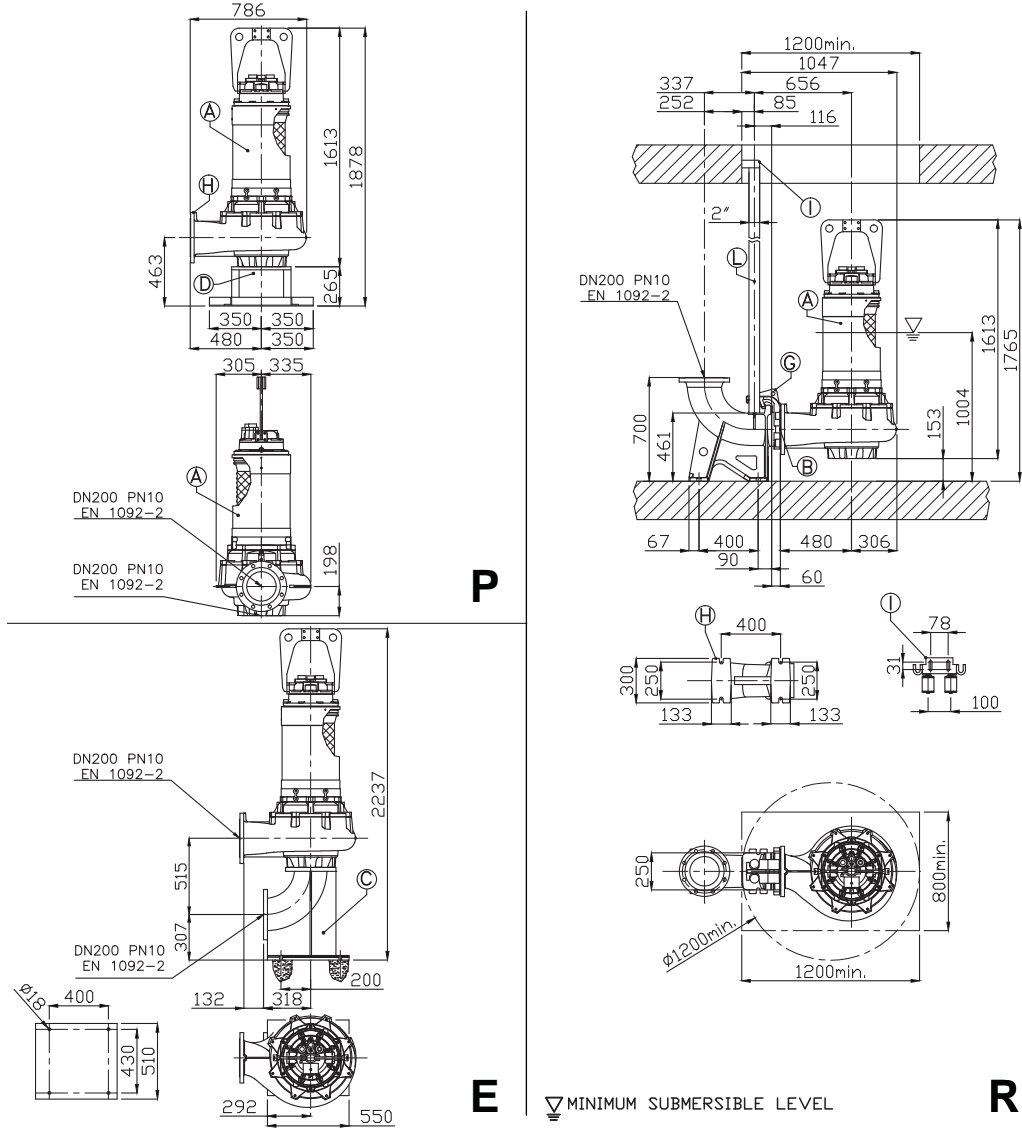
**200DRD/200DRD with QDC (14.0 kW)**



| Size DA   | Model         | Output [kW] | Weight [kg] |
|-----------|---------------|-------------|-------------|
| DN200     | 200DRD514T6BG | 14,0        | 385         |
| EN 1092-2 | 200DRD514T6AG | 14,0        | 382         |

| Pos.    | Description                             | Material         | Weight Kg |
|---------|-----------------------------------------|------------------|-----------|
| A       | Submersible Pump                        |                  | -         |
| B       | Rubber joint DN200                      | Neoprene         | -         |
| Type: E |                                         |                  |           |
| C       | Suction elbow 90°                       | Galvanized Steel | 59        |
| Type: P |                                         |                  |           |
| D       | X foot rest                             | Galvanized Steel | 18        |
| Type: R |                                         |                  |           |
| G       | Double guide rail coupling flange DN200 | GS250 Cast-Iron  | 30        |
| H       | Double guide coupling feet DN200        | G250 Cast-Iron   | 120       |
| I       | Double guide rail upper support 2"      | Galvanized Steel | 1.9       |
| L       | Guide rail 2"                           | Galvanized Steel | 4.5       |

**200DRD/200DRD with QDC (40.0 ÷ 48.0 kW)**

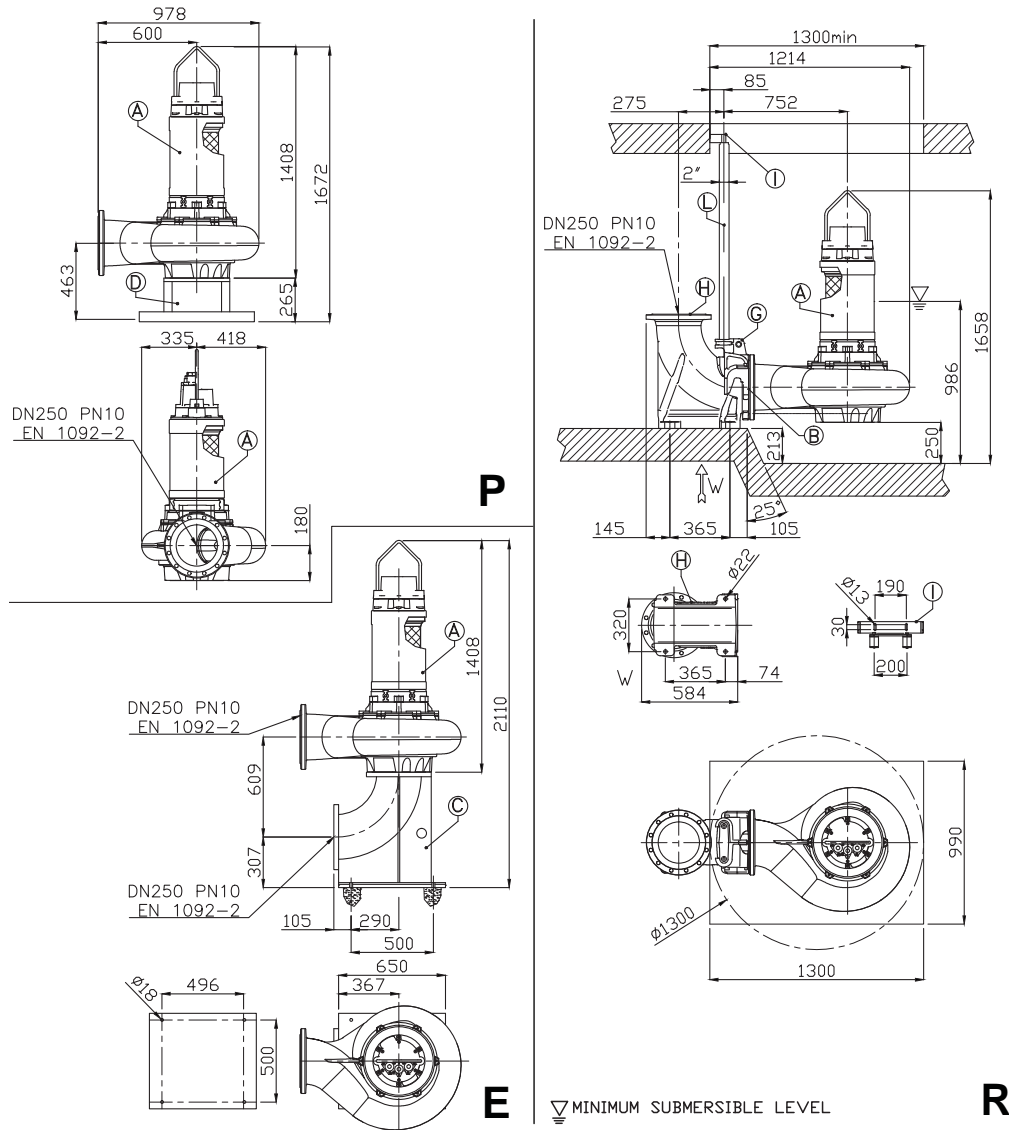


| Size DA         | Model         | Output [kW] | Weight [kg] |
|-----------------|---------------|-------------|-------------|
| DN200 EN 1092-2 | 200DRD540T4CG | 40.0        | 665         |
|                 | 200DRD544T4BG | 44.0        | 665         |
|                 | 200DRD548T4AG | 48.0        | 665         |

| Pos.    | Description                             | Material         | Weight Kg |
|---------|-----------------------------------------|------------------|-----------|
| A       | Submersible Pump                        |                  | -         |
| B       | Rubber joint DN200                      | Neoprene         | -         |
| Type: E |                                         |                  |           |
| C       | Suction elbow 90°                       | Galvanized Steel | 59        |
| Type: P |                                         |                  |           |
| D       | X foot rest                             | Galvanized Steel | 18        |
| Type: R |                                         |                  |           |
| G       | Double guide rail coupling flange DN200 | GS250 Cast-Iron  | 30        |
| H       | Double guide coupling feet DN200        | G250 Cast-Iron   | 60        |
| I       | Double guide rail upper support 2"      | Galvanized Steel | 1.9       |
| L       | Guide rail 2"                           | Galvanized Steel | 4.5       |



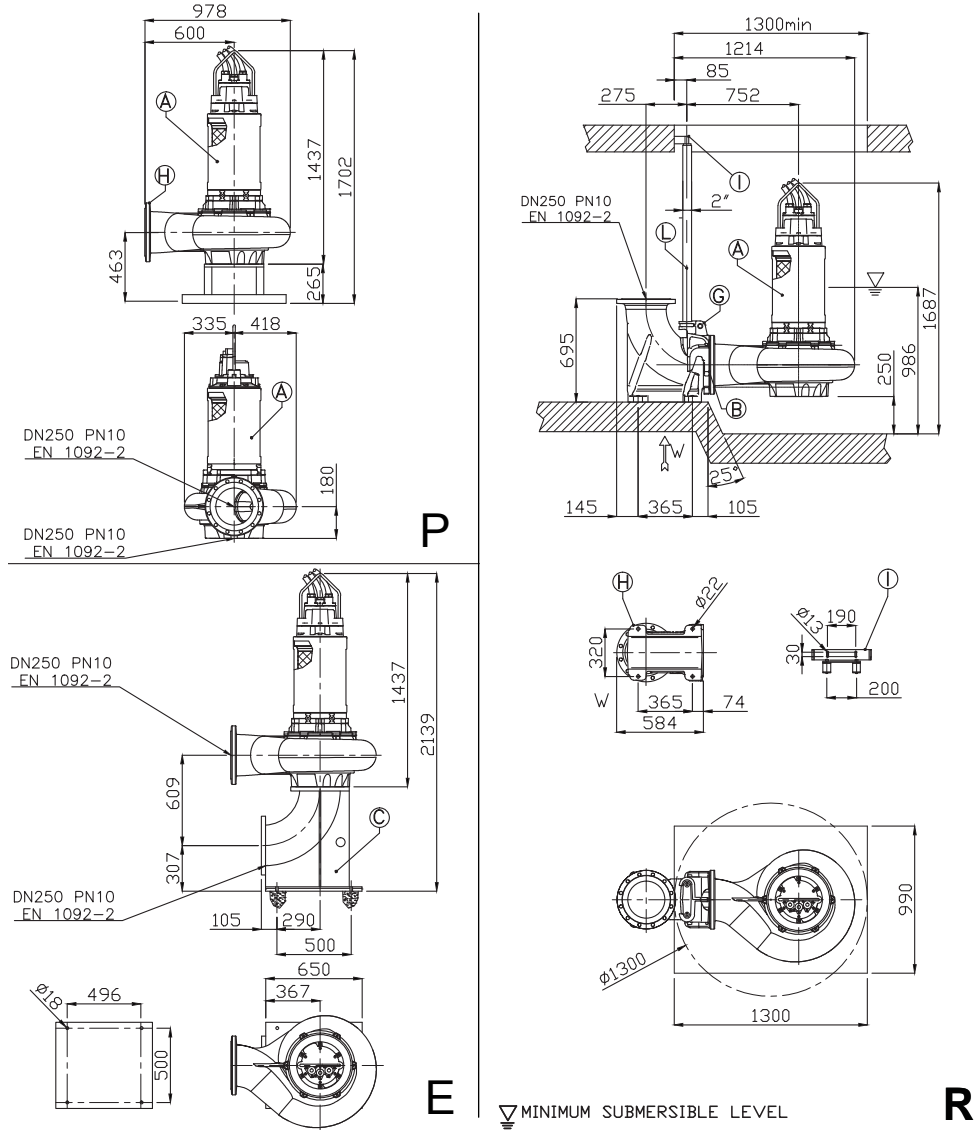
**250DRD/250DRD with QDC (12.4 ÷ 23.0 kW)**



| Size DA            | Model           | Output [kW] | Weight [kg] |
|--------------------|-----------------|-------------|-------------|
| DN250<br>EN 1092-2 | 250DRD512.4T8DG | 12,4        | 520         |
|                    | 250DRD517.1T8CG | 17,1        | 520         |
|                    | 250DRD523T6DG   | 23,0        | 530         |

| Pos.    | Description                             | Material         | Weight Kg |
|---------|-----------------------------------------|------------------|-----------|
| A       | Submersible Pump                        |                  | -         |
| B       | Rubber joint DN250                      | Neoprene         | -         |
| Type: E |                                         |                  |           |
| C       | Suction elbow 90°                       | Galvanized Steel | 65        |
| Type: P |                                         |                  |           |
| D       | X foot rest                             | Galvanized Steel | 20        |
| Type: R |                                         |                  |           |
| G       | Double guide rail coupling flange DN250 | GS250 Cast-Iron  | 36        |
| H       | Double guide coupling feet DN250        | G250 Cast-Iron   | 135       |
| I       | Double guide rail upper support 2"      | Galvanized Steel | 4.1       |
| L       | Guide rail 2"                           | Galvanized Steel | 4.5       |

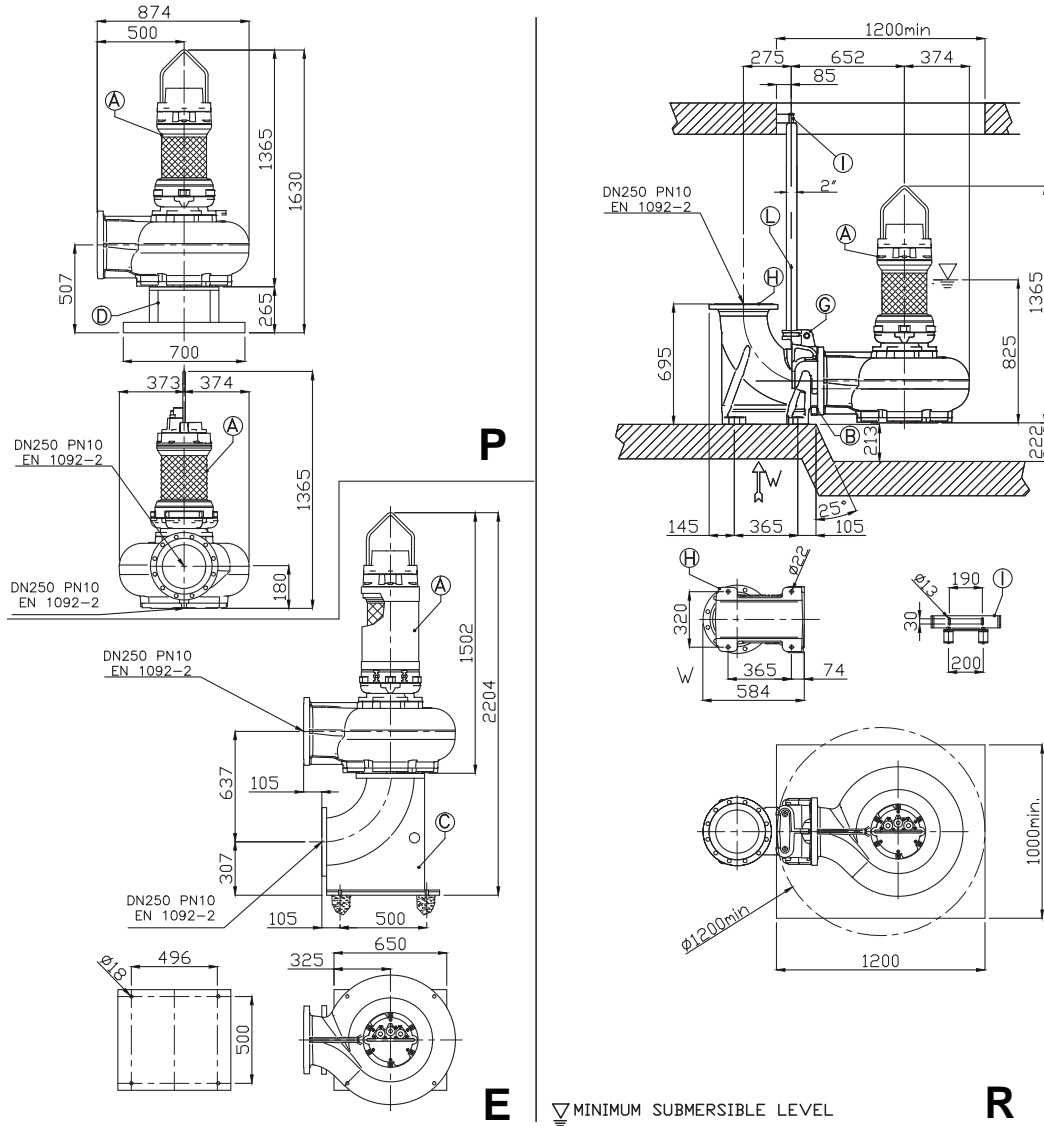
**250DRD/250DRD with QDC (19.0 ÷ 29.0 kW)**



| Size<br>DA | Model         | Output<br>[kW] | Weight<br>[kg] |
|------------|---------------|----------------|----------------|
| DN250      | 250DRD519T8AG | 19,0           | 600            |
| EN 1092-2  | 250DRD529T6CG | 29,0           | 590            |

| Pos.    | Description                             | Material         | Weight Kg |
|---------|-----------------------------------------|------------------|-----------|
| A       | Submersible Pump                        |                  | -         |
| B       | Rubber joint DN250                      | Neoprene         | -         |
| Type: E |                                         |                  |           |
| C       | Suction elbow 90°                       | Galvanized Steel | 65        |
| Type: P |                                         |                  |           |
| D       | X foot rest                             | Galvanized Steel | 20        |
| Type: R |                                         |                  |           |
| G       | Double guide rail coupling flange DN250 | GS250 Cast-Iron  | 36        |
| H       | Double guide coupling feet DN250        | G250 Cast-Iron   | 135       |
| I       | Double guide rail upper support 2"      | Galvanized Steel | 4.1       |
| L       | Guide rail 2"                           | Galvanized Steel | 4.5       |

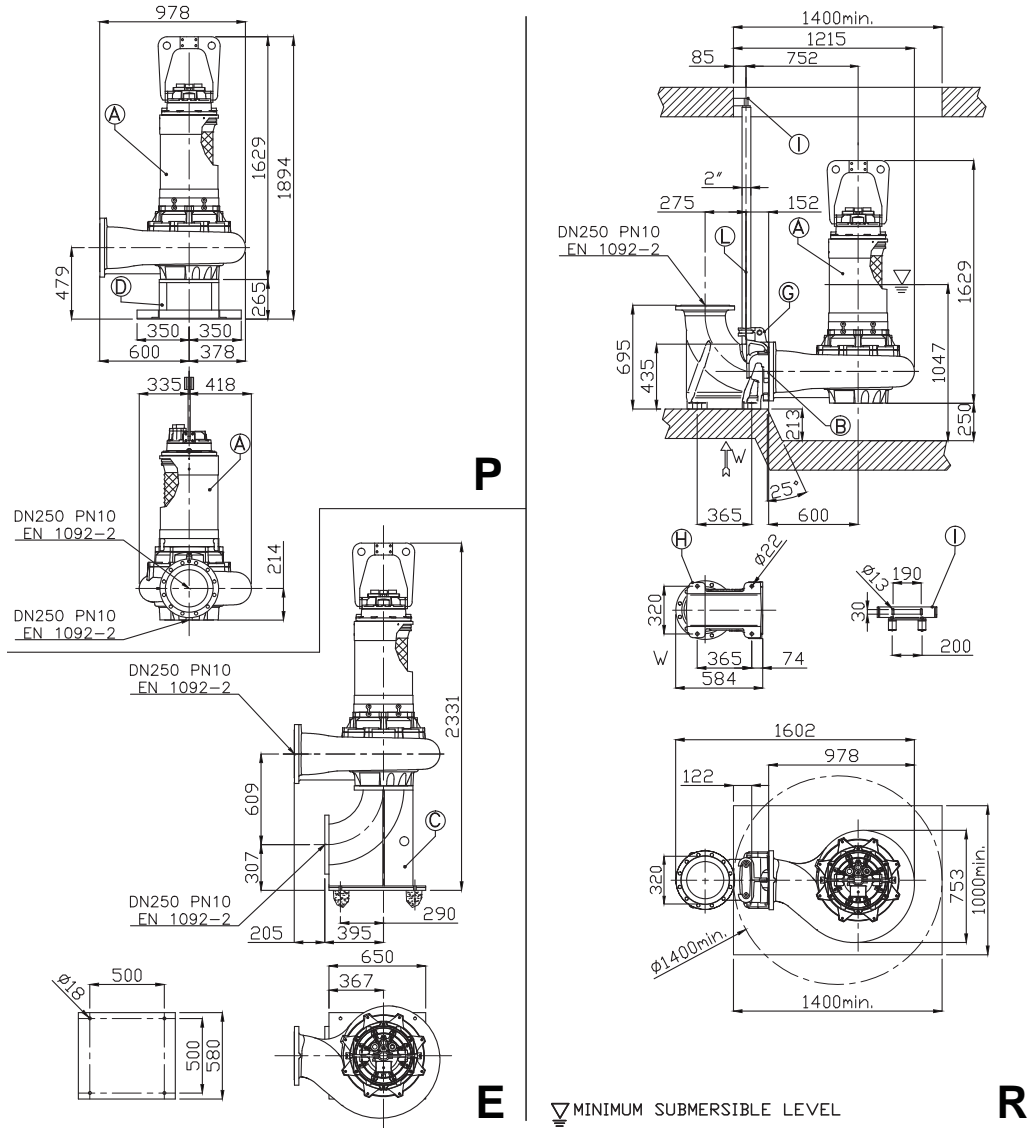
250DRD/250DRD with QDC (15.0 kW)



| Size<br>DA         | Model         | Output<br>[kW] | Weight<br>[kg] |
|--------------------|---------------|----------------|----------------|
| DN250<br>EN 1092-2 | 250DRD515T4AG | 15.0           | 440            |

| Pos.    | Description                             | Material         | Weight Kg |
|---------|-----------------------------------------|------------------|-----------|
| A       | Submersible Pump                        |                  | -         |
| B       | Rubber joint DN250                      | Neoprene         | -         |
| Type: E |                                         |                  |           |
| C       | Suction elbow 90°                       | Galvanized Steel | 65        |
| Type: P |                                         |                  |           |
| D       | X foot rest                             | Galvanized Steel | 20        |
| Type: R |                                         |                  |           |
| G       | Double guide rail coupling flange DN250 | GS250 Cast-Iron  | 36        |
| H       | Double guide coupling feet DN250        | G250 Cast-Iron   | 135       |
| I       | Double guide rail upper support 2"      | Galvanized Steel | 4.1       |
| L       | Guide rail 2"                           | Galvanized Steel | 4.5       |

**250DRD/250DRD with QDC (39.2 kW)**

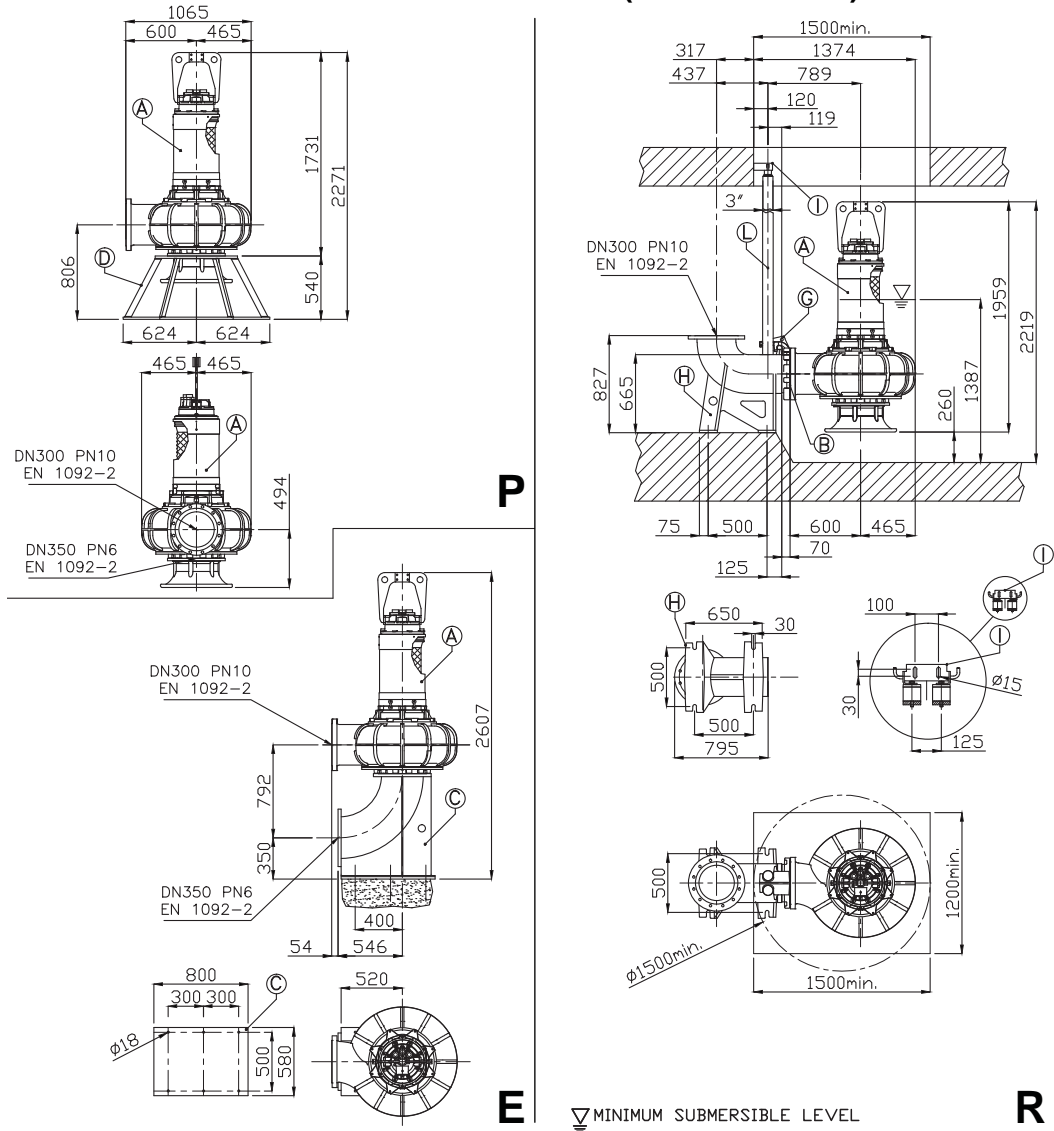


| Size DA   | Model           | Output [kW] | Weight [kg] |
|-----------|-----------------|-------------|-------------|
| DN250     | 250DRD539.2T6BG | 39,2        | 750         |
| EN 1092-2 | 250DRD539.2T6AG | 39,2        | 750         |

| Pos.    | Description                             | Material         | Weight Kg |
|---------|-----------------------------------------|------------------|-----------|
| A       | Submersible Pump                        |                  | -         |
| B       | Rubber joint DN250                      | Neoprene         | -         |
| Type: E |                                         |                  |           |
| C       | Suction elbow 90°                       | Galvanized Steel | 65        |
| Type: P |                                         |                  |           |
| D       | X foot rest                             | Galvanized Steel | 20        |
| Type: R |                                         |                  |           |
| G       | Double guide rail coupling flange DN250 | GS250 Cast-Iron  | 36        |
| H       | Double guide coupling feet DN250        | G250 Cast-Iron   | 135       |
| I       | Double guide rail upper support 2"      | Galvanized Steel | 4.1       |
| L       | Guide rail 2"                           | Galvanized Steel | 4.5       |



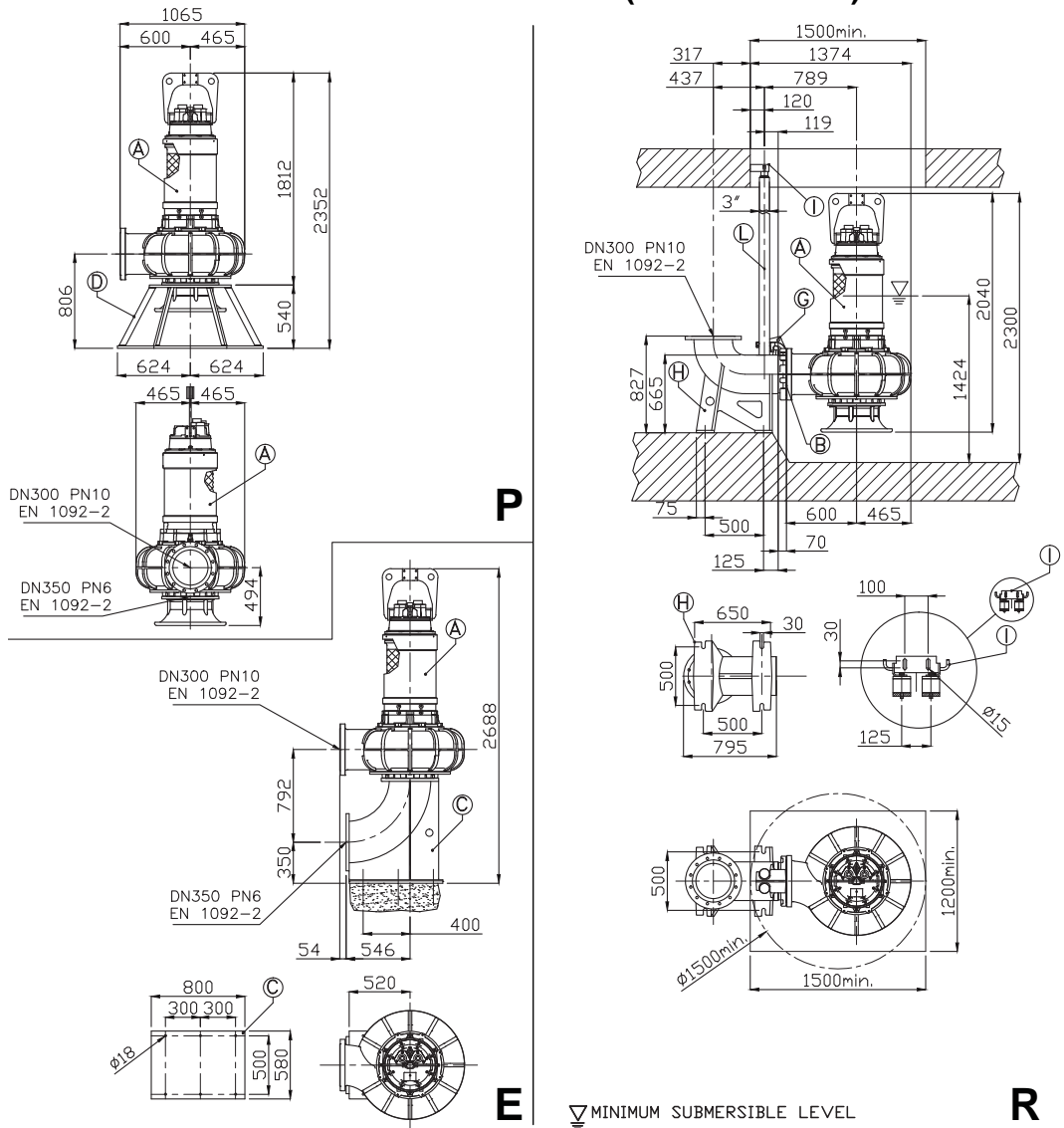
**300DRD/300DRD with QDC (21.8 ÷ 39.2 kW)**



| Size<br>DA         | Model           | Output<br>[kW] | Weight<br>[kg] |
|--------------------|-----------------|----------------|----------------|
| DN300<br>EN 1092-2 | 300DRD521.8T8BG | 21,8           | 1024           |
|                    | 300DRD526.7T8CG | 26,7           | 1024           |
|                    | 300DRD533.4T6DG | 33,4           | 1030           |
|                    | 300DRD539.2T6CG | 39,2           | 1030           |

| Pos.    | Description                             | Material         | Weight Kg |
|---------|-----------------------------------------|------------------|-----------|
| A       | Submersible Pump                        |                  | -         |
| B       | Rubber joint DN300                      | Neoprene         | -         |
| Type: E |                                         |                  |           |
| C       | Suction elbow 90°                       | Galvanized Steel | 200       |
| Type: P |                                         |                  |           |
| D       | X foot rest                             | Galvanized Steel | 135       |
| Type: R |                                         |                  |           |
| G       | Double guide rail coupling flange DN300 | GS250 Cast-Iron  | 40        |
| H       | Double guide coupling feet DN300        | G250 Cast-Iron   | 247       |
| I       | Double guide rail upper support 3"      | Galvanized Steel | 2.6       |
| L       | Guide rail 3"                           | Galvanized Steel | -         |

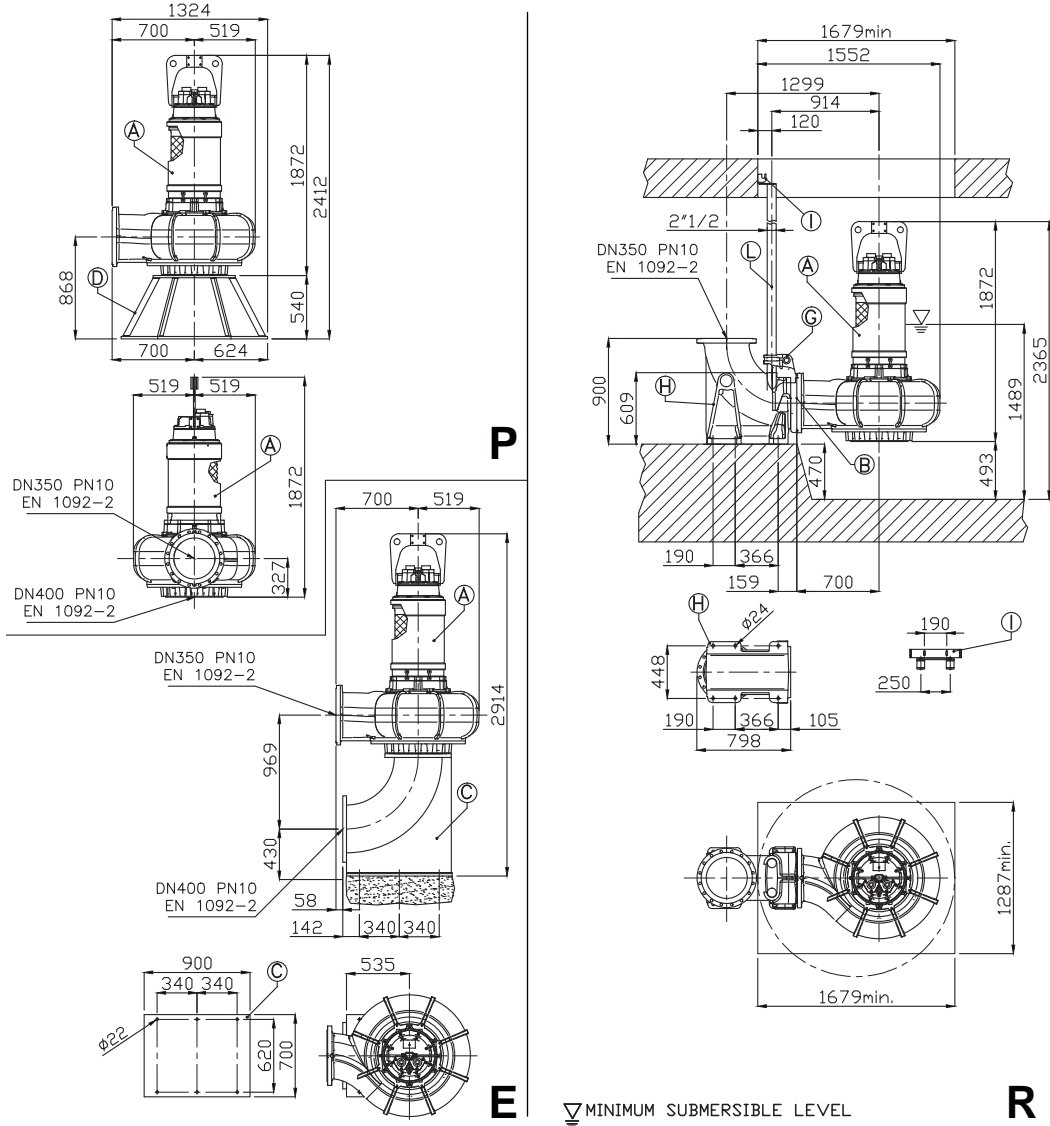
**300DRD/300DRD with QDC (55.8 ÷ 65.0 kW)**



| Size DA   | Model           | Output [kW] | Weight [kg] |
|-----------|-----------------|-------------|-------------|
| DN300     | 300DRD555.8T6BG | 55,8        | 1190        |
| EN 1092-2 | 300DRD565T6AG   | 65.0        | 1190        |

| Pos.    | Description                             | Material         | Weight Kg |
|---------|-----------------------------------------|------------------|-----------|
| A       | Submersible Pump                        |                  | -         |
| B       | Rubber joint DN300                      | Neoprene         | -         |
| Type: E |                                         |                  |           |
| C       | Suction elbow 90°                       | Galvanized Steel | 200       |
| Type: P |                                         |                  |           |
| D       | X foot rest                             | Galvanized Steel | 135       |
| Type: R |                                         |                  |           |
| G       | Double guide rail coupling flange DN300 | GS250 Cast-Iron  | 40        |
| H       | Double guide coupling feet DN300        | G250 Cast-Iron   | 247       |
| I       | Double guide rail upper support 3"      | Galvanized Steel | 2.6       |
| L       | Guide rail 3"                           | Galvanized Steel | -         |

350DRD/350DRD with QDC (40.0 ÷ 45.0 kW)



| Size DA   | Model         | Output [kW] | Weight [kg] |
|-----------|---------------|-------------|-------------|
| DN350     | 350DRD540T8CG | 40.0        | 1350        |
| EN 1092-2 | 350DRD545T8AG | 45.0        | 1350        |

| Pos.    | Description                             | Material         | Weight Kg |
|---------|-----------------------------------------|------------------|-----------|
| A       | Submersible Pump                        |                  | -         |
| B       | Rubber joint DN350                      | Neoprene         | -         |
| Type: E |                                         |                  |           |
| C       | Suction elbow 90°                       | Galvanized Steel | 210       |
| Type: P |                                         |                  |           |
| D       | X foot rest                             | Galvanized Steel | 135       |
| Type: R |                                         |                  |           |
| G       | Double guide rail coupling flange DN350 | GS250 Cast-Iron  | 86        |
| H       | Double guide coupling feet DN350        | G250 Cast-Iron   | 382       |
| I       | Double guide rail upper support 2" 1/2  | Galvanized Steel | 7         |
| L       | Guide rail 2" 1/2                       | Galvanized Steel | -         |



**DS, DVS (1.5÷3.7 kW) MOTOR DATA**

| Output [P <sub>2</sub> ] |                     | [kW]                 | 1.5                  |       |       | 2.2    |       |       | 3.7   |       |       |       |
|--------------------------|---------------------|----------------------|----------------------|-------|-------|--------|-------|-------|-------|-------|-------|-------|
| Resistance at 20° C      |                     | [Ω]                  | 11.973               |       |       | 4.942  |       |       | 2.647 |       |       |       |
| GD <sup>2</sup>          |                     | [kg·m <sup>2</sup> ] | 0.0057               |       |       | 0.0082 |       |       | 0.011 |       |       |       |
| Voltage                  |                     | [V]                  | 380                  | 400   | 415   | 380    | 400   | 415   | 380   | 400   | 415   |       |
| Load                     | 0%                  | Current              | [A]                  | 1.25  | 1.32  | 1.30   | 1.95  | 2.15  | 2.33  | 3.20  | 3.30  | 3.90  |
|                          |                     | Power                | [W]                  | 430   | 405   | 400    | 500   | 500   | 252   | 800   | 500   | 600   |
|                          | 75%                 | Current              | [A]                  | 2.92  | 2.62  | 2.61   | 4.07  | 4.06  | 3.82  | 7.07  | 6.32  | 6.45  |
|                          |                     | Efficiency           | [%]                  | 63.59 | 69.18 | 70.11  | 71.23 | 69.69 | 77.58 | 68.00 | 75.54 | 74.26 |
|                          |                     | Power factor         | [%]                  | 91.93 | 89.54 | 85.68  | 86.44 | 84.27 | 77.40 | 87.75 | 83.92 | 80.61 |
|                          |                     | Speed                | [min <sup>-1</sup> ] | 2872  | 2887  | 2898   | 2895  | 2901  | 2927  | 2890  | 2917  | 2922  |
|                          | 100%                | Current              | [A]                  | 3.70  | 3.30  | 3.30   | 5.10  | 5.00  | 4.60  | 8.80  | 7.80  | 7.80  |
|                          |                     | Efficiency           | [%]                  | 65.61 | 71.25 | 70.89  | 73.05 | 72.28 | 79.33 | 70.79 | 77.64 | 76.74 |
|                          |                     | Power factor         | [%]                  | 93.88 | 92.08 | 89.21  | 89.71 | 87.87 | 83.88 | 90.24 | 88.18 | 86.00 |
|                          |                     | Speed                | [min <sup>-1</sup> ] | 2821  | 2847  | 2854   | 2851  | 2864  | 2900  | 2847  | 2886  | 2890  |
|                          | Locked Rotor Torque |                      | [%]                  | 243   | 295   | 303    | 161   | 186   | 184   | 175   | 216   | 233   |
|                          | Start Current       |                      | [A]                  | 20.5  | 21.1  | 22.5   | 28.7  | 30.0  | 31.5  | 51.2  | 51.0  | 53.0  |
| No. starts per hour      |                     |                      | 10                   |       |       |        |       |       |       |       |       |       |
| Model                    |                     |                      | ZDSEU                |       |       |        |       |       |       |       |       |       |

**DS (5.5÷7.5 kW) MOTOR DATA**

|                          |                     |                      |                      |       |       |            |       |       |       |
|--------------------------|---------------------|----------------------|----------------------|-------|-------|------------|-------|-------|-------|
| Output [P <sub>2</sub> ] |                     | [kW]                 | <b>5.5</b>           |       |       | <b>7.5</b> |       |       |       |
| Resistance at 20° C      |                     | [Ω]                  | 2.001                |       |       | 1.345      |       |       |       |
| GD <sup>2</sup>          |                     | [kg·m <sup>2</sup> ] | 0.03                 |       |       | 0.037      |       |       |       |
| Voltage                  |                     | [V]                  | 380                  | 400   | 415   | 380        | 400   | 415   |       |
| Load                     | 0%                  | Current              | [A]                  | 3.00  | 2.70  | 2.70       | 3.65  | 3.20  | 3.27  |
|                          |                     | Power                | [W]                  | 340   | 800   | 340        | 400   | 800   | 400   |
|                          | 75%                 | Current              | [A]                  | 8.37  | 8.36  | 7.59       | 11.43 | 11.02 | 10.17 |
|                          |                     | Efficiency           | [%]                  | 82.89 | 77.34 | 83.68      | 83.36 | 79.51 | 84.44 |
|                          |                     | Power factor         | [%]                  | 90.37 | 92.05 | 90.40      | 89.70 | 92.68 | 91.14 |
|                          |                     | Speed                | [min <sup>-1</sup> ] | 2944  | 2932  | 2945       | 2941  | 2928  | 2942  |
|                          | 100%                | Current              | [A]                  | 10.80 | 10.80 | 9.80       | 14.80 | 14.30 | 13.20 |
|                          |                     | Efficiency           | [%]                  | 83.87 | 79.10 | 84.51      | 84.26 | 80.96 | 85.13 |
|                          |                     | Power factor         | [%]                  | 92.25 | 92.92 | 92.39      | 91.34 | 93.50 | 92.85 |
|                          |                     | Speed                | [min <sup>-1</sup> ] | 2922  | 2905  | 2923       | 2917  | 2900  | 2918  |
|                          | Locked Rotor Torque |                      | [%]                  | 168   | 155   | 168        | 159   | 154   | 159   |
|                          | Start Current       |                      | [A]                  | 77.0  | 70.0  | 70.0       | 105.0 | 93.5  | 94.0  |
| No. starts per hour      |                     |                      | 10                   |       |       |            |       |       |       |
| Model                    |                     |                      | ZDSEU                |       |       |            |       |       |       |

**DSF (1.1÷6.0 kW) MOTOR DATA**

|                          |                     |                      |                       |                       |                      |      |
|--------------------------|---------------------|----------------------|-----------------------|-----------------------|----------------------|------|
| Output [P <sub>2</sub> ] |                     | [kW]                 | 1.5                   | 1.9                   | 6                    |      |
| Resistance at 20° C      |                     | [Ω]                  | -                     | -                     | -                    |      |
| GD <sup>2</sup>          |                     | [kg·m <sup>2</sup> ] | 0.0021                | 0.0025                | 0.015                |      |
| Voltage                  |                     | [V]                  | 230                   | 230                   | 400/690              |      |
| Load                     | 0%                  | Current              | [A]                   | -                     | -                    | -    |
|                          |                     | Power                | [W]                   | -                     | -                    | -    |
|                          | 75%                 | Current              | [A]                   | -                     | -                    | -    |
|                          |                     | Efficiency           | [%]                   | 72                    | 80                   | 73   |
|                          |                     | Power factor         | [-]                   | 0.97                  | 0.97                 | 0.84 |
|                          |                     | Speed                | [min <sup>-1</sup> ]  | -                     | -                    | -    |
|                          | 100%                | Current              | [A]                   | -                     | -                    | -    |
|                          |                     | Efficiency           | [%]                   | 73                    | 73                   | 90   |
|                          |                     | Power factor         | [-]                   | 0.99                  | 0.99                 | 0.88 |
|                          |                     | Speed                | [min <sup>-1</sup> ]  | -                     | -                    | -    |
|                          | Locked Rotor Torque |                      | [%]                   | -                     | -                    | -    |
|                          | Start Current       |                      | [A]                   | 33.3                  | 35                   | 64.3 |
| Phase                    |                     |                      | 1                     |                       | 3                    |      |
| No. starts per hour      |                     |                      | 15                    |                       |                      |      |
| Motor Model              |                     |                      | M271M-1.5-230/50NY-IE | M271M-1.9-230/50NY-IE | M210T-6-400/50YY-IE3 |      |
| Pump Type                |                     |                      | 40DSF51.5M2CG         | 40DSF51.9M2AG         | 40DSF56T2AG          |      |

**DL, DL W/C (1.5÷3.7 kW) MOTOR DATA**

|                          |                     |                      |                      |       |       |       |       |       |       |       |       |       |
|--------------------------|---------------------|----------------------|----------------------|-------|-------|-------|-------|-------|-------|-------|-------|-------|
| Output [P <sub>2</sub> ] |                     | [kW]                 | 1.5                  |       |       | 2.2   |       |       | 3.7   |       |       |       |
| Resistance at 20° C      |                     | [Ω]                  | 8.466                |       |       | 5.937 |       |       | 3.447 |       |       |       |
| GD <sup>2</sup>          |                     | [kg·m <sup>2</sup> ] | 0.013                |       |       | 0.025 |       |       | 0.04  |       |       |       |
| Voltage                  |                     | [V]                  | 380                  | 400   | 415   | 380   | 400   | 415   | 380   | 400   | 415   |       |
| Load                     | 0%                  | Current              | [A]                  | 2.3   | 2.51  | 2,746 | 2.65  | 2.85  | 3.2   | 3.5   | 3.65  | 3.9   |
|                          |                     | Power                | [W]                  | 500   | 420   | 546   | 650   | 450   | 420   | 650   | 800   | 450   |
|                          | 75%                 | Current              | [A]                  | 3.47  | 3.37  | 3.56  | 4.65  | 4.34  | 4.46  | 6.70  | 6.73  | 6.25  |
|                          |                     | Efficiency           | [%]                  | 62.67 | 70.31 | 62.99 | 63.89 | 69.75 | 69.23 | 73.21 | 69.72 | 76.38 |
|                          |                     | Power factor         | [%]                  | 78.70 | 68.43 | 69.87 | 84.32 | 78.63 | 74.40 | 85.95 | 85.37 | 80.93 |
|                          |                     | Speed                | [min <sup>-1</sup> ] | 1438  | 1449  | 1446  | 1440  | 1452  | 1458  | 1447  | 1449  | 1455  |
|                          | 100%                | Current              | [A]                  | 4.10  | 3.90  | 4.10  | 5.70  | 5.20  | 5.20  | 8.40  | 8.30  | 7.60  |
|                          |                     | Efficiency           | [%]                  | 65.69 | 72.58 | 65.73 | 66.44 | 72.31 | 71.82 | 74.67 | 72.09 | 77.98 |
|                          |                     | Power factor         | [%]                  | 84.62 | 76.54 | 77.83 | 88.26 | 84.45 | 81.96 | 89.62 | 89.25 | 86.85 |
|                          |                     | Speed                | [min <sup>-1</sup> ] | 1414  | 1432  | 1426  | 1417  | 1437  | 1443  | 1427  | 1430  | 1440  |
|                          | Locked Rotor Torque |                      | [%]                  | 319   | 378   | 385   | 216   | 277   | 301   | 229   | 275   | 296   |
|                          | Start Current       |                      | [A]                  | 23.70 | 24.50 | 23.60 | 29.30 | 30.00 | 32.00 | 49.40 | 47.50 | 49.00 |
| No. starts per hour      |                     |                      | 10                   |       |       |       |       |       |       |       |       |       |
| Model                    |                     |                      | ZDLEU                |       |       |       |       |       |       |       |       |       |

**DL (5.5÷11 kW), DL W/C (5.5÷7.5 kW) MOTOR DATA**

| Output [P <sub>2</sub> ] |                     | [kW]                 | 5.5                  |       |       | 7.5   |        |        | 11     |       |       |       |
|--------------------------|---------------------|----------------------|----------------------|-------|-------|-------|--------|--------|--------|-------|-------|-------|
| Resistance at 20° C      |                     | [Ω]                  | 2,339                |       |       | 1,513 |        |        | -      | 0.869 |       |       |
| GD <sup>2</sup>          |                     | [kg·m <sup>2</sup> ] | 0.061                |       |       | 0.071 |        |        | 0.12   |       |       |       |
| Voltage                  |                     | [V]                  | 380                  | 400   | 415   | 380   | 400    | 415    | 380    | 400   | 415   |       |
| Load                     | 0%                  | Current              | [A]                  | 4.9   | 4.3   | 4.5   | 7.85   | 6.5    | 7.1    | -     | 7.80  | 8.60  |
|                          |                     | Power                | [W]                  | 470   | 900   | 470   | 707    | 1200   | 707    | -     | 1500  | 790   |
|                          | 75%                 | Current              | [A]                  | 9.38  | 8.97  | 8.58  | 13.38  | 12.46  | 12.07  | -     | 17.03 | 16.81 |
|                          |                     | Efficiency           | [%]                  | 79.17 | 75.51 | 79.10 | 79.46  | 76.94  | 79.81  | -     | 80.39 | 81.35 |
|                          |                     | Power factor         | [%]                  | 84.39 | 87.90 | 84.53 | 80.38  | 84.72  | 81.25  | -     | 86.98 | 83.95 |
|                          |                     | Speed                | [min <sup>-1</sup> ] | 1464  | 1458  | 1464  | 1467   | 1463   | 1467   | -     | 1468  | 1470  |
|                          | 100%                | Current              | [A]                  | 11.70 | 11.30 | 10.70 | 16.40  | 15.50  | 14.80  | -     | 21.50 | 21.00 |
|                          |                     | Efficiency           | [%]                  | 80.42 | 77.14 | 80.38 | 80.98  | 78.64  | 81.26  | -     | 82.12 | 82.29 |
|                          |                     | Power factor         | [%]                  | 88.83 | 91.07 | 88.97 | 85.80  | 88.81  | 86.76  | -     | 89.92 | 88.56 |
|                          |                     | Speed                | [min <sup>-1</sup> ] | 1451  | 1442  | 1451  | 1455   | 1449   | 1455   | -     | 1456  | 1458  |
|                          | Locked Rotor Torque |                      | [%]                  | 271   | 249   | 271   | 288    | 272    | 288    | -     | 185   | 155   |
|                          | Start Current       |                      | [A]                  | 81.00 | 70.00 | 74.00 | 120.00 | 104.00 | 108.00 | -     | 121.0 | 128.0 |
| No. starts per hour      |                     |                      | 10                   |       |       |       |        |        | 6      |       |       |       |
| Model                    |                     |                      | ZDLEU                |       |       |       |        |        |        |       |       |       |

**DL (15÷22 kW) MOTOR DATA**

| Output [P <sub>2</sub> ] |                     | [kW]                 | 15                   |       |       | 18.5  |       |       | 22    |       |       |       |
|--------------------------|---------------------|----------------------|----------------------|-------|-------|-------|-------|-------|-------|-------|-------|-------|
| Resistance at 20° C      |                     | [Ω]                  | -                    | 0.677 |       | -     | 0.439 |       | -     | 0.376 |       |       |
| GD <sup>2</sup>          |                     | [kg·m <sup>2</sup> ] | 0.15                 |       |       | 0.25  |       |       | 0.28  |       |       |       |
| Voltage                  |                     | [V]                  | 380                  | 400   | 415   | 380   | 400   | 415   | 380   | 400   | 415   |       |
| Load                     | 0%                  | Current              | [A]                  | -     | 8.50  | 8.85  | -     | 12.80 | 15.10 | -     | 12.50 | 13.50 |
|                          |                     | Power                | [W]                  | -     | 1600  | 880   | -     | 2000  | 1300  | -     | 2000  | 965   |
|                          | 75%                 | Current              | [A]                  | -     | 22.13 | 21.11 | -     | 27.76 | 27.38 | -     | 32.73 | 31.37 |
|                          |                     | Efficiency           | [%]                  | -     | 81.59 | 84.15 | -     | 84.25 | 85.39 | -     | 82.74 | 85.54 |
|                          |                     | Power factor         | [%]                  | -     | 89.91 | 88.12 | -     | 85.61 | 82.55 | -     | 87.94 | 85.56 |
|                          |                     | Speed                | [min <sup>-1</sup> ] | -     | 1464  | 1464  | -     | 1477  | 1480  | -     | 1471  | 1473  |
|                          | 100%                | Current              | [A]                  | -     | 28.50 | 27.00 | -     | 35.00 | 34.00 | -     | 42.00 | 40.00 |
|                          |                     | Efficiency           | [%]                  | -     | 82.79 | 84.99 | -     | 85.77 | 86.79 | -     | 84.17 | 86.11 |
|                          |                     | Power factor         | [%]                  | -     | 91.76 | 90.93 | -     | 88.95 | 87.23 | -     | 89.82 | 88.86 |
|                          |                     | Speed                | [min <sup>-1</sup> ] | -     | 1450  | 1451  | -     | 1469  | 1472  | -     | 1460  | 1463  |
|                          | Locked Rotor Torque |                      | [%]                  | -     | 171   | 182   | -     | 171   | 185   | -     | 155   | 169   |
|                          | Start Current       |                      | [A]                  | -     | 160.0 | 167.0 | -     | 238.0 | 248.0 | -     | 265.0 | 265.0 |
| No. starts per hour      |                     |                      | 6                    |       |       |       |       |       |       |       |       |       |
| Model                    |                     |                      | ZDLEU                |       |       |       |       |       |       |       |       |       |

**DL (30÷45 kW) MOTOR DATA**

| Output [P <sub>2</sub> ] |                     | [kW]                 | 30                   |        |        | 37     |        |        | 45     |        |        |        |
|--------------------------|---------------------|----------------------|----------------------|--------|--------|--------|--------|--------|--------|--------|--------|--------|
| Resistance at 20° C      |                     | [Ω]                  | 0.236                |        |        | 0.152  |        |        | 0.117  |        |        |        |
| GD <sup>2</sup>          |                     | [kg·m <sup>2</sup> ] | 0.72                 |        |        | 1.11   |        |        | 1.32   |        |        |        |
| Voltage                  |                     | [V]                  | 380                  | 400    | 415    | 380    | 400    | 415    | 380    | 400    | 415    |        |
| Load                     | 0%                  | Current              | [A]                  | 20     | 23.7   | 27.3   | 25.4   | 31.4   | 36.3   | 29.7   | 36.2   | 41.9   |
|                          |                     | Power                | [W]                  | 925    | 1104   | 1332   | 1116   | 1584   | 1956   | 1320   | 1752   | 2172   |
|                          | 75%                 | Current              | [A]                  | 45.69  | 45.96  | 47.48  | 56.47  | 58.11  | 60.14  | 68.59  | 70.07  | 72.18  |
|                          |                     | Efficiency           | [%]                  | 89.77  | 89.48  | 87.78  | 91.33  | 90.25  | 89.33  | 90.25  | 88.93  | 88.13  |
|                          |                     | Power factor         | [%]                  | 83.35  | 78.97  | 75.10  | 81.75  | 76.38  | 71.87  | 82.84  | 78.17  | 73.81  |
|                          | 100%                | Speed                | [min <sup>-1</sup> ] | 1462   | 1464   | 1466   | 1479   | 1480   | 1481   | 1476   | 1478   | 1479   |
|                          |                     | Current              | [A]                  | 59.00  | 58.00  | 58.50  | 72.50  | 72.50  | 73.50  | 88.00  | 87.50  | 88.50  |
|                          |                     | Efficiency           | [%]                  | 89.28  | 89.39  | 88.21  | 91.57  | 90.89  | 90.29  | 90.63  | 89.83  | 89.28  |
|                          |                     | Power factor         | [%]                  | 86.41  | 83.45  | 80.60  | 84.64  | 80.95  | 77.56  | 85.56  | 82.33  | 79.12  |
|                          | Speed               |                      | [min <sup>-1</sup> ] | 1447   | 1451   | 1453   | 1470   | 1472   | 1473   | 1467   | 1470   | 1471   |
|                          | Locked Rotor Torque |                      | [%]                  | 245    | 272    | 294    | 154    | 171    | 184    | 156    | 173    | 186    |
|                          | Start Current       |                      | [A]                  | 356.50 | 377.40 | 393.20 | 390.70 | 413.90 | 431.30 | 497.80 | 527.40 | 549.70 |
| No. starts per hour      |                     |                      | 6                    |        |        |        |        |        |        |        |        |        |
| Model                    |                     |                      | ZDLEU                |        |        |        |        |        |        |        |        |        |

**DML, DMLV (2.2÷3.7 kW) MOTOR DATA**

| Output [P <sub>2</sub> ] |                     | [kW]                 | <b>2.2</b>           |       |       | <b>3.7</b> |       |       |       |
|--------------------------|---------------------|----------------------|----------------------|-------|-------|------------|-------|-------|-------|
| Resistance at 20° C      |                     | [Ω]                  | 7.015                |       |       | 3.623      |       |       |       |
| GD <sup>2</sup>          |                     | [kg·m <sup>2</sup> ] | 0.02                 |       |       | 0.03       |       |       |       |
| Voltage                  |                     | [V]                  | 380                  | 400   | 415   | 380        | 400   | 415   |       |
| Load                     | 0%                  | Current              | [A]                  | 2.13  | 2.52  | 2.81       | 3.29  | 3.88  | 4.45  |
|                          |                     | Power                | [W]                  | 450   | 480   | 580        | 620   | 780   | 840   |
|                          | 75%                 | Current              | [A]                  | 4.33  | 4.21  | 4.32       | 6.79  | 6.77  | 6.95  |
|                          |                     | Efficiency           | [%]                  | 67.11 | 68.45 | 67.13      | 72.12 | 71.40 | 69.56 |
|                          |                     | Power factor         | [%]                  | 86.20 | 82.63 | 79.22      | 86.08 | 82.84 | 79.82 |
|                          | 100%                | Speed                | [min <sup>-1</sup> ] | 1428  | 1437  | 1442       | 1439  | 1443  | 1447  |
|                          |                     | Current              | [A]                  | 5.50  | 5.20  | 5.20       | 8.60  | 8.40  | 8.40  |
|                          |                     | Efficiency           | [%]                  | 67.56 | 69.50 | 68.98      | 72.79 | 72.71 | 71.61 |
|                          |                     | Power factor         | [%]                  | 89.53 | 87.56 | 85.08      | 89.58 | 87.44 | 85.44 |
|                          | Speed               |                      | [min <sup>-1</sup> ] | 1400  | 1411  | 1421       | 1416  | 1422  | 1428  |
|                          | Locked Rotor Torque |                      | [%]                  | 182   | 204   | 221        | 203   | 226   | 244   |
|                          | Start Current       |                      | [A]                  | 24.30 | 25.70 | 26.70      | 45.50 | 48.10 | 50.00 |
| No. starts per hour      |                     |                      | 10                   |       |       |            |       |       |       |
| Model                    |                     |                      | ZDMEU                |       |       |            |       |       |       |



**DML, DMLV (5.5÷11 kW) MOTOR DATA**

| Output [P <sub>2</sub> ] |                     | [kW]                 | 5.5                  |       |       | 7.5   |        |        | 11     |        |        |        |
|--------------------------|---------------------|----------------------|----------------------|-------|-------|-------|--------|--------|--------|--------|--------|--------|
| Resistance at 20° C      |                     | [Ω]                  | 1.920                |       |       | 1.326 |        |        | 0.862  |        |        |        |
| GD <sup>2</sup>          |                     | [kg·m <sup>2</sup> ] | 0.059                |       |       | 0.076 |        |        | 0.120  |        |        |        |
| Voltage                  |                     | [V]                  | 380                  | 400   | 415   | 380   | 400    | 415    | 380    | 400    | 415    |        |
| Load                     | 0%                  | Current              | [A]                  | 5.56  | 6.67  | 7.64  | 6.93   | 8.41   | 9.70   | 8.49   | 10.15  | 11.85  |
|                          |                     | Power                | [W]                  | 900   | 1200  | 1330  | 1200   | 1300   | 1600   | 1100   | 1450   | 1800   |
|                          | 75%                 | Current              | [A]                  | 10.30 | 10.51 | 10.83 | 13.65  | 14.06  | 14.48  | 18.26  | 19.27  | 19.66  |
|                          |                     | Efficiency           | [%]                  | 73.72 | 72.26 | 71.38 | 75.24  | 76.86  | 71.60  | 81.12  | 75.49  | 74.70  |
|                          |                     | Power factor         | [%]                  | 82.50 | 78.43 | 74.23 | 83.20  | 75.16  | 75.46  | 84.63  | 81.87  | 78.15  |
|                          |                     | Speed                | [min <sup>-1</sup> ] | 1454  | 1456  | 1460  | 1461   | 1460   | 1466   | 1462   | 1461   | 1465   |
|                          | 100%                | Current              | [A]                  | 12.70 | 12.60 | 12.70 | 16.90  | 16.90  | 17.10  | 23.50  | 23.80  | 23.80  |
|                          |                     | Efficiency           | [%]                  | 75.37 | 74.50 | 74.06 | 76.89  | 79.01  | 74.60  | 81.65  | 77.41  | 77.06  |
|                          |                     | Power factor         | [%]                  | 87.04 | 84.27 | 81.03 | 87.39  | 80.89  | 81.76  | 87.68  | 85.82  | 83.31  |
|                          |                     | Speed                | [min <sup>-1</sup> ] | 1437  | 1440  | 1445  | 1445   | 1447   | 1455   | 1447   | 1446   | 1451   |
|                          | Locked Rotor Torque |                      | [%]                  | 227   | 252   | 272   | 231    | 256    | 278    | 154    | 170    | 184    |
|                          | Start Current       |                      | [A]                  | 78.00 | 82.60 | 87.80 | 110.20 | 116.50 | 121.70 | 128.20 | 136.00 | 141.90 |
| No. starts per hour      |                     |                      | 10                   |       |       |       |        |        | 7      |        |        |        |
| Model                    |                     |                      | ZDMEU                |       |       |       |        |        |        |        |        |        |

**DML/DMLV (15÷22 kW) MOTOR DATA**

| Output [P <sub>2</sub> ] |                     | [kW]                 | 15                   |        |        | 22     |        |        |        |
|--------------------------|---------------------|----------------------|----------------------|--------|--------|--------|--------|--------|--------|
| Resistance at 20° C      |                     | [Ω]                  | 0.563                |        |        | 0.308  |        |        |        |
| GD <sup>2</sup>          |                     | [kg·m <sup>2</sup> ] | 0.16                 |        |        | 0.34   |        |        |        |
| Voltage                  |                     | [V]                  | 380                  | 400    | 415    | 380    | 400    | 415    |        |
| Load                     | 0%                  | Current              | [A]                  | 10.8   | 13.13  | 15.08  | 13.37  | 16.27  | 18.82  |
|                          |                     | Power                | [W]                  | 1220   | 1650   | 2000   | 1500   | 2000   | 2100   |
|                          | 75%                 | Current              | [A]                  | 24.86  | 25.03  | 25.59  | 33.90  | 33.38  | 34.04  |
|                          |                     | Efficiency           | [%]                  | 79.66  | 78.43  | 77.65  | 84.98  | 85.54  | 83.88  |
|                          |                     | Power factor         | [%]                  | 86.32  | 82.71  | 78.78  | 87.01  | 83.40  | 80.41  |
|                          |                     | Speed                | [min <sup>-1</sup> ] | 1465   | 1464   | 1467   | 1473   | 1475   | 1474   |
|                          | 100%                | Current              | [A]                  | 31.50  | 31.00  | 31.00  | 43.50  | 42.00  | 42.00  |
|                          |                     | Efficiency           | [%]                  | 80.84  | 80.23  | 79.78  | 85.80  | 86.52  | 85.34  |
|                          |                     | Power factor         | [%]                  | 89.13  | 86.77  | 84.16  | 89.33  | 87.27  | 85.16  |
|                          |                     | Speed                | [min <sup>-1</sup> ] | 1449   | 1451   | 1455   | 1462   | 1466   | 1466   |
|                          | Locked Rotor Torque |                      | [%]                  | 176    | 195    | 211    | 155    | 172    | 185    |
|                          | Start Current       |                      | [A]                  | 199.80 | 211.90 | 220.90 | 299.80 | 318.50 | 332.70 |
| No. starts per hour      |                     |                      | 7                    |        |        |        |        |        |        |
| Model                    |                     |                      | ZDMEU                |        |        |        |        |        |        |

**DMLF (1.4÷1.9 kW) MOTOR DATA**

|                          |                     |                      |                       |                       |                       |      |
|--------------------------|---------------------|----------------------|-----------------------|-----------------------|-----------------------|------|
| Output [P <sub>2</sub> ] |                     | [kW]                 | 1.4                   | 1.5                   | 1.9                   |      |
| Resistance at 20° C      |                     | [Ω]                  | -                     | -                     | -                     |      |
| GD <sup>2</sup>          |                     | [kg·m <sup>2</sup> ] | 0.0011                | 0.0039                | 0.0078                |      |
| Voltage                  |                     | [V]                  | 230                   | 230                   | 230                   |      |
| Load                     | 0%                  | Current              | [A]                   | -                     | -                     | -    |
|                          |                     | Power                | [W]                   | -                     | -                     | -    |
|                          | 75%                 | Current              | [A]                   | -                     | -                     | -    |
|                          |                     | Efficiency           | [%]                   | 72                    | 72                    | 73   |
|                          |                     | Power factor         | [-]                   | 0.97                  | 0.97                  | 0.97 |
|                          |                     | Speed                | [min <sup>-1</sup> ]  | -                     | -                     | -    |
|                          | 100%                | Current              | [A]                   | -                     | -                     | -    |
|                          |                     | Efficiency           | [%]                   | 73                    | 73                    | 73   |
|                          |                     | Power factor         | [-]                   | 0.99                  | 0.99                  | 0.99 |
|                          |                     | Speed                | [min <sup>-1</sup> ]  | -                     | -                     | -    |
|                          | Locked Rotor Torque |                      | [%]                   | -                     | -                     | -    |
|                          | Start Current       |                      | [A]                   | 31.1                  | 33.3                  | 62.7 |
| Poles                    |                     |                      | 2                     |                       |                       |      |
| Phase                    |                     |                      | 1                     |                       |                       |      |
| No. starts per hour      |                     |                      | 15                    |                       |                       |      |
| Motor Model              |                     |                      | M272M-1.4-230/50NY-IE | M272M-1.5-230/50NY-IE | M272M-1.9-230/50NY-IE |      |
| Pump Type                |                     |                      | 50DMLF51.4M2BG        | 65DMLF51.5M2AG        | 65DMLF51.9M2BG        |      |

**DMLVF (0.5÷18.2 kW) MOTOR DATA**

|                          |                      |                      |                       |                       |                 |                       |                       |                        |                         |                         |                        |      |
|--------------------------|----------------------|----------------------|-----------------------|-----------------------|-----------------|-----------------------|-----------------------|------------------------|-------------------------|-------------------------|------------------------|------|
| Output [P <sub>2</sub> ] |                      | [kW]                 | 0.5                   | 1.5                   | 1.5             | 1.9                   | 1.5                   | 4.9                    | 16.6                    | 18.2                    | 5.2                    |      |
| Resistance at 20° C      |                      | [Ω]                  | -                     | -                     | -               | -                     | -                     | -                      | -                       | -                       | -                      |      |
| GD <sup>2</sup>          |                      | [kg·m <sup>2</sup> ] | 0.0006                | 0.0052                | 0.0056          | 0.0066                | 0.0005                | 0.0438                 | 0.0586                  | 0.051                   | 0.1331                 |      |
| Voltage                  |                      | [V]                  | 230                   | 230                   | 230             | 230                   | 230                   | 400/690                | 400/690                 | 400/690                 | 400/690                |      |
| Load                     | 0%                   | Current              | [A]                   | -                     | -               | -                     | -                     | -                      | -                       | -                       | -                      |      |
|                          |                      | Power                | [W]                   | -                     | -               | -                     | -                     | -                      | -                       | -                       | -                      |      |
|                          |                      | Current              | [A]                   | -                     | -               | -                     | -                     | -                      | -                       | -                       | -                      |      |
|                          | 75%                  | Efficiency           | [%]                   | 67                    | 72              | 72                    | 73                    | 72                     | 74                      | 92                      | 92                     | 88   |
|                          |                      | Power factor         | [-]                   | 0.96                  | 0.97            | 0.97                  | 0.97                  | 0.97                   | 0.9                     | 0.82                    | 0.82                   | 0.73 |
|                          |                      | Speed                | [min <sup>-1</sup> ]  | -                     | -               | -                     | -                     | -                      | -                       | -                       | -                      | -    |
|                          | 100%                 | Current              | [A]                   | -                     | -               | -                     | -                     | -                      | -                       | -                       | -                      | -    |
|                          |                      | Efficiency           | [%]                   | 70                    | 73              | 73                    | 73                    | 73                     | 0.8                     | 92                      | 93                     | 89   |
|                          |                      | Power factor         | [-]                   | 0.98                  | 0.99            | 0.99                  | 0.99                  | 0.99                   | 0.9                     | 0.87                    | 0.87                   | 0.81 |
| Speed                    | [min <sup>-1</sup> ] | -                    | -                     | -                     | -               | -                     | -                     | -                      | -                       | -                       |                        |      |
| Locked Rotor Torque      |                      | [%]                  | -                     | -                     | -               | -                     | -                     | -                      | -                       | -                       | -                      |      |
| Start Current            |                      | [A]                  | 3.2                   | 33.3                  | 33.3            | 62.7                  | 33.3                  | 49.5                   | 175.8                   | 192.3                   | 61.4                   |      |
| Poles                    |                      |                      | 2                     |                       |                 |                       | 4                     |                        | 2                       |                         | 6                      |      |
| Phase                    |                      |                      | 1                     |                       |                 |                       | 3                     |                        | 3                       |                         |                        |      |
| No. starts per hour      |                      |                      | 15                    |                       |                 |                       |                       |                        |                         |                         |                        |      |
| Motor Model              |                      |                      | M206M-0.5-230/50NY-IE | M271M-1.5-230/50NY-IE |                 | M271M-1.9-230/50NY-IE | M271M-1.5-230/50NY-IE | M410T-4.9-400/50YY-IE3 | M213T-16.6-400/50YY-IE3 | M213T-18.2-400/50YY-IE3 | M611T-5.2-400/50YY-IE3 |      |
| Pump Type                |                      |                      | 40DMLVF50.5M2AG       | 50DMLVF51.5M2CG       | 50DMLVF51.5M2BG | 50DMLVF51.9M2AG       | 65DMLVF51.5M2CG       | 80DMLVF54.9T4AG        | 80DMLVF516.6T2BG        | 80DMLVF518.2T2DG        | 100DMLVF55.2T6BG       |      |

# SUBMERSIBLE PUMPS

# D SERIES

## MOTOR DATA

50 Hz

Rev. E

### DRS (1.1÷25.1- kW) MOTOR DATA

| Output [P <sub>2</sub> ] |                      | [kW]                 | 1.1                   | 1.1          | 1.1          | 1.1          | 1.5                   | 1.9          | 1.1                   | 1.1          | 1.4                   | 1.6          | 1.6                     | 2.4          | 3.1*                    | 4.2          | 5.0                     | 5.0          | 6.5                     | 7.5        | 9.0                     | 11.0         | 13.8*                  | 14.9         | 20                     | 22.4           | 25.1                   |              |                        |                |                      |  |                       |  |                         |  |                         |  |                       |  |                         |  |                         |  |
|--------------------------|----------------------|----------------------|-----------------------|--------------|--------------|--------------|-----------------------|--------------|-----------------------|--------------|-----------------------|--------------|-------------------------|--------------|-------------------------|--------------|-------------------------|--------------|-------------------------|------------|-------------------------|--------------|------------------------|--------------|------------------------|----------------|------------------------|--------------|------------------------|----------------|----------------------|--|-----------------------|--|-------------------------|--|-------------------------|--|-----------------------|--|-------------------------|--|-------------------------|--|
| Resistance at 20° C      |                      | [Ω]                  | -                     | -            | -            | -            | -                     | -            | -                     | -            | -                     | -            | -                       | -            | -                       | -            | -                       | -            | -                       | -          | -                       | -            | -                      | -            | -                      | -              | -                      |              |                        |                |                      |  |                       |  |                         |  |                         |  |                       |  |                         |  |                         |  |
| GD <sup>2</sup>          |                      | [kg·m <sup>2</sup> ] | 0.0019                | 0.0020       | 0.0021       | 0.0005       | 0.0021                | 0.0025       | 0.0028                | 0.0027       | 0.0035                | 0.0034       | 0.0035                  | 0.0050       | 0.0042                  | 0.0055       | 0.0090                  | 0.0150       | 0.0090                  | 0.0170     | 0.0170                  | 0.0230       | 0.0430                 | 0.0430       | 0.0510                 | 0.0890         | 0.0890                 |              |                        |                |                      |  |                       |  |                         |  |                         |  |                       |  |                         |  |                         |  |
| Voltage                  |                      | [V]                  | 230                   | 230          | 230          | 230          | 230                   | 230          | 400                   | 400          | 400                   | 400          | 400                     | 400          | 400                     | 400/690      | 400/690                 | 400/690      | 400/690                 | 400/690    | 400/690                 | 400/690      | 400/690                | 400/690      | 400/690                | 400/690        | 400/690                |              |                        |                |                      |  |                       |  |                         |  |                         |  |                       |  |                         |  |                         |  |
| Load                     | 0%                   | Current              | -                     | -            | -            | -            | -                     | -            | -                     | -            | -                     | -            | -                       | -            | -                       | -            | -                       | -            | -                       | -          | -                       | -            | -                      | -            | -                      | -              | -                      | -            |                        |                |                      |  |                       |  |                         |  |                         |  |                       |  |                         |  |                         |  |
|                          |                      | Power                | -                     | -            | -            | -            | -                     | -            | -                     | -            | -                     | -            | -                       | -            | -                       | -            | -                       | -            | -                       | -          | -                       | -            | -                      | -            | -                      | -              | -                      | -            | -                      |                |                      |  |                       |  |                         |  |                         |  |                       |  |                         |  |                         |  |
|                          |                      | Efficiency           | -                     | -            | -            | -            | -                     | -            | -                     | -            | -                     | -            | -                       | -            | -                       | -            | -                       | -            | -                       | -          | -                       | -            | -                      | -            | -                      | -              | -                      | -            | -                      |                |                      |  |                       |  |                         |  |                         |  |                       |  |                         |  |                         |  |
|                          | 75%                  | Current              | -                     | -            | -            | -            | -                     | -            | -                     | -            | -                     | -            | -                       | -            | -                       | -            | -                       | -            | -                       | -          | -                       | -            | -                      | -            | -                      | -              | -                      | -            | -                      |                |                      |  |                       |  |                         |  |                         |  |                       |  |                         |  |                         |  |
|                          |                      | Power fact           | [%]                   | 72           | 72           | 72           | 72                    | 73           | 76                    | 76           | 84                    | 84           | 84                      | 86           | 87                      | 88           | 88                      | 89           | 89                      | 89         | 90                      | 90           | 91                     | 92           | 92                     | 92             | 92                     | 92           | 93                     |                |                      |  |                       |  |                         |  |                         |  |                       |  |                         |  |                         |  |
|                          |                      | Speed                | [min <sup>-1</sup> ]  | 0.97         | 0.97         | 0.97         | 0.97                  | 0.97         | 0.83                  | 0.83         | 0.82                  | 0.82         | 0.82                    | 0.82         | 0.82                    | 0.86         | 0.84                    | 0.84         | 0.84                    | 0.84       | 0.84                    | 0.84         | 0.82                   | 0.82         | 0.82                   | 0.82           | 0.87                   | 0.87         | 0.87                   |                |                      |  |                       |  |                         |  |                         |  |                       |  |                         |  |                         |  |
| 100%                     | Current              | -                    | -                     | -            | -            | -            | -                     | -            | -                     | -            | -                     | -            | -                       | -            | -                       | -            | -                       | -            | -                       | -          | -                       | -            | -                      | -            | -                      | -              | -                      | -            |                        |                |                      |  |                       |  |                         |  |                         |  |                       |  |                         |  |                         |  |
|                          | Efficiency           | [%]                  | 73                    | 73           | 73           | 73           | 73                    | 84           | 84                    | 86           | 86                    | 86           | 87                      | 88           | 89                      | 89           | 90                      | 90           | 90                      | 91         | 91                      | 92           | 92                     | 92           | 92                     | 93             | 93                     | 93           |                        |                |                      |  |                       |  |                         |  |                         |  |                       |  |                         |  |                         |  |
|                          | Power fact           | [%]                  | 0.99                  | 0.99         | 0.99         | 0.99         | 0.99                  | 0.8          | 0.8                   | 0.87         | 0.87                  | 0.87         | 0.87                    | 0.89         | 0.88                    | 0.88         | 0.88                    | 0.88         | 0.88                    | 0.88       | 0.88                    | 0.87         | 0.87                   | 0.87         | 0.87                   | 0.89           | 0.89                   |              |                        |                |                      |  |                       |  |                         |  |                         |  |                       |  |                         |  |                         |  |
| Speed                    | [min <sup>-1</sup> ] | -                    | -                     | -            | -            | -            | -                     | -            | -                     | -            | -                     | -            | -                       | -            | -                       | -            | -                       | -            | -                       | -          | -                       | -            | -                      | -            | -                      | -              | -                      |              |                        |                |                      |  |                       |  |                         |  |                         |  |                       |  |                         |  |                         |  |
| Locked Rotor Torque      |                      | [%]                  | -                     | -            | -            | -            | -                     | -            | -                     | -            | -                     | -            | -                       | -            | -                       | -            | -                       | -            | -                       | -          | -                       | -            | -                      | -            | -                      | -              | -                      |              |                        |                |                      |  |                       |  |                         |  |                         |  |                       |  |                         |  |                         |  |
| Start Current            |                      | [A]                  | 24.4                  | 21           | 35           | 35           | 42.8                  | 124.2        | 148.5                 | 193.8        | 283.2                 | 384.4        | 384.4                   | 384.4        | 384.4                   | 384.4        | 384.4                   | 384.4        | 384.4                   | 384.4      | 384.4                   | 384.4        | 384.4                  | 384.4        | 384.4                  | 384.4          | 384.4                  |              |                        |                |                      |  |                       |  |                         |  |                         |  |                       |  |                         |  |                         |  |
| Poles                    |                      |                      | 2                     |              |              |              |                       |              |                       |              |                       |              |                         |              | 2                       |              |                         |              |                         |            |                         |              |                        |              |                        |                |                        |              |                        |                |                      |  |                       |  |                         |  |                         |  |                       |  |                         |  |                         |  |
| Phase                    |                      |                      | 1                     |              |              |              |                       |              |                       |              |                       |              |                         |              | 3                       |              |                         |              |                         |            |                         |              |                        |              |                        |                |                        |              |                        |                |                      |  |                       |  |                         |  |                         |  |                       |  |                         |  |                         |  |
| No. starts per hour      |                      |                      | 1                     |              |              |              |                       |              |                       |              |                       |              |                         |              | 15                      |              |                         |              |                         |            |                         |              |                        |              |                        |                |                        |              |                        |                |                      |  |                       |  |                         |  |                         |  |                       |  |                         |  |                         |  |
| Motor Model              |                      |                      | M272M-1.1-230/50VY-IE |              |              |              | M271M-1.1-230/50VY-IE |              | M271M-1.5-230/50VY-IE |              | M271M-1.9-230/50VY-IE |              | M272T-1.1-400/50VNH-IE3 |              | M272T-1.4-400/50VNH-IE3 |              | M271T-1.6-400/50VNH-IE3 |              | M271T-2.4-400/50VNH-IE3 |            | M209T-3.1-400/50VNH-IE3 |              | M210T-4.2-400/50VY-IE3 |              | M210T-5.4-400/50VY-IE3 |                | M211T-6.5-400/50VY-IE3 |              | M211T-7.5-400/50VY-IE3 |                | M213T-9-400/50VY-IE3 |  | M213T-11-400/50VY-IE3 |  | M213T-13.8-400/50VY-IE3 |  | M213T-14.9-400/50VY-IE3 |  | M216T-20-400/50VY-IE3 |  | M216T-22.4-400/50VY-IE3 |  | M216T-25.1-400/50VY-IE3 |  |
| Pump Type                |                      |                      | 40DRS11M2CG           | 40DRS511M2BG | 40DRS511M2AG | 40DRS512M2CG | 40DRS515M2BG          | 40DRS519M2AG | 40DRS511T2CG          | 40DRS511T2BG | 40DRS514T2AG          | 40DRS516T2CG | 40DRS516T2BG            | 40DRS516T2AG | 40DRS524T2AG            | 40DRS531T2BG | 40DRS531T2AG            | 40DRS544T2CG | 40RS55T2BG              | 40RS55T2AG | 60DRS565T2CG            | 60DRS574T2BG | 60DRS59T2DG            | 60DRS511T2CG | 60DRS513.8T2BG         | 60DRS513.8T2AG | 60DRS514.9T2CG         | 60DRS520T2BG | 60DRS524T2AG           | 60DRS525.1T2AG |                      |  |                       |  |                         |  |                         |  |                       |  |                         |  |                         |  |

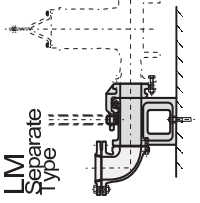
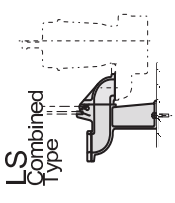
DRD (3.1÷14.0 kW) MOTOR DATA

|                          |                     |                      |                        |                        |                      |                      |                        |                       |                        |                        |                        |                        |                        |                       |                       |                         |                         |                         |                       |                      |                      |                       |                       |               |       |   |
|--------------------------|---------------------|----------------------|------------------------|------------------------|----------------------|----------------------|------------------------|-----------------------|------------------------|------------------------|------------------------|------------------------|------------------------|-----------------------|-----------------------|-------------------------|-------------------------|-------------------------|-----------------------|----------------------|----------------------|-----------------------|-----------------------|---------------|-------|---|
| Output [P <sub>2</sub> ] |                     | [kW]                 | 3.1                    | 3.6                    | 5.0                  | 6.0                  | 7.5                    | 2.7                   | 2.8                    | 4.6                    | 4.6                    | 7.1                    | 7.5                    | 10.0                  | 10.0                  | 12.0                    | 14.9                    | 16.6                    | 18.2                  | 20.0                 | 6.0                  | 8.0                   | 12.0                  | 14.0          |       |   |
| Resistance at 20° C      |                     | [Ω]                  | -                      | -                      | -                    | -                    | -                      | -                     | -                      | -                      | -                      | -                      | -                      | -                     | -                     | -                       | -                       | -                       | -                     | -                    | -                    | -                     | -                     | -             |       |   |
| GD <sup>2</sup>          |                     | [kg·m <sup>2</sup> ] | 0.0086                 | 0.0055                 | 0.0117               | 0.0118               | 0.0222                 | 0.1050                | 0.1050                 | 0.0719                 | 0.0210                 | 0.1183                 | 0.0390                 | 0.1188                | 0.0390                | 0.0230                  | 0.0556                  | 0.0430                  | 0.0655                | 0.0664               | 0.2800               | 0.3220                | 0.5034                | 0.5602        |       |   |
| Voltage                  |                     | [V]                  | 400                    | 400                    | 400/690              | 400/690              | 400/690                | 400                   | 400/690                | 400/690                | 400/690                | 400/690                | 400/690                | 400/690               | 400/690               | 400/690                 | 400/690                 | 400/690                 | 400/690               | 400/690              | 400/690              | 400/690               | 400/690               | 400/690       |       |   |
| Load                     | 0%                  | Current              | [A]                    | -                      | -                    | -                    | -                      | -                     | -                      | -                      | -                      | -                      | -                      | -                     | -                     | -                       | -                       | -                       | -                     | -                    | -                    | -                     | -                     | -             |       |   |
|                          |                     | Power                | [W]                    | -                      | -                    | -                    | -                      | -                     | -                      | -                      | -                      | -                      | -                      | -                     | -                     | -                       | -                       | -                       | -                     | -                    | -                    | -                     | -                     | -             | -     |   |
|                          |                     | Current              | [A]                    | -                      | -                    | -                    | -                      | -                     | -                      | -                      | -                      | -                      | -                      | -                     | -                     | -                       | -                       | -                       | -                     | -                    | -                    | -                     | -                     | -             | -     |   |
|                          | 75%                 | Efficiency           | [%]                    | 87                     | 87                   | 89                   | 89                     | 90                    | 86                     | 86                     | 89                     | 84                     | 90                     | 90                    | 91                    | 91                      | 91                      | 92                      | 92                    | 92                   | 92                   | 88                    | 89                    | 90            | 91    |   |
|                          |                     | Power factor         | [-]                    | 0.86                   | 0.84                 | 0.84                 | 0.84                   | 0.84                  | 0.72                   | 0.72                   | 0.74                   | 0.82                   | 0.76                   | 0.76                  | 0.76                  | 0.76                    | 0.82                    | 0.82                    | 0.82                  | 0.82                 | 0.82                 | 0.73                  | 0.75                  | 0.79          | 0.79  |   |
|                          |                     | Speed                | [min <sup>-1</sup> ]   | -                      | -                    | -                    | -                      | -                     | -                      | -                      | -                      | -                      | -                      | -                     | -                     | -                       | -                       | -                       | -                     | -                    | -                    | -                     | -                     | -             | -     | - |
|                          | 100%                | Current              | [A]                    | -                      | -                    | -                    | -                      | -                     | -                      | -                      | -                      | -                      | -                      | -                     | -                     | -                       | -                       | -                       | -                     | -                    | -                    | -                     | -                     | -             | -     |   |
|                          |                     | Efficiency           | [%]                    | 88                     | 89                   | 90                   | 90                     | 91                    | 87                     | 87                     | 90                     | 86                     | 91                     | 91                    | 91                    | 91                      | 92                      | 92                      | 92                    | 93                   | 93                   | 88                    | 90                    | 91            | 92    |   |
|                          |                     | Power factor         | [-]                    | 0.88                   | 0.88                 | 0.88                 | 0.88                   | 0.88                  | 0.77                   | 0.77                   | 0.80                   | 0.87                   | 0.93                   | 0.93                  | 0.83                  | 0.83                    | 0.87                    | 0.87                    | 0.87                  | 0.87                 | 0.87                 | 0.81                  | 0.81                  | 0.83          | 0.84  |   |
|                          | Speed               | [min <sup>-1</sup> ] | -                      | -                      | -                    | -                    | -                      | -                     | -                      | -                      | -                      | -                      | -                      | -                     | -                     | -                       | -                       | -                       | -                     | -                    | -                    | -                     | -                     | -             | -     |   |
|                          | Locked Rotor Torque |                      | [%]                    | -                      | -                    | -                    | -                      | -                     | -                      | -                      | -                      | -                      | -                      | -                     | -                     | -                       | -                       | -                       | -                     | -                    | -                    | -                     | -                     | -             | -     |   |
|                          | Start Current       |                      | [A]                    | 34.2                   | 38.9                 | 53.7                 | 64.3                   | 79.6                  | 33.6                   | 34.8                   | 46.5                   | 46.5                   | 79.6                   | 84.4                  | 112.1                 | 112.1                   | 128.0                   | 158.1                   | 175.8                 | 192.3                | 211.2                | 70.8                  | 93.2                  | 135.1         | 154.6 |   |
| Poles                    |                     |                      | 2                      |                        |                      |                      |                        |                       | 6                      |                        |                        | 4                      |                        |                       |                       | 2                       |                         |                         | 6                     |                      |                      |                       |                       |               |       |   |
| Phase                    |                     |                      | 3                      |                        |                      |                      |                        |                       |                        |                        |                        |                        |                        |                       |                       |                         |                         |                         |                       |                      |                      |                       |                       |               |       |   |
| No. starts per hour      |                     |                      | 15                     |                        |                      |                      |                        |                       |                        |                        |                        |                        |                        |                       |                       |                         |                         |                         |                       |                      |                      |                       |                       |               |       |   |
| Motor Model              |                     |                      | M209T-3.1-400/50Nn-IE3 | M209T-3.6-400/50Nn-IE3 | M210T-5-400/50YY-IE3 | M210T-6-400/50YY-IE3 | M211T-7.5-400/50YY-IE3 | M609-2.7-400/50Nn-IE3 | M610T-2.8-400/50YY-IE3 | M610T-4.6-400/50YY-IE3 | M610T-4.6-400/50YY-IE3 | M411T-7.1-400/50YY-IE3 | M411T-7.5-400/50YY-IE3 | M413T-10-400/50YY-IE3 | M213T-12-400/50YY-IE3 | M213T-14.9-400/50YY-IE3 | M213T-16.6-400/50YY-IE3 | M213T-18.2-400/50YY-IE3 | M216T-20-400/50YY-IE3 | M611T-6-400/50YY-IE3 | M613T-8-400-50YY-IE3 | M616T-12-400/50YY-IE3 | M616T-14-400/50YY-IE3 | M616T-14T8BG  |       |   |
| Pump Type                |                     |                      | 65DRD53.1T2CG          | 65DRD53.6T2BG          | 80DRD55T2BG          | 80DRD56T2AG          | 40DRS51.5M2BG          | 100DRD52.7T6AG        | 40DRS51.1T2CG          | 100DRD54.6T4CG         | 100DRD54.6T4BG         | 100DRD57.1T4BG         | 100DRD57.5T4FG         | 100DRD51.0T4AG        | 100DRD51.0T4FG        | 100DRD512T2DG           | 100DRD514.9T2CG         | 100DRD516.6T2BG         | 100DRD518.2T2AG       | 100DRD520T2AG        | 150DRD56T6CG         | 150DRD56T6BG          | 150DRD512T6AG         | 150DRD514T8BG |       |   |

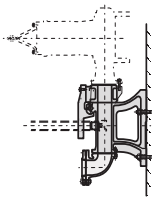


**QDC SELECTION TABLE**

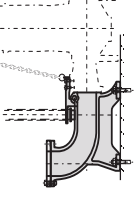
| QDC Model    | Size               |                      |            |                    | Applicable Model    |                     |                        |                          | DML (V)                    |
|--------------|--------------------|----------------------|------------|--------------------|---------------------|---------------------|------------------------|--------------------------|----------------------------|
|              | Discharge Flange Ø | Discharge Elbow Ø    | QDC Body Ø | Volute Flange Ø    | DS                  | DVS                 | DLW/C                  | DL                       |                            |
| <b>LS50</b>  | 50                 | 50x50                | 50         | 50                 | 50DS<br>1.5 kW      | 50DVS<br>1.5 kW     |                        |                          |                            |
|              | 50                 |                      | 50         | 50DS<br>2.2÷3.7 kW |                     |                     |                        |                          |                            |
| <b>LM65</b>  | 65                 | 65x65                | 65         | 65                 | 65DS<br>1.5 kW      | 65DVS<br>1.5÷3.7 kW | 65DLW/C<br>1.5 kW      | 65DL<br>1.5 kW           |                            |
|              | 80                 | 65x80                | 65         | 65                 |                     | 80DVS<br>1.5÷3.7 kW |                        |                          |                            |
| <b>LM80</b>  | 80                 | 80x80                | 80         | 80                 | 80DS<br>2.2÷3.7 kW  |                     | 80DLW/C<br>1.5÷3.7 kW  | 80DL<br>1.5÷3.7 kW       | 80&100DML(V)<br>2.2÷3.7 kW |
|              | 80                 | 80x80                | 80         | 80                 |                     |                     |                        | 80DLC<br>5.5÷7.5 kW      |                            |
| <b>LL80</b>  | 100                | 80x100               | 80         | 80                 |                     |                     |                        | 100DLC<br>5.5÷7.5 kW     |                            |
|              | 100                | 100x100              | 100        | 100                | 100DS<br>5.5÷7.5 kW |                     | 100DLW/C<br>3.7÷7.5 kW | 100DL&DLB<br>3.7÷18.5 kW | 100DML(V)<br>5.5÷22 kW     |
| <b>LL100</b> | 150                | 100x150              | 100        | 100                |                     |                     |                        |                          | 150DML<br>5.5÷22 kW        |
|              | 150                | 125x150              | 125        | 125                |                     |                     |                        | 150DL<br>5.5÷22 kW       |                            |
| <b>LL125</b> | 150                | 150x150              | 150        | 150                |                     |                     |                        | 150DL<br>30÷45 kW        |                            |
|              | 200                | 150x200              | 150        | 150                |                     |                     |                        | 200DL<br>5.5÷45 kW       |                            |
| <b>LL150</b> | 250                | (Reducer)<br>300x250 | 200x250    | 200                |                     |                     |                        | 250DL<br>7.5÷22 kW       |                            |
|              | 250                |                      | 250x300    | 250                |                     |                     |                        | 300DL<br>30÷45 kW        |                            |
| <b>LL300</b> | 300                | 250x300              | 250x300    | 250                |                     |                     |                        | 300DL<br>11÷45 kW        |                            |



LL Separate Type



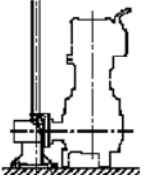
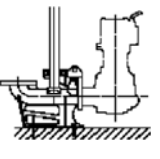
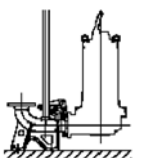
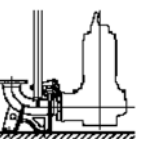
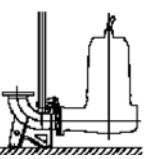
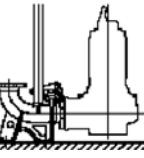
LL Combined Type



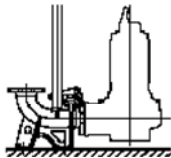
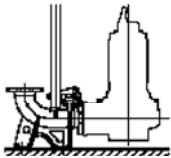
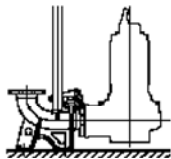
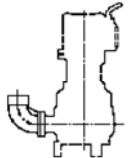

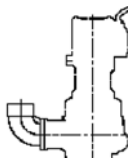
Note: The discharge elbow & companion flange are not supplied with the QDC. These items are standard accessories supplied with the pump (except for DS and DVS 1.5 kW and DL 30÷45 kW), and they are used with the QDC.  
With LS50, LL250 and LL300 the Discharge Elbow is not necessary, because it is included in the QDC body.



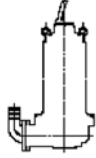
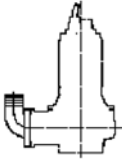
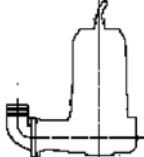

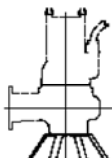
QDC, ELBOW, TRIPOD AND FLANGE SELECTION TABLE

|                                                                                     | MODEL                                                  | APPLICABLE MODEL                              |                                         |                                                         |                                                                                                                                                                                                                                                                            |                                                                                                                                                                                                                                                                                    |
|-------------------------------------------------------------------------------------|--------------------------------------------------------|-----------------------------------------------|-----------------------------------------|---------------------------------------------------------|----------------------------------------------------------------------------------------------------------------------------------------------------------------------------------------------------------------------------------------------------------------------------|------------------------------------------------------------------------------------------------------------------------------------------------------------------------------------------------------------------------------------------------------------------------------------|
|                                                                                     |                                                        | DSF                                           | DMLF                                    | DMLVF                                                   | DRS                                                                                                                                                                                                                                                                        | DRD                                                                                                                                                                                                                                                                                |
|    | GPA DN50T                                              | 40DSF51.5M2CG<br>40DSF51.9M2AG<br>40DSF56T2AG | 50DMLF51.4M2BG                          | 50DMLVF51.5M2CG<br>50DMLVF51.5M2BG<br>50DMLVF51.9M2AG   | 40DRS51.1M2CG<br>40DRS51.1M2BG<br>40DRS51.1M2AG<br>40DRS51.2M2CG<br>40DRS51.5M2BG<br>40DRS51.9M2AG<br>40DRS51.1T2CG<br>40DRS51.1T2BG<br>40DRS51.1T2AG<br>40DRS51.6T2CG<br>40DRS51.6T2BG<br>40DRS52.4T2AG<br>40DRS53.1T2BG<br>40DRS53.1T2AG<br>40DRS54.2T2CG<br>40DRS55T2BG |                                                                                                                                                                                                                                                                                    |
|    | GPA DN65/8 (*)<br>GPA DN65/15 (**)<br>GPA DN65/L (***) |                                               | (*)<br>65DMLF51.5M2AG<br>65DMLF51.9M2BG | (*)<br>65DMLVF51.5M2CG                                  | (**)<br>65DRS57.5T2BG<br>65DRS56.5T2CG<br>65DRS59T2DG<br>65DRS511T2CG<br>65DRS513.8T2BG<br>65DRS513.8T2AG<br>65DRS514.9T2GG<br>65DRS520T2BG<br>65DRS522.4T2AG<br>65DRS525.1T2AG                                                                                            | (***)<br>65DRD53.1T2CG<br>65DRD53.6T2BG                                                                                                                                                                                                                                            |
|   | GPA DN80/L                                             |                                               |                                         | 80DMLVF54.9T4AG<br>80DMLVF516.6T2BG<br>80DMLVF518.2T2DG |                                                                                                                                                                                                                                                                            | 80DRD55T2BG<br>80DRD56T2AG<br>80DRD57.5T2AG                                                                                                                                                                                                                                        |
|  | GPA DN100/L                                            |                                               |                                         | 100DMLVF55.2T6BG                                        |                                                                                                                                                                                                                                                                            | 100DRD52.8T6AG<br>100DRD54.6T4CG<br>100DRD54.6T4BG<br>100DRD57.1T4BG<br>100DRD57.5T4FG<br>100DRD510T4FG<br>100DRD510T4AG<br>100DRD512T2DG<br>100DRD514.9T2CG<br>100DRD516.6T2BG<br>100DRD518.2T2AG<br>100DRD520T2AG                                                                |
|  | GPA DN150/L                                            |                                               |                                         |                                                         |                                                                                                                                                                                                                                                                            | 150DRD540.2T2BG<br>150DRD552T2CG<br>150DRD56T6CG<br>150DRD58T6BG<br>150DRD512T6AG<br>150DRD514T6BG<br>150DRD523T4CG<br>150DRD527T4BG<br>150DRD527T4AG<br>150DRD530T4BG<br>150DRD530.1T4BG<br>150DRD535T2AG<br>150DRD535.7T4EG<br>150DRD535.7T4AG<br>150DRD541T4AG<br>150DRD560T4GG |
|  | GPA DN200                                              |                                               |                                         |                                                         |                                                                                                                                                                                                                                                                            | 200DRD56T8AG<br>200DRD56.2T8CG<br>200DRD58T8AG<br>200DRD59.3T8CG<br>200DRD59.3T8BG<br>200DRD59.8T6CG<br>200DRD514T6BG<br>200DRD514T6AG<br>200DRD515.8T6CG<br>200DRD518.9T6BG<br>200DRD523T6AG<br>200DRD540T4CG<br>200DRD544T4BG<br>200DRD548T4AG                                   |

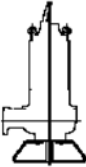
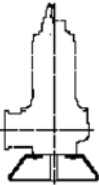
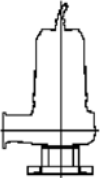
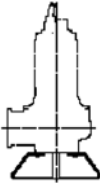
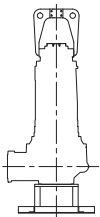
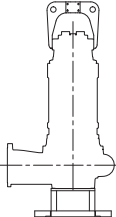
QDC, ELBOW, TRIPOD AND FLANGE SELECTION TABLE

|                                                                                     | MODEL       | APPLICABLE MODEL                              |                                  |                                                       |                                                                                                                                                                                                                                                                              |                                                                                                                                                                                                                  |
|-------------------------------------------------------------------------------------|-------------|-----------------------------------------------|----------------------------------|-------------------------------------------------------|------------------------------------------------------------------------------------------------------------------------------------------------------------------------------------------------------------------------------------------------------------------------------|------------------------------------------------------------------------------------------------------------------------------------------------------------------------------------------------------------------|
|                                                                                     |             | DSF                                           | DMLF                             | DMLVF                                                 | DRS                                                                                                                                                                                                                                                                          | DRD                                                                                                                                                                                                              |
|    | GPA DN250/L | -                                             | -                                | -                                                     | -                                                                                                                                                                                                                                                                            | 250DRD512.4T8DG<br>250DRD517.1T8CG<br>250DRD519T8AG<br>250DRD515T4AG<br>250DRD523T6DG<br>250DRD529T6CG<br>250DRD539.2T6BG<br>250DRD539.2T6AG<br>250DRD565T4DG<br>250DRD575T4CG<br>250DRD575T4BG<br>250DRD585T4AG |
|    | GPA DN300   | -                                             | -                                | -                                                     | -                                                                                                                                                                                                                                                                            | 300DRD521.8T8BG<br>300DRD526.7T8CG<br>300DRD533.4T6DG<br>300DRD539.2T6CG<br>300DRD555.8T6BG<br>300DRD565T6AG                                                                                                     |
|   | GPA DN350/L | -                                             | -                                | -                                                     | -                                                                                                                                                                                                                                                                            | 350DRD540T8CG<br>350DRD545T8AG                                                                                                                                                                                   |
|  | GCF2        | 40DSF51.5M2CG<br>40DSF51.9M2AG<br>40DSF56T2AG | 50DMLF51.4M2BG                   | 50DMLVF51.5M2CG<br>50DMLVF51.5M2BG<br>50DMLVF51.9M2AG | 40DRSS1.1M2CG<br>40DRSS1.1M2BG<br>40DRSS1.1M2AG<br>40DRSS1.2M2CG<br>40DRSS1.5M2BG<br>40DRSS1.9M2AG<br>40DRSS1.1T2CG<br>40DRSS1.1T2BG<br>40DRSS1.4T2AG<br>40DRSS1.6T2CG<br>40DRSS1.6T2BG<br>40DRSS2.4T2AG<br>40DRSS3.1T2BG<br>40DRSS3.1T2AG<br>40DRSS4.2T2CG<br>40DRSS4.2T2BG | -                                                                                                                                                                                                                |
|  | GC DN65     | -                                             | -                                | -                                                     | 65DRSS7.5T2BG<br>65DRSS6.5T2CG<br>65DRSS9T2DG<br>65DRSS11T2CG<br>65DRSS13.8T2BG<br>65DRSS13.8T2AG<br>65DRSS14.9T2GG<br>65DRSS20T2BG<br>65DRSS22.4T2AG<br>65DRSS25.1T2AG                                                                                                      | 65DRD53.1T2CG<br>65DRD53.6T2BG                                                                                                                                                                                   |
|  | GCF2.1/2    | -                                             | 65DMLF51.5M2AG<br>65DMLF51.9M2BG | 65DMLVF51.5M2CG                                       | -                                                                                                                                                                                                                                                                            | -                                                                                                                                                                                                                |

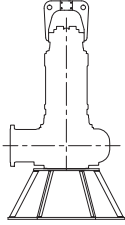
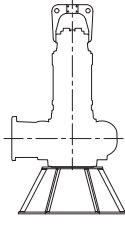
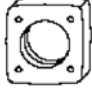
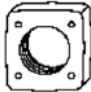
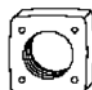
QDC, ELBOW, TRIPOD AND FLANGE SELECTION TABLE

|                                                                                     | MODEL      | APPLICABLE MODEL |      |                                     |     |                                                                                                                                                                                                                                                                                    |
|-------------------------------------------------------------------------------------|------------|------------------|------|-------------------------------------|-----|------------------------------------------------------------------------------------------------------------------------------------------------------------------------------------------------------------------------------------------------------------------------------------|
|                                                                                     |            | DSF              | DMLF | DMLVF                               | DRS | DRD                                                                                                                                                                                                                                                                                |
|    | GC DN80/L  | -                | -    | 80DMLVF516.6T2BG                    | -   | 80DRD55T2BG<br>80DRD56T2AG                                                                                                                                                                                                                                                         |
|    | GC DN100/L | -                | -    | 100DMLVF55.2T6BG                    | -   | 100DRD52.7T6AG<br>100DRD52.8T6AG<br>100DRD54.6T4CG<br>100DRD54.6T4BG<br>100DRD57.1T4BG<br>100DRD57.5T4FG<br>100DRD510T4FG<br>100DRD510T4AG<br>100DRD512T2DG<br>100DRD514.9T2CG<br>100DRD516.6T2BG<br>100DRD518.2T2AG<br>100DRD520T2AG                                              |
|   | GC DN150/L | -                | -    | -                                   | -   | 150DRD540.2T2BG<br>150DRD552T2CG<br>150DRD56T6CG<br>150DRD58T6BG<br>150DRD512T6AG<br>150DRD514T6BG<br>150DRD523T4CG<br>150DRD527T4BG<br>150DRD527T4AG<br>150DRD530T4BG<br>150DRD530.1T4BG<br>150DRD535T2AG<br>150DRD535.7T4EG<br>150DRD535.7T4AG<br>150DRD541T4AG<br>150DRD560T4GG |
|  | PAP65SP02  | -                | -    | 65DMLVF51.5M2CG                     | -   | -                                                                                                                                                                                                                                                                                  |
|  | PAPDN80/L  | -                | -    | 80DMLVF54.9T4AG<br>80DMLVF516.6T2BG | -   | 65DRD53.1T2CG<br>65DRD53.6T2BG<br>80DRD55T2BG<br>80DRD56T2AG                                                                                                                                                                                                                       |

QDC, ELBOW, TRIPOD AND FLANGE SELECTION TABLE

|                                                                                     | MODEL                            | APPLICABLE MODEL |      |                  |                                                                                                                                              |                                                                                                                                                                                                                                                                                    |
|-------------------------------------------------------------------------------------|----------------------------------|------------------|------|------------------|----------------------------------------------------------------------------------------------------------------------------------------------|------------------------------------------------------------------------------------------------------------------------------------------------------------------------------------------------------------------------------------------------------------------------------------|
|                                                                                     |                                  | DSF              | DMLF | DMLVF            | DRS                                                                                                                                          | DRD                                                                                                                                                                                                                                                                                |
|    | PAPDN100NP07                     | -                | -    | 80DMLVF518.2T2DG |                                                                                                                                              | 80DRD57.5T2AG                                                                                                                                                                                                                                                                      |
|    | PAPDN125NP07                     | -                | -    | 100DMLVF55.2T6BG | 65DRS57.5T2BG<br>65DRS56.5T2CG                                                                                                               | 100DRD52.7T6AG<br>100DRD52.8T6AG<br>100DRD54.6T4CG<br>100DRD54.6T4BG<br>100DRD57.1T4BG<br>100DRD57.5T4FG<br>100DRD510T4FG<br>100DRD510T4AG<br>100DRD512T2DG<br>100DRD514.9T2CG<br>100DRD516.6T2BG<br>100DRD518.2T2AG<br>100DRD520T2AG                                              |
|   | PAPDN150SP07(*)<br>PAPDN150 (**) | -                | -    | -                | (*)<br>65DRS59T2DG<br>65DRS511T2CG<br>65DRS513.8T2BG<br>65DRS513.8T2AG<br>65DRS514.9T2GG<br>65DRS520T2BG<br>65DRS522.4T2AG<br>65DRS525.1T2AG | (**)<br>150DRD540.2T2BG<br>150DRD552T2CG<br>150DRD512T6AG<br>150DRD514T6BG<br>150DRD523T4CG<br>150DRD527T4BG<br>150DRD527T4AG<br>150DRD530T4BG<br>150DRD530.1T4BG<br>150DRD535T2AG<br>150DRD535.7T4EG<br>150DRD535.7T4AG<br>150DRD541T4AG                                          |
|  | PAPDN200                         | -                | -    | -                | -                                                                                                                                            | 150DRD56T6CG<br>150DRD58T6BG                                                                                                                                                                                                                                                       |
|  | PAPDN200                         | -                | -    | -                | -                                                                                                                                            | 150DRD560T4GG<br>150DRD575T4CG<br>150DRD580T4BG<br>150DRD580T4AG<br>200DRD56T8AG<br>200DRD56.2T8CG<br>200DRD58T8AG<br>200DRD59.3T8CG<br>200DRD59.3T8BG<br>200DRD59.8T6CG<br>200DRD514T6BG<br>200DRD514T6AG<br>200DRD515.8T6CG<br>200DRD518.9T6BG<br>200DRD523T6AG<br>200DRD540T4CG |
|  | PAPDN250                         | -                | -    | -                | -                                                                                                                                            | 250DRD512.4T8DG<br>250DRD517.1T8CG<br>250DRD519T8AG<br>250DRD515T4AG<br>250DRD523T6DG<br>250DRD529T6CG<br>250DRD539.2T6BG<br>250DRD539.2T6AG<br>250DRD565T4DG<br>250DRD575T4CG<br>250DRD575T4BG<br>250DRD585T4AG                                                                   |

**QDC, ELBOW,TRIPOD AND FLANGE SELECTION TABLE**

|                                                                                     | MODEL    | APPLICABLE MODEL                              |                                  |                                                       |                                                                                                                                                                                                                                                         |                                                                                                              |
|-------------------------------------------------------------------------------------|----------|-----------------------------------------------|----------------------------------|-------------------------------------------------------|---------------------------------------------------------------------------------------------------------------------------------------------------------------------------------------------------------------------------------------------------------|--------------------------------------------------------------------------------------------------------------|
|                                                                                     |          | DSF                                           | DMLF                             | DMLVF                                                 | DRS                                                                                                                                                                                                                                                     | DRD                                                                                                          |
|    | PAPDN300 | -                                             | -                                | -                                                     | -                                                                                                                                                                                                                                                       | 300DRD521.8T88G<br>300DRD526.7T8CG<br>300DRD533.4T6DG<br>300DRD539.2T6CG<br>300DRD555.8T6BG<br>300DRD565T6AG |
|    | PAPDN400 | -                                             | -                                | -                                                     | -                                                                                                                                                                                                                                                       | 350DRD540T8CG<br>350DRD545T8AG                                                                               |
|  | GF1.1/2T | 40DSF51.5M2CG<br>40DSF51.9M2AG<br>40DSF56T2AG | -                                | -                                                     | 40DRS51.2M2CG<br>40DRS51.5M2BG<br>40DRS51.9M2AG<br>40DRS51.1T2CG<br>40DRS51.1T2BG<br>40DRS51.4T2AG<br>40DRS51.6T2CG<br>40DRS51.6T2BG<br>40DRS52.4T2AG<br>40DRS53.1T2BG<br>40DRS53.1T2AG<br>40DRS53.1T2AG<br>40DRS54.2T2CG<br>40DRS55T2BG<br>40DRS55T2AG | -                                                                                                            |
|  | GF2      | -                                             | 50DMLF51.4M2BG                   | 50DMLVF51.5M2CG<br>50DMLVF51.5M2BG<br>50DMLVF51.9M2AG | -                                                                                                                                                                                                                                                       | -                                                                                                            |
|  | GF2.1/2T | -                                             | 65DMLF51.5M2AG<br>65DMLF51.9M2BG | 65DMLVF51.5M2CG                                       | -                                                                                                                                                                                                                                                       | -                                                                                                            |