



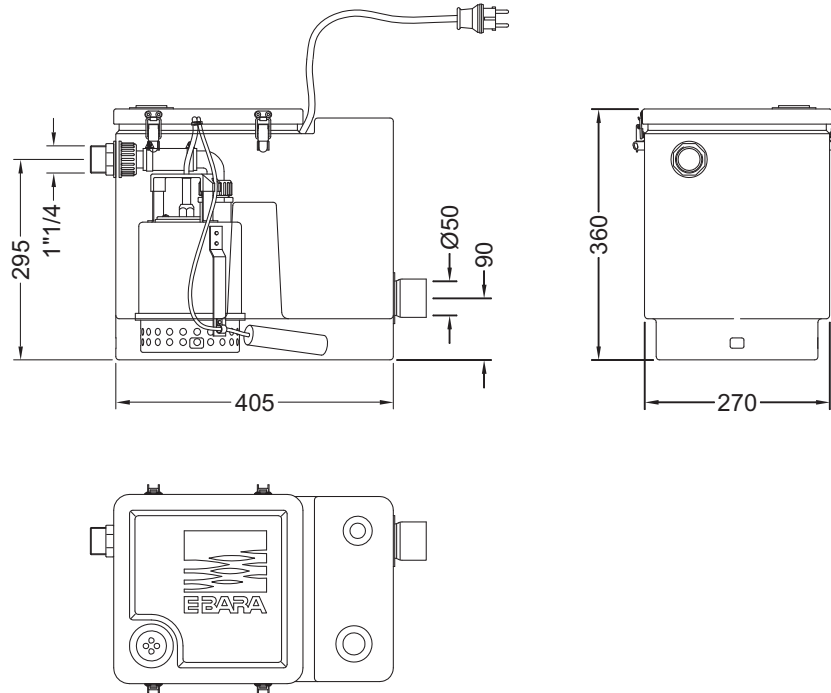
**EBARA**

	Page
<b>- SPECIFICATIONS</b>	<b>200</b>
<b>- DIMENSIONS AND WEIGHT</b>	<b>400</b>
BEST BOX D	400
BEST BOX L	400
BEST BOX G	401

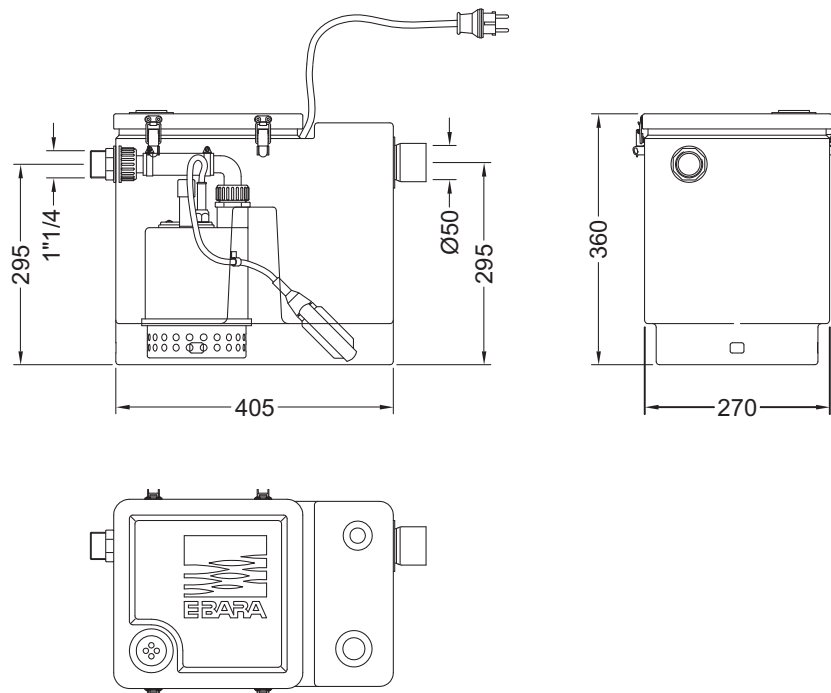
MODEL		BEST BOX G	BEST BOX L	BEST BOX D
Liquid Handled	Type of liquid	Dirty water, Rainwater	Water for domestic use	Water from the shower
	Max temperature [°C]	50		
	Max solids size [mm]	20	10	
Tank capacity [l]		30		
Pipe Connection	Inlet	Grid	DN50	
	Outlet	1"1/4		
Material	Casing	High density polyethylene		
Pump kit	Type (Single phase)	BEST ONE VOX*	BEST ONE*	
	Piping	1"1/4 discharge pipe		
Number of pumps that can be installed		1		

\* For Technical Data and Performance Curve of BEST ONE and BEST ONE VOX see the pumps Data Book.

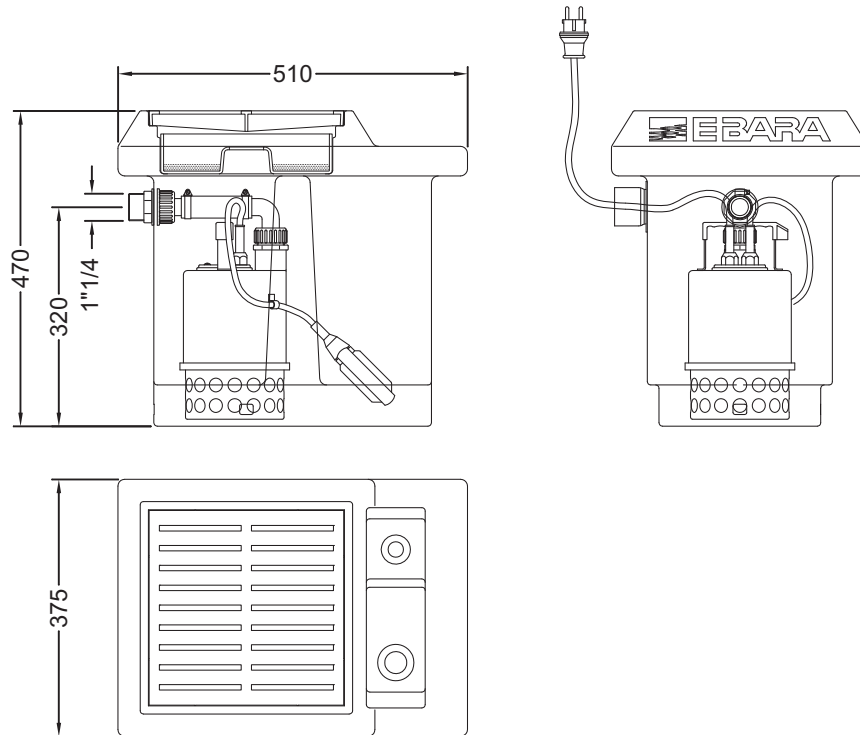
### BEST BOX D



### BEST BOX L



## BEST BOX G



Type	Weight without pump [kgf]
BEST BOX G	10
BEST BOX L	7
BEST BOX D	7